



US00D950842S

(12) **United States Design Patent** (10) **Patent No.:** **US D950,842 S**
Yan (45) **Date of Patent:** **** May 3, 2022**

(54) **VAPORIZING DEVICE**
(71) Applicant: **NJOY, LLC**, Scottsdale, AZ (US)
(72) Inventor: **Simon Yan**, New York, NY (US)
(73) Assignee: **NJOY, LLC**, Scottsdale, AZ (US)
(**) Term: **15 Years**
(21) Appl. No.: **29/781,077**
(22) Filed: **Apr. 28, 2021**

D850,710 S † 6/2019 Wu D27/101
D852,408 S † 6/2019 Nettenstrom D27/101
D853,632 S † 7/2019 Qiu D27/101
D858,745 S † 9/2019 Kurgan D24/110
D863,670 S † 10/2019 He D27/162
(Continued)

FOREIGN PATENT DOCUMENTS

CN 304538299 † 3/2018
CN 304680036 † 6/2018
(Continued)

OTHER PUBLICATIONS

Smoke Filter By: Smoke Trap found on Amazon Sep. 10, 2021
https://www.amazon.com/Smoke-Trap-Personal-Filter-Black/dp/B07LC6ND83/ref=sr_1_27_sspa?crd= Dec. 31, 2018.*
(Continued)

Primary Examiner — Marissa J Cash
Assistant Examiner — Rebecca Tsehaye
(74) *Attorney, Agent, or Firm* — Bookoff McAndrews, PLLC

(57) **CLAIM**

The ornamental design for a vaporizing device, as shown as described.

DESCRIPTION

FIG. 1 is a perspective view of the vaporizing device;
FIG. 2 is a front view thereof;
FIG. 3 is a back view thereof;
FIG. 4 is a left side view thereof;
FIG. 5 is a right side view thereof;
FIG. 6 is a top view thereof; and,
FIG. 7 is a bottom view thereof.
The broken lines in the drawings depict portions of the vaporizing device that form no part of the claimed design.

1 Claim, 5 Drawing Sheets

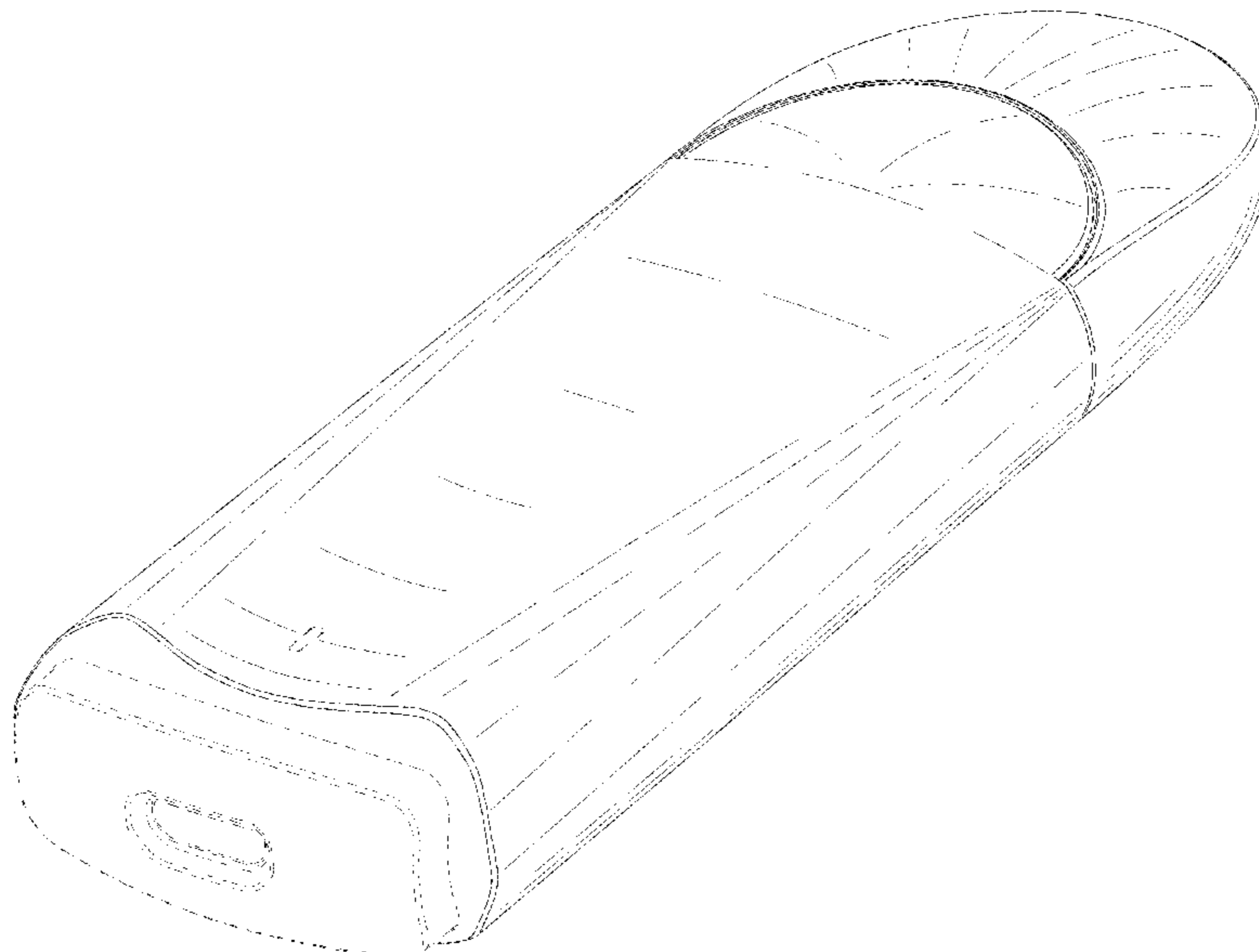
Related U.S. Application Data

(63) Continuation of application No. 29/694,797, filed on Jun. 13, 2019, now Pat. No. Des. 921,282.
(51) **LOC (13) Cl.** **27-02**
(52) **U.S. Cl.**
USPC **D27/162**
(58) **Field of Classification Search**
USPC D27/162, 100, 101, 163–165, 172,
D27/174–176, 183, 185–194; D24/110,
D24/110.5; D23/366
CPC A24F 47/002; A24F 47/006; A24F 47/008;
A61M 15/00; A61M 15/06
See application file for complete search history.

(56) **References Cited**

U.S. PATENT DOCUMENTS

D688,938 S * 9/2013 Bailey D9/428
D689,999 S * 9/2013 Viala D23/366
D737,419 S † 8/2015 Emarlou D23/360
D804,015 S † 11/2017 Lamba D24/110
D808,071 S † 1/2018 Folkerts D27/101
D820,514 S † 6/2018 Durand D27/162
D823,536 S † 7/2018 Lai D27/163
D825,834 S † 8/2018 Chen D27/101
D827,195 S † 8/2018 Chen D27/101
D846,796 S † 4/2019 Pan D27/101
D846,798 S † 4/2019 Chen D27/163



(56)

References Cited

U.S. PATENT DOCUMENTS

D863,673	S	†	10/2019	Lai	D27/162
D863,675	S	†	10/2019	Huang	D27/163
D870,369	S	†	12/2019	Greenbaum	D27/162
D874,718	S	†	2/2020	Qiu	D27/162
D876,004	S	†	2/2020	Wang	D27/101
D882,863	S	†	4/2020	Dong	D27/162
D884,267	S	†	5/2020	Wang	D27/162
D887,631	S	†	6/2020	Lai	D27/162
D892,397	S	†	8/2020	Li	D27/162
D893,094	S	*	8/2020	Wang	D27/162
D900,385	S	*	10/2020	Wang	D27/162
D902,475	S	*	11/2020	Liu	D27/162
D902,476	S	*	11/2020	Liu	D27/162
D903,936	S	†	12/2020	He	D27/162
D904,680	S	†	12/2020	Pan	D27/162
D908,953	S	*	1/2021	Fornarelli	D27/162
D918,466	S	*	5/2021	Yan	D27/162
D921,282	S	*	6/2021	Yan	D27/162
D921,975	S	*	6/2021	Tasselli	D27/162
D924,474	S	*	7/2021	Huang	D27/162
D927,195	S	†	8/2021	Wei	
D927,772	S	*	8/2021	Han	D27/162
D929,649	S	*	8/2021	Wang	D27/162
D930,235	S	*	9/2021	Liu	D27/162
D936,279	S	*	11/2021	Israel	D27/162
D937,479	S	*	11/2021	Lai	D27/162

FOREIGN PATENT DOCUMENTS

CN	304680038	†	6/2018
CN	304680040	†	6/2018
CN	304680043	†	6/2018
CN	304719186	†	7/2018
CN	304719187	†	7/2018
CN	304728075	†	7/2018
CN	304826821	†	9/2018
CN	304827366	†	9/2018
CN	304870220	†	10/2018
CN	304870616	†	10/2018
CN	304870617	†	10/2018
EM	04290500-0001	†	9/2017
EM	004354827-0001	†	11/2017
EM	004354827-0002	†	11/2017
EM	004354827-0003	†	11/2017
EM	004267011-0001	†	12/2017
EM	004547503-0001	†	1/2018
EM	004547503-0002	†	1/2018
EM	004547503-0003	†	1/2018
EM	005251352-0001	†	6/2018
EM	005253192-0001	†	6/2018
EM	005270725-0001	†	6/2018
EM	005270725-0002	†	6/2018

EM	005270725-0003	†	6/2018
EM	005270725-0004	†	6/2018
EM	005272366-0001	†	6/2018
EM	005280013-0001	†	7/2018
EM	005280013-0002	†	7/2018
EM	005280013-0003	†	7/2018
EM	005616307-0001	†	8/2018
EM	005627551-0001	†	9/2018
EM	005627551-0002	†	9/2018
EM	005629052-0001	†	10/2018
EM	005629052-0002	†	10/2018
EM	005629052-0003	†	10/2018
EM	005779014-0001	†	11/2018
EM	005816071-0001	†	11/2018
EM	006301321-0001	†	3/2019
EM	006301321-0002	†	3/2019
EM	006301321-0003	†	3/2019
EM	006082285-0001	†	4/2019
EM	006315503-0001	†	4/2019
EM	006315503-0002	†	4/2019
EM	006315503-0003	†	4/2019
EM	006365136-0001	†	4/2019
EM	006367140-0001	†	4/2019
EM	006367678-0001	†	4/2019
EM	006370235-0002	†	5/2019
EM	006354601-0001	†	6/2019
EM	006354601-0002	†	6/2019
EM	06640819-0001	†	8/2019
EM	06640819-0002	†	8/2019
EM	06642195-0001	†	8/2019
EM	06642195-0002	†	8/2019
GB	6057981	†	4/2019
GB	6057982	†	4/2019
GB	6057983	†	4/2019

OTHER PUBLICATIONS

Design U.S. Appl. No. 29/694,801, filed Jun. 13, 2019. ‡
 Vapresso Revova Zero Pod Kit by Vape Chamber found on line Sep. 12, 2020<a href="https://www.vapechamber.com.au/starter-kits-1/vapresso-renova-zero-pod-kit.
 Vapresso Revova Zero Pod Kit by Vape Chamber found on line Sep. 12, 2020 <a href="https://www.vapechamber.com.au/starter-kits-1/vapresso-renova-zero-pod-kit.
 "Vapresso Revova Zero Pod Kit" by Vape Chamber found online Sep. 12, 2020, <a href="https://www.vapechamber.com/au/starter-kits-1/vapresso-renova-zero-pod-kit.
 Vaporizing Device by: NJOY Ace Kit-Box Of 4, found online Sep. 2, 2020 <a href="https://www.empiremokedist.com/product/njoy-ace-kit-box-of-4.

* cited by examiner
 ‡ imported from a related application

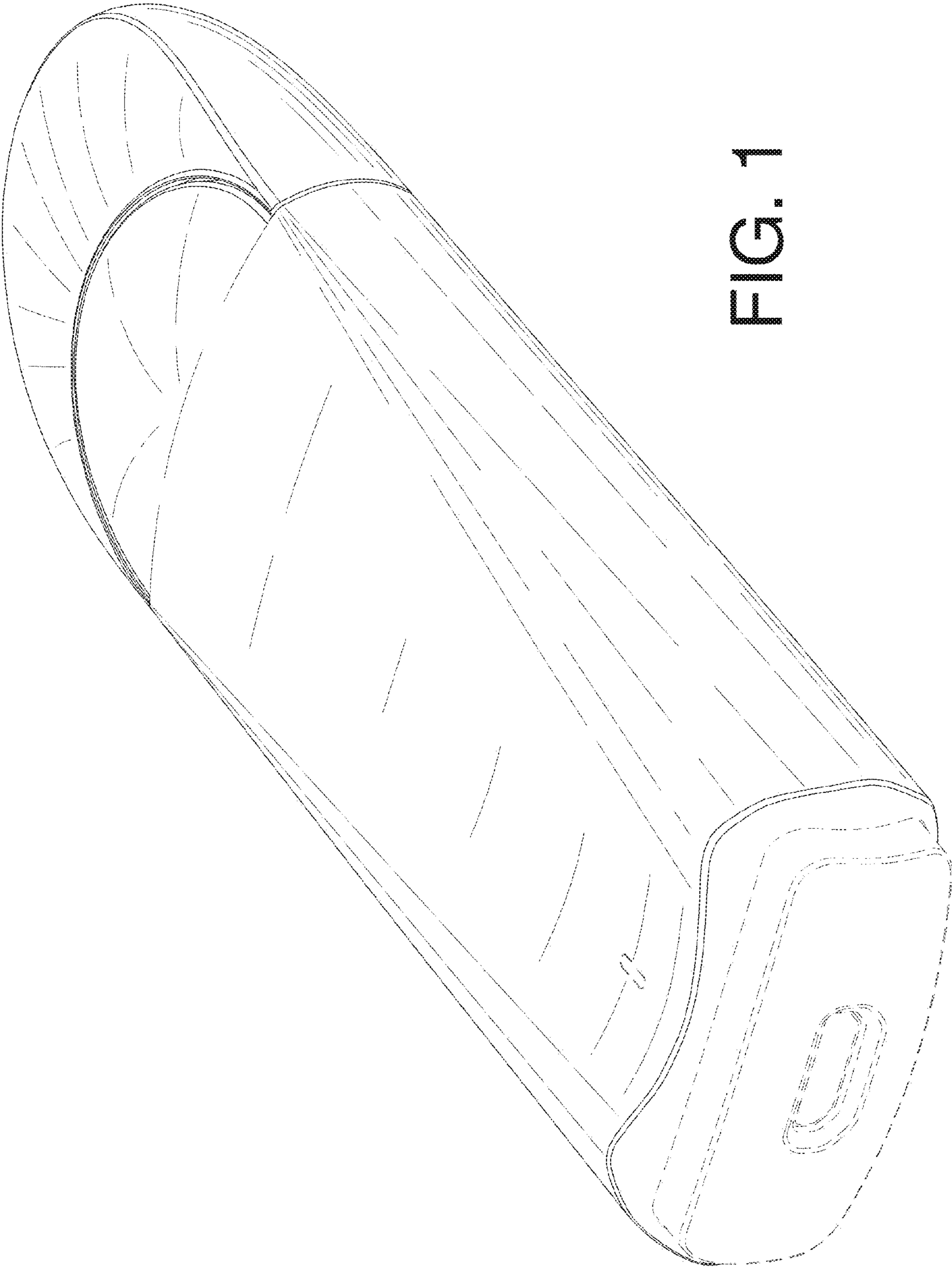


FIG. 1

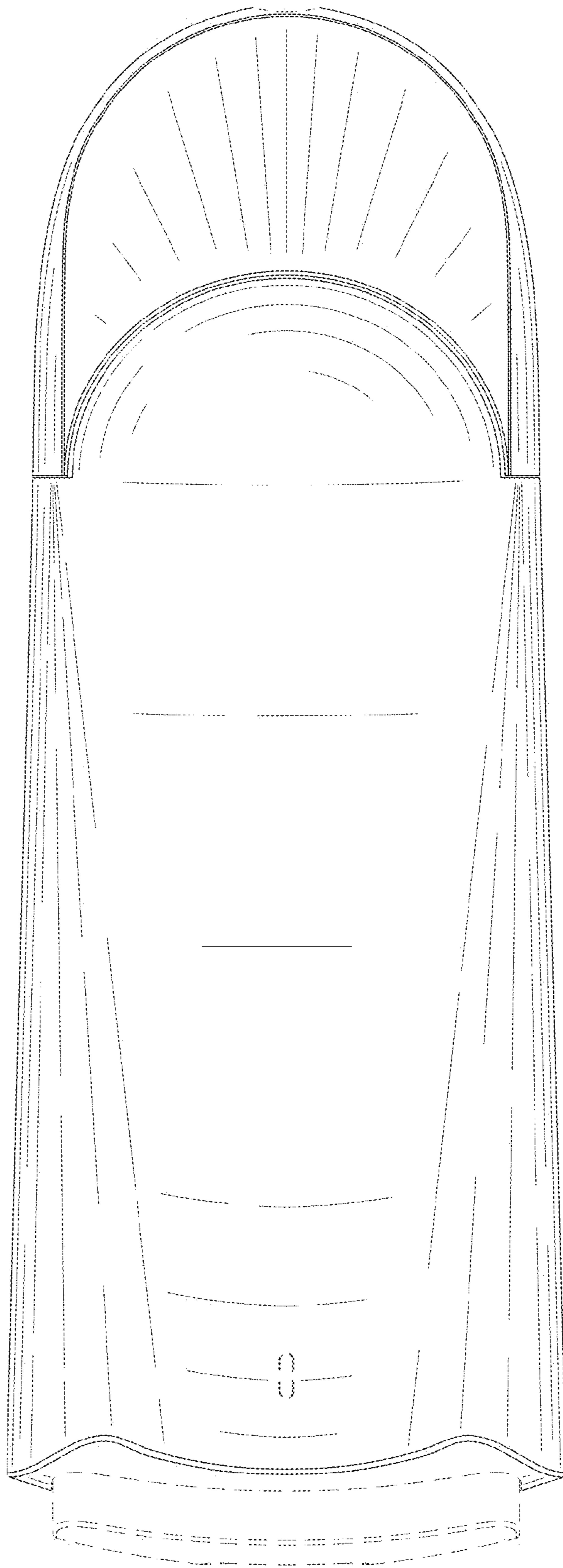


FIG. 2

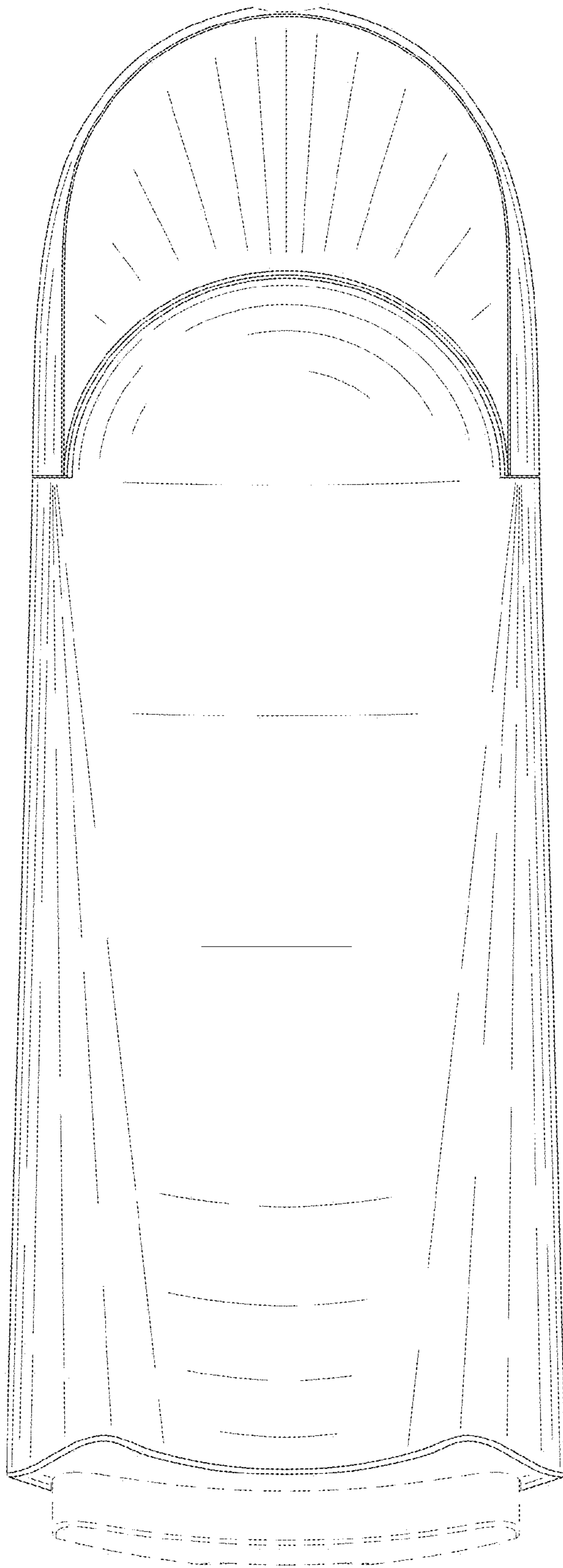


FIG. 3

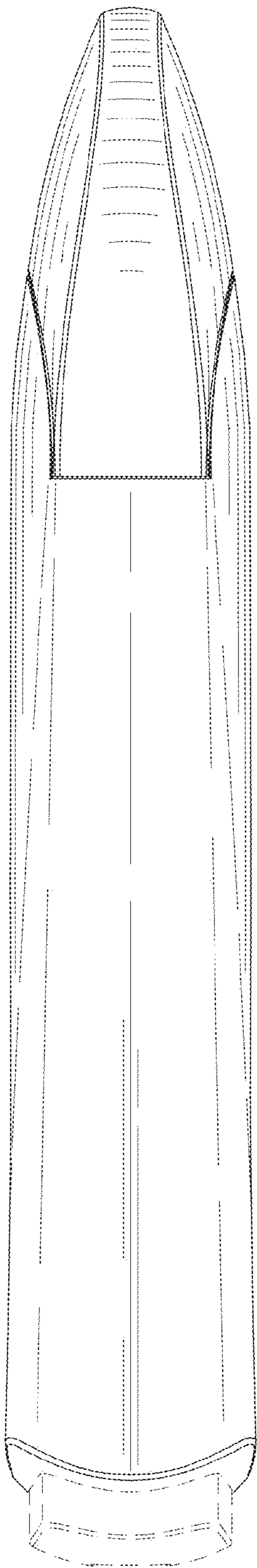


FIG. 4

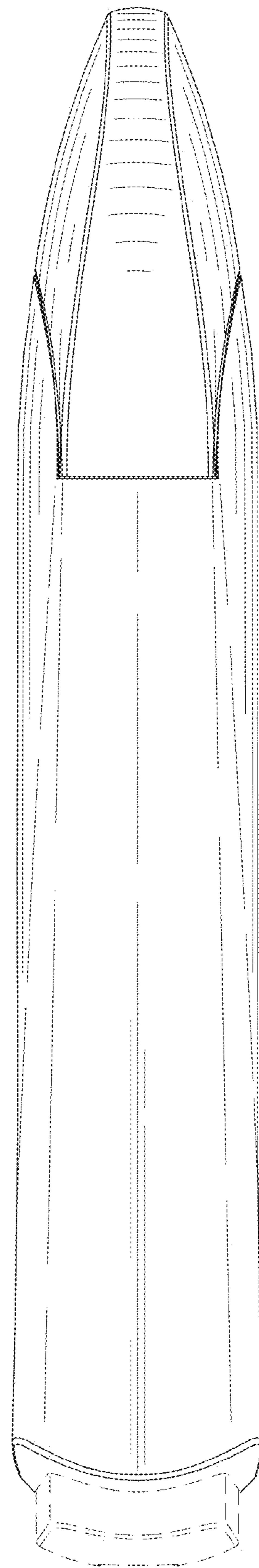


FIG. 5

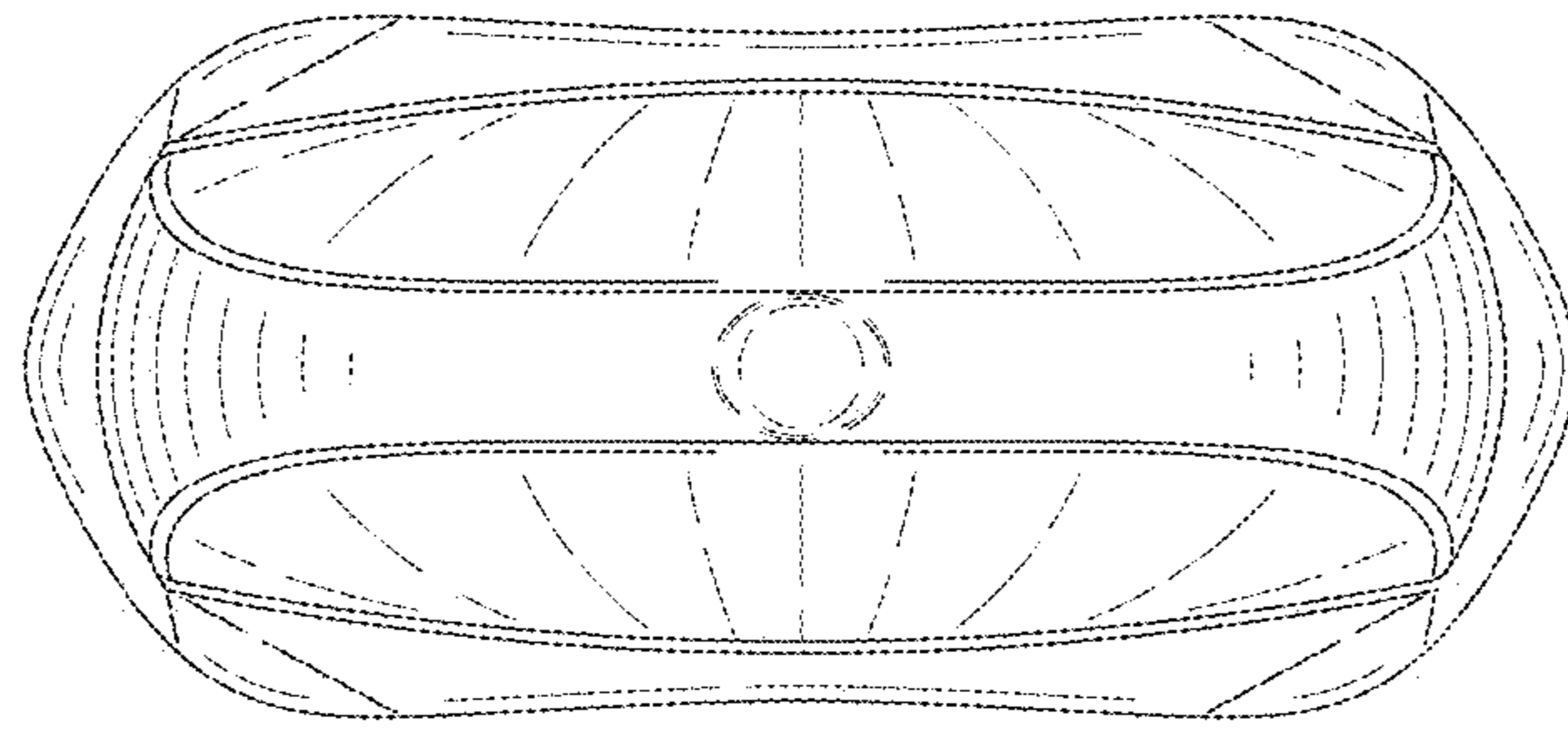


FIG. 6

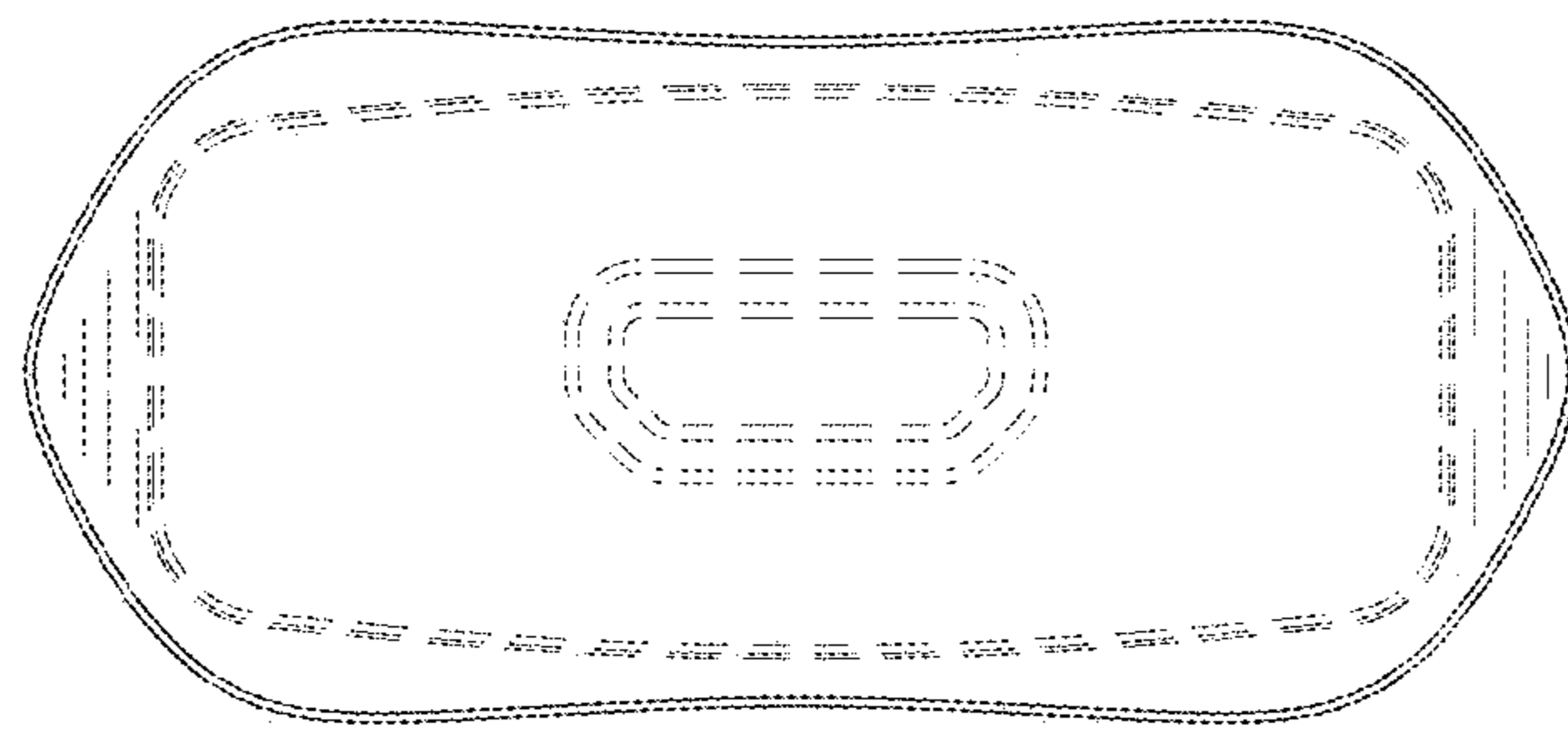


FIG. 7