



US00D950841S

(12) **United States Design Patent** (10) **Patent No.:** **US D950,841 S**
Lowsky (45) **Date of Patent:** **** May 3, 2022**

- (54) **SMOKING CESSATION DEVICE**
- (71) Applicant: **ARK Industries**, Columbia, SC (US)
- (72) Inventor: **Rebecca Lowsky**, Columbia, SC (US)
- (73) Assignee: **ARK Industries**, Columbia, SC (US)
- (**) Term: **15 Years**
- (21) Appl. No.: **29/761,937**
- (22) Filed: **Dec. 14, 2020**
- (51) **LOC (13) Cl.** **27-02**
- (52) **U.S. Cl.**
 USPC **D27/162**
- (58) **Field of Classification Search**
 USPC D27/162, 100, 101, 163–165, 167, 169,
 D27/172, 183, 185–192, 194; D24/110,
 D24/110.5
 CPC A24F 47/008; A24F 47/006; A24F 47/002;
 A61M 15/00; A61M 15/06
 See application file for complete search history.

(56) **References Cited**

U.S. PATENT DOCUMENTS

4,911,181	A	3/1990	Vromen et al.	
5,284,163	A	2/1994	Knudsen et al.	
6,082,368	A	7/2000	Brown	
D552,789	S	10/2007	Danforth	
7,614,402	B2	11/2009	Gomes	
7,766,019	B2	8/2010	Luzenberg, Jr.	
D624,238	S	9/2010	Turner	
D653,390	S *	1/2012	Kaljura	D27/101
D653,802	S	2/2012	Kaljura	
D695,449	S *	12/2013	Tucker	D27/101
8,656,932	B2	2/2014	Valadi	
D739,597	S *	9/2015	Lavanchy	D27/101
D739,598	S *	9/2015	Lavanchy	D27/101
D755,440	S *	5/2016	Collen	D27/163
D758,650	S *	6/2016	Wu	D27/101
D797,369	S *	9/2017	Yamada	D27/101

D799,108	S	10/2017	Meyer et al.
D803,475	S	11/2017	Scheiber
D809,705	S	2/2018	Mironov
D811,004	S	2/2018	Yamada et al.

(Continued)

FOREIGN PATENT DOCUMENTS

WO WO 2012/005439 A3 3/2012

Primary Examiner — Rebecca Tsehaye

(74) Attorney, Agent, or Firm — Dority & Manning, P.A.

(57) **CLAIM**

The ornamental design for a smoking cessation device, as shown and described.

DESCRIPTION

FIG. 1 is a front perspective view of a smoking cessation device showing my new design;

FIG. 2 is a left side perspective view of the smoking cessation device of FIG. 1;

FIG. 3 is a right side perspective view of the smoking cessation device of FIG. 1;

FIG. 4 is a top view of the smoking cessation device of FIG. 1;

FIG. 5 is a bottom view of the smoking cessation device of FIG. 1;

FIG. 6 is a front view of the smoking cessation device of FIG. 1;

FIG. 7 is a rear view of the smoking cessation device of FIG. 1;

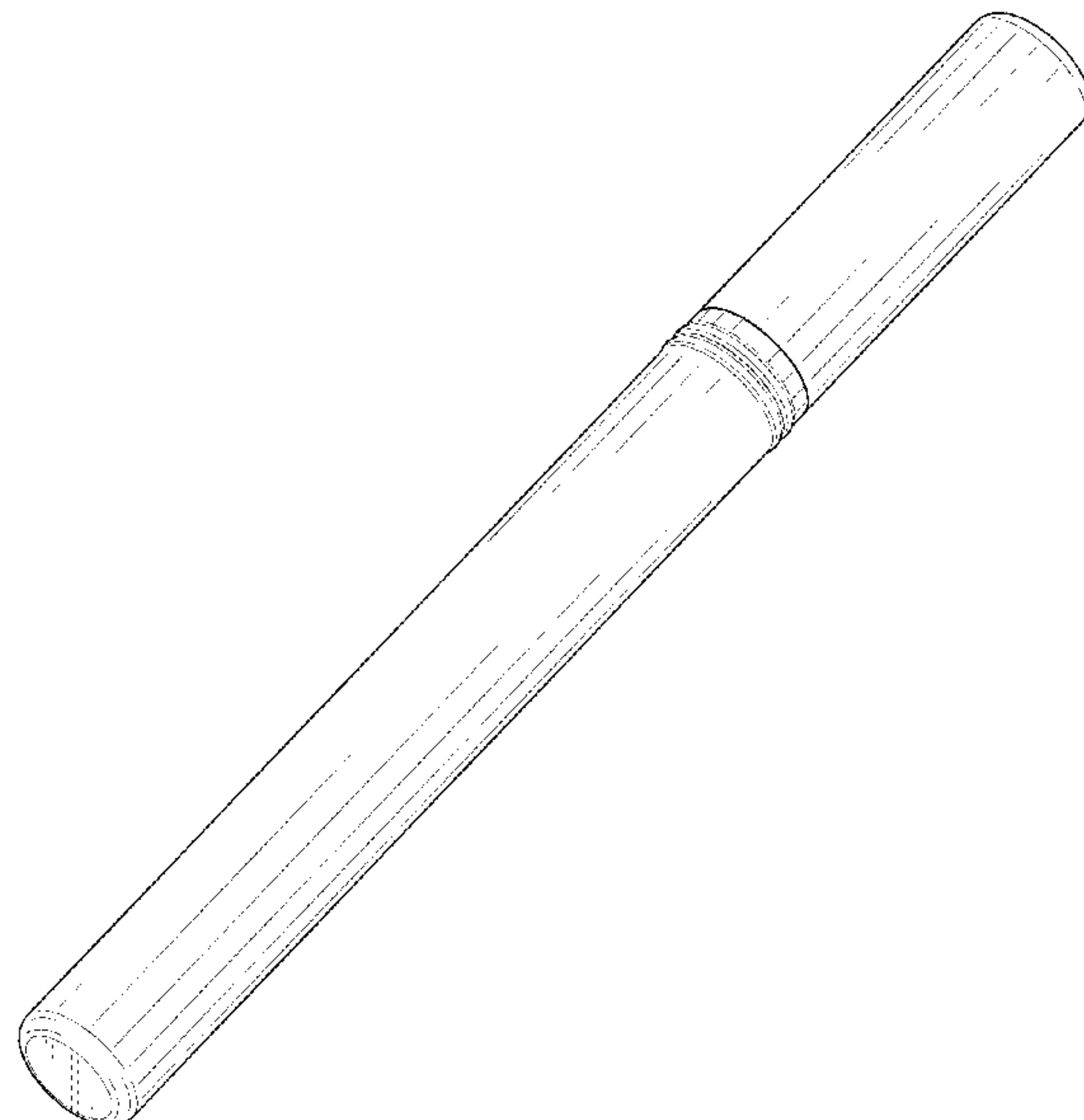
FIG. 8 is a left side view of the smoking cessation device of FIG. 1;

FIG. 9 is a right side view of the smoking cessation device of FIG. 1; and,

FIG. 10 is an enlarged front view of the smoking cessation device of FIG. 6.

The broken lines consisting of short-short and long lines in FIGS. 6 and 10 are for purposes of annotating the enlarged view and form no part of the claimed design.

1 Claim, 5 Drawing Sheets



(56)

References Cited

U.S. PATENT DOCUMENTS

D815,339 S 4/2018 Wallace
 D817,540 S 5/2018 Yamada et al.
 D819,264 S 5/2018 Mykhaylovych
 D821,028 S * 6/2018 Tucker D27/101
 D825,835 S * 8/2018 Verleur D27/101
 D834,743 S * 11/2018 Tucker D27/101
 10,159,273 B2 12/2018 Dube et al.
 D844,222 S 3/2019 Yamada et al.
 D857,983 S * 8/2019 Bramley D27/101
 D870,366 S * 12/2019 Lavanchy A24F 7/00
 D27/101
 D871,664 S * 12/2019 Gray D27/162
 D884,268 S * 5/2020 Deng D27/162
 D889,034 S * 6/2020 Stewart D27/162
 10,688,275 B2 6/2020 Moll Neto et al.
 D897,594 S * 9/2020 Tucker D27/101
 D898,988 S * 10/2020 Levinson D27/101

D907,289 S * 1/2021 Stewart D27/162
 D914,272 S * 3/2021 Bramley D27/101
 D920,567 S * 5/2021 Fornarelli D27/101
 2002/0059939 A1 5/2002 Fox
 2002/0179101 A1 12/2002 Chavez
 2003/0029465 A1 2/2003 Strickland et al.
 2005/0013886 A1 1/2005 Dawe et al.
 2005/0058609 A1 3/2005 Nazeri
 2005/0236006 A1 10/2005 Cowan
 2006/0254604 A1 11/2006 Martinez Fernandez
 2008/0017208 A1 1/2008 Teruel
 2008/0021072 A1 1/2008 Luzenberg, Jr.
 2008/0188527 A1 8/2008 Cashman
 2008/0276948 A1 11/2008 Gedevanishvili et al.
 2009/0165808 A1 7/2009 Melahropoulos
 2009/0214721 A1 8/2009 Sack
 2010/0055050 A1 3/2010 Moore
 2011/0033560 A1 2/2011 Suovaniemi et al.
 2015/0090276 A1 4/2015 Park
 2015/0320109 A1 11/2015 Sant' Angelo

* cited by examiner

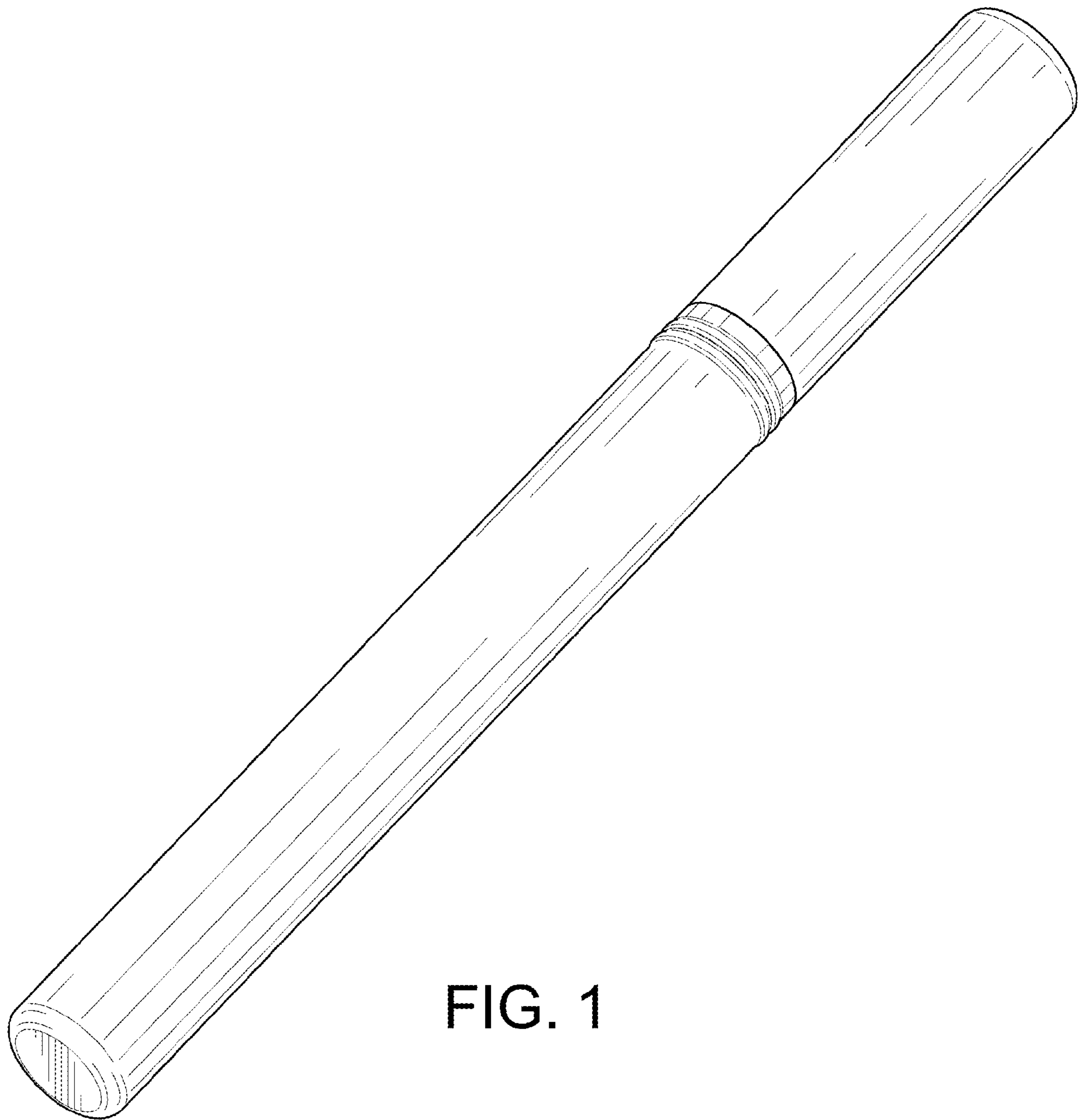


FIG. 1

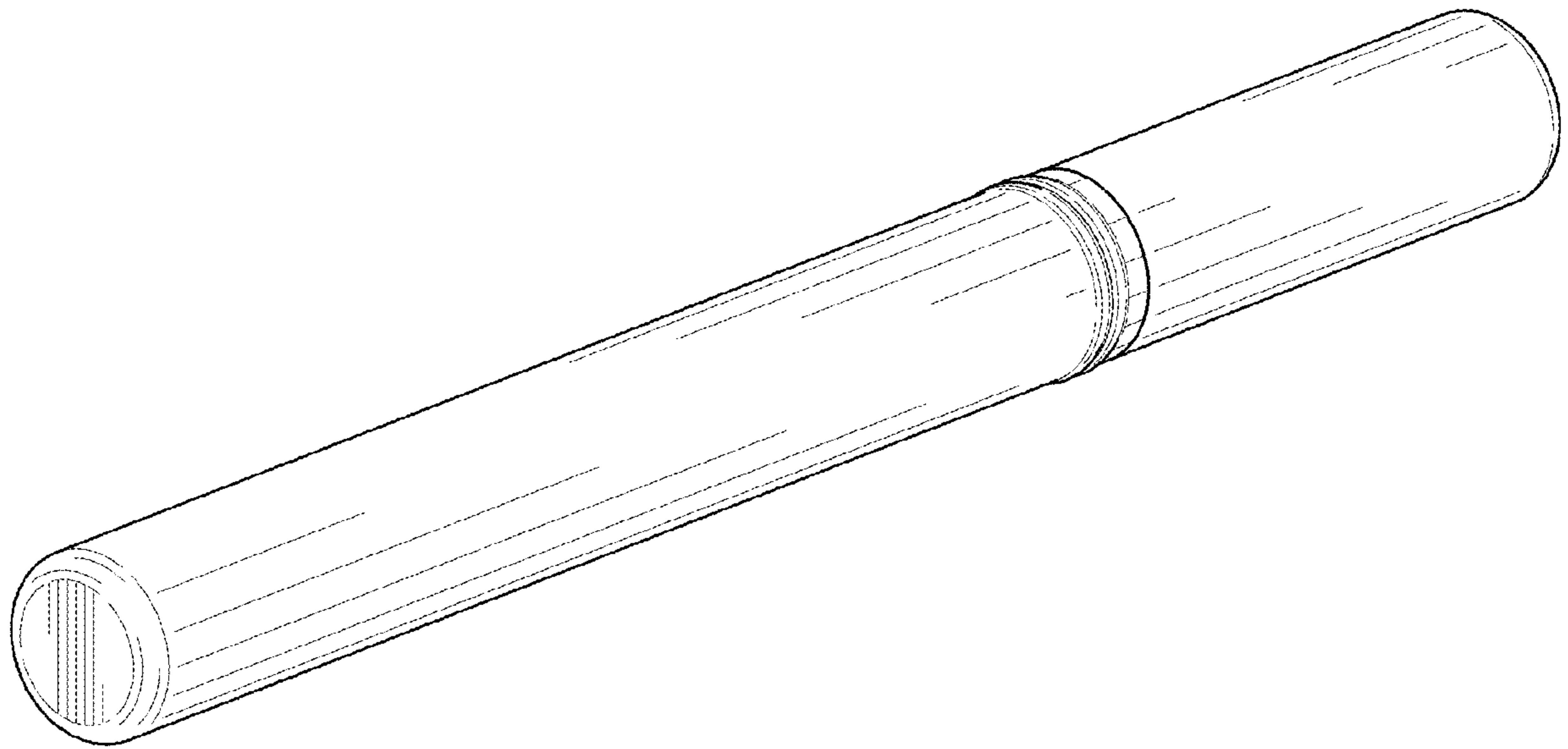


FIG. 2

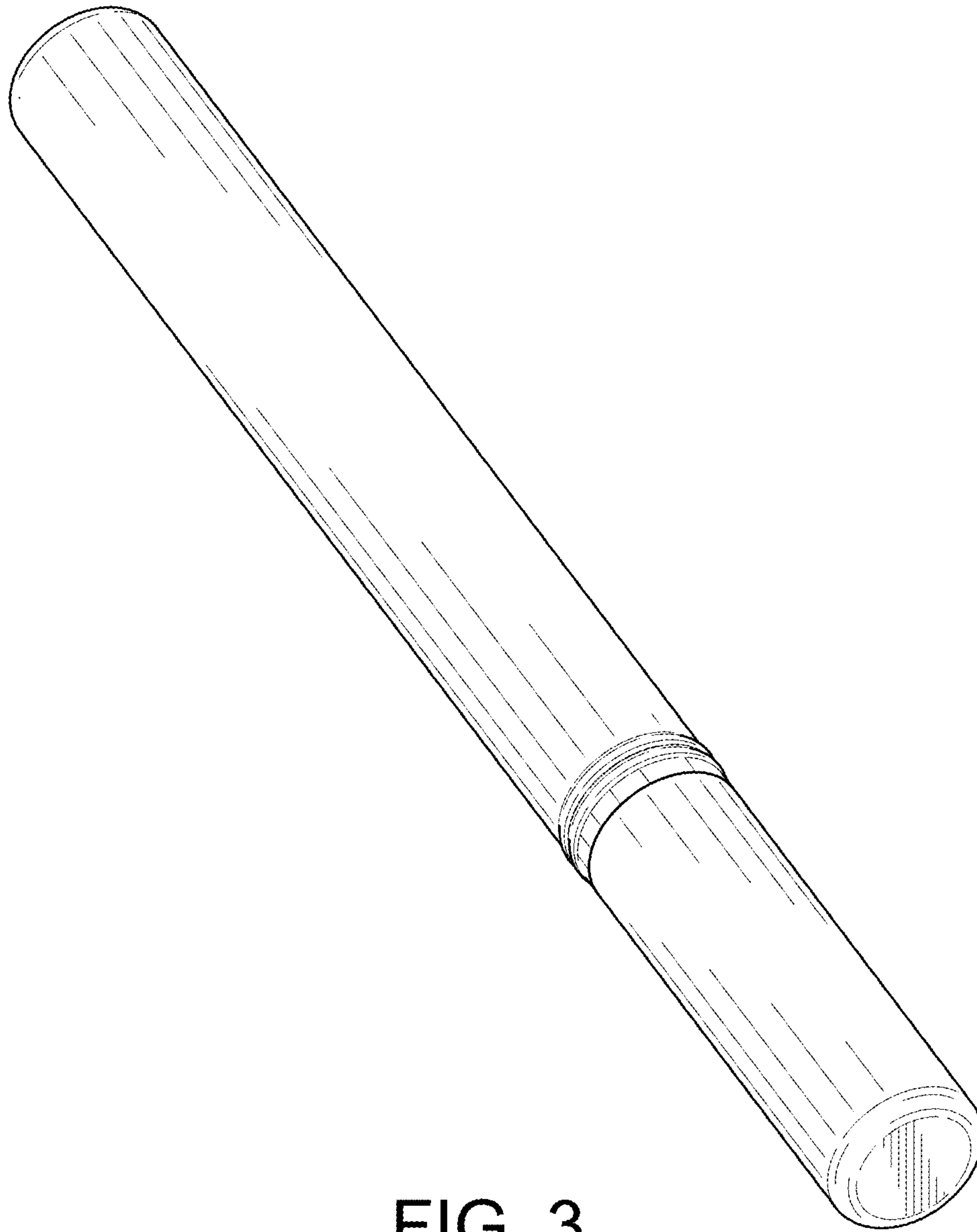


FIG. 3

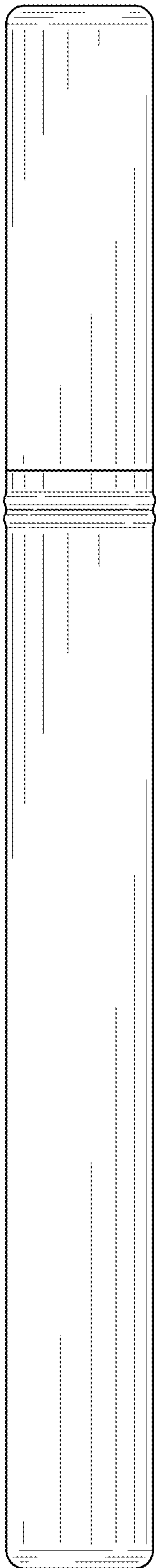


FIG. 9

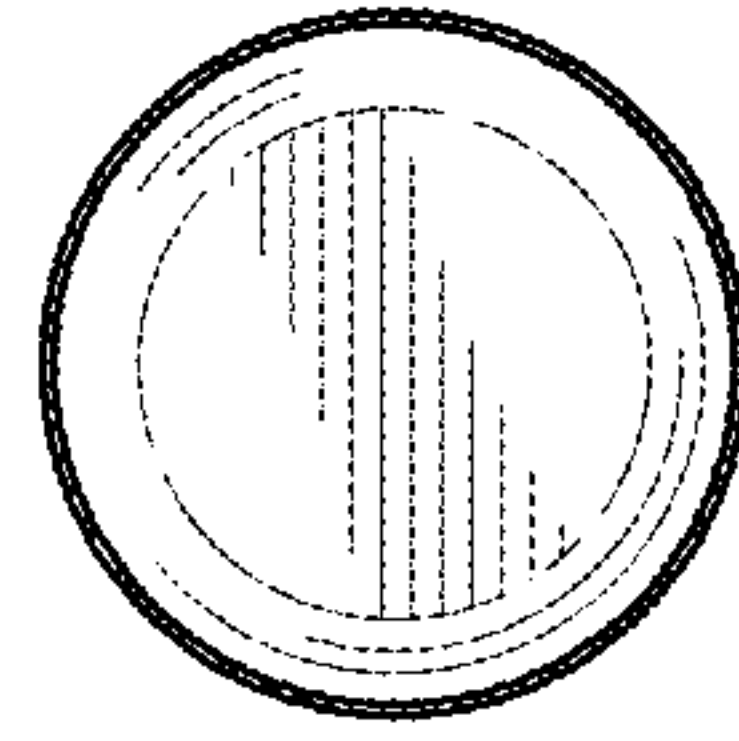


FIG. 4

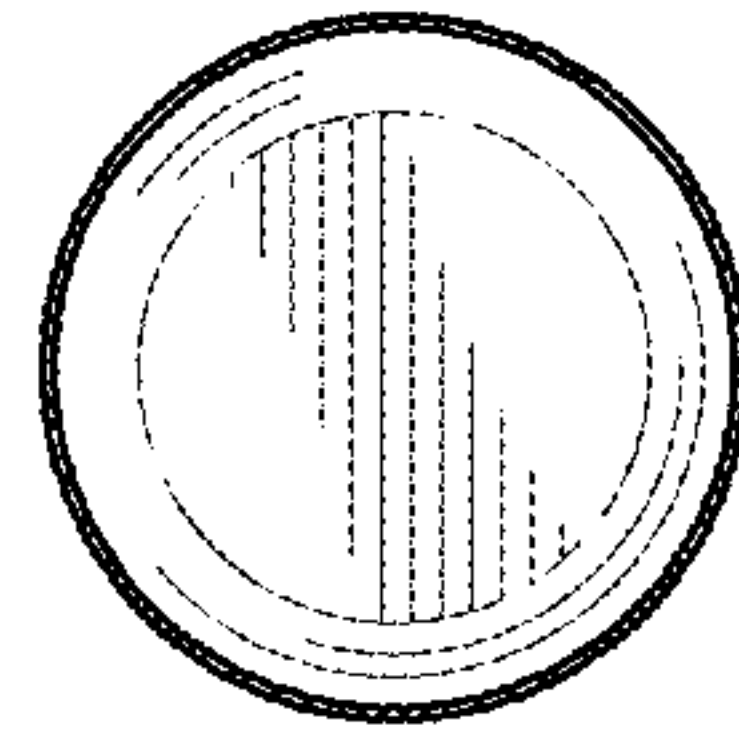


FIG. 5

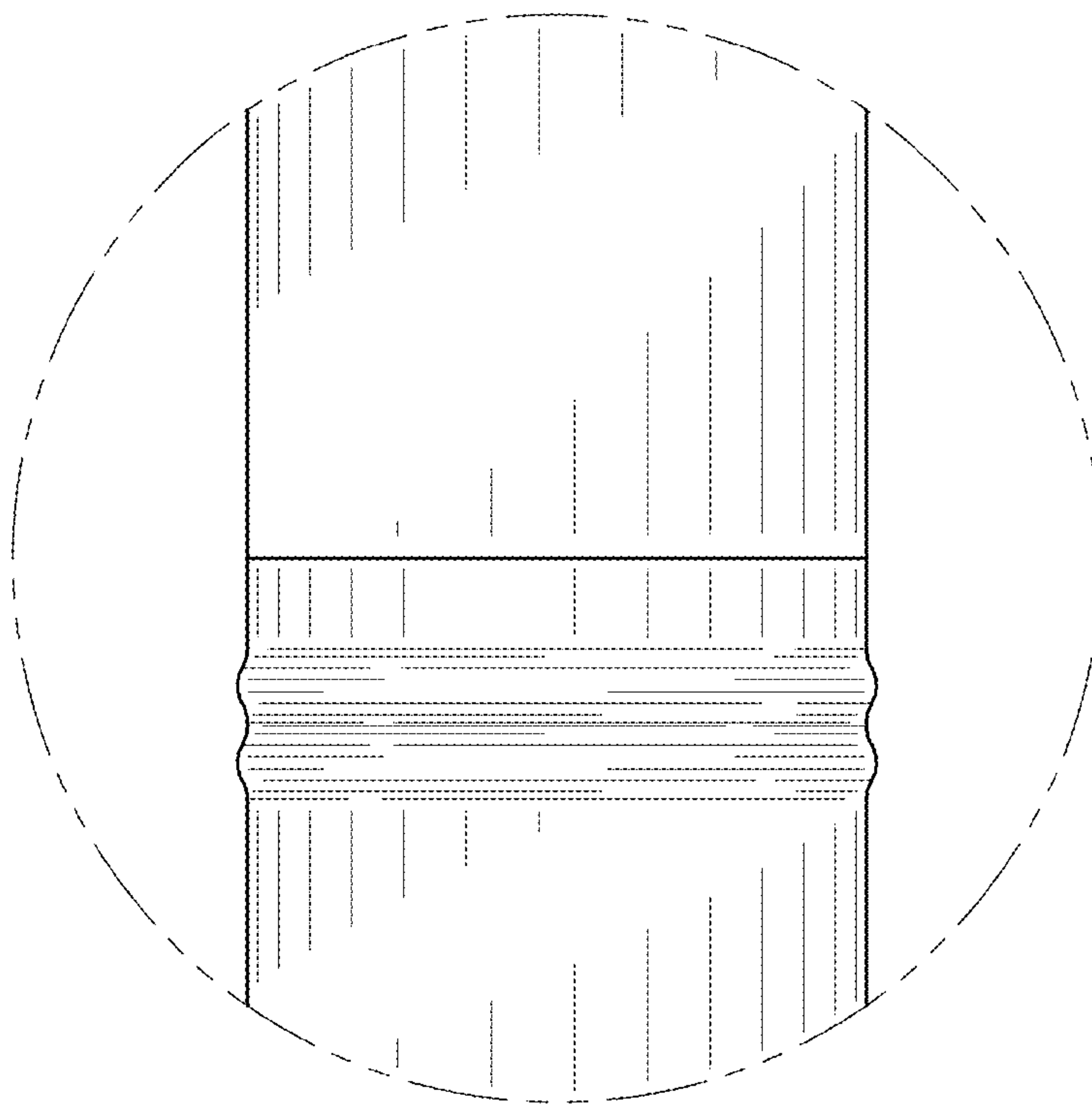


FIG. 10

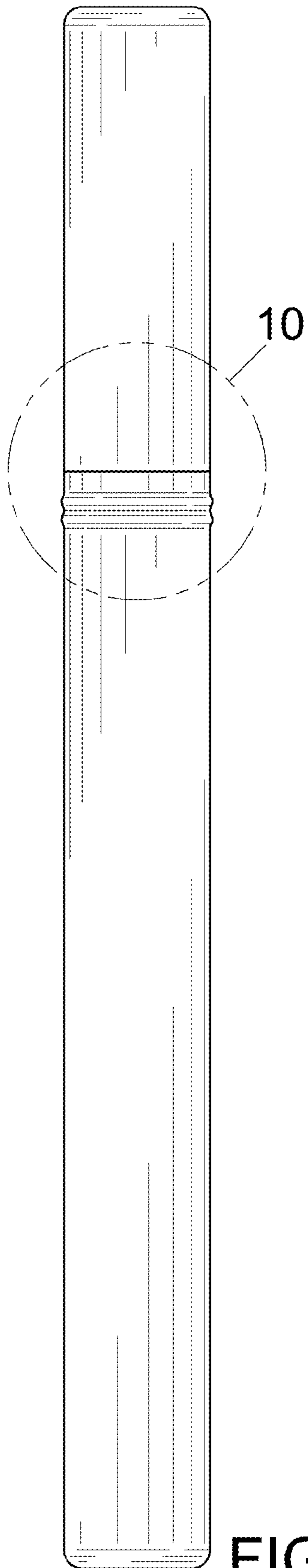


FIG. 6

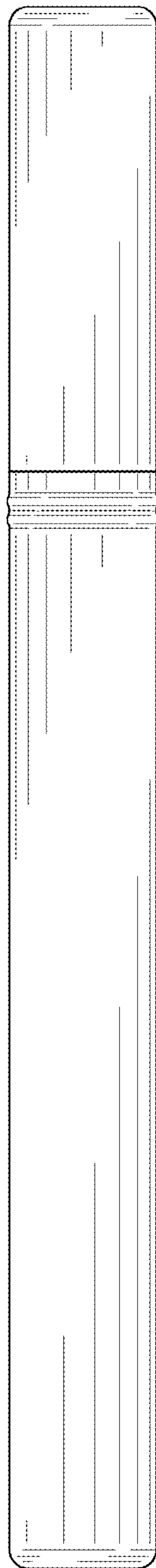


FIG. 7

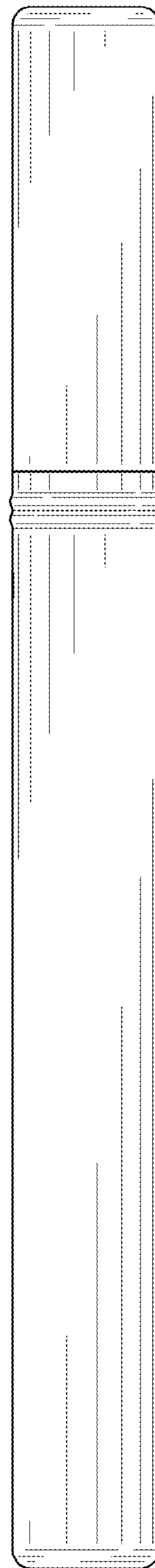


FIG. 8