



US00D950839S

(12) **United States Design Patent** (10) **Patent No.:** **US D950,839 S**
Williams et al. (45) **Date of Patent:** **** May 3, 2022**

(54) **SEALABLE SMOKING BONG**

(71) Applicants: **Sherri L. Williams**, Round Rock, TX (US); **Robert King**, Round Rock, TX (US)

(72) Inventors: **Sherri L. Williams**, Round Rock, TX (US); **Robert King**, Round Rock, TX (US)

(**) Term: **15 Years**

(21) Appl. No.: **29/759,802**

(22) Filed: **Nov. 25, 2020**

(51) **LOC (13) Cl.** **27-02**

(52) **U.S. Cl.**
USPC **D27/162**

(58) **Field of Classification Search**
USPC D27/162, 100, 101, 163-165, 167, 172, D27/174, 183, 185-194; D24/110, 110.5; D23/366; D13/103, 107-109; D14/358, D14/483, 484.1
CPC A24F 47/002; A24F 47/006; A24F 47/008; A61M 15/00; A61M 15/06
See application file for complete search history.

(56) **References Cited**

U.S. PATENT DOCUMENTS

D444,392 S * 7/2001 Dalmau D9/549
D464,169 S * 10/2002 McAuley D27/162
D806,945 S * 1/2018 Lepper D27/163
D820,513 S * 6/2018 Camitta D27/162
D821,641 S * 6/2018 Watson D27/194
D844,227 S * 3/2019 Hoch D27/162
D854,739 S * 7/2019 Li D27/162
D914,961 S * 3/2021 Li D27/162

D915,665 S * 4/2021 Stevens D27/162
D916,364 S * 4/2021 Li D27/162
D928,401 S * 8/2021 Kilger D27/167
D932,901 S * 10/2021 Ventresca B05B 11/30
D9/523

OTHER PUBLICATIONS

JJU Mini Glass Water Smoking Bong By: The Bubble Roome found on line (Dec. 8, 2021) <https://www.thebubbleroome.com/product/jju-mini-glass-water-smoking/#reviews> (Sep. 13, 2019).*

* cited by examiner

Primary Examiner — Marissa J Cash

Assistant Examiner — Rebecca Tsehaye

(74) *Attorney, Agent, or Firm* — Sanchelima & Associates, P.A.; Christian Sanchelima; Jesus Sanchelima

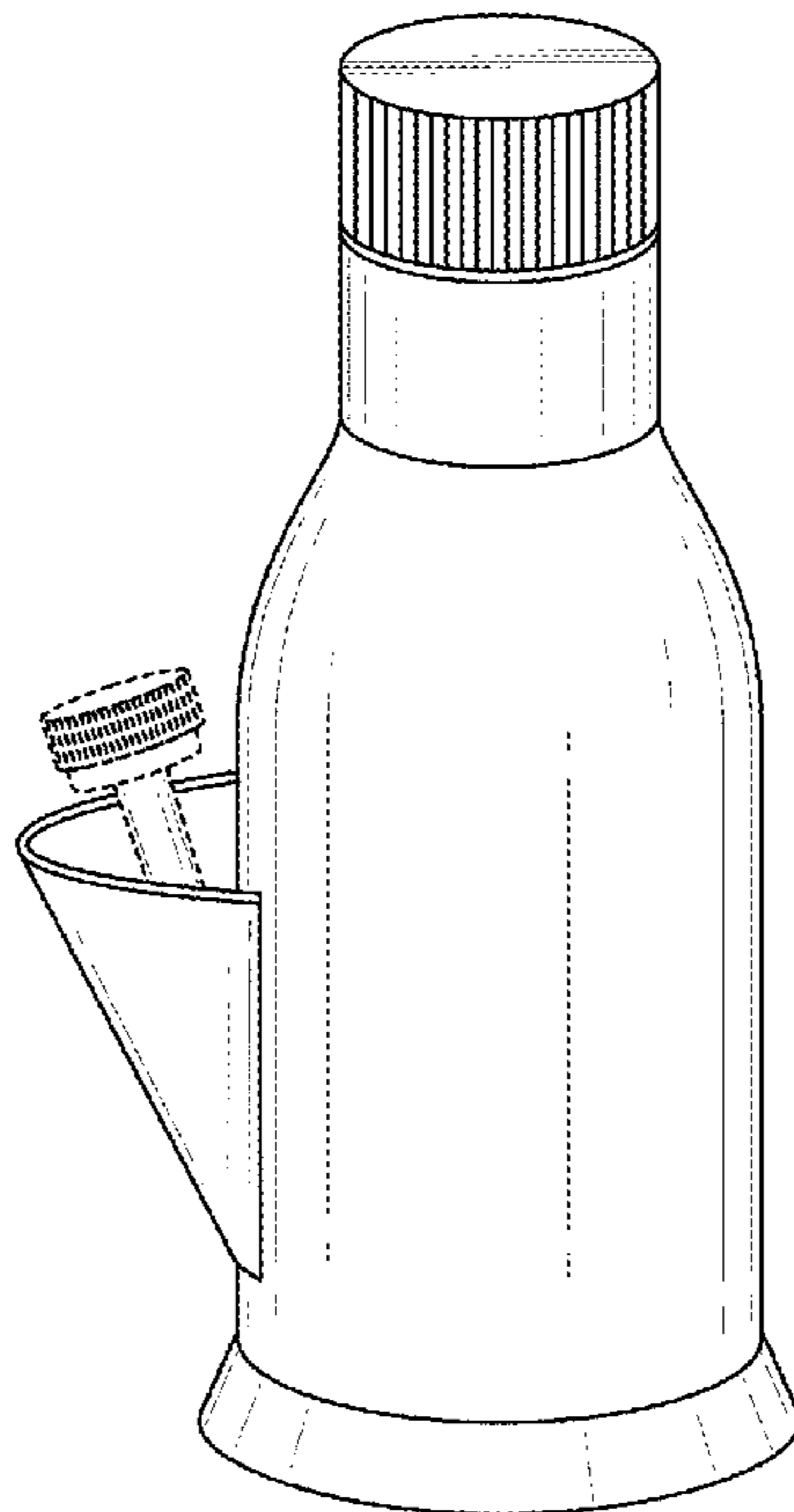
(57) **CLAIM**

The ornamental design for a sealable smoking bong, as shown and described.

DESCRIPTION

FIG. 1 is an isometric view of a sealable smoking bong showing my new design;
FIG. 2 is an exploded isometric view thereof;
FIG. 3 is a front elevational view thereof;
FIG. 4 is a rear elevational view thereof;
FIG. 5 is a left side elevational view thereof;
FIG. 6 is a right elevational view thereof;
FIG. 7 is a top plan view thereof; and,
FIG. 8 is a bottom plan view thereof showing my design.
The broken lines in the drawings illustrate portions of the sealable smoking bong which form no part of the claimed design.

1 Claim, 5 Drawing Sheets



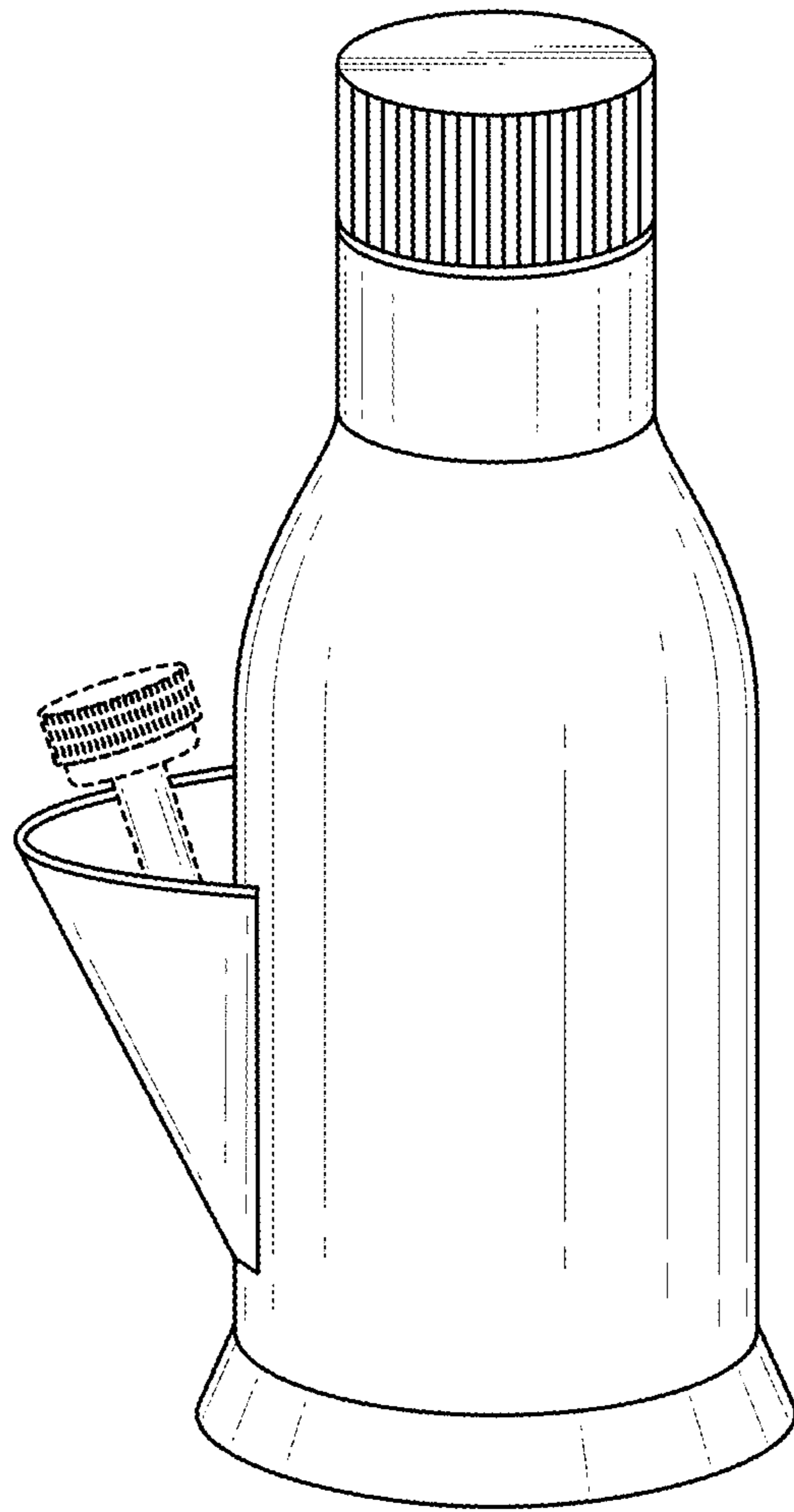


FIG. 1

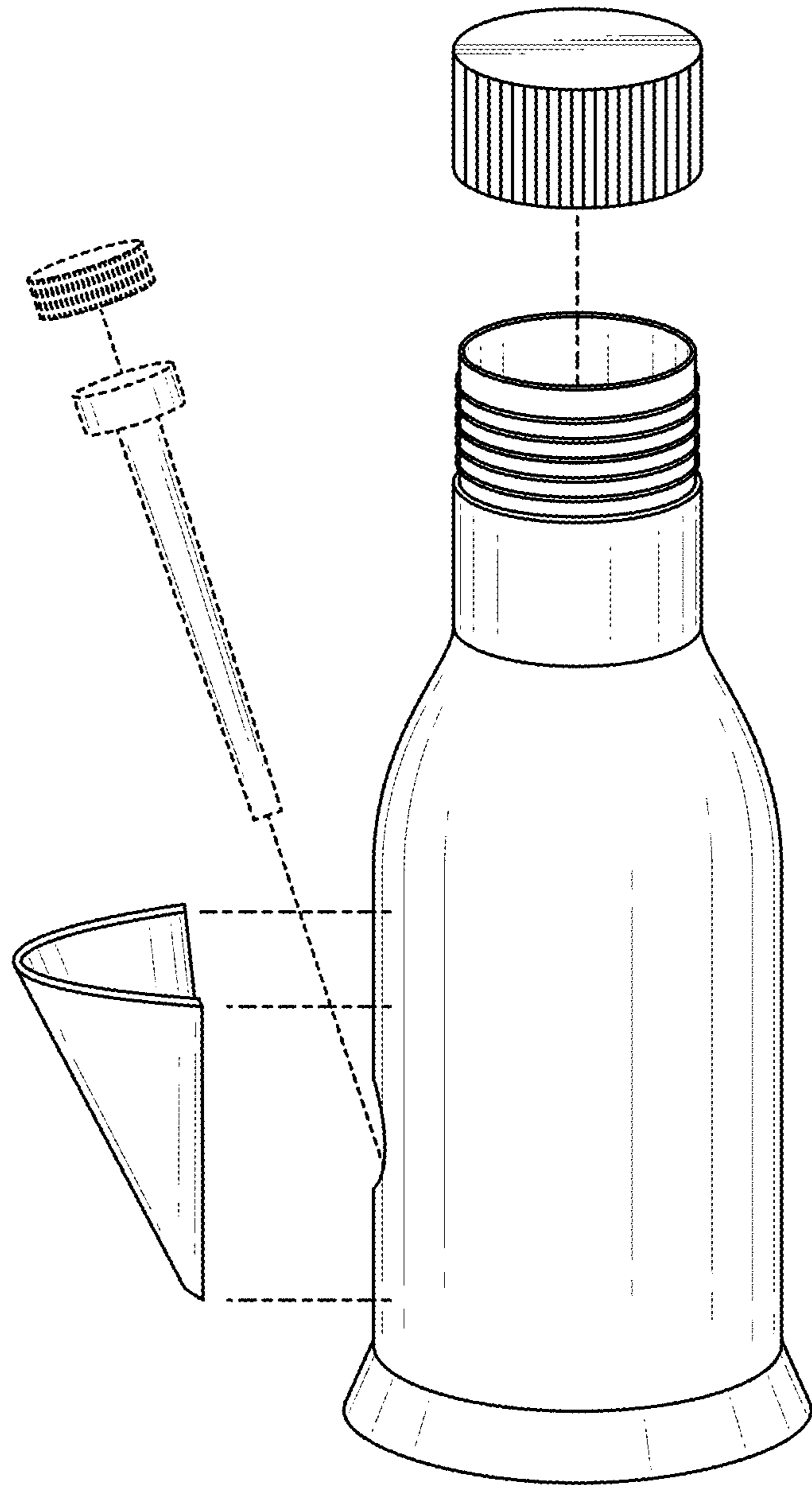


FIG. 2

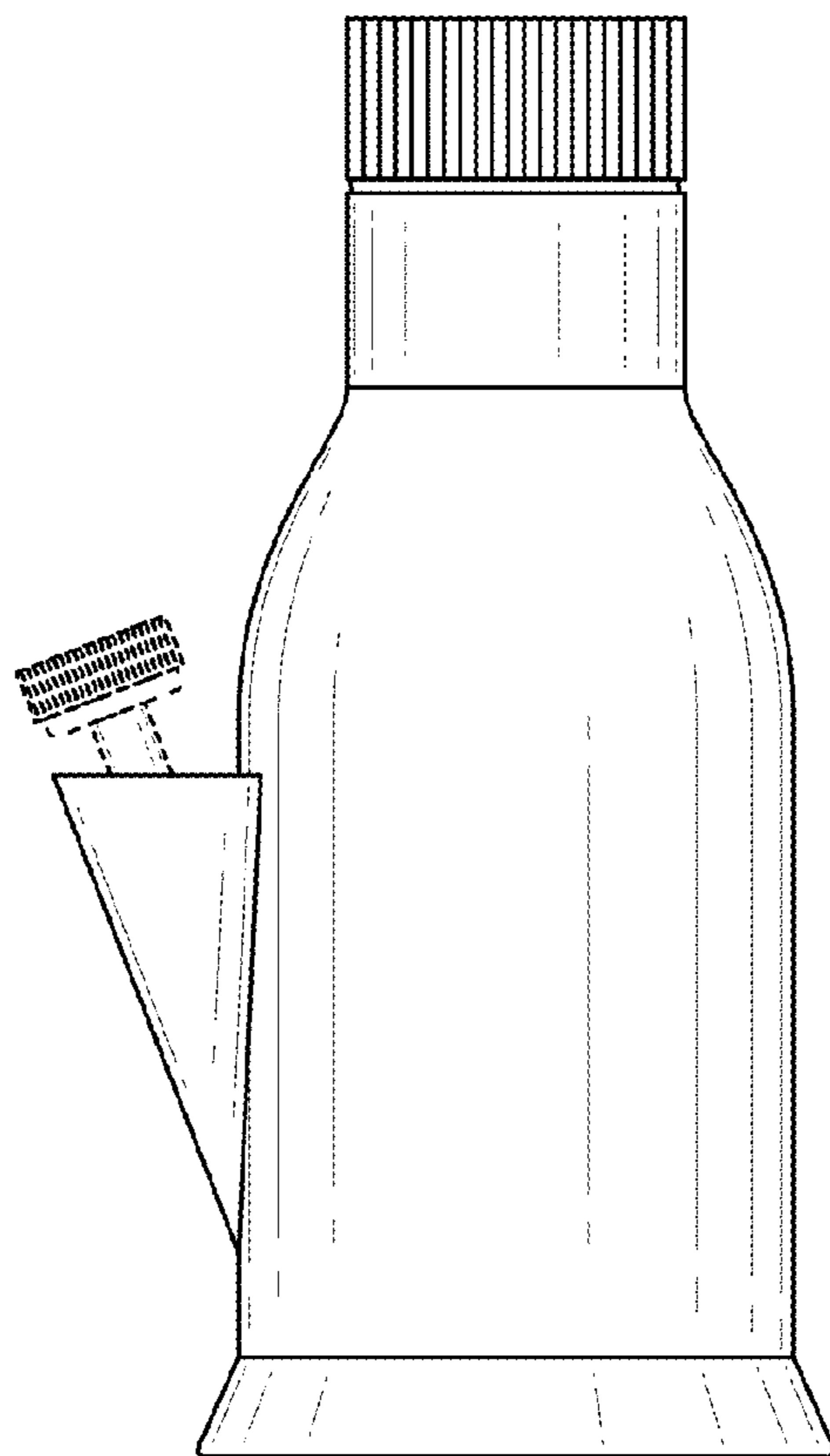


FIG. 3

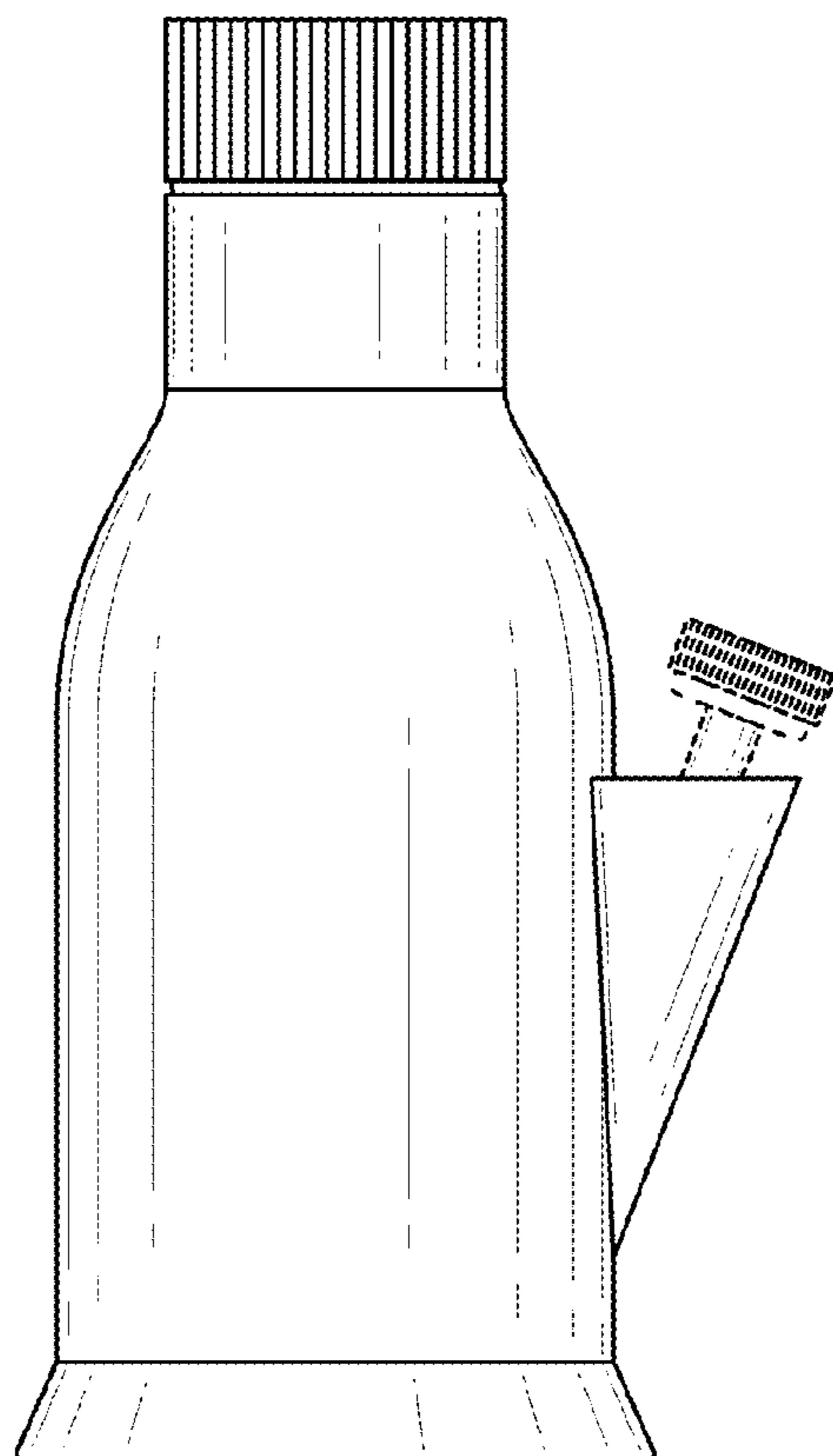


FIG. 4

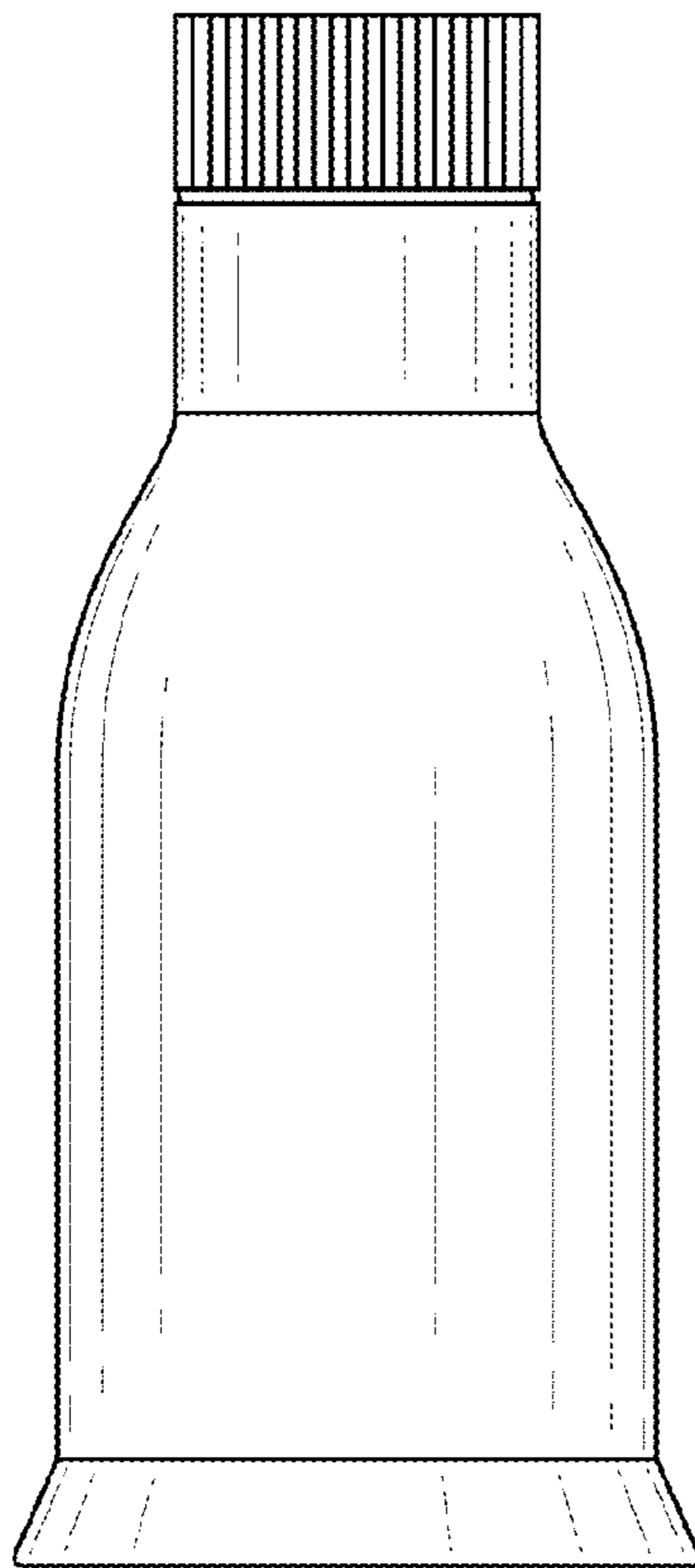


FIG. 5

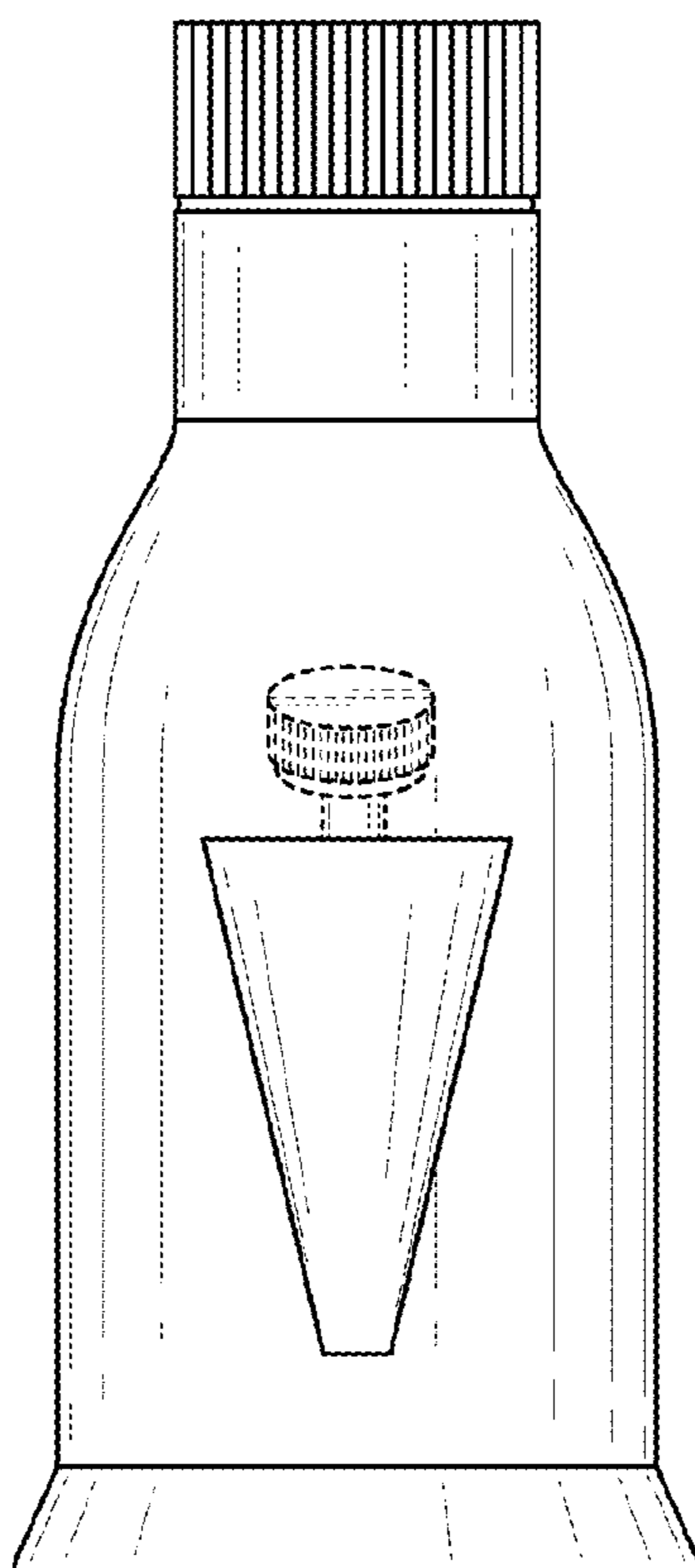


FIG. 6

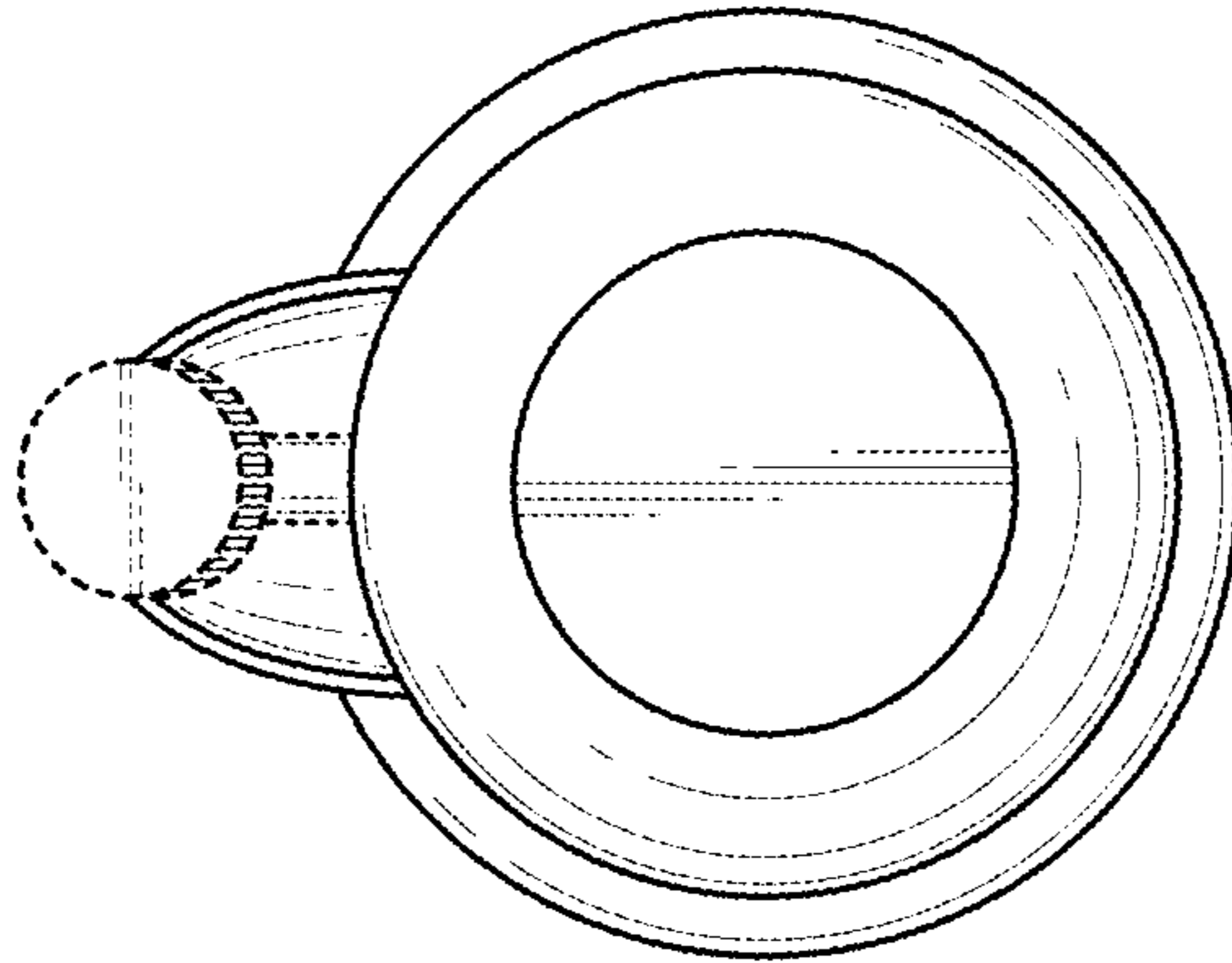


FIG. 7

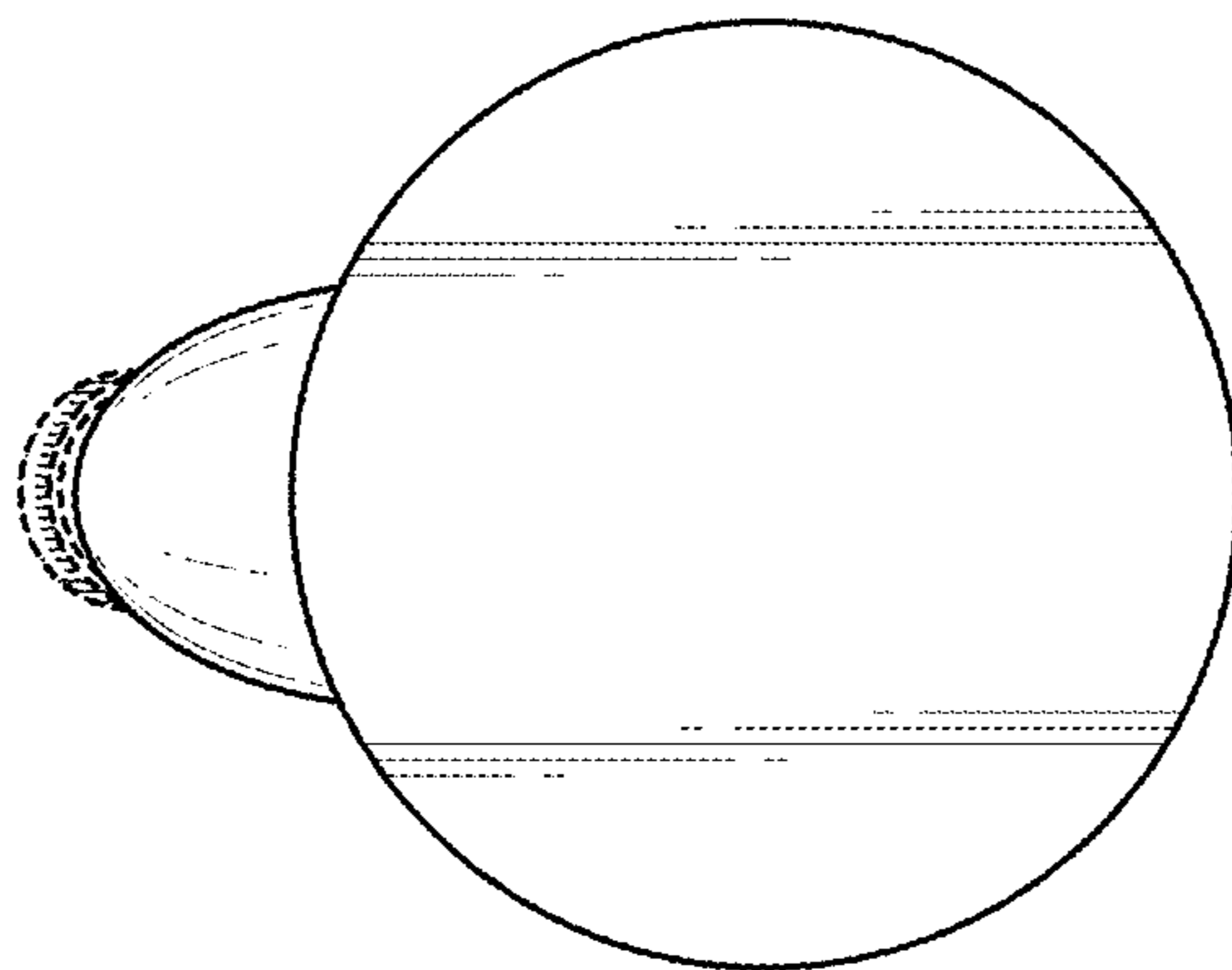


FIG. 8