



US00D950838S

(12) **United States Design Patent**
Liu et al.

(10) **Patent No.:** **US D950,838 S**
(45) **Date of Patent:** **** May 3, 2022**

(54) **ELECTRONIC ATOMIZING DEVICE**

(71) Applicant: **Shenzhen Smoore Technology Limited**, Shenzhen (CN)

(72) Inventors: **Yu Liu**, Shenzhen (CN); **You Shi**, Shenzhen (CN)

(73) Assignee: **SHENZHEN SMOORE TECHNOLOGY LIMITED**, Shenzhen (CN)

(**) Term: **15 Years**

(21) Appl. No.: **29/739,666**

(22) Filed: **Jun. 29, 2020**

(30) **Foreign Application Priority Data**

Mar. 19, 2020 (CN) 202030094383.X

(51) **LOC (13) Cl.** **27-02**

(52) **U.S. Cl.**
USPC **D27/162**

(58) **Field of Classification Search**
USPC D27/100, 101, 162, 163, 164, 165, 166,
D27/167, 168, 169, 170, 171, 172, 173,
(Continued)

(56) **References Cited**

U.S. PATENT DOCUMENTS

D721,202 S * 1/2015 Liu D27/101
D776,337 S * 1/2017 Levin D27/163
(Continued)

FOREIGN PATENT DOCUMENTS

CN 201930291887.8 * 12/2019

OTHER PUBLICATIONS

Vapresso Barr. By Vapresso. Dated Apr. 1, 2020. Found online [Jun. 15, 2021]. <https://www.vapresso.com/vape-kits/barr> (Year: 2020).*

Primary Examiner — Marissa J Cash
Assistant Examiner — William B Melliar

(57) **CLAIM**

The ornamental design for an electronic atomizing device, as shown and described.

DESCRIPTION

FIG. 1 is a perspective view of an electronic atomizing device according to a first embodiment of our design; FIG. 2 is another perspective view thereof; FIG. 3 is a front elevational view thereof; FIG. 4 is a rear elevational view thereof; FIG. 5 is a left side elevational view thereof; FIG. 6 is a right side elevational view thereof; FIG. 7 is an enlarged top plan view thereof; FIG. 8 is an enlarged bottom plan view thereof; FIG. 9 is a perspective view of the electronic atomizing device shown as a component 1 removed from the assembly in FIGS. 1-8 for clarity of disclosure; FIG. 10 is another perspective view thereof; FIG. 11 is a front elevational view thereof; FIG. 12 is a rear elevational view thereof; FIG. 13 is a left side elevational view thereof; FIG. 14 is a right side elevational view thereof; FIG. 15 is an enlarged top plan view thereof; FIG. 16 is an enlarged bottom plan view thereof; FIG. 17 is a perspective view of the electronic atomizing device shown as a component 2 removed from the assembly in FIGS. 1-8 for clarity of disclosure; FIG. 18 is another perspective view thereof; FIG. 19 is a front elevational view thereof; FIG. 20 is a rear elevational view thereof; FIG. 21 is a left side elevational view thereof; FIG. 22 is a right side elevational view thereof; FIG. 23 is an enlarged top plan view thereof; FIG. 24 is an enlarged bottom plan view thereof; FIG. 25 is a perspective view of an electronic atomizing device according to a second embodiment of our design; FIG. 26 is another perspective view thereof; FIG. 27 is a front elevational view thereof; FIG. 28 is a rear elevational view thereof;

(Continued)

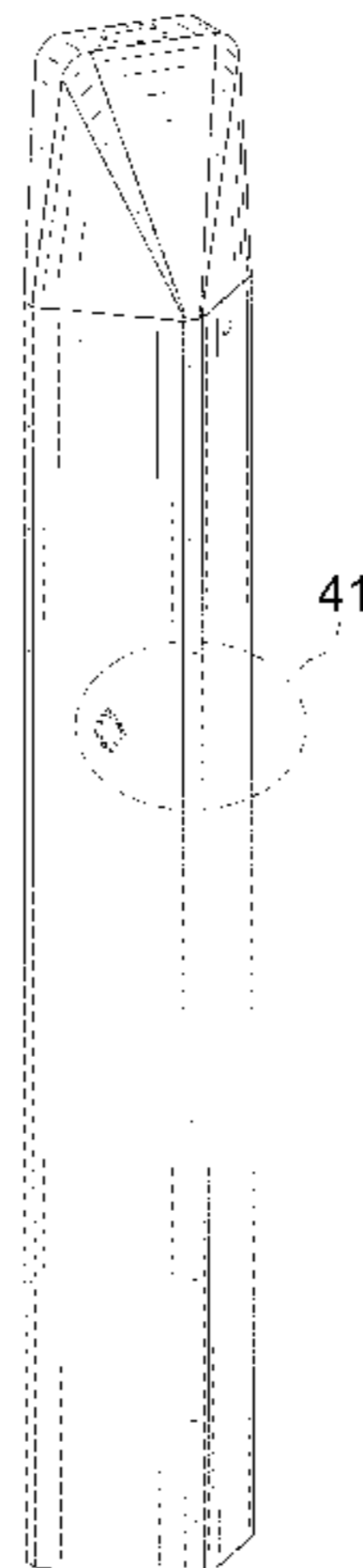


FIG. 29 is a left side elevational view thereof;
 FIG. 30 is a right side elevational view thereof;
 FIG. 31 is an enlarged top plan view thereof;
 FIG. 32 is an enlarged bottom plan view thereof;
 FIG. 33 is a perspective view of the electronic atomizing device shown as a component 1 removed from the assembly in FIGS. 25-32 for clarity of disclosure;
 FIG. 34 is another perspective view thereof;
 FIG. 35 is a front elevational view thereof;
 FIG. 36 is a rear elevational view thereof;
 FIG. 37 is a left side elevational view thereof;
 FIG. 38 is a right side elevational view thereof;
 FIG. 39 is an enlarged top plan view thereof;
 FIG. 40 is an enlarged bottom plan view thereof;
 FIG. 41 is an enlarged view of area 41 circumscribed in FIG. 1;
 FIG. 42 is an enlarged view of area 42 circumscribed in FIG. 17; and,
 FIG. 43 is an enlarged view of area 43 circumscribed in FIG. 25.

The short dash broken lines in the drawings depict portions of the electronic atomizing device that form no part of the claimed design.

The long dash-short dash broken lines in the drawings depict the boundaries of the enlarged views and form no part of the claimed design.

The shade lines in the figures show contour.

The oblique lines on the electronic atomizing device surfaces indicate that those surfaces are transparent.

1 Claim, 43 Drawing Sheets

(58) **Field of Classification Search**

USPC D27/174, 175, 176, 177, 178, 179, 180,
 D27/181, 182, 183, 184, 185, 186, 187,
 D27/188, 189, 190, 191, 192, 193, 194,
 D27/196; D28/91.1; D23/360, 362;
 D24/110, 110.4, 110.5, 110.6, 113

CPC A24F 40/10; A24F 40/40; A24F 40/46;
 A24F 47/008; A24F 40/60; A24F 40/70;
 A24F 40/51; A24F 40/20; A24F 40/05;
 A24F 40/90; A24F 40/30; A24F 40/95;
 A24F 40/00; A24F 7/00; A24F 13/00;
 A24F 13/14; A24F 1/32; A24F 40/49;
 A24F 42/60; A24F 42/80; A24F 47/002;
 A24F 7/02; A24F 9/16; A24F 40/42;
 A24F 40/57; A24F 15/015; A24F 40/465;
 A24F 1/02; A24F 2700/03; A24F 15/01;
 A24F 1/28; A24F 40/85; A24F 42/00;
 A24F 42/10; A24F 42/20; A24F 47/004;
 A24F 47/006; A24F 7/04; A24F 40/485;
 A24F 40/44; A24F 40/48; A24F 40/50;
 A24F 1/00; A24F 47/00; A24F 40/53;
 A24F 40/65

See application file for complete search history.

(56)

References Cited

U.S. PATENT DOCUMENTS

D799,113 S * 10/2017 Qiu D27/101
 D829,372 S * 9/2018 Huang D27/101
 D859,735 S * 9/2019 Qiu D27/162
 D861,239 S * 9/2019 Chen D27/101
 D861,975 S * 10/2019 Bowen D27/162
 D863,665 S * 10/2019 Huang D27/101
 D865,276 S * 10/2019 Pino D27/162
 D877,976 S * 3/2020 Ding D27/162
 D885,328 S * 5/2020 Bartell D13/103
 D889,033 S * 6/2020 Murray D27/162
 D899,678 S * 10/2020 Liu D27/162
 D900,388 S * 10/2020 Liu D27/162
 D908,279 S * 1/2021 Li D27/162
 D910,906 S * 2/2021 Zhou D27/162
 D914,277 S * 3/2021 Han D27/162
 2020/0237007 A1 * 7/2020 Qiu A24F 40/90

* cited by examiner

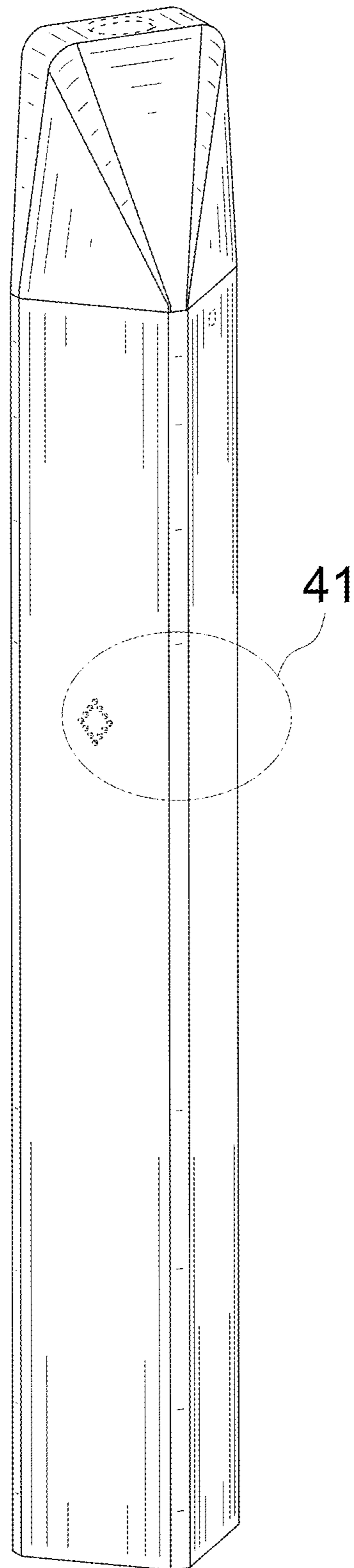


FIG. 1

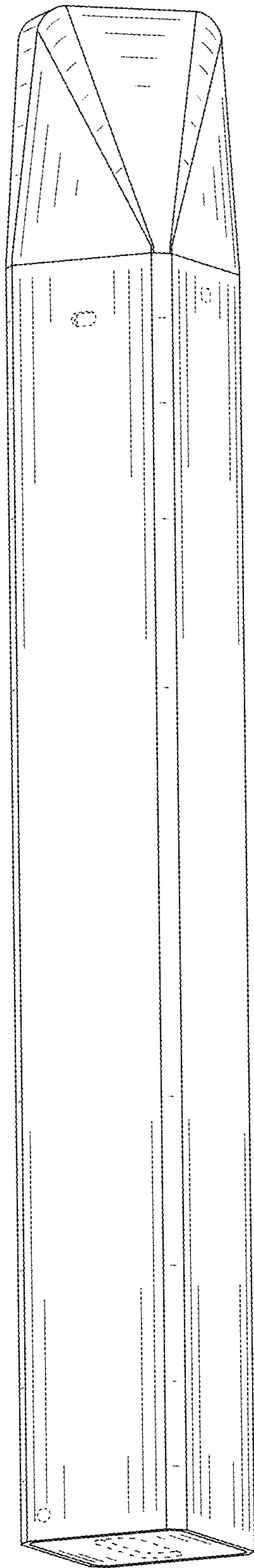


FIG. 2

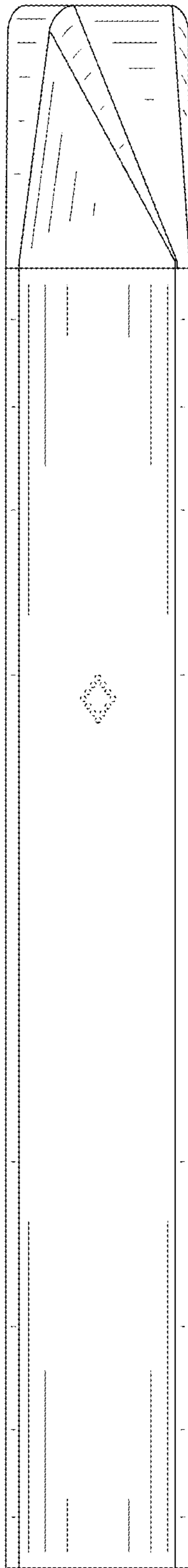


FIG. 3

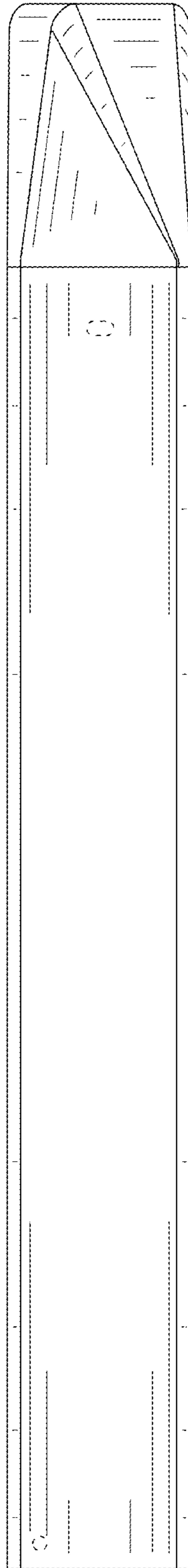


FIG. 4

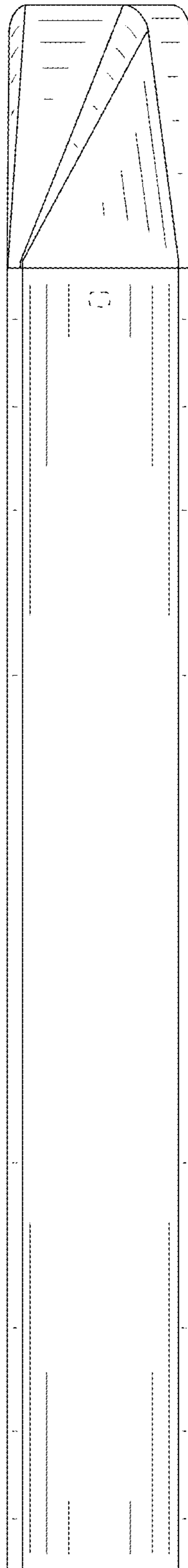


FIG. 5

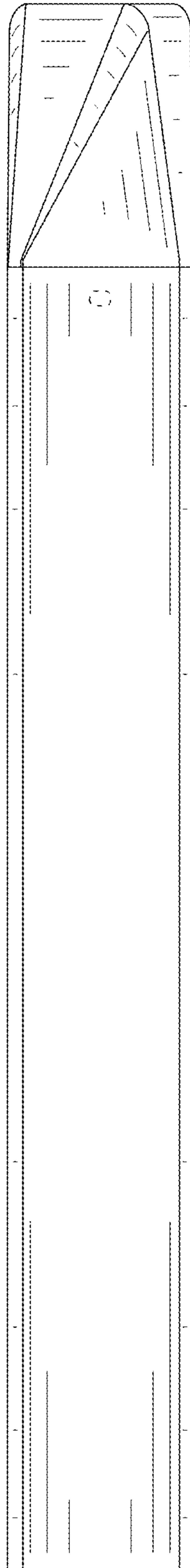


FIG. 6

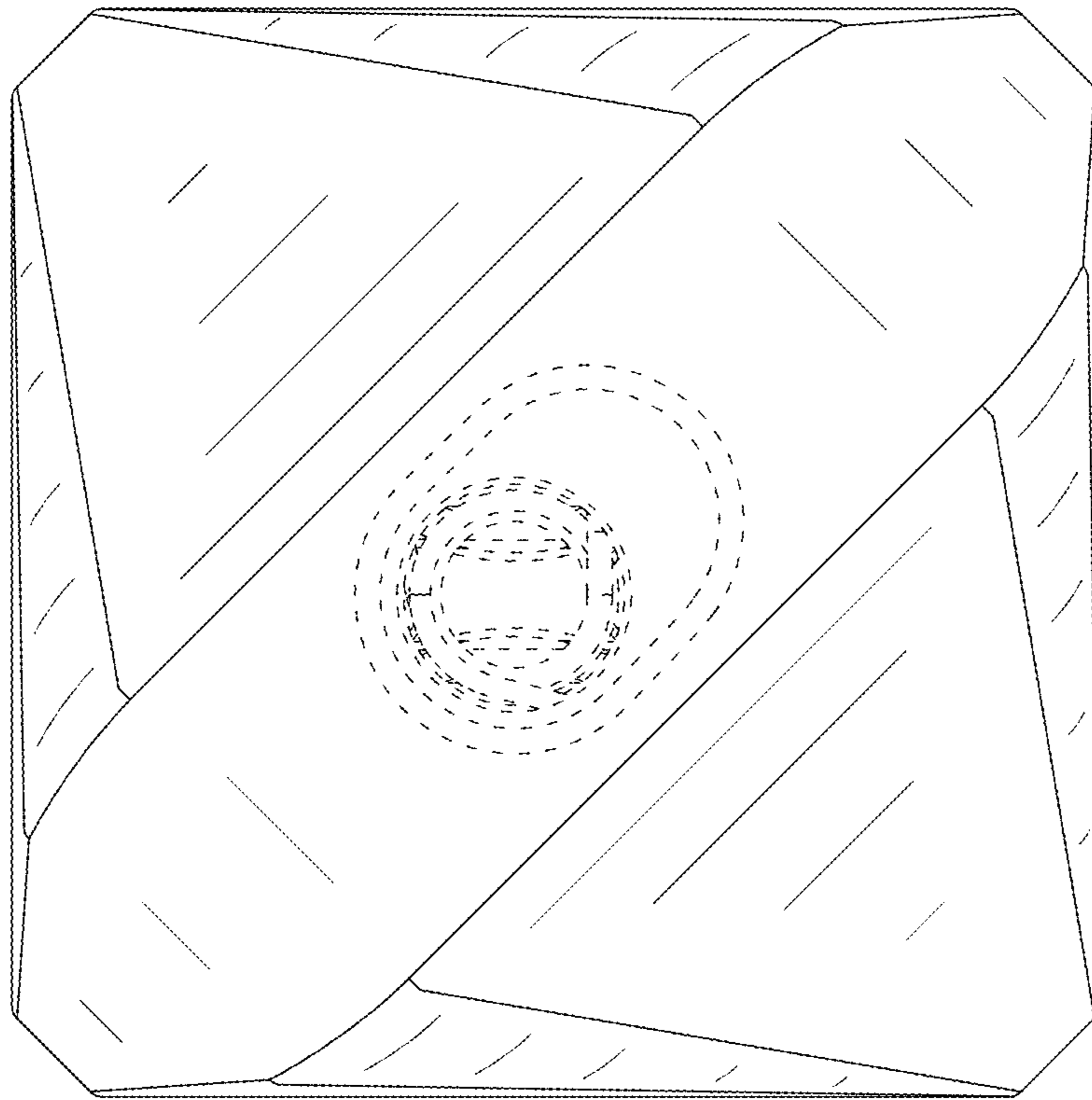


FIG. 7

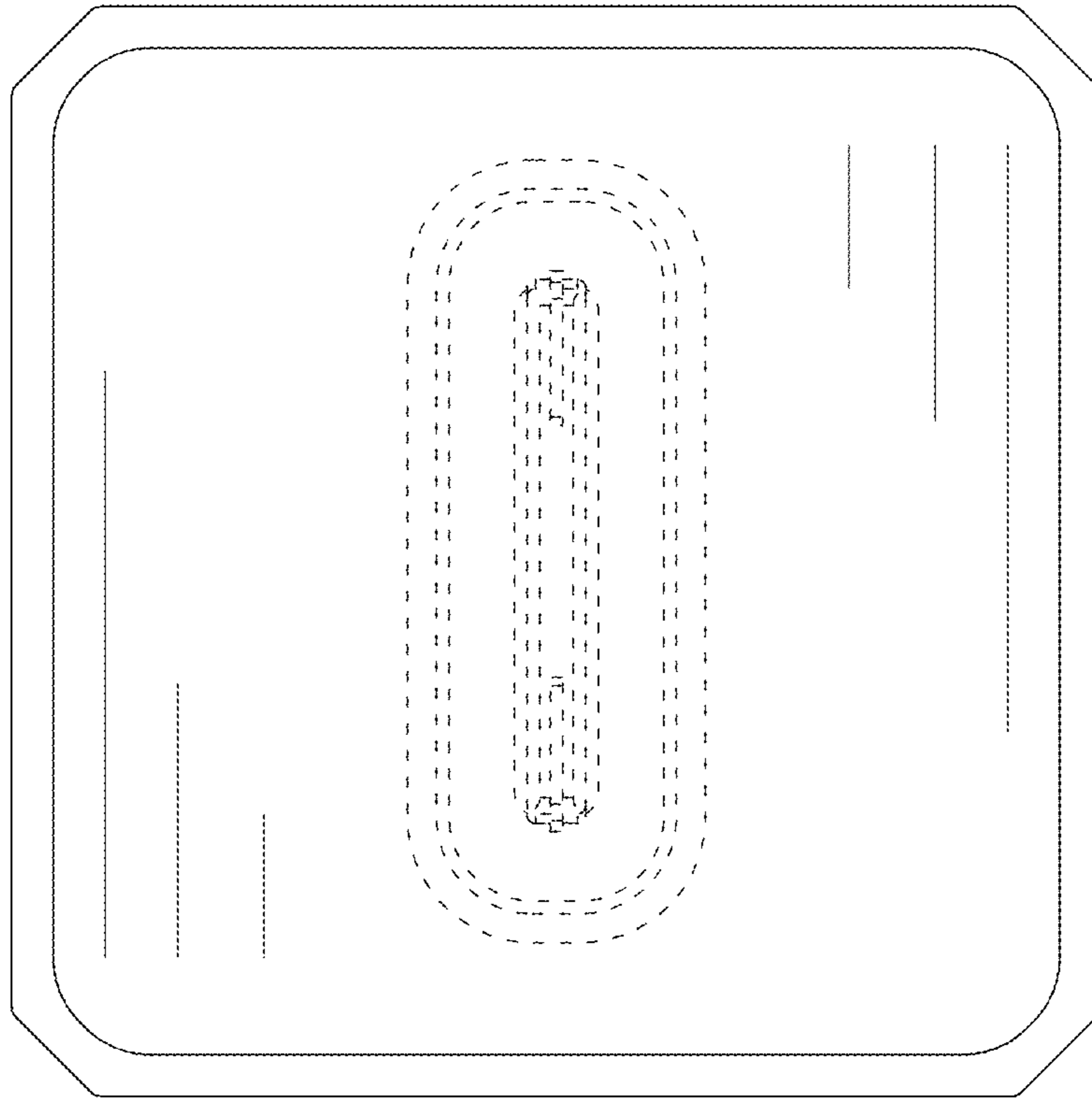


FIG. 8

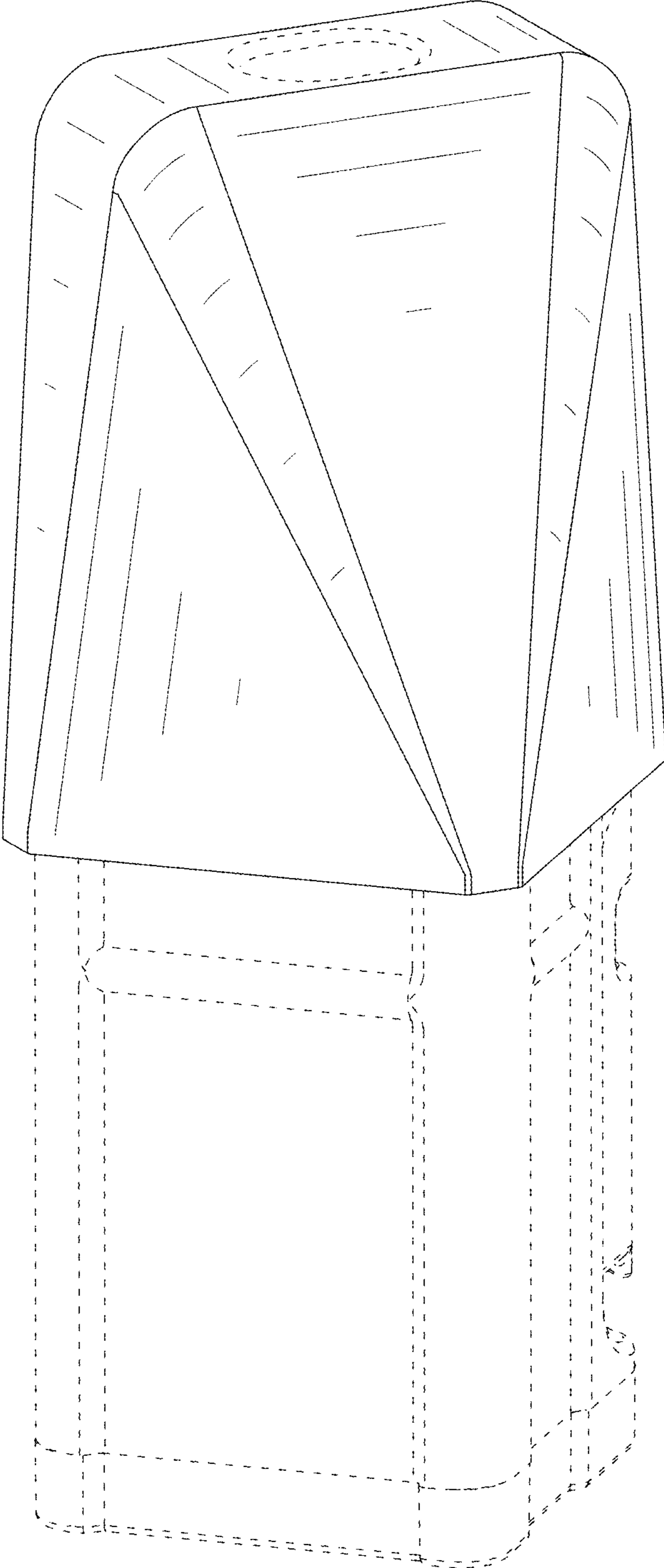


FIG. 9

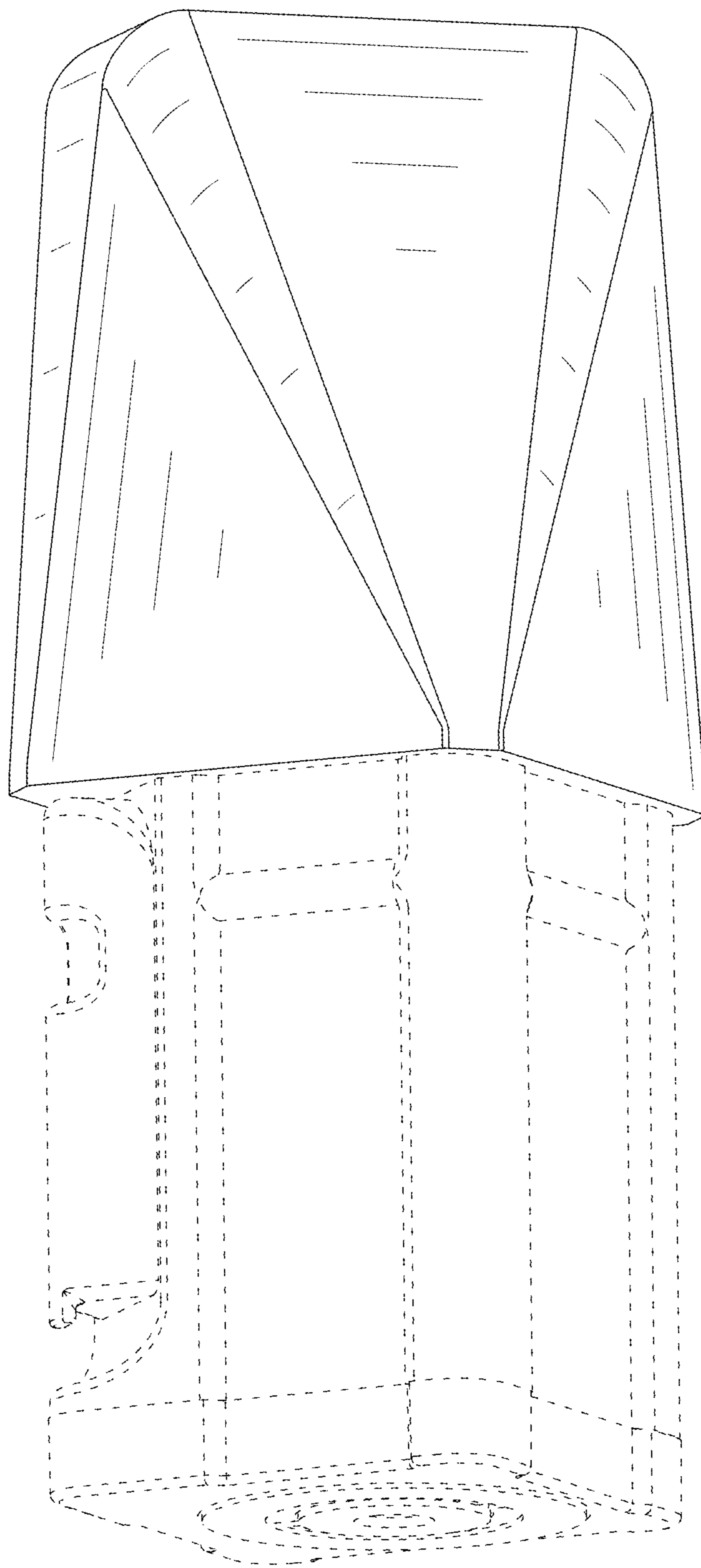


FIG. 10

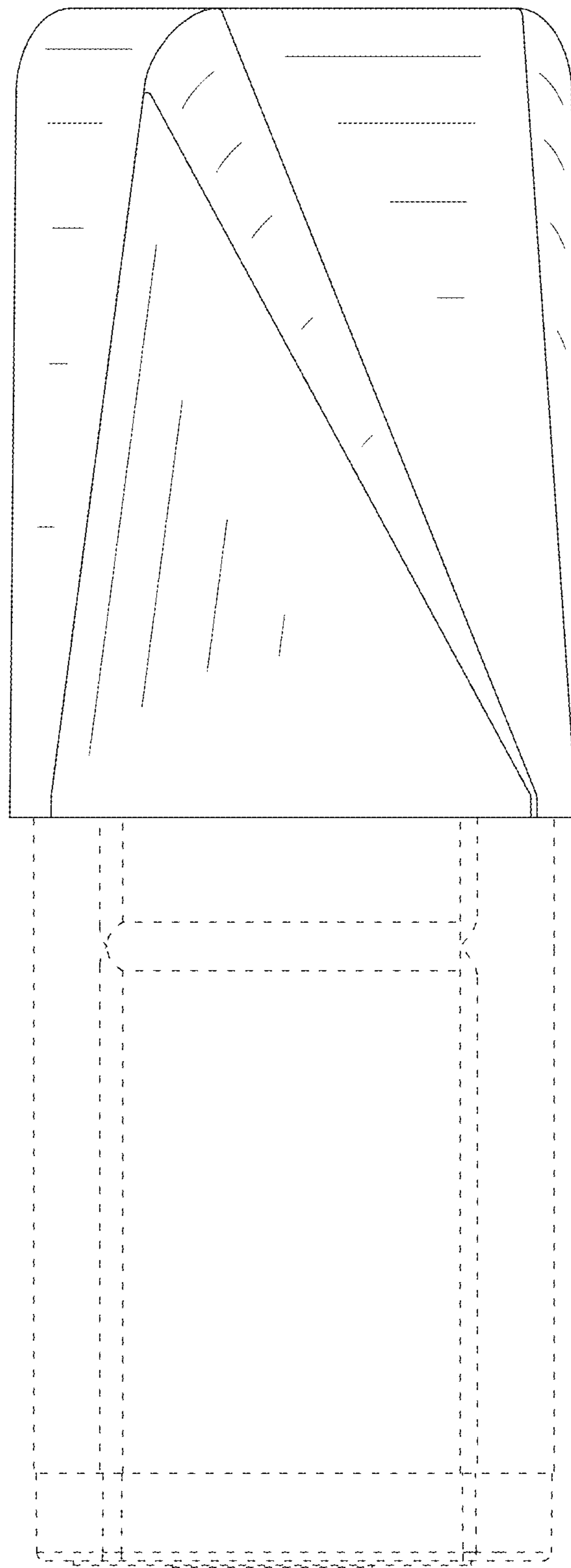


FIG. 11

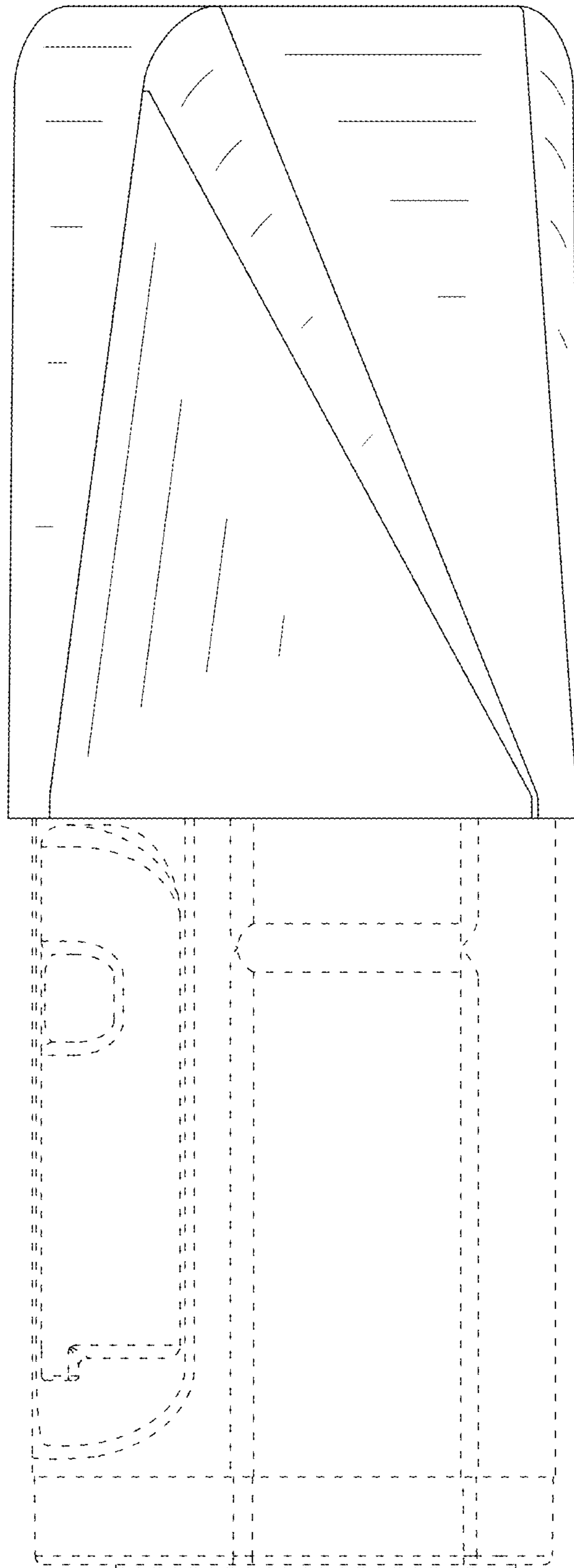


FIG. 12

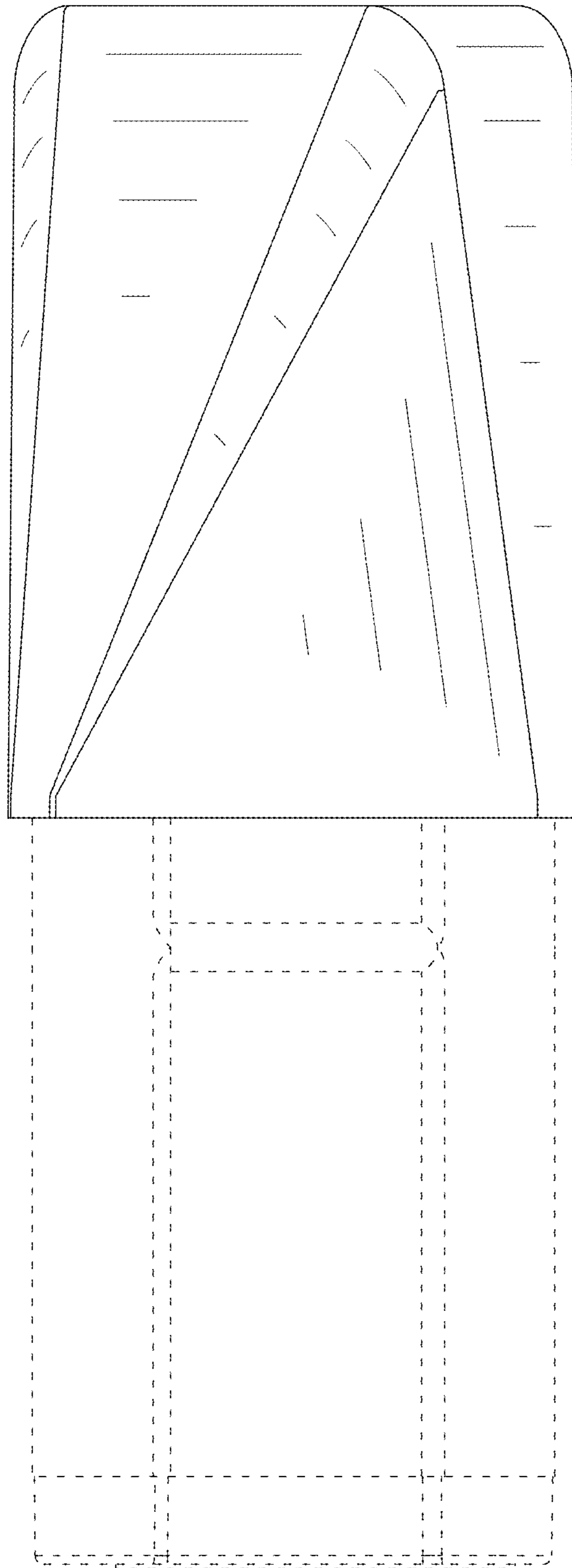


FIG. 13

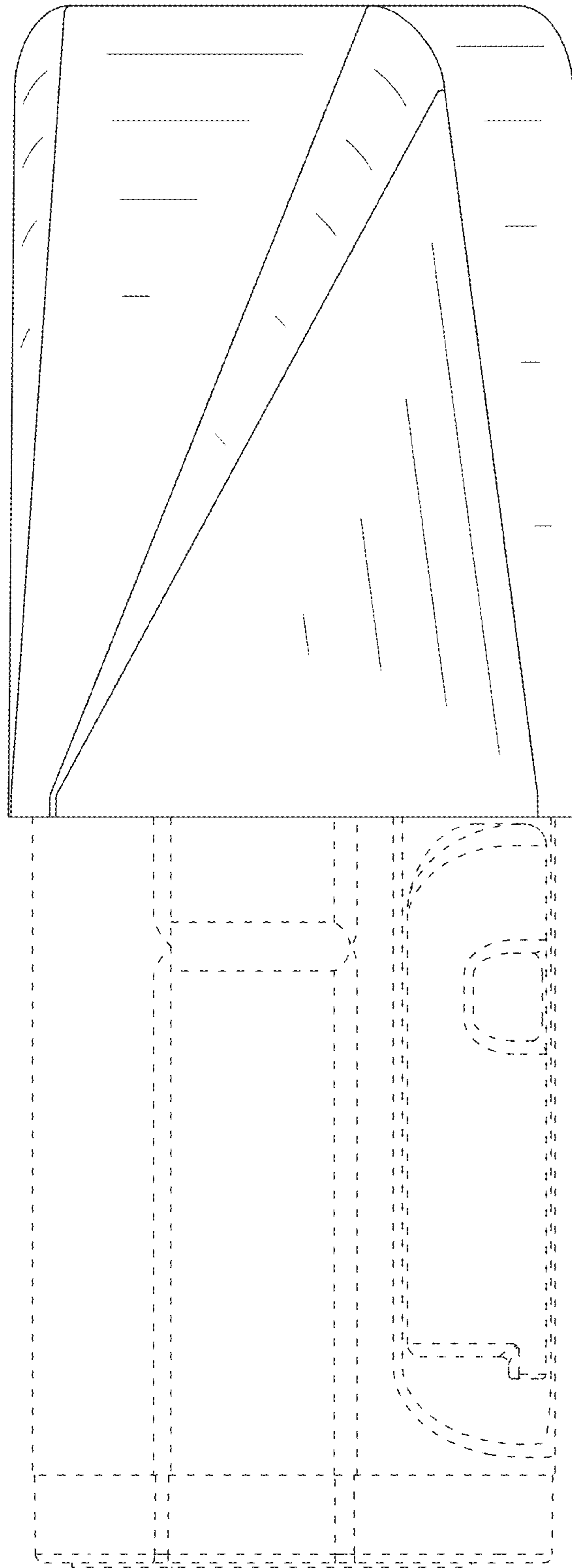


FIG. 14

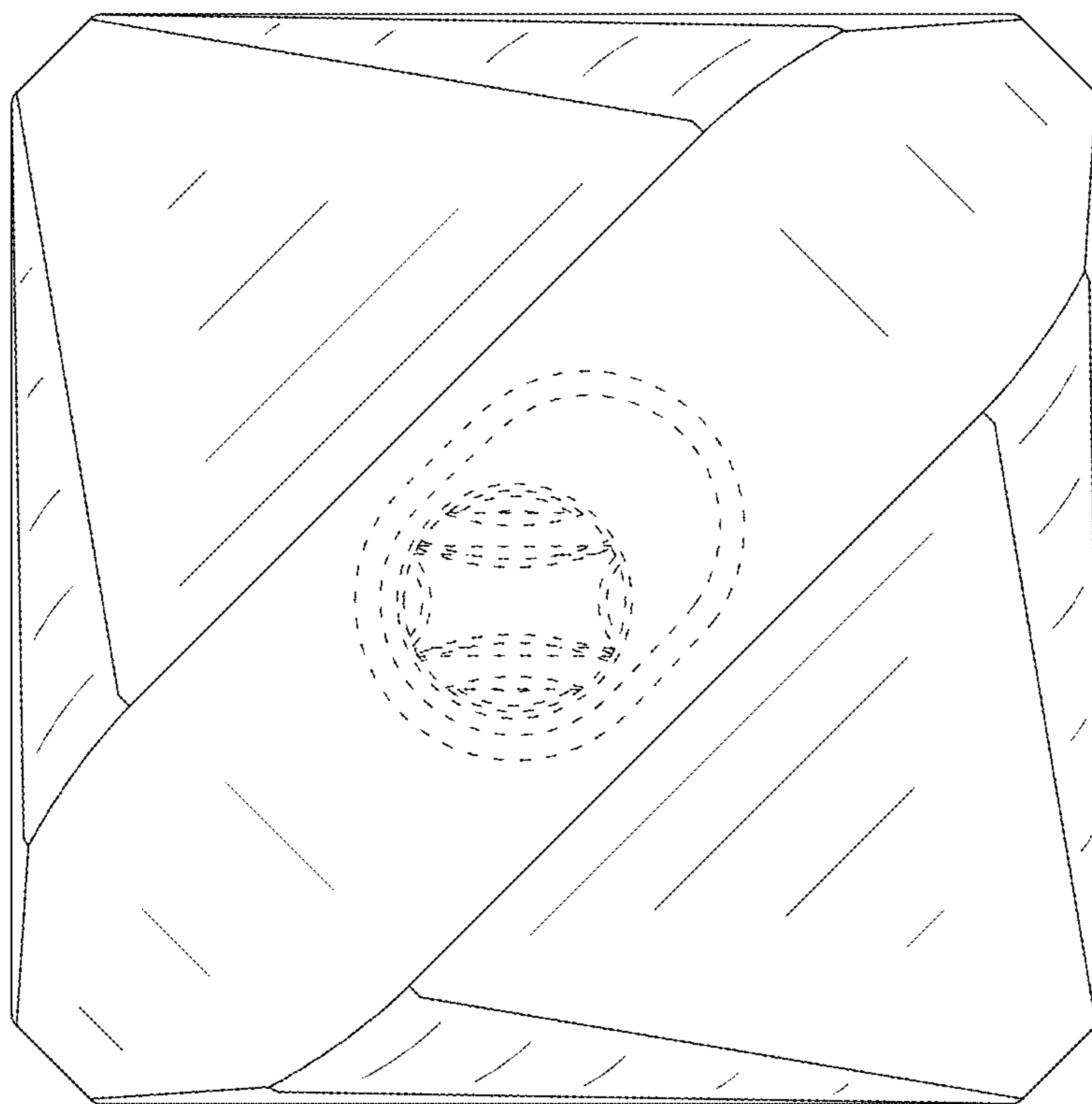


FIG. 15

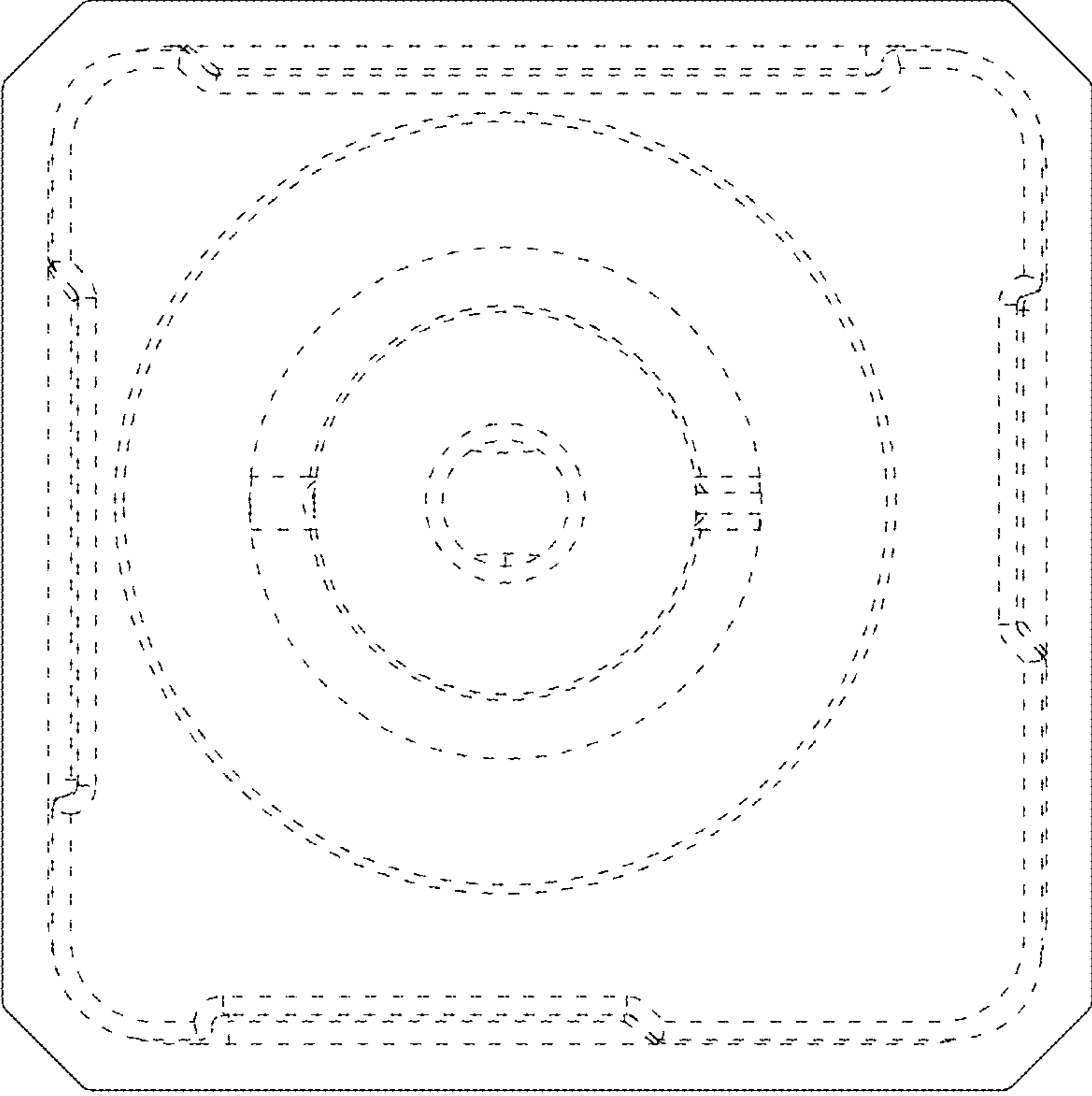


FIG. 16

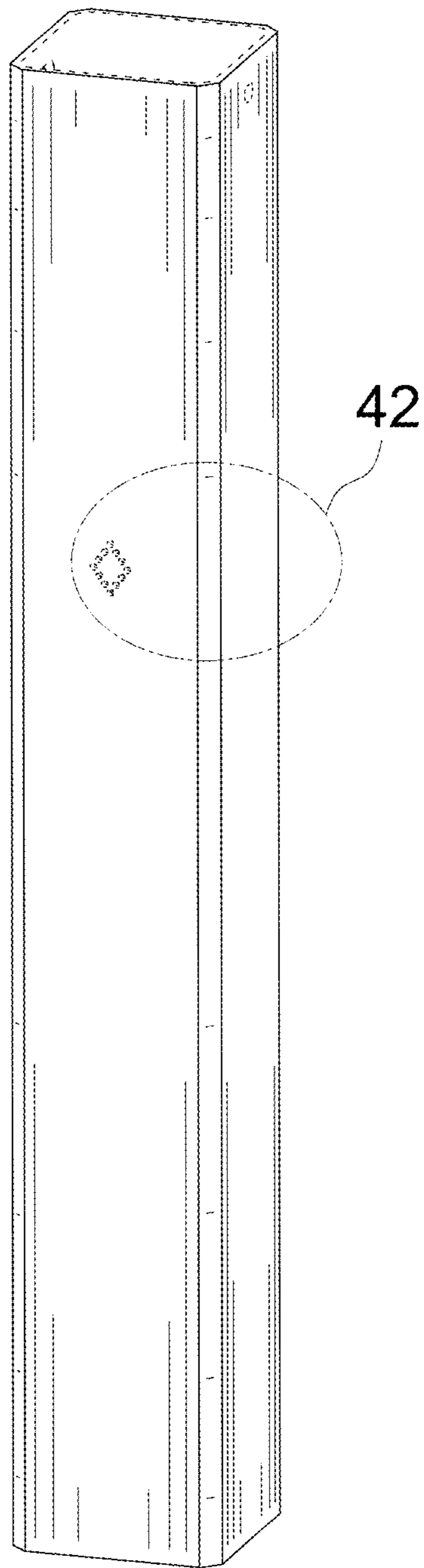


FIG. 17

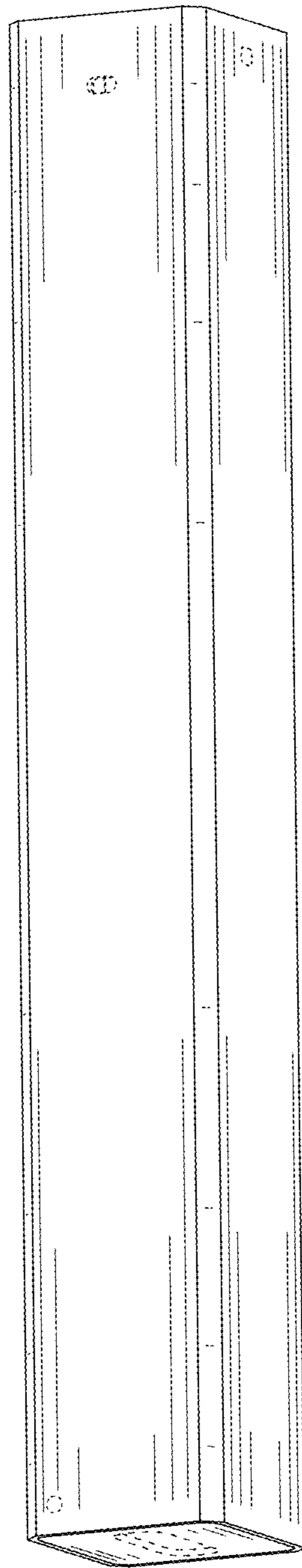


FIG. 18

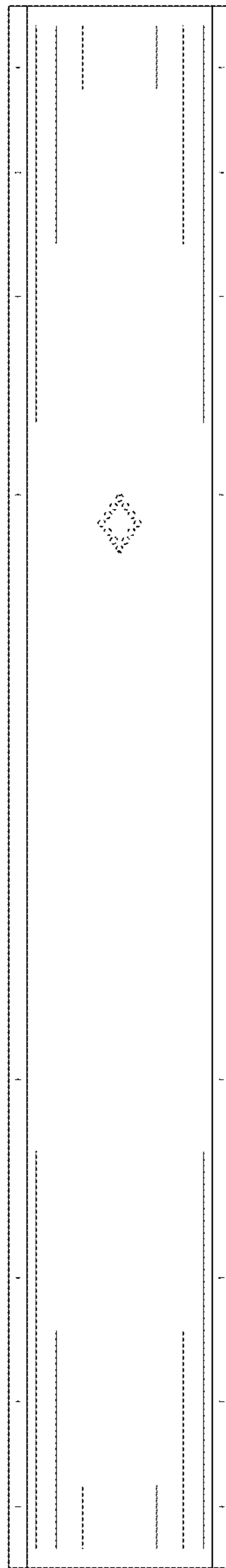


FIG. 19

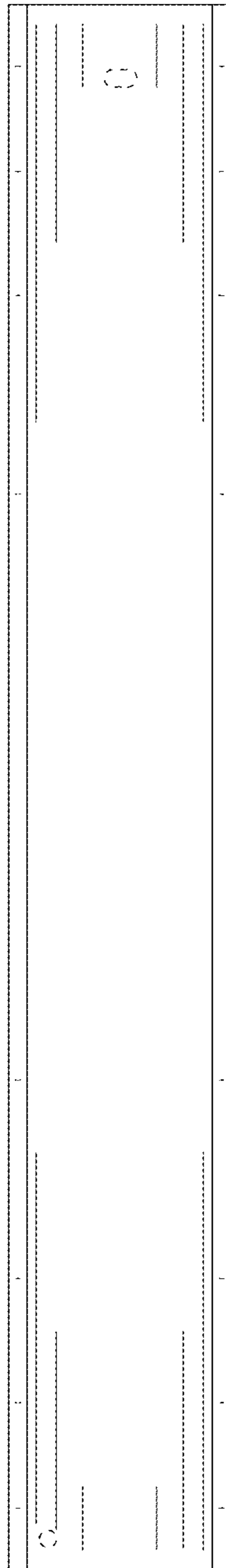


FIG. 20

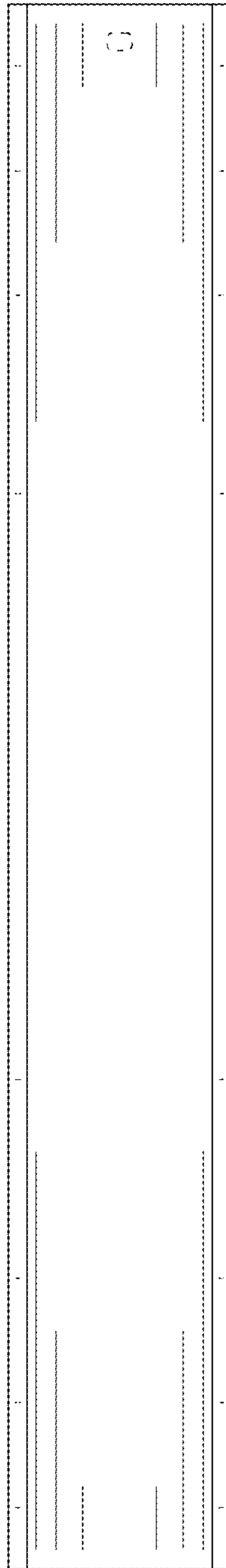


FIG. 21

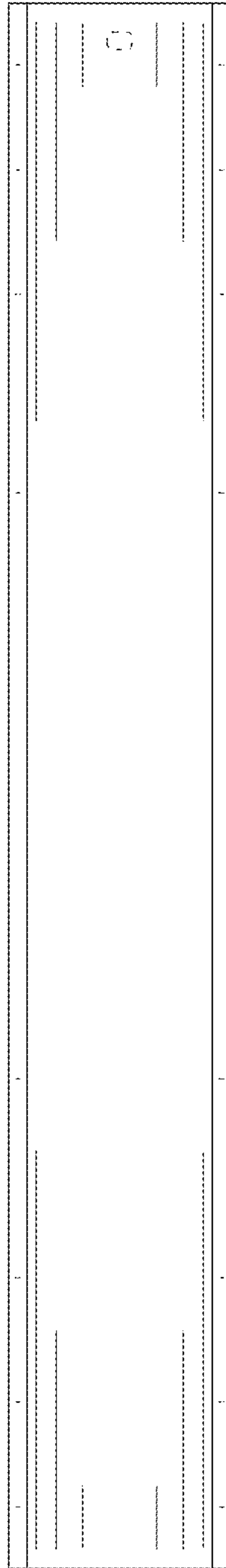


FIG. 22

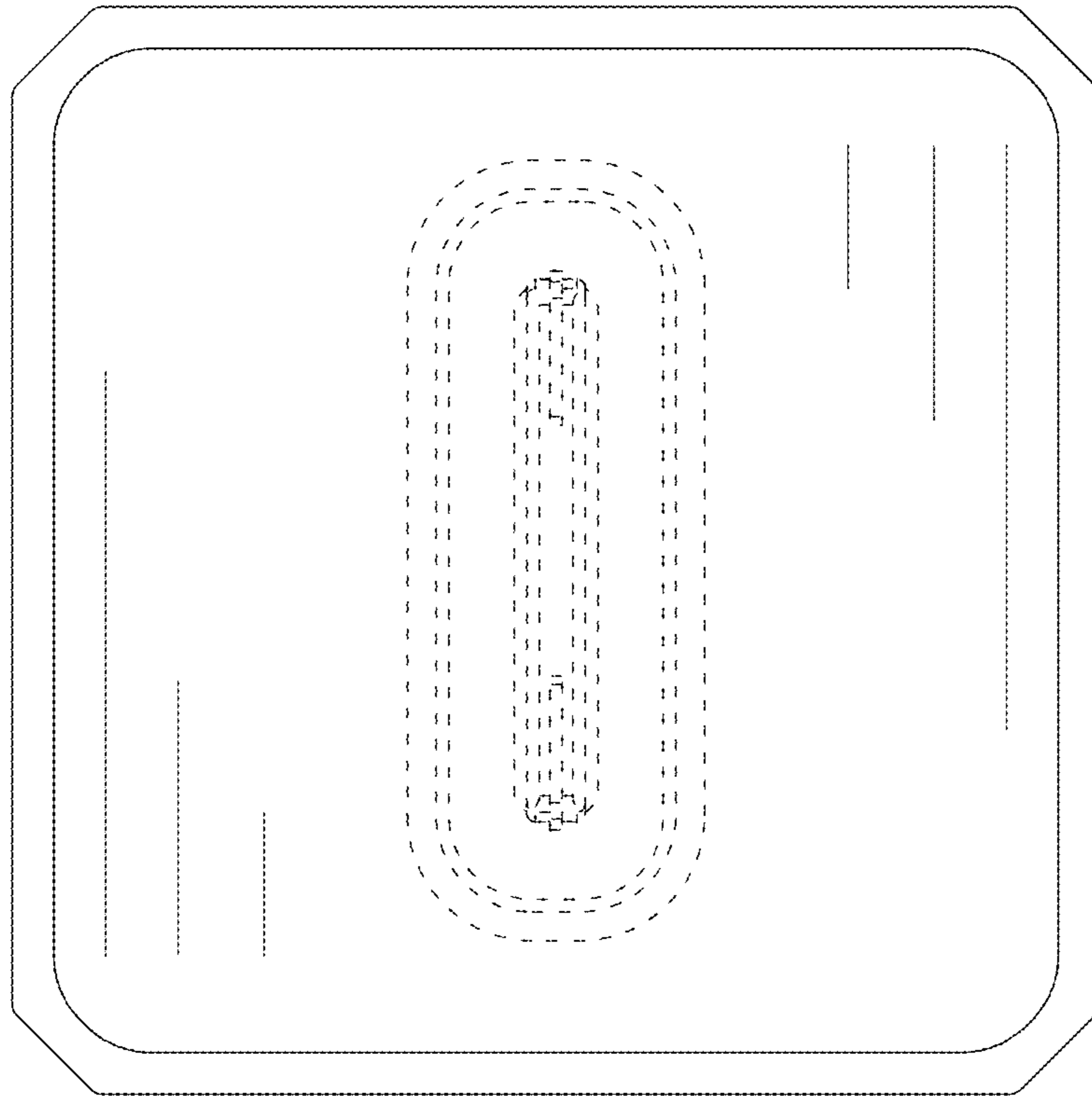


FIG. 24

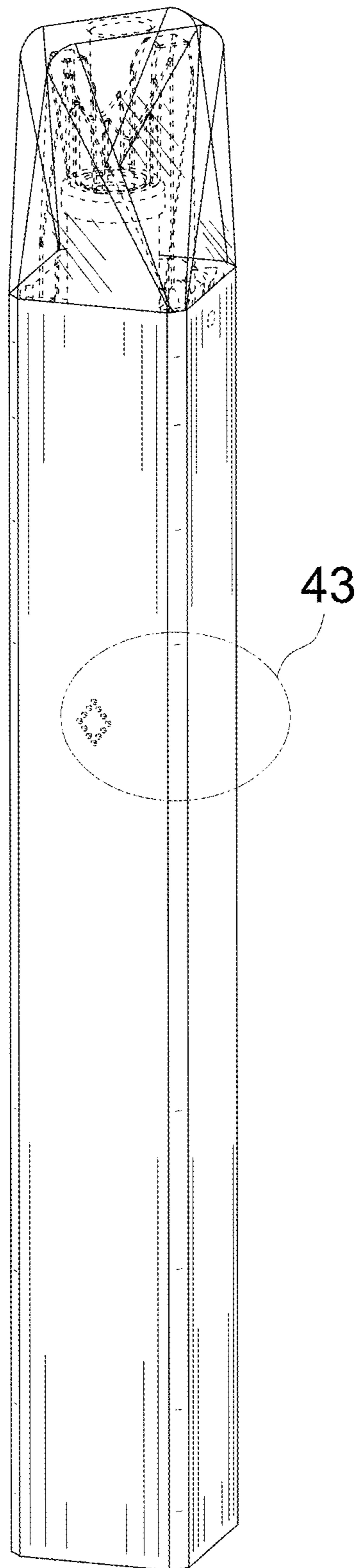


FIG. 25

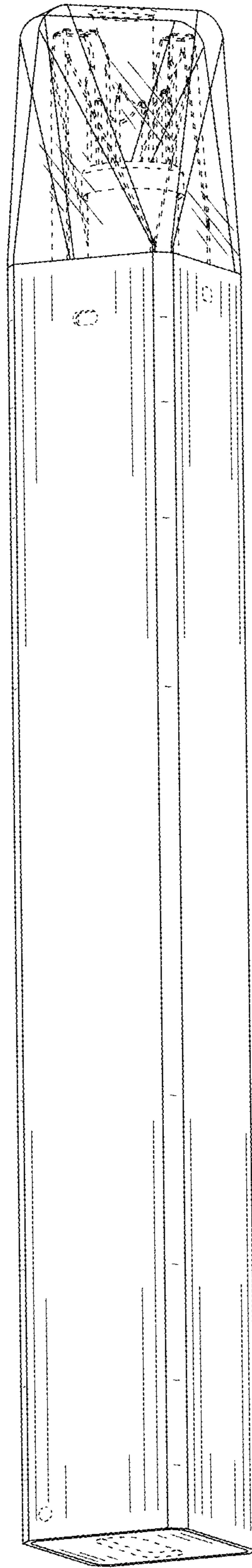


FIG. 26

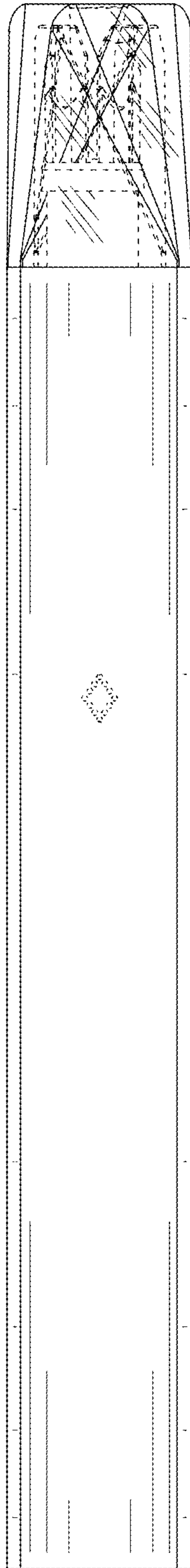


FIG. 27

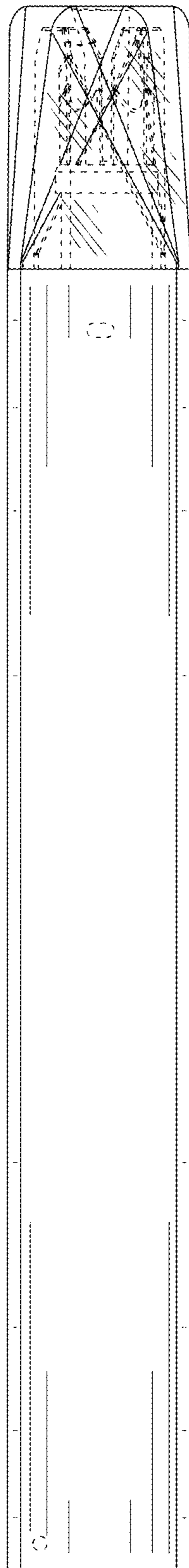


FIG. 28

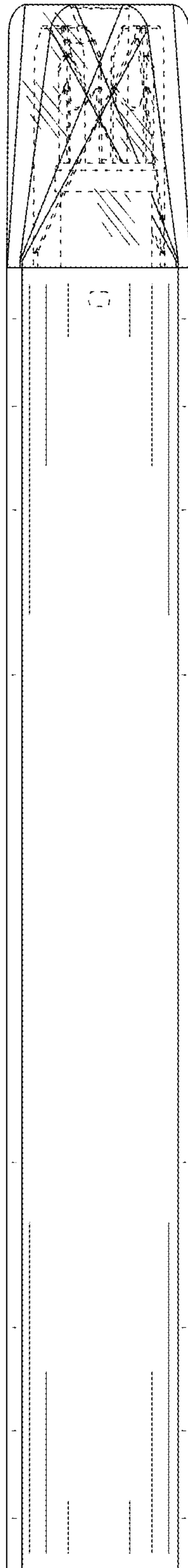


FIG. 29

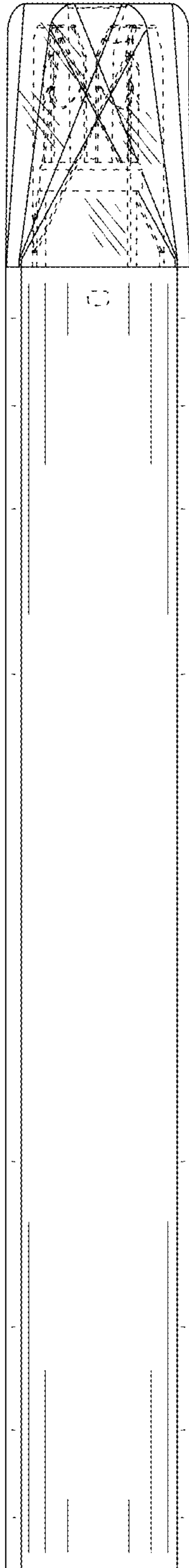


FIG. 30

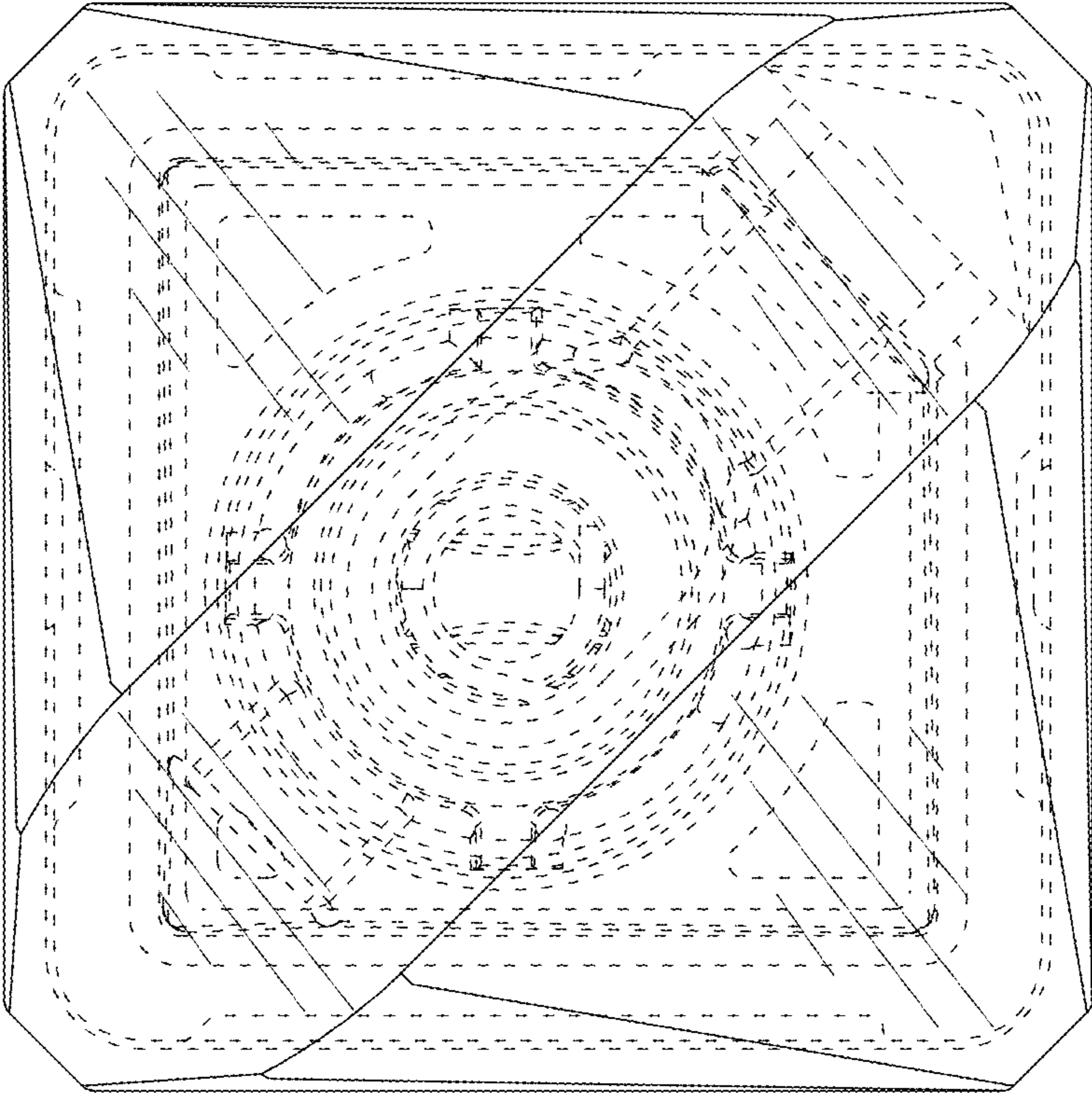


FIG. 31

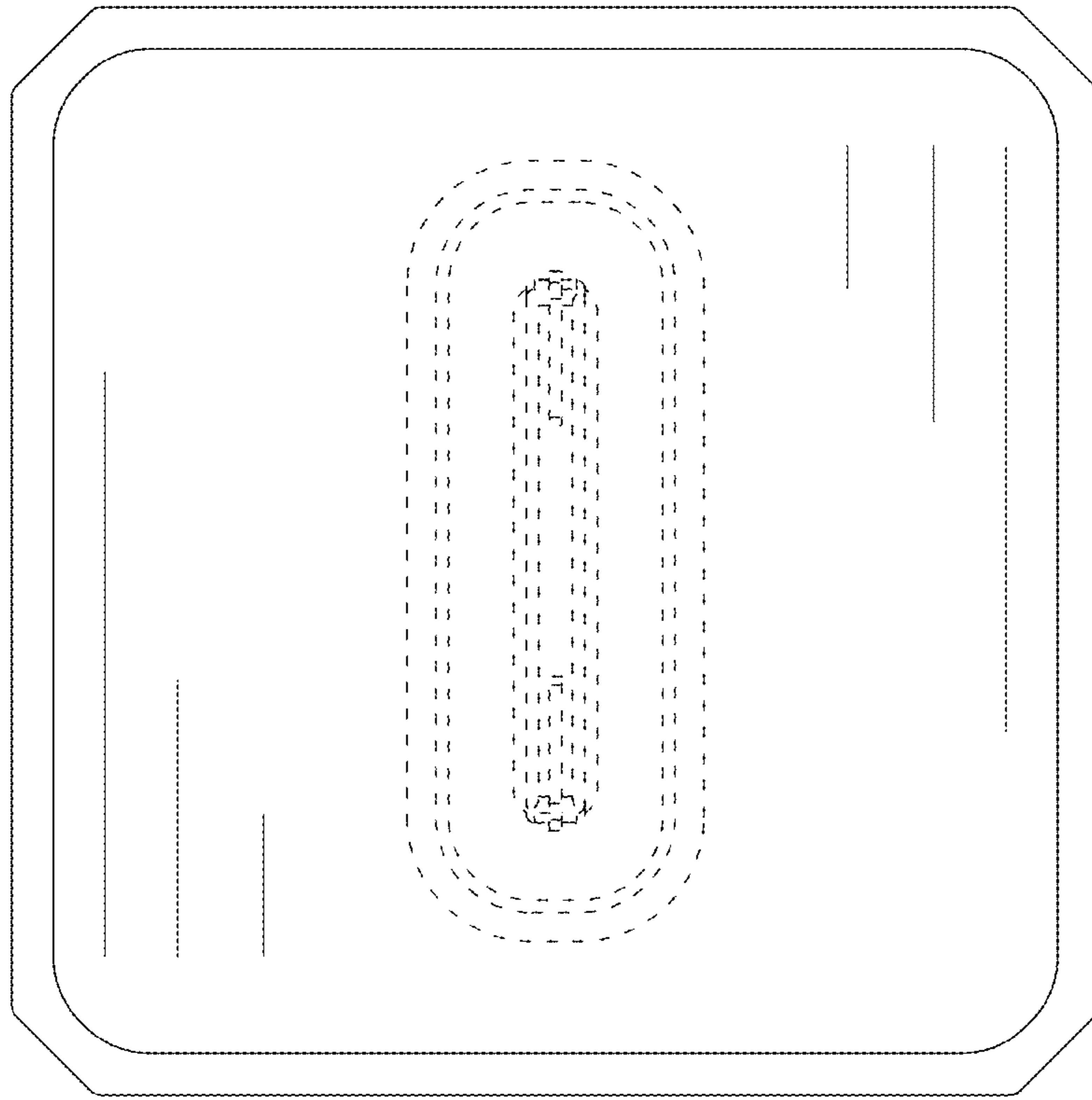


FIG. 32

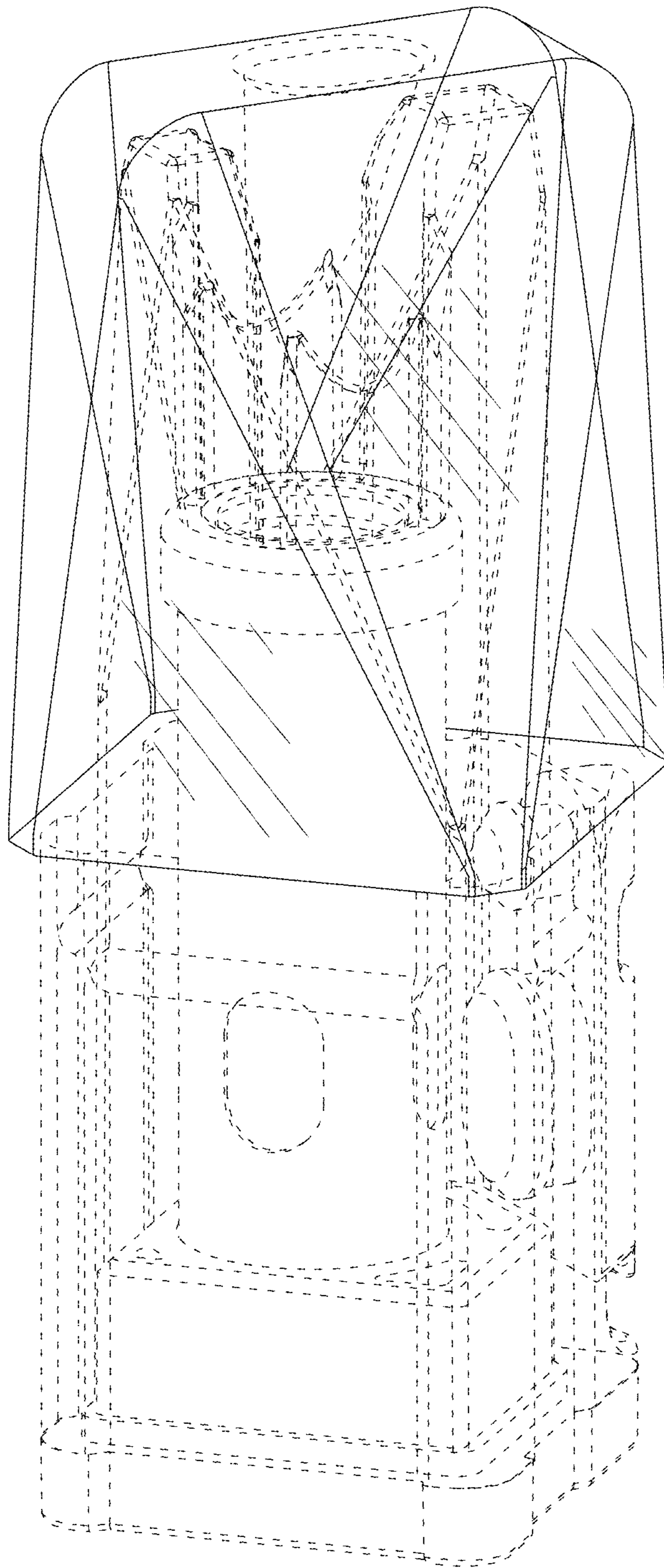


FIG. 33

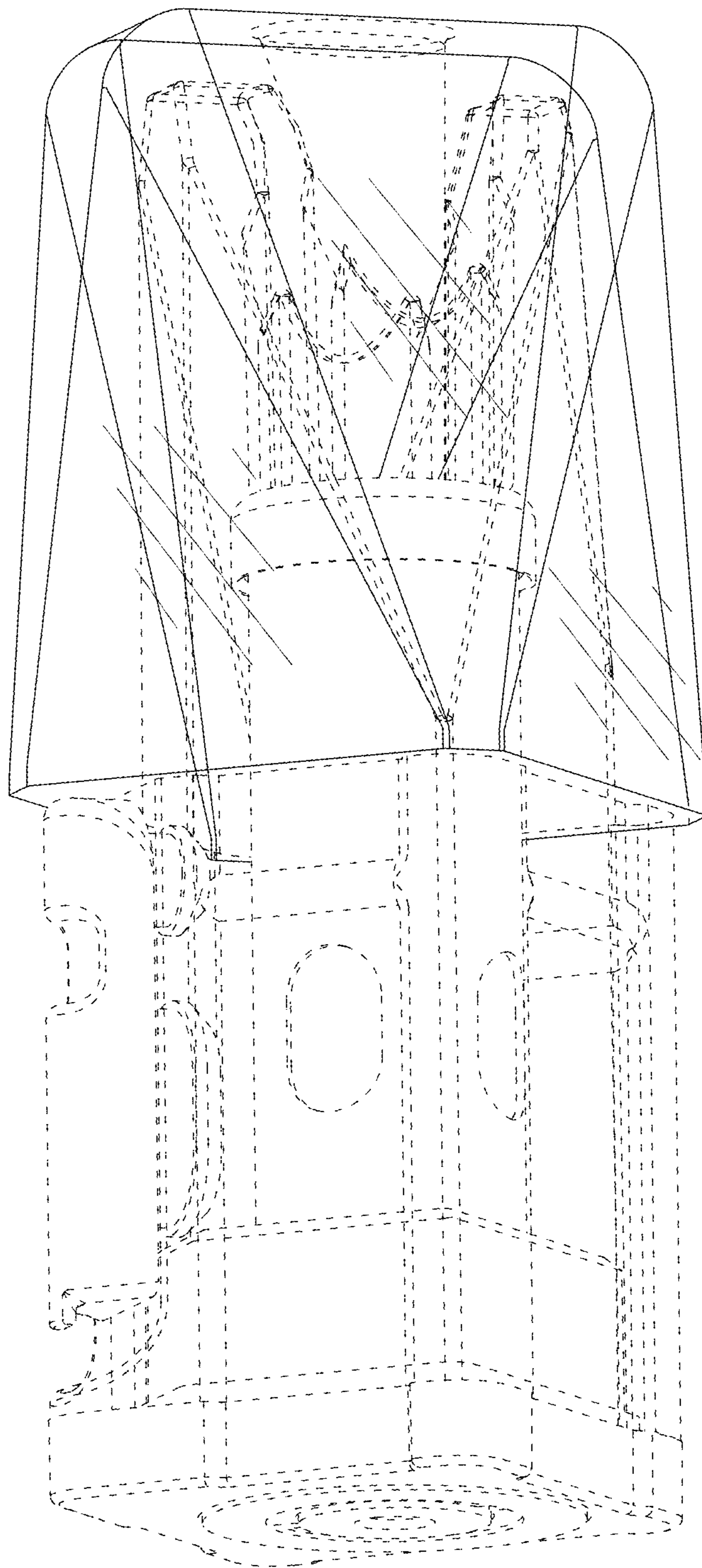


FIG. 34

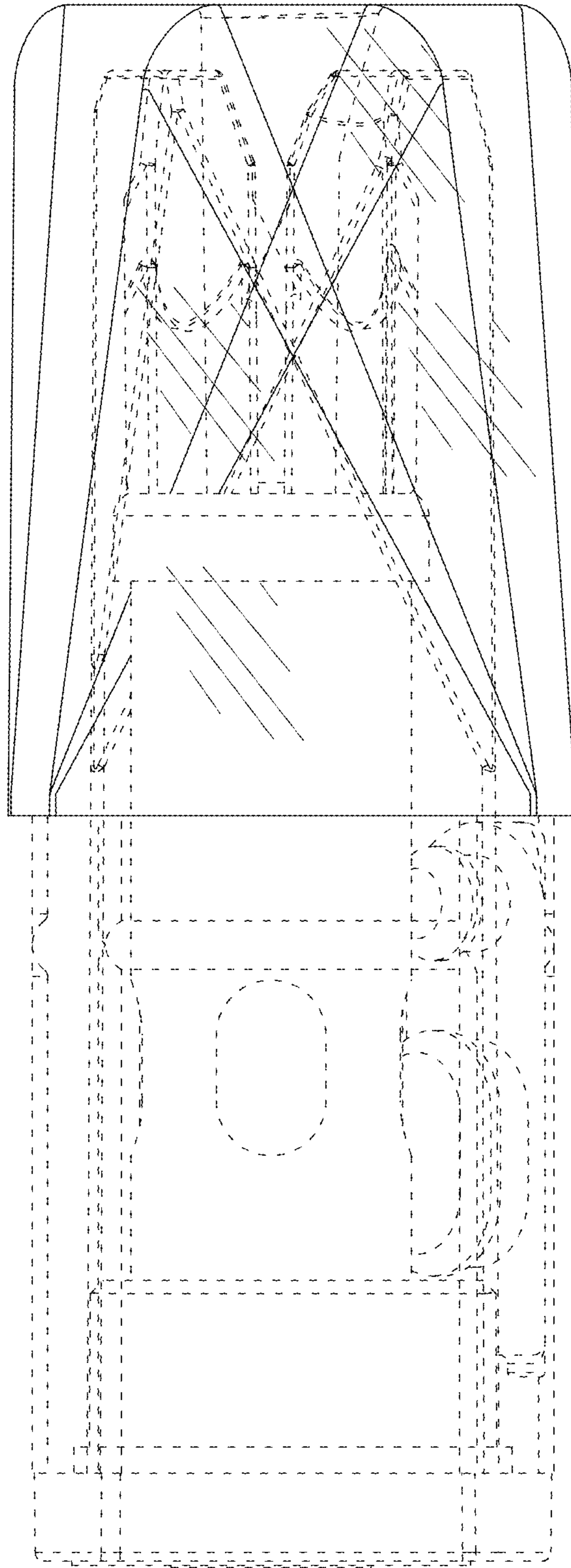


FIG. 35

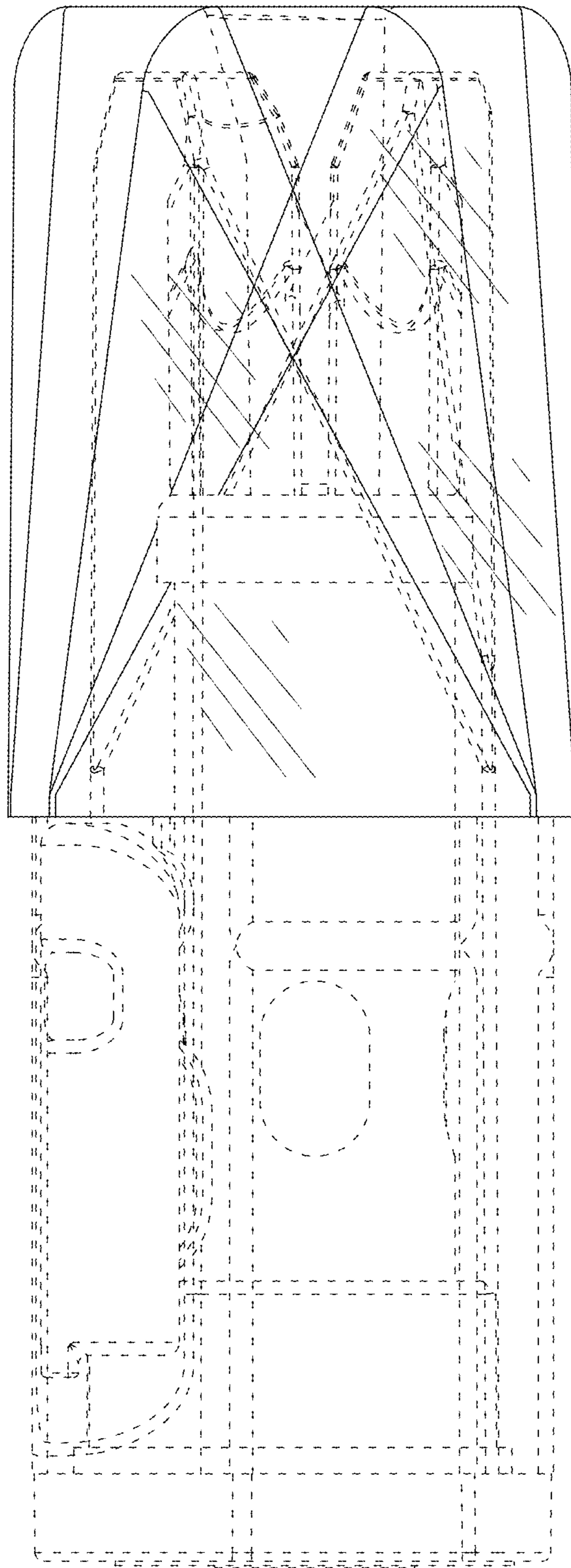


FIG. 36

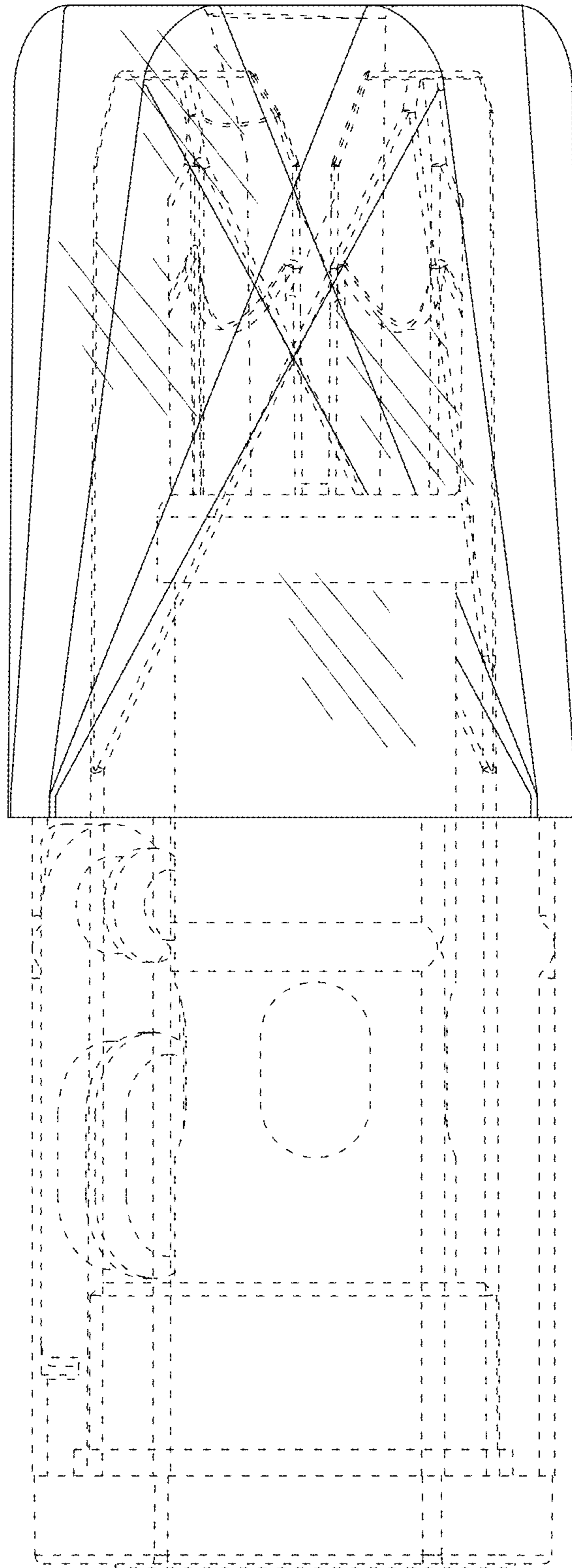


FIG. 37

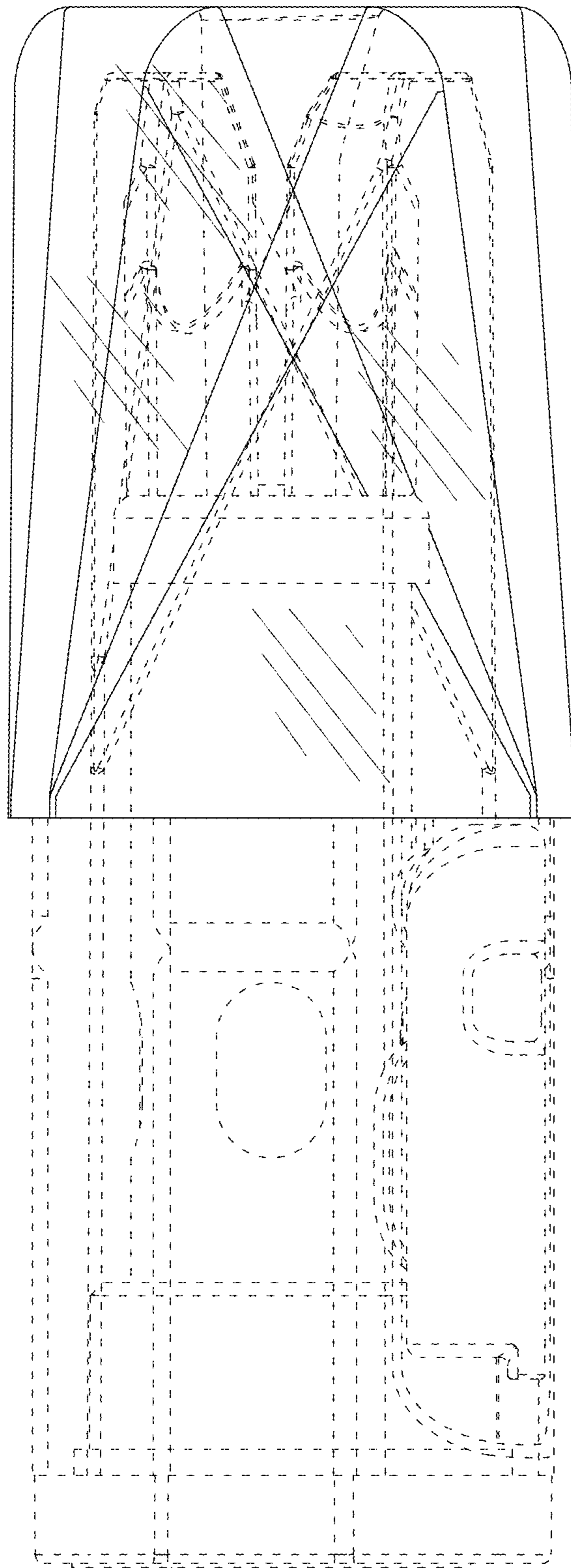


FIG. 38

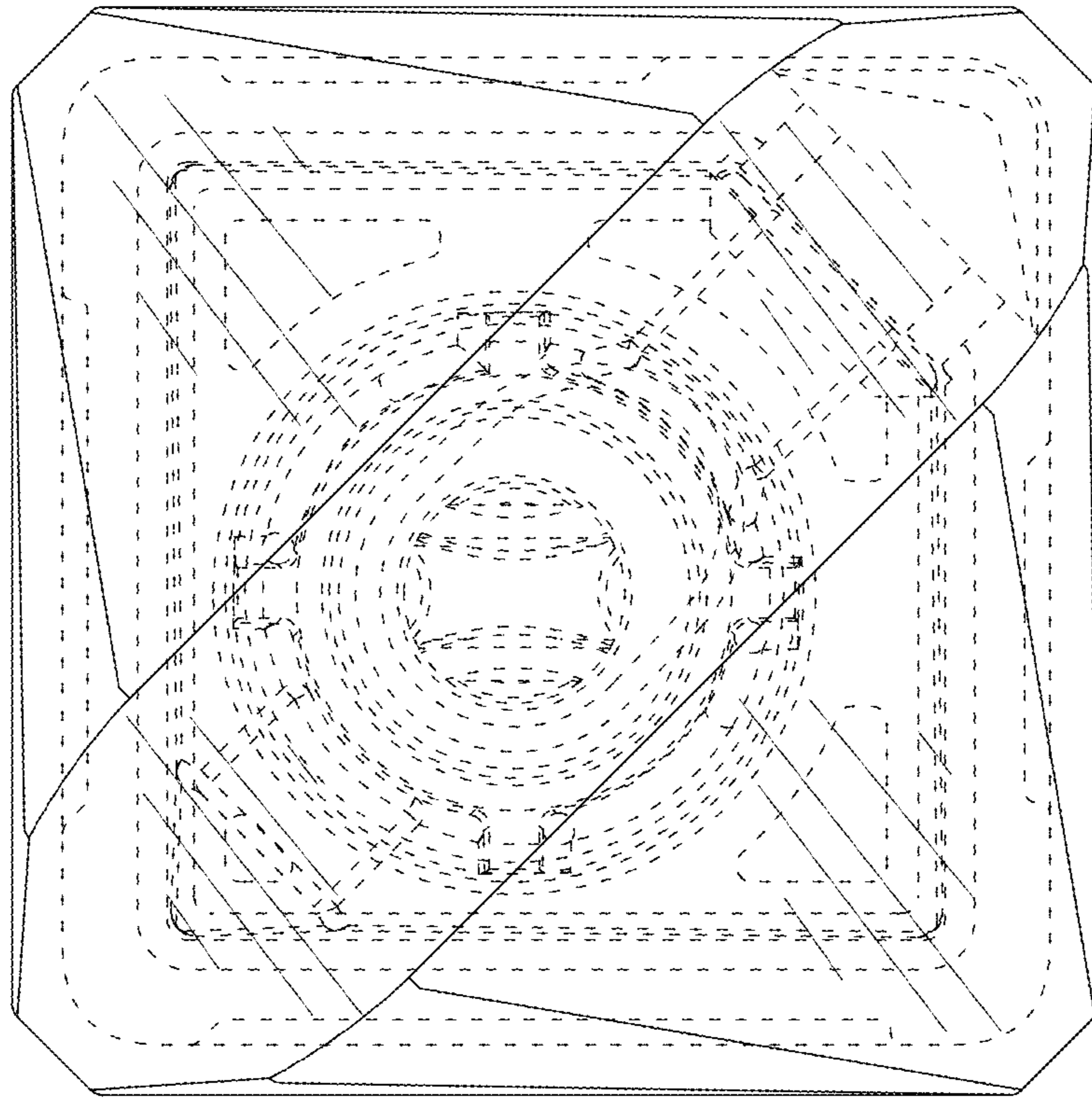


FIG. 39

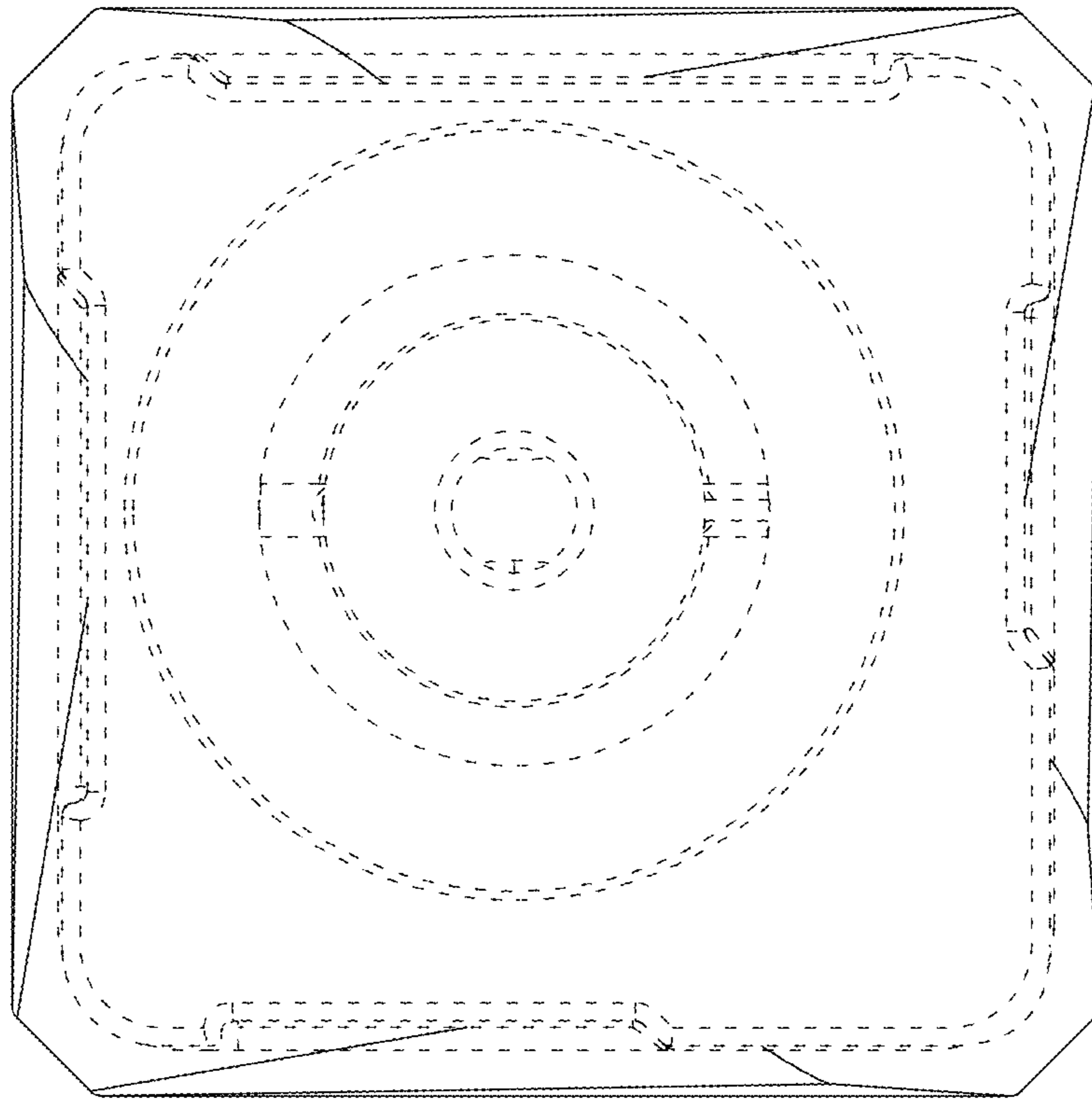


FIG. 40

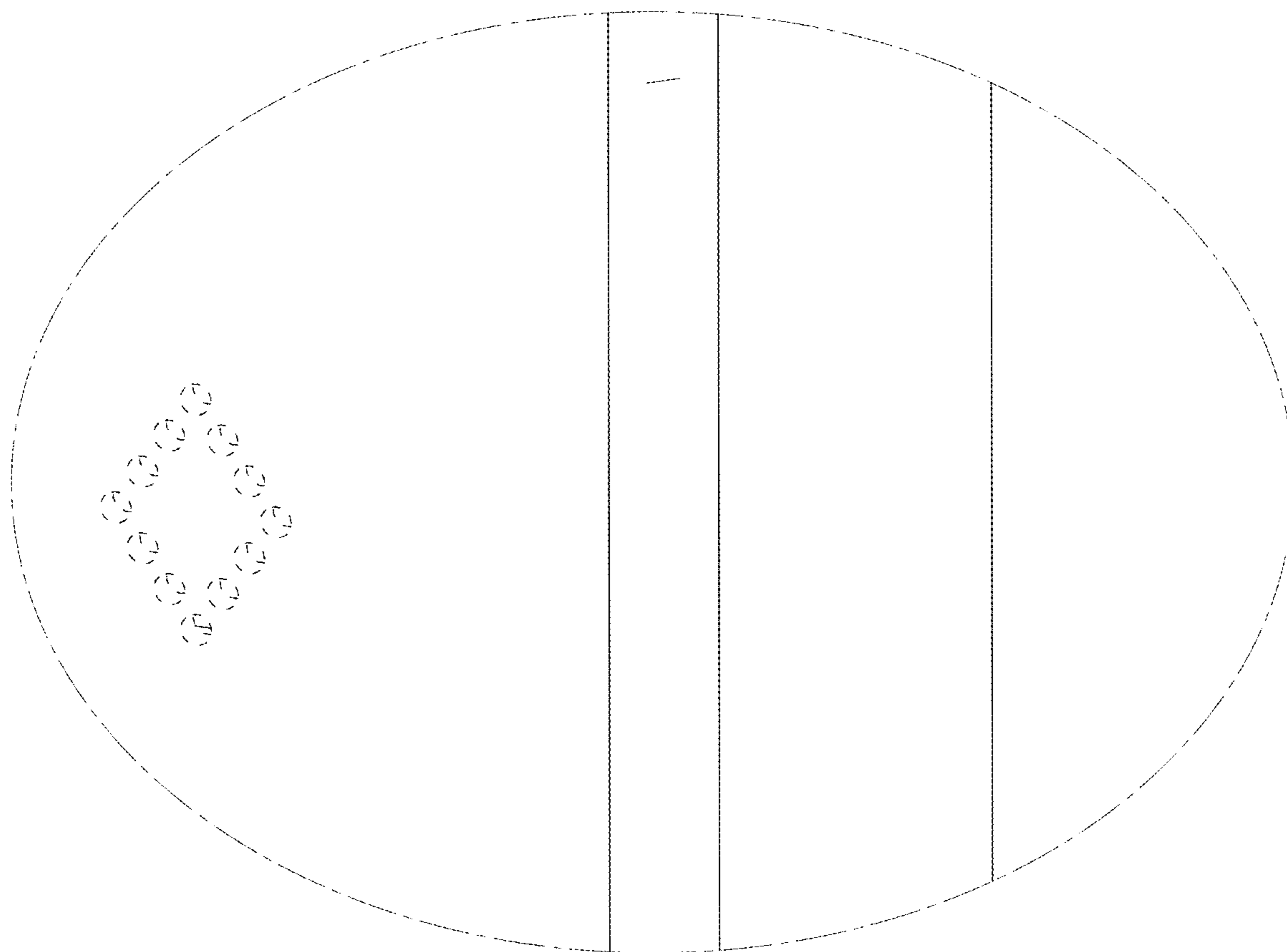


FIG. 41

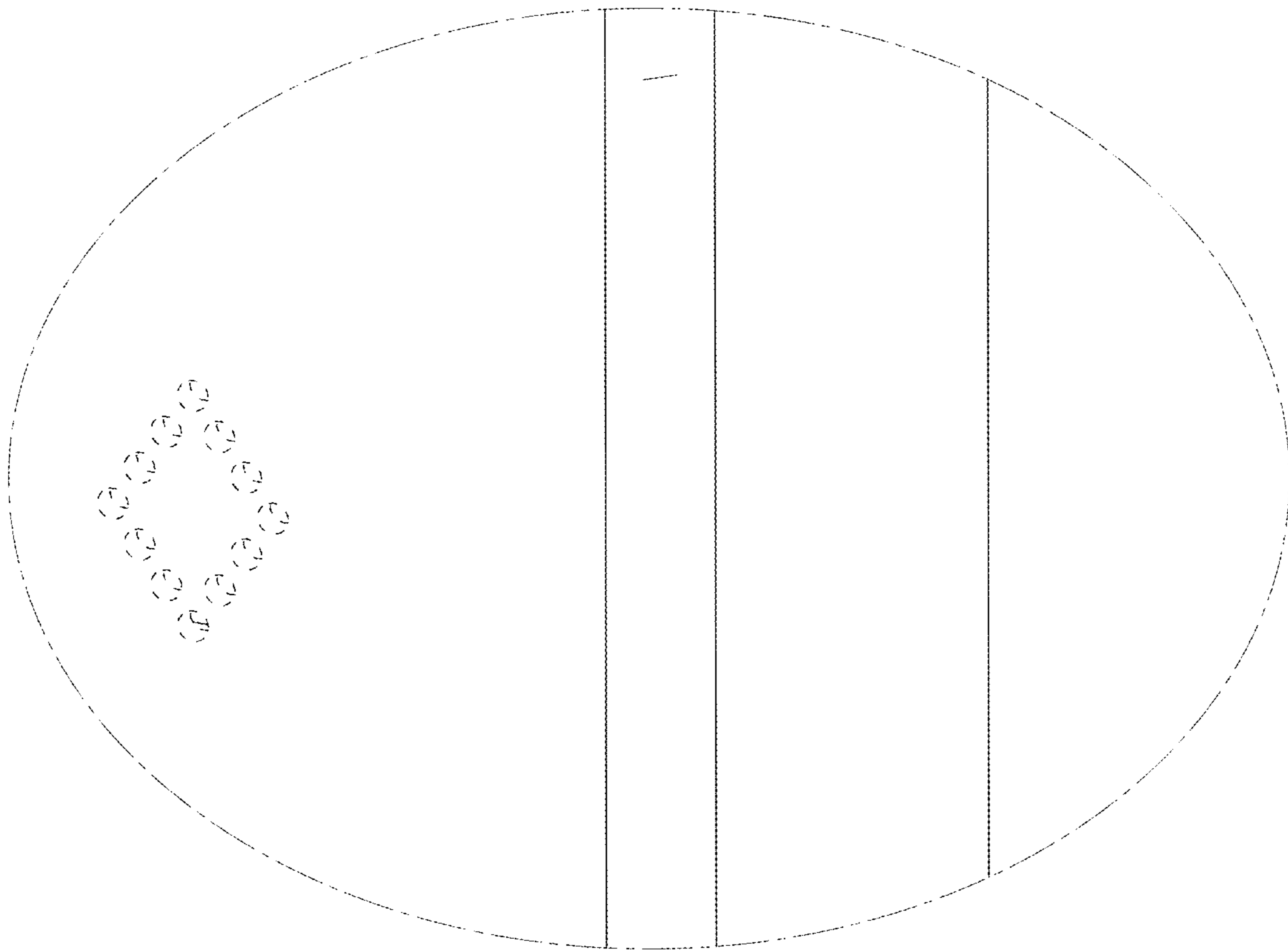


FIG. 42

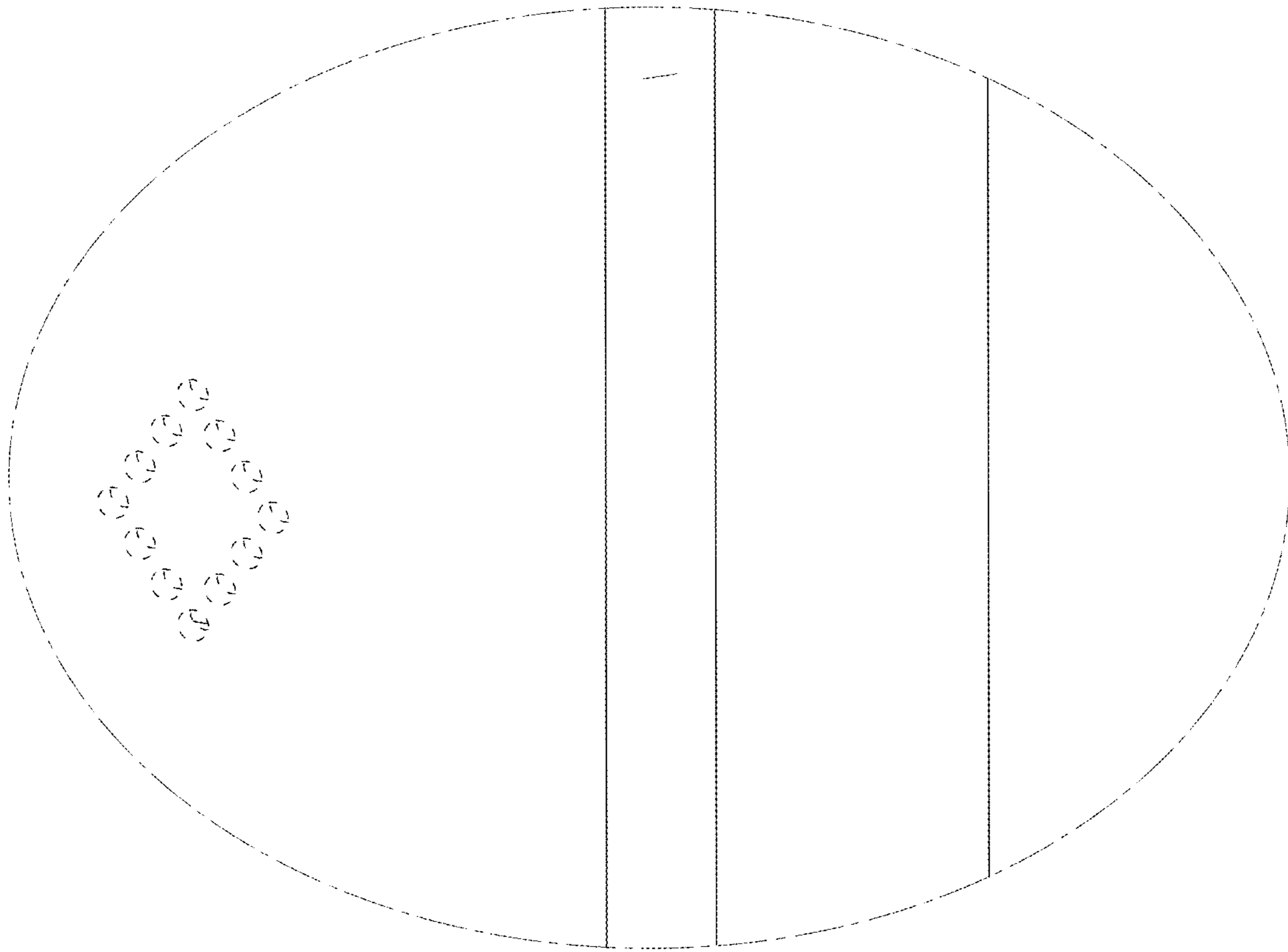


FIG. 43