



US00D950836S

(12) **United States Design Patent**
Hannawa

(10) **Patent No.:** **US D950,836 S**

(45) **Date of Patent:** **** May 3, 2022**

(54) **TRAVEL KIT**

2018/0029785 A1* 2/2018 Mitten B65D 85/20
2021/0068452 A1* 3/2021 Hannawa A24F 15/01

(71) Applicant: **Ashh, Inc.**, Oak Park, MI (US)

* cited by examiner

(72) Inventor: **Danny Hannawa**, Farmington Hills, MI (US)

Primary Examiner — Charles D Hanson

(74) *Attorney, Agent, or Firm* — Honigman LLP

(73) Assignee: **Ashh, Inc.**, Oak Park, MI (US)

(57) **CLAIM**

I claim the ornamental design for a travel kit, as shown and described.

(**) Term: **15 Years**

DESCRIPTION

(21) Appl. No.: **29/705,363**

(22) Filed: **Sep. 11, 2019**

(51) **LOC (13) Cl.** **27-02**

(52) **U.S. Cl.**
USPC **D27/162**

(58) **Field of Classification Search**
USPC D27/162

CPC B65D 85/10; B65D 85/20
See application file for complete search history.

FIG. 1 is a left side perspective view of a travel kit in accordance with the principles of the present disclosure; FIG. 2 is a front view of the travel kit of FIG. 1; FIG. 3 is a rear view of the travel kit of FIG. 1; FIG. 4 is a right side view of the travel kit of FIG. 1; FIG. 5 is a left side view of the travel kit of FIG. 1; FIG. 6 is a top view of the travel kit of FIG. 1; FIG. 7 is a bottom view of the travel kit of FIG. 1; FIG. 8 is a right side perspective view of the travel kit of FIG. 1 in a first configuration in which a plurality of closure members are in a closed position relative to a corresponding plurality of apertures; and, FIG. 9 is a right side perspective view of the travel kit of FIG. 1 in a second configuration in which a plurality of closure members are in an open position relative to a corresponding plurality of apertures.

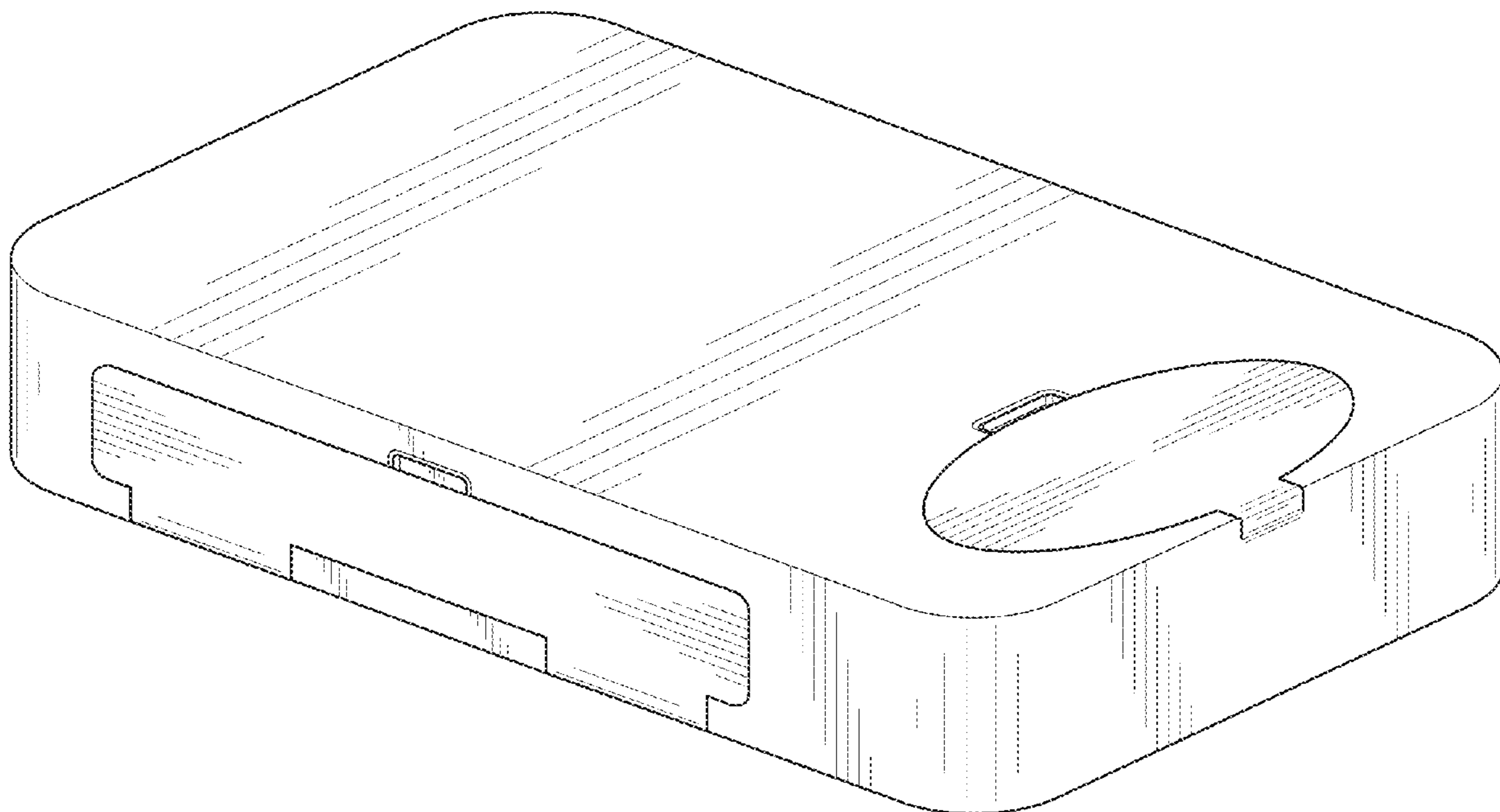
While certain features, such as closure members and apertures, for example, of the travel kit are shown in solid lines, it should be appreciated that one or more of these certain features may be shown in broken lines forming no part of the claimed design. In this regard, broken lines in the drawing views show portions of the travel kit that form no part of the claimed design. The shade lines in the drawing views show contour and not surface ornamentation of the vaping kit.

(56) **References Cited**

U.S. PATENT DOCUMENTS

| | | | | | |
|-----------------|---|---------|----------|-------|-------------------------|
| D911,599 S | * | 2/2021 | Sun | | D27/162 |
| D914,274 S | * | 3/2021 | Vora | | D27/162 |
| D921,284 S | * | 6/2021 | Belisle | | D27/162 |
| D925,114 S | * | 7/2021 | Kim | | D27/162 |
| D932,095 S | * | 9/2021 | Liu | | D27/162 |
| D933,883 S | * | 10/2021 | Norris | | D27/162 |
| D935,091 S | * | 11/2021 | Smith | | D27/162 |
| 2016/0137395 A1 | * | 5/2016 | Fernando | | B65D 85/1081 206/223 |

1 Claim, 7 Drawing Sheets



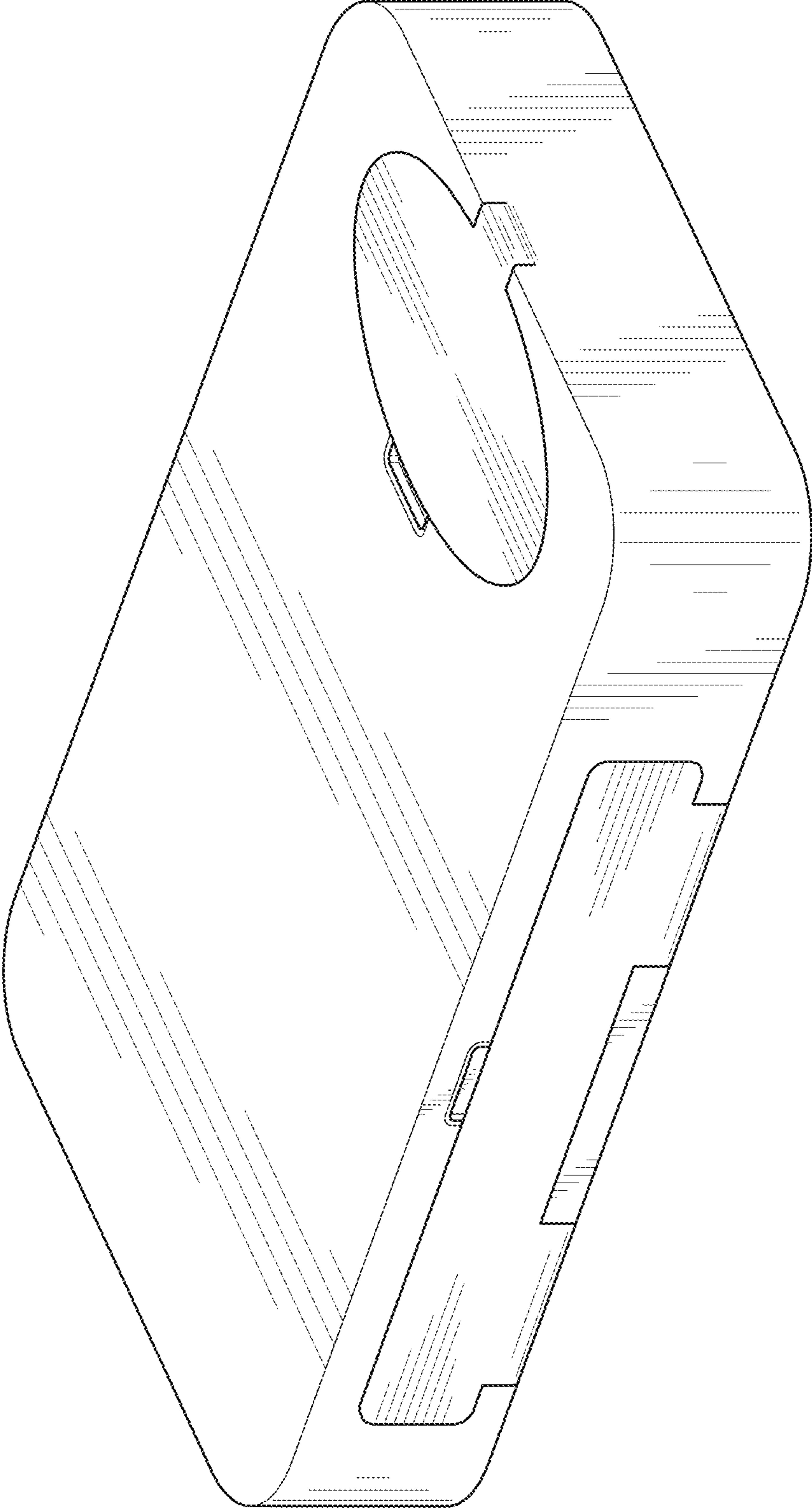


FIG. 1

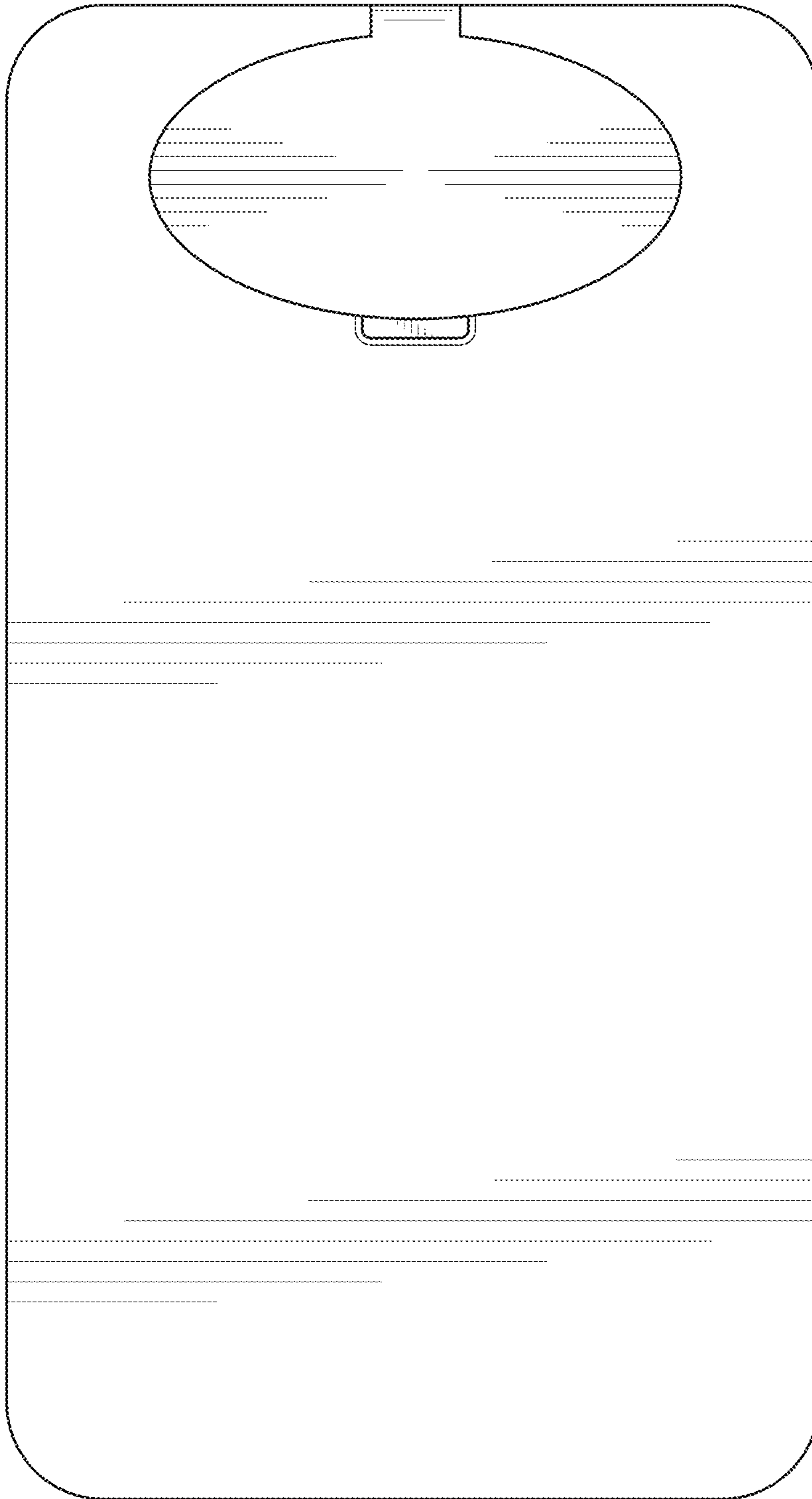


FIG. 2

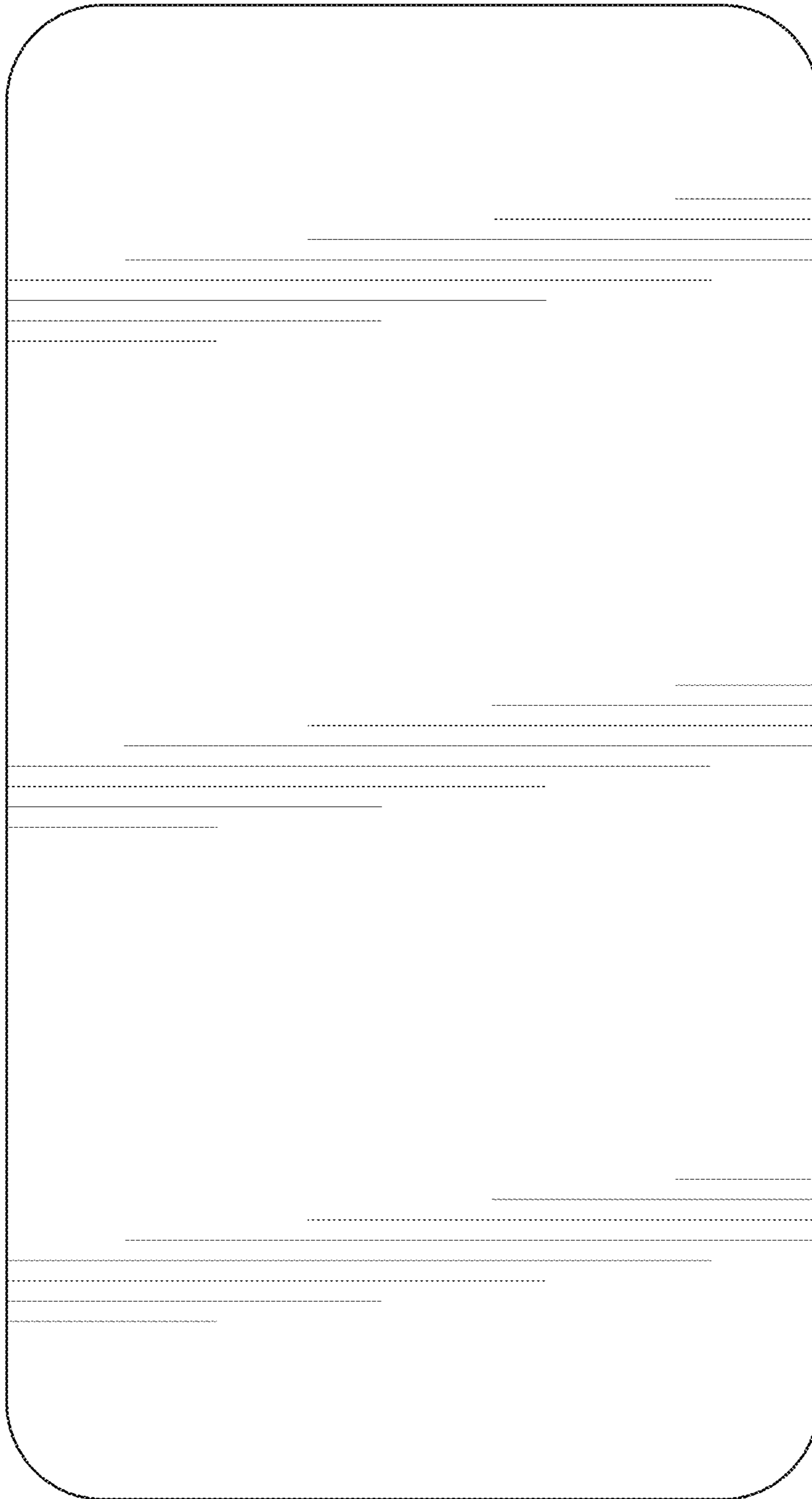


FIG. 3

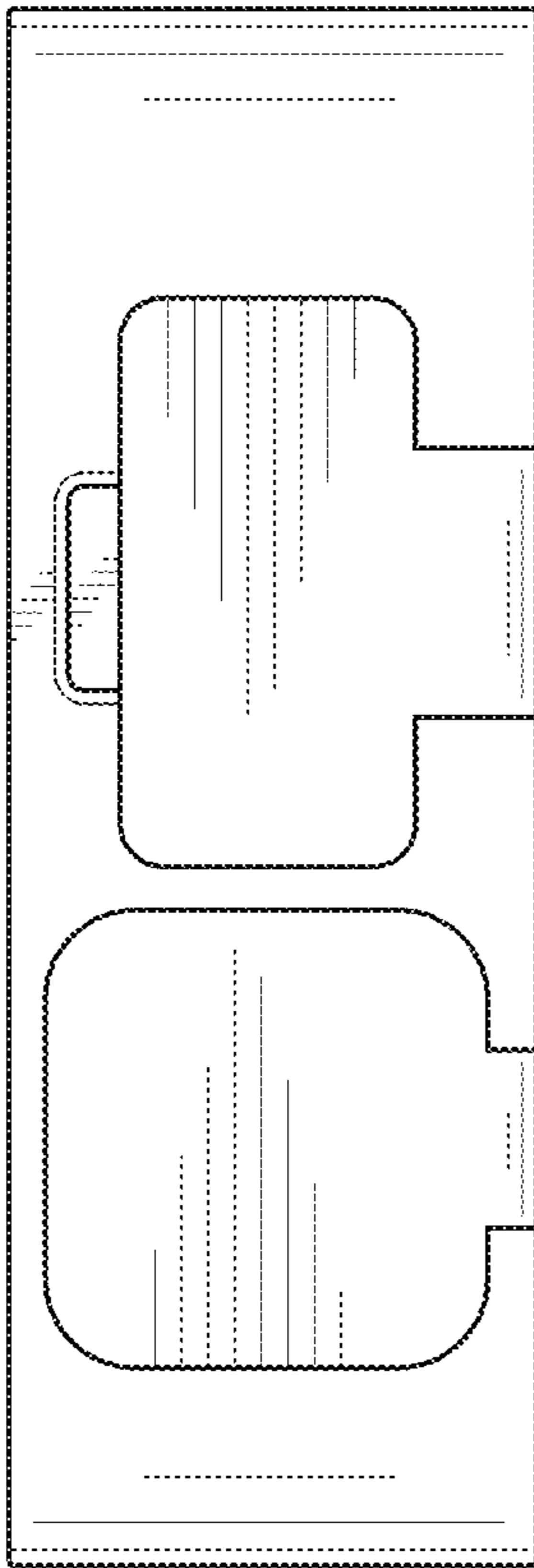


FIG. 4

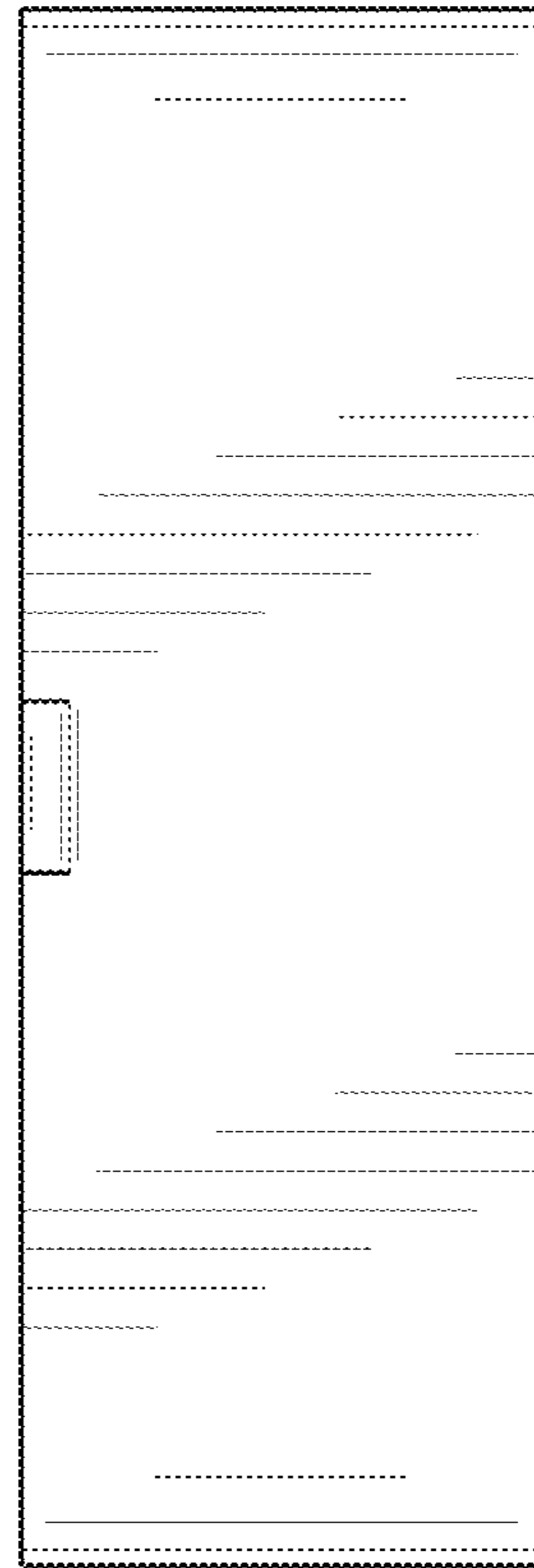


FIG. 5

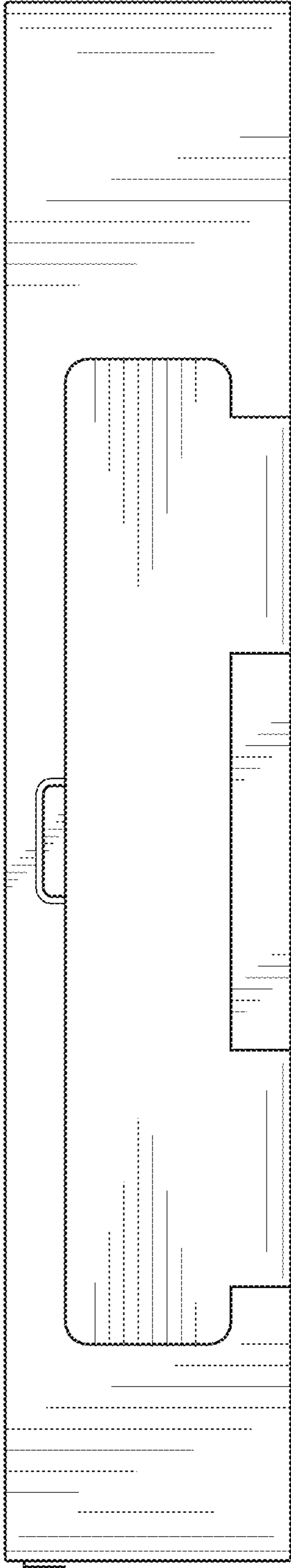


FIG. 6

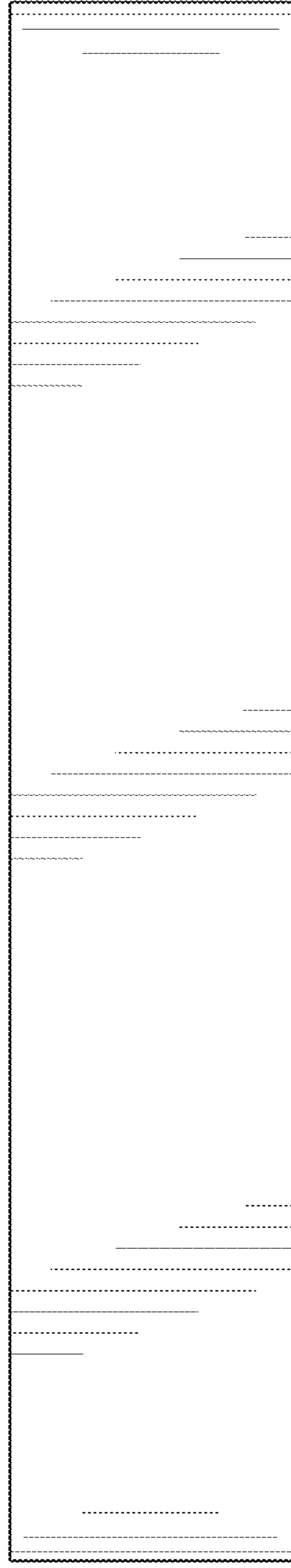


FIG. 7

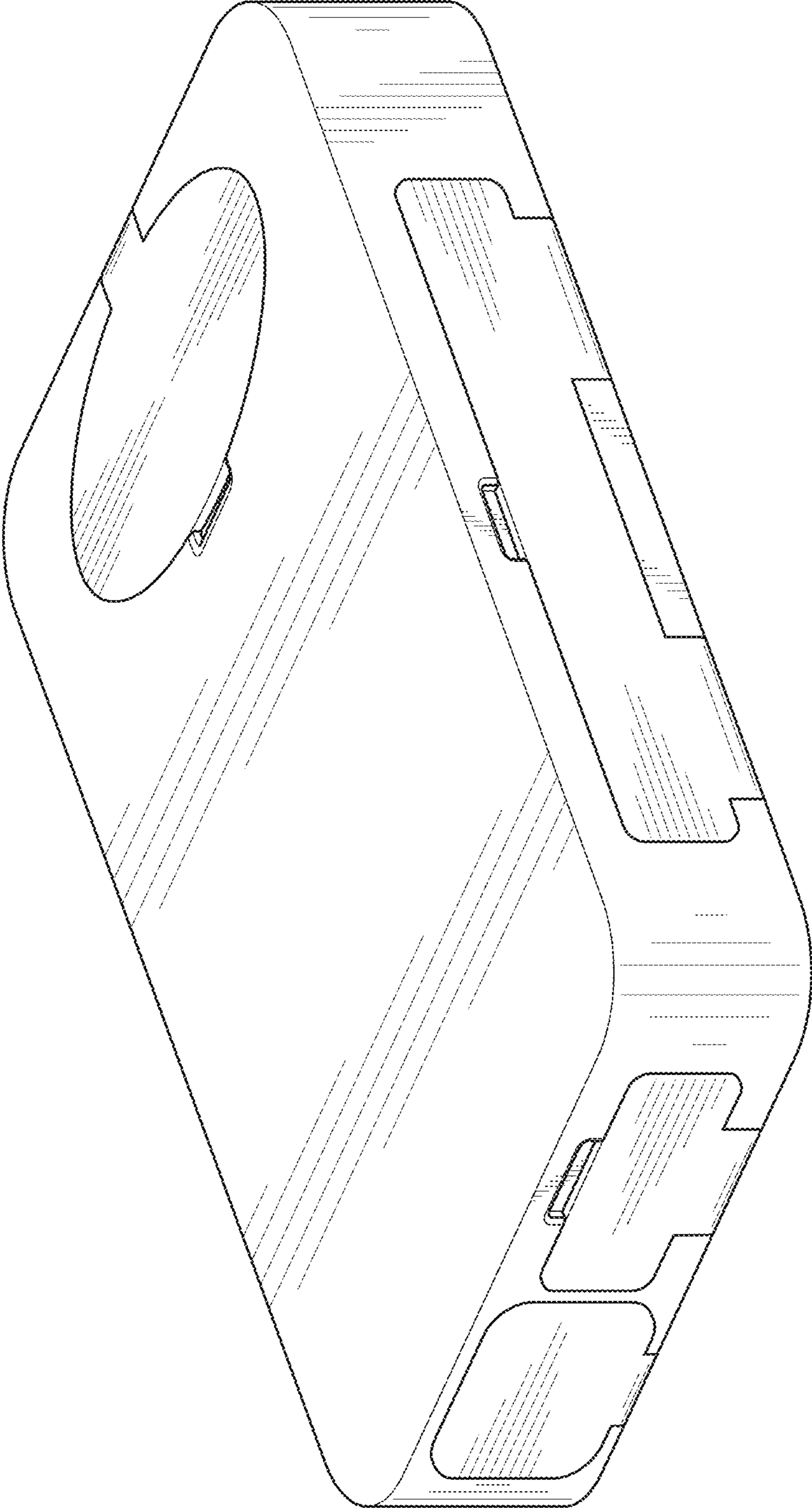


FIG. 8

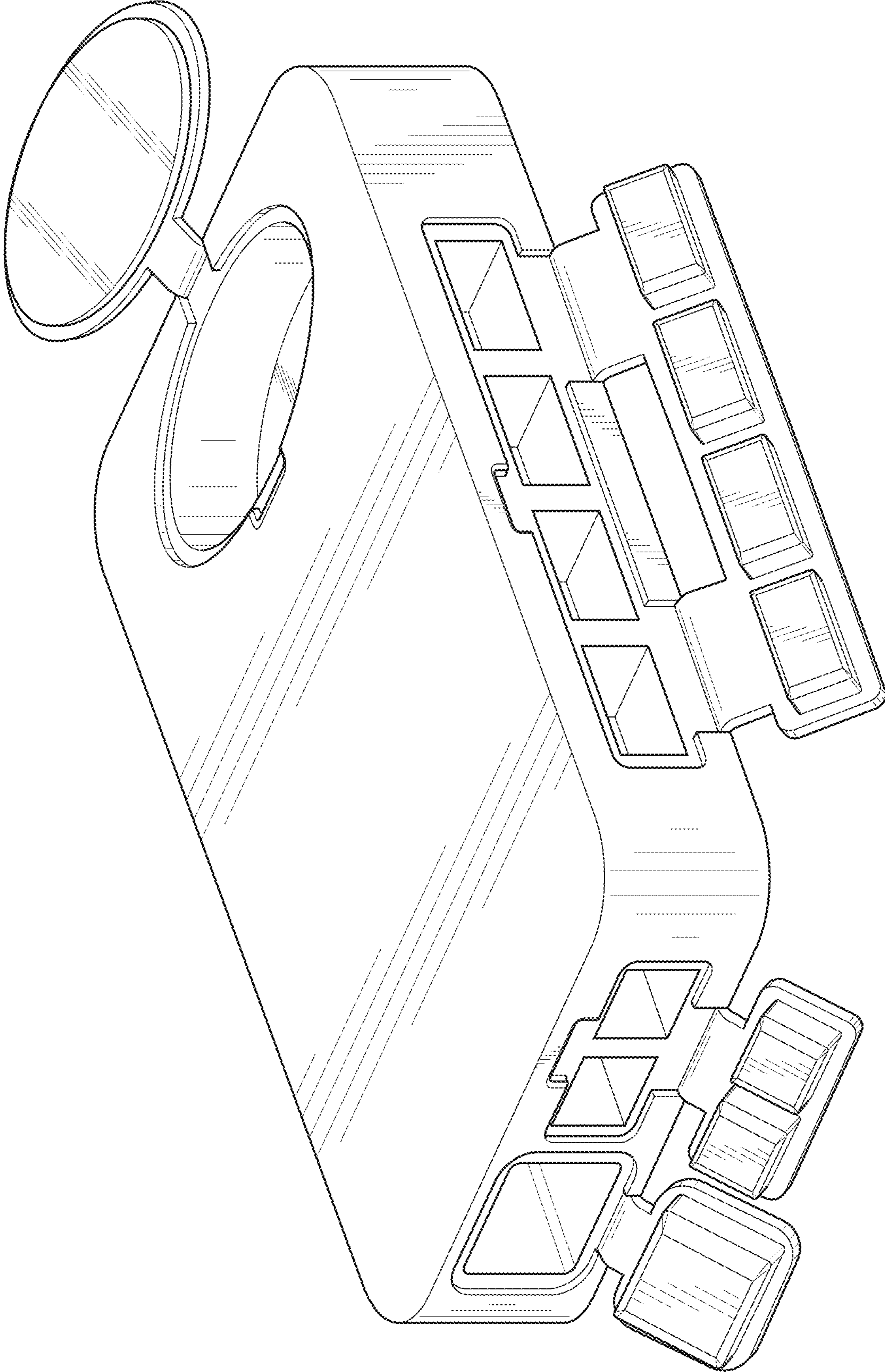


FIG. 9