



US00D950834S

(12) **United States Design Patent** (10) **Patent No.:** **US D950,834 S**
Egbert (45) **Date of Patent:** **** May 3, 2022**

(54) **LAMP BASE**

FOREIGN PATENT DOCUMENTS

(71) Applicant: **Jasco Products Company LLC**,
Oklahoma City, OK (US)

CN 303534774 * 12/2015
CN 303669439 * 5/2016
CN 306335357 * 2/2021

(72) Inventor: **Ryan Egbert**, Oklahoma City, OK (US)

(73) Assignee: **Jasco Products Company LLC**,
Oklahoma City, OK (US)

OTHER PUBLICATIONS

(**) Term: **15 Years**

“Margaux 17.25” Table Lamp” reference by Wayfair.com, oldest customer review date Dec. 27, 2018 [online], site visited Jan. 19, 2022, available from internet URL: <https://www.wayfair.com/lighting/pdp/hashtag-home-margaux-1725-table-lamp-w005434550.html?piid=660090187> (Year: 2018).*

(21) Appl. No.: **29/748,455**

(Continued)

(22) Filed: **Aug. 28, 2020**

(51) **LOC (13) Cl.** **26-05**

Primary Examiner — Marissa J Cash

(52) **U.S. Cl.**

Assistant Examiner — Liv C Anderson

USPC **D26/142**

(74) *Attorney, Agent, or Firm* — Bruce P. LaBrie;

(58) **Field of Classification Search**

Resolution Legal Group

USPC D26/24, 72, 74, 81–84, 88, 93, 113, 138,
D26/142, 3, 26, 61, 75, 76, 85, 140, 141,
D26/152, 155; D11/143, 144, 152;
D7/316, 598, 397; D9/516, 519, 549
CPC F21S 6/00; F21S 6/005; F21S 8/00; F21S
8/02; F21S 8/026; F21S 8/066; F21V
21/02; F21V 21/042; F21V 21/047; F21V
21/06; F21V 21/08; F21V 17/16; F21V
19/0065

See application file for complete search history.

(57) **CLAIM**

The ornamental design for a lamp base, as shown and described.

DESCRIPTION

(56) **References Cited**

U.S. PATENT DOCUMENTS

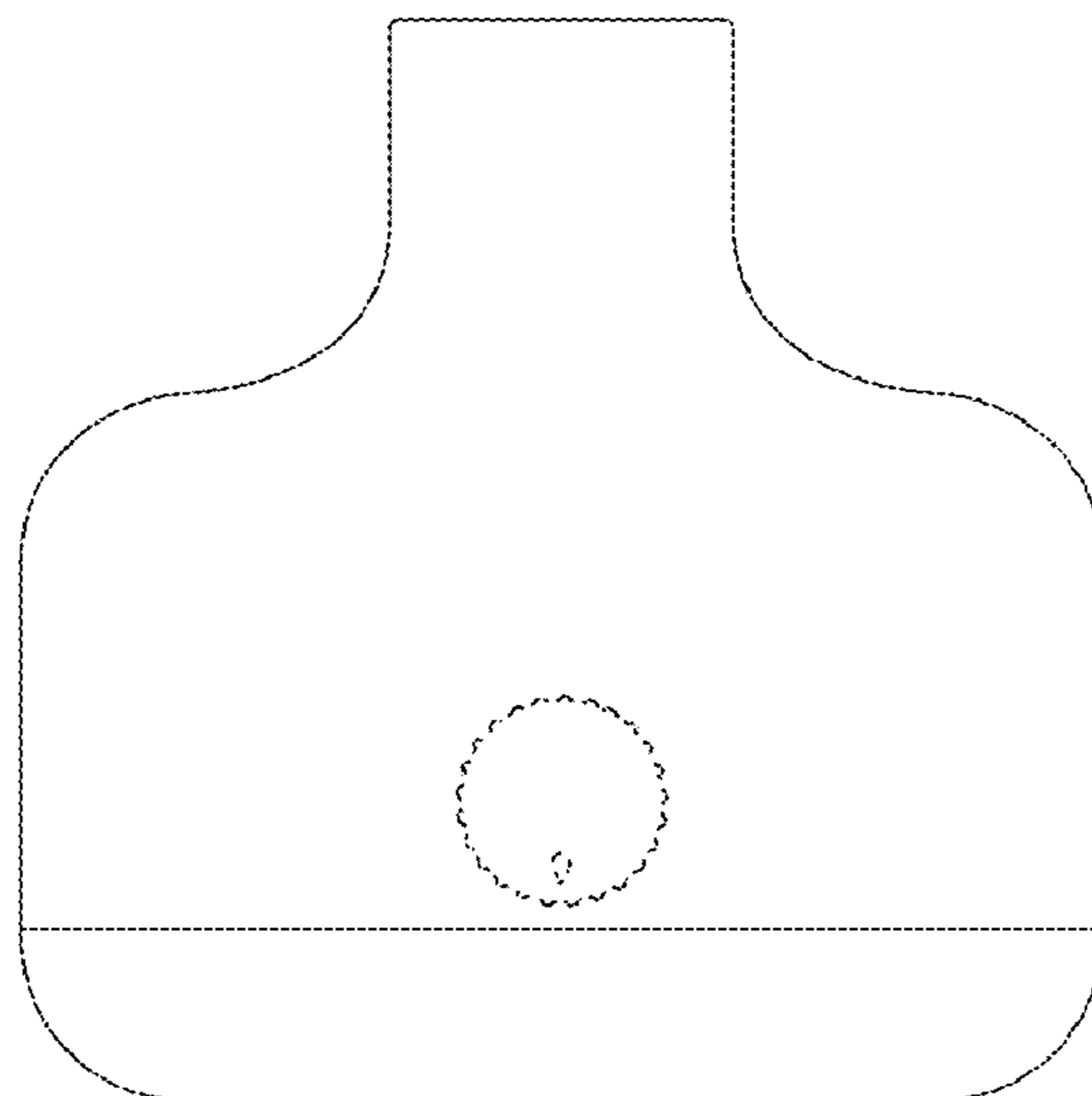
D153,493 S * 4/1949 Blakeslee D7/316
D212,525 S * 10/1968 Kneapler et al. D9/519
D258,390 S 2/1981 Cerbini
D275,896 S * 10/1984 Caldwell D26/110
D280,554 S * 9/1985 Alessandro D26/110
D283,449 S 4/1986 Greenspan
D283,929 S 5/1986 Manton
D321,061 S * 10/1991 Rahn D26/106
5,137,162 A * 8/1992 Fritz B65D 11/04
D9/519
D348,324 S 6/1994 Parks

FIG. 1 is a front elevation view of a lamp base showing my new design;
FIG. 2 is a rear elevation view thereof;
FIG. 3 is a top view thereof;
FIG. 4 is a bottom view thereof;
FIG. 5 is a left elevation view thereof;
FIG. 6 is a right elevation view thereof;
FIG. 7 is a perspective view thereof, shown in an environment of use; and,
FIG. 8 is a perspective view thereof, shown in an environment of use.

The structural features depicted by broken lines have been shown for the purpose of illustrating portions of the lamp base that form no part of the claimed design.

1 Claim, 3 Drawing Sheets

(Continued)



(56)

References Cited

U.S. PATENT DOCUMENTS

D361,292 S * 8/1995 Weder D11/143
 D407,995 S * 4/1999 Gallegos D11/164
 D420,754 S * 2/2000 Huang D26/11
 D441,489 S 5/2001 Hutton
 D550,895 S 9/2007 Huang
 D560,026 S 1/2008 Shulem
 D606,871 S * 12/2009 Rica D9/558
 D621,990 S 8/2010 Espiau et al.
 D622,835 S * 8/2010 Mendheim D23/364
 D673,725 S 1/2013 Cartwright
 D673,726 S 1/2013 Cartwright
 D721,585 S * 1/2015 Gonzalez Rodriguez D9/519
 D809,391 S * 2/2018 Funk D9/519
 D820,106 S * 6/2018 Jasani D9/600
 D820,511 S 6/2018 Wiedenmann
 D862,790 S 10/2019 Yang
 D885,548 S * 5/2020 Cui D23/366
 D896,430 S * 9/2020 Kim D26/93
 D939,070 S * 12/2021 Yang D23/356

OTHER PUBLICATIONS

“Dolby Standard Table Lamp” reference by birchlane.com, oldest customer review date Sep. 4, 2018 [online], site visited Jan. 19, 2022, available from internet URL: <https://www.birchlane.com/lighting/pdp/dolby-25-table-lamp-b000154142.html?piid=> (Year: 2018).*

“Vitruvi Stone Diffuser” reference by Vitruvi on Amazon.com, oldest customer question answered Jul. 20, 2017 [online], site visited Jan. 19, 2022, available from internet URL: https://www.amazon.com/Vitruvi-Hand-Crafted-Ultrasonic-Essential-Aromatherapy/dp/B01N4BU9G6/ref=cm_cr_arp_d_product_top?ie=UTF8&th=1 (Year: 2017).*

* cited by examiner

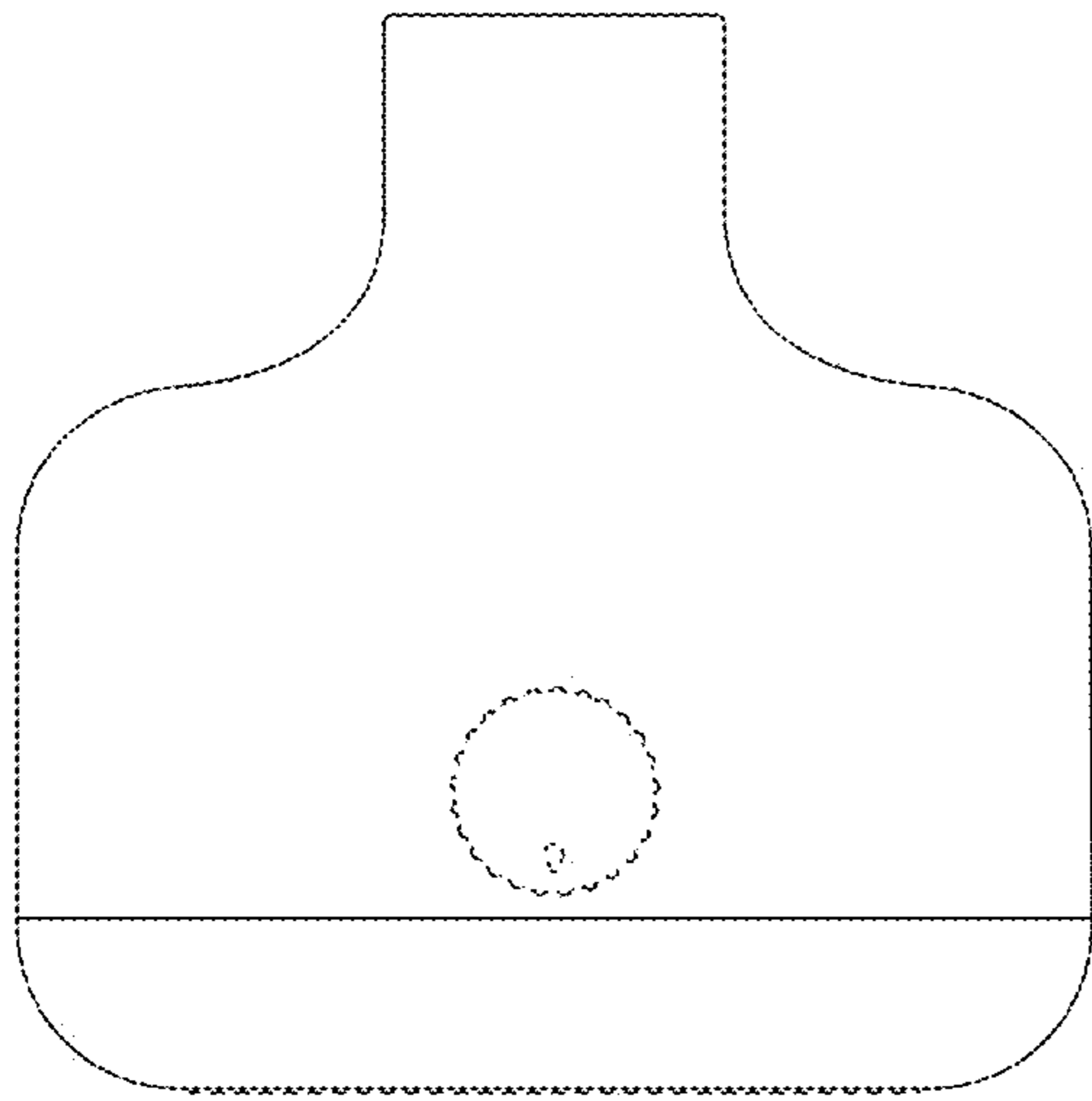


FIG. 1

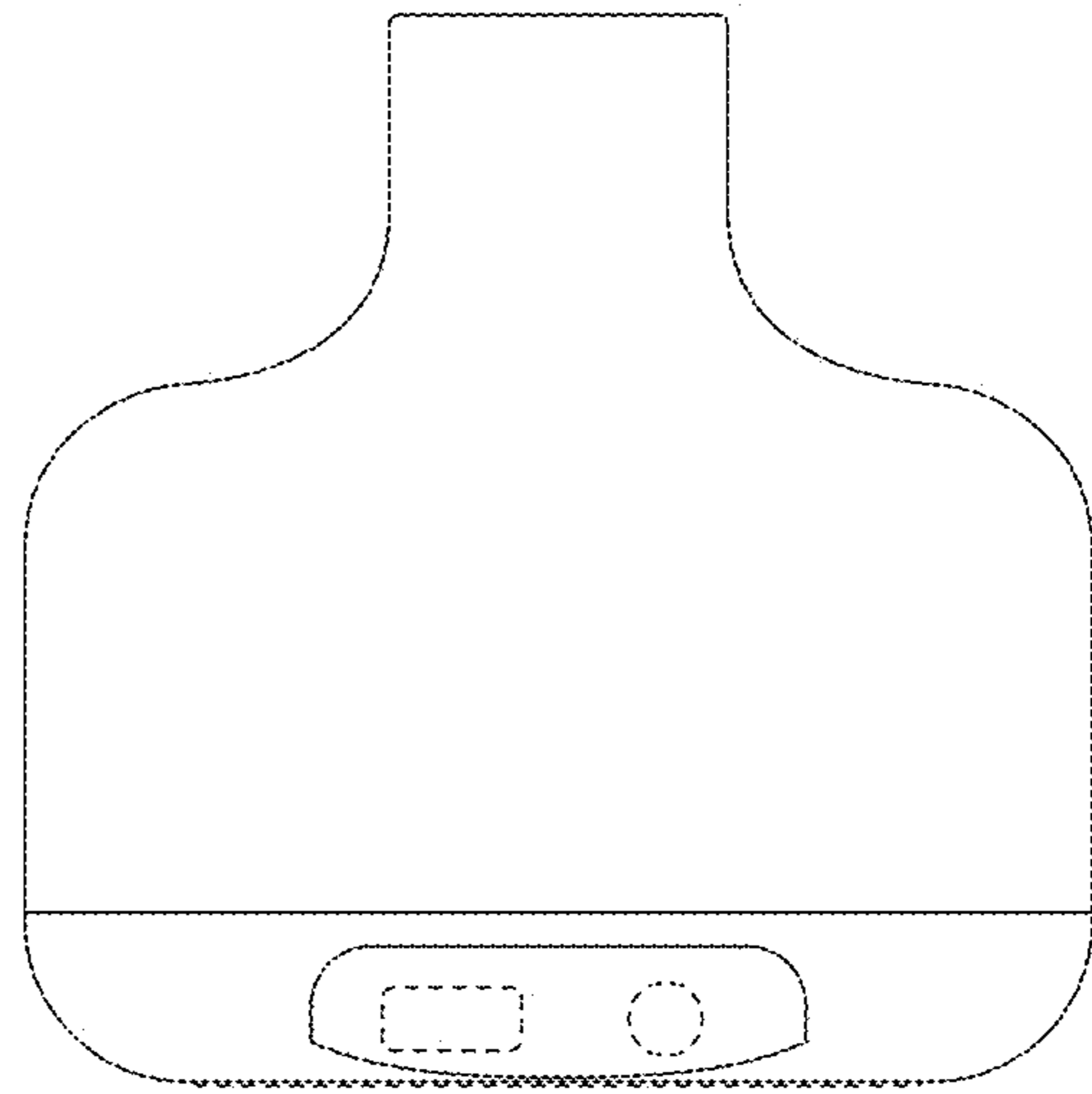


FIG. 2

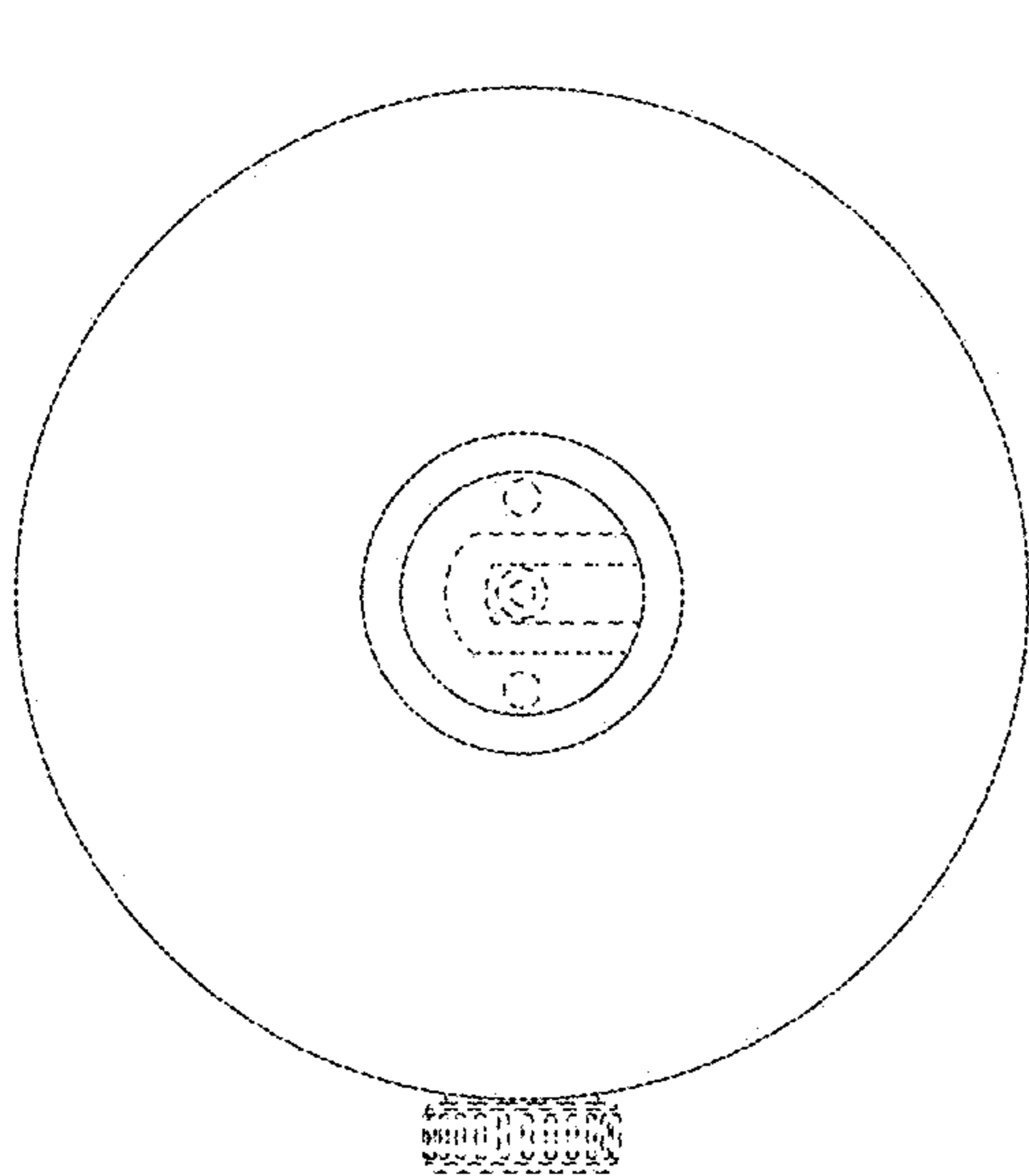


FIG. 3

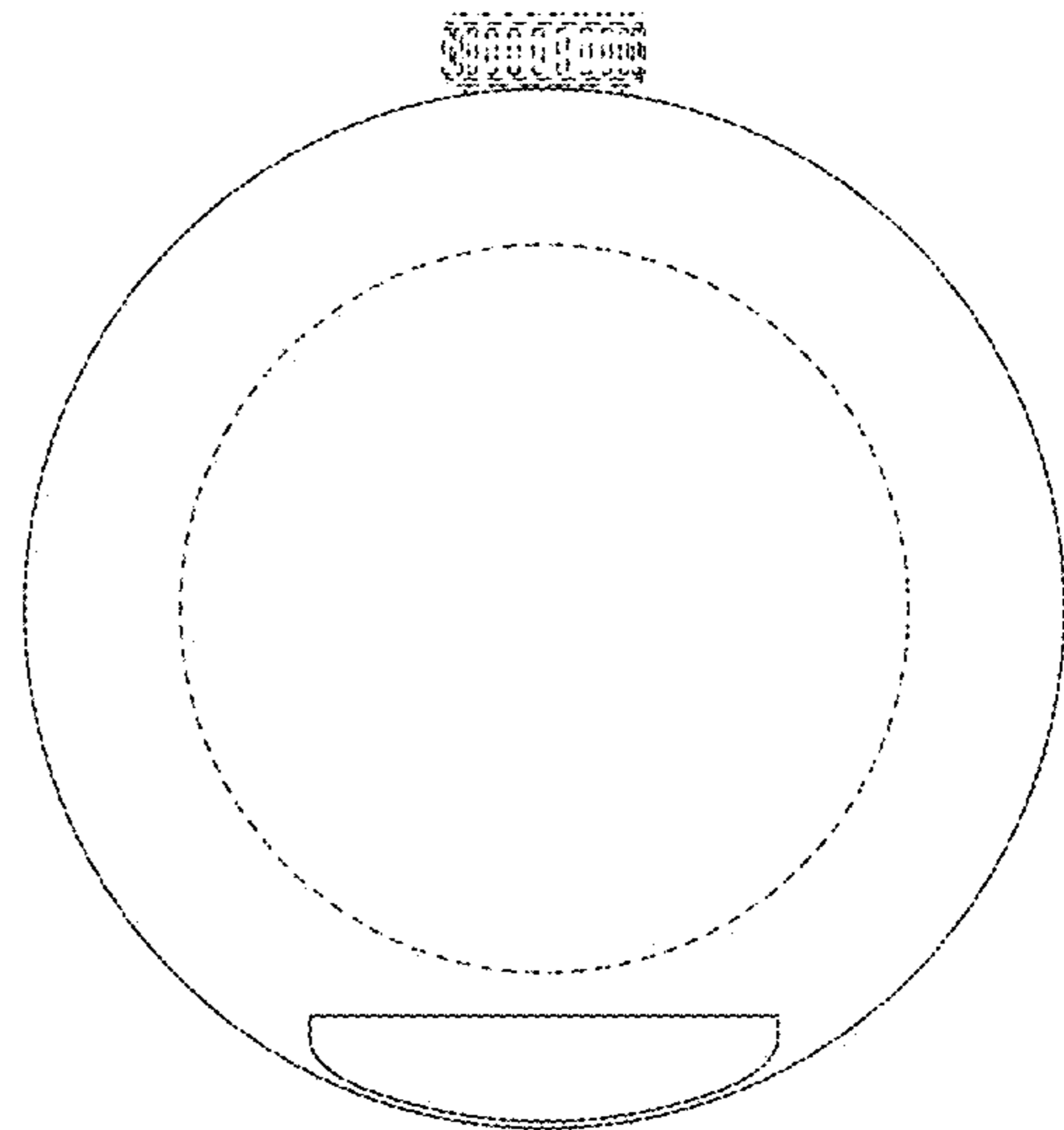


FIG. 4

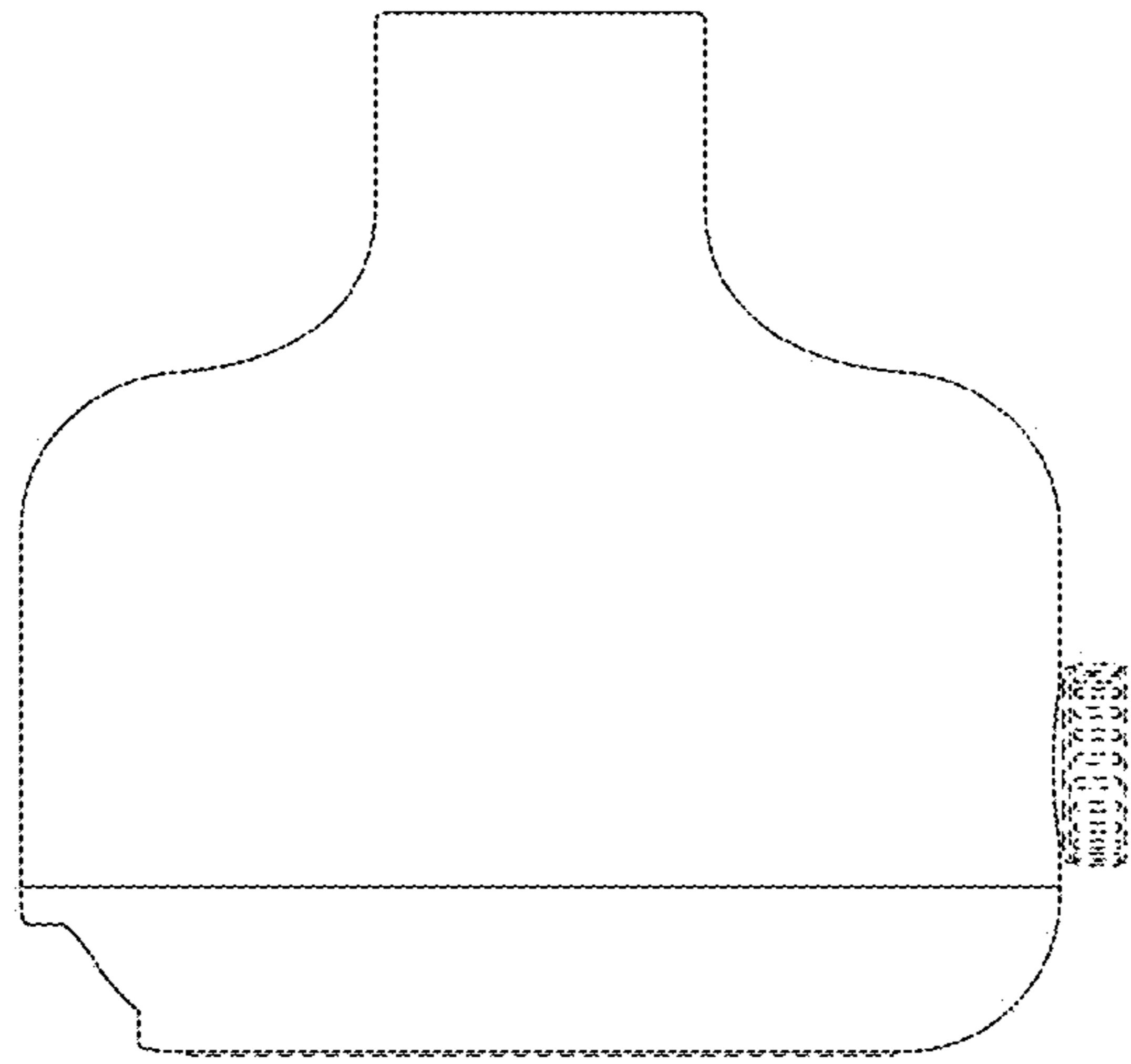


FIG. 5

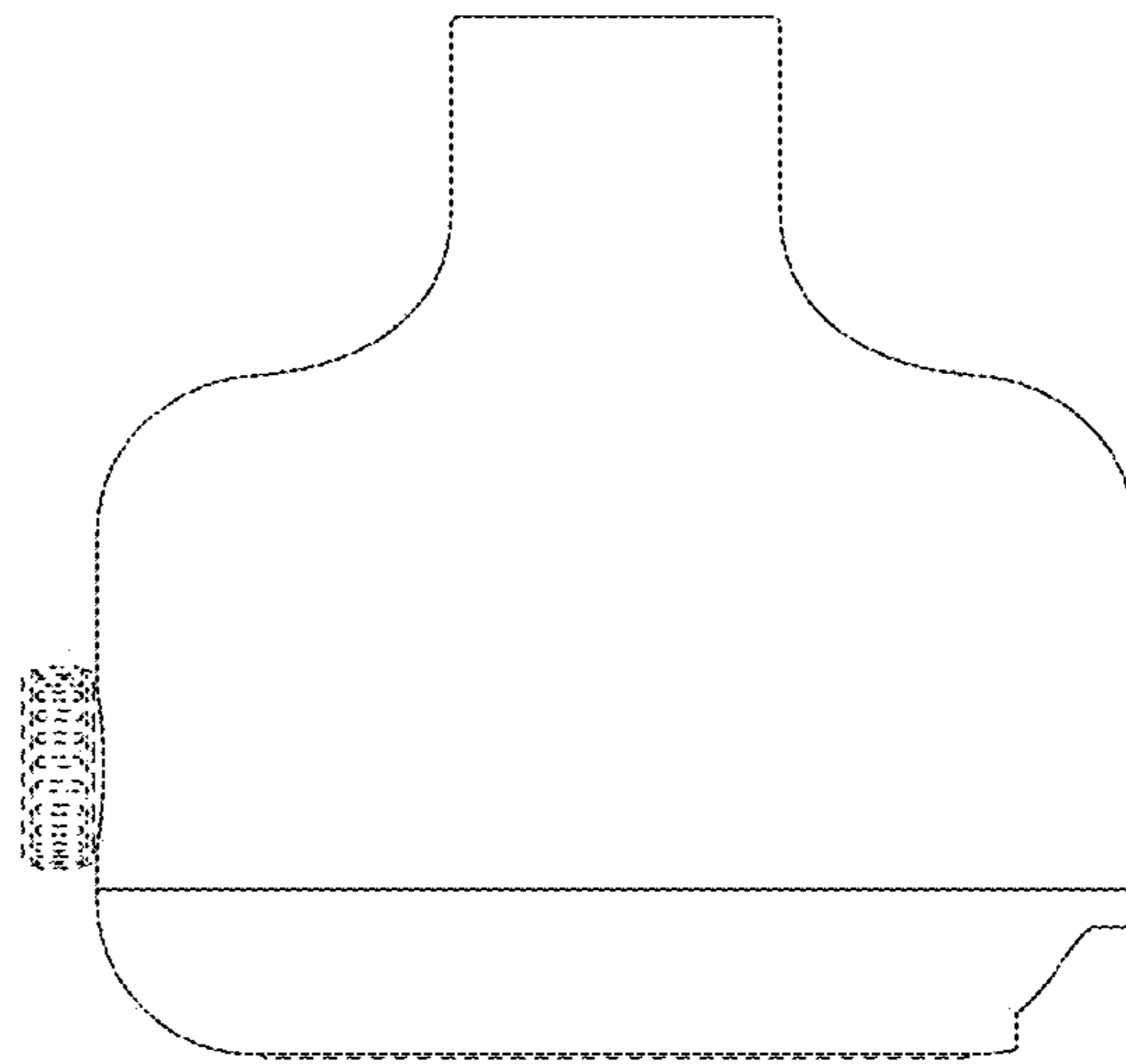


FIG. 6

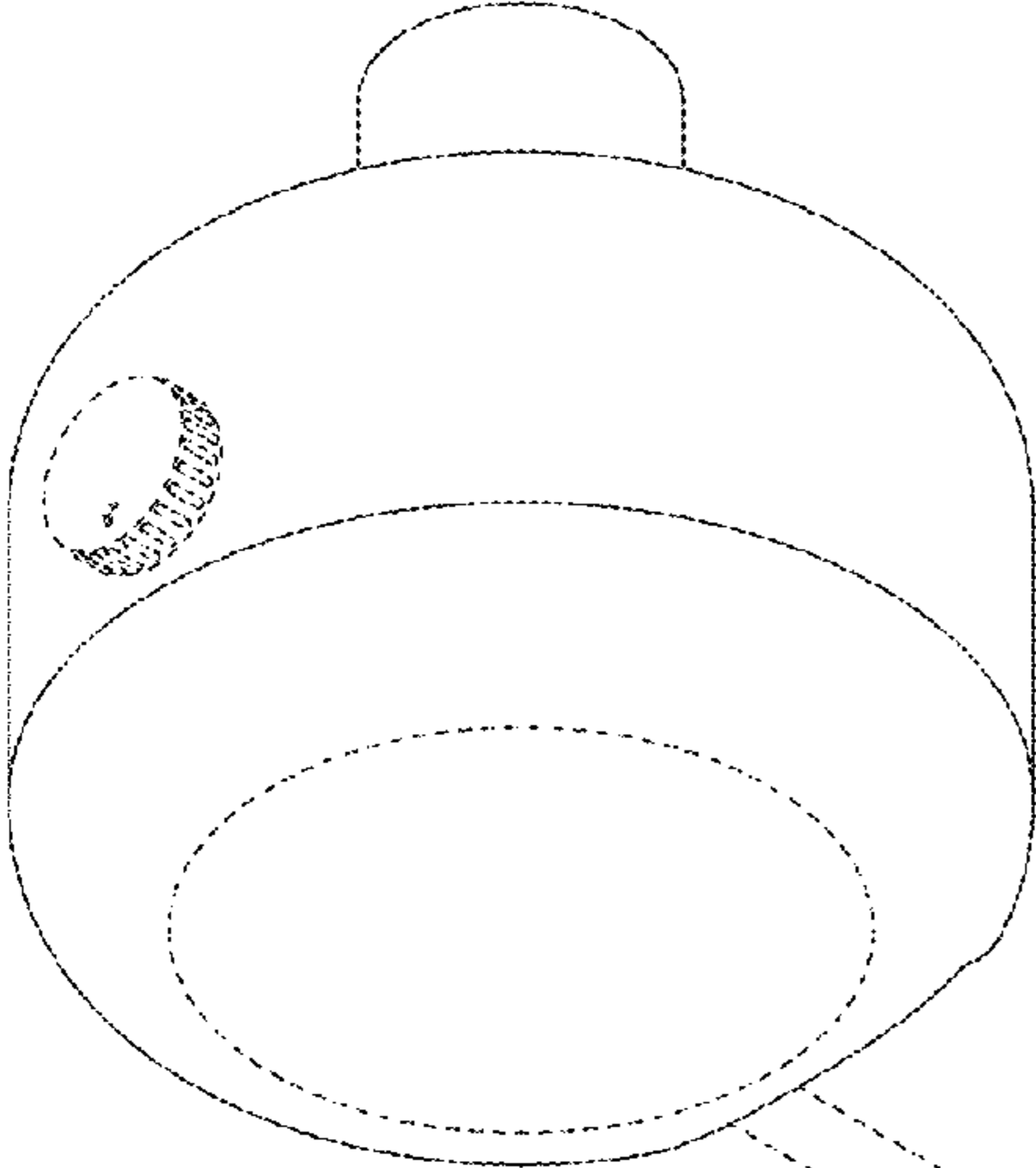


FIG. 7

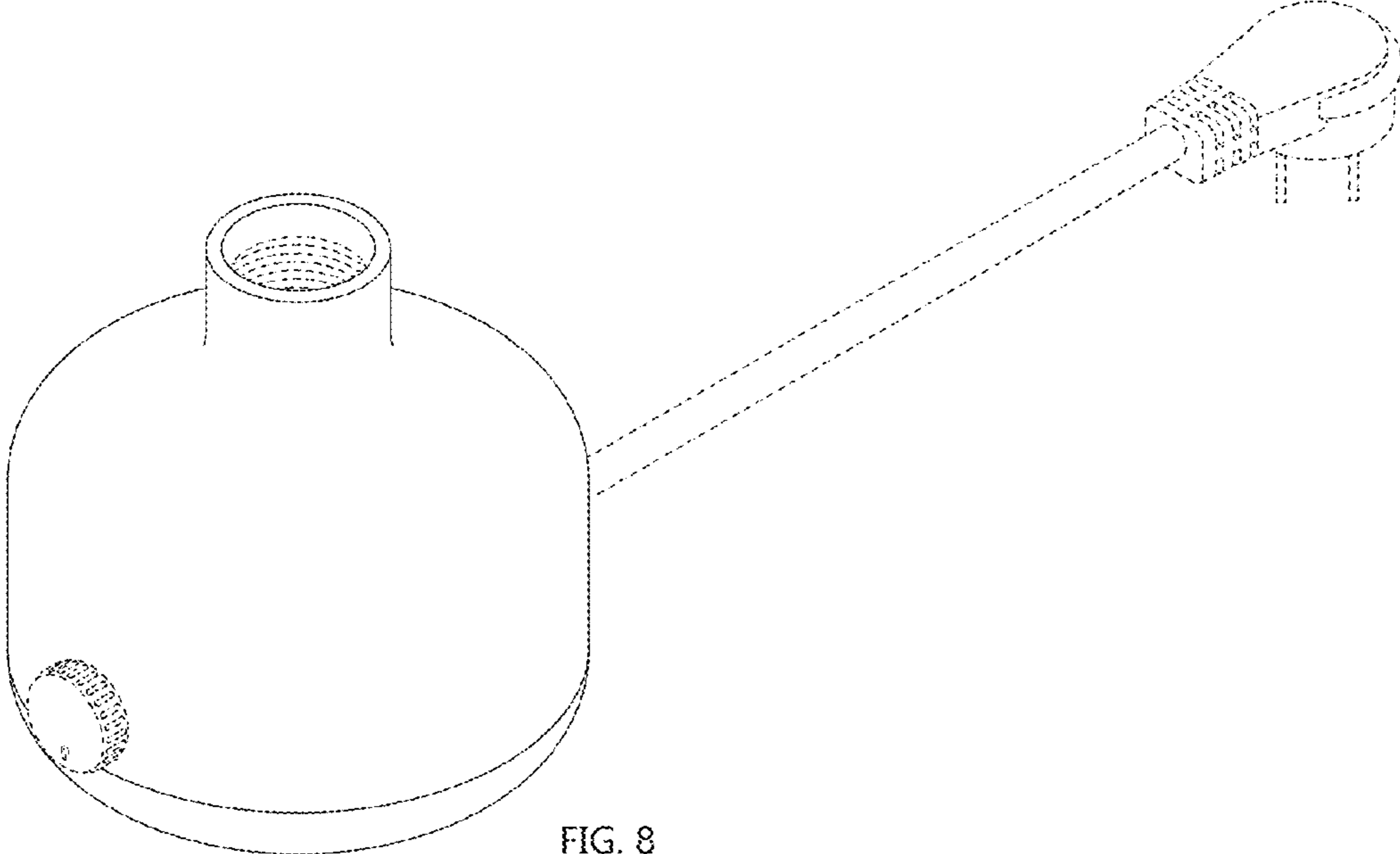
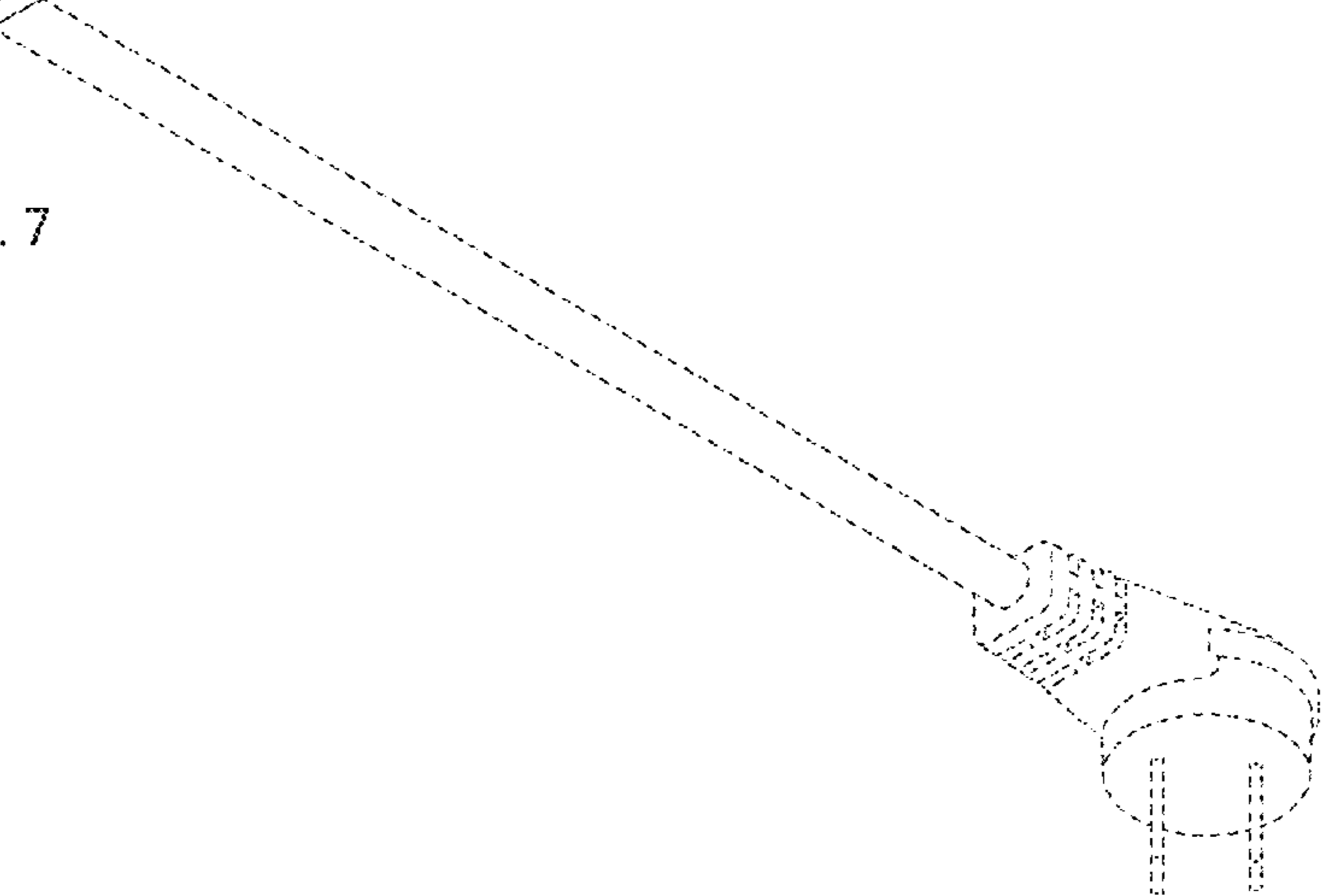


FIG. 8