



US00D950833S

(12) **United States Design Patent**
Stanley

(10) **Patent No.:** **US D950,833 S**

(45) **Date of Patent:** **** May 3, 2022**

(54) **HORTICULTURE GROW LIGHT**

FOREIGN PATENT DOCUMENTS

(71) Applicant: **HGCI, Inc.**, Las Vegas, NV (US)

CA 2034710 A1 8/1991
CA 1314529 C 3/1993

(72) Inventor: **John Stanley**, Vancouver, WA (US)

(Continued)

(73) Assignee: **HGCI, Inc.**, Las Vegas, NV (US)

OTHER PUBLICATIONS

(**) Term: **15 Years**

Amazon, "MIXJOY 315W Ceramic Metal Halide", first available Sep. 4, 2019. (<https://www.amazon.com/dp/B07XC1Z25K/>) (Year: 2019).*

(21) Appl. No.: **29/728,883**

(Continued)

(22) Filed: **Mar. 23, 2020**

Related U.S. Application Data

Primary Examiner — Lauren D McVey

Assistant Examiner — Justin A Johnson

(63) Continuation of application No. 29/682,706, filed on Mar. 7, 2019, now Pat. No. Des. 879,365, which is a continuation of application No. 29/617,484, filed on Sep. 14, 2017, now Pat. No. Des. 843,049.

(74) *Attorney, Agent, or Firm* — Ulmer & Berne LLP

(51) **LOC (13) Cl.** **26-05**

(57) **CLAIM**

(52) **U.S. Cl.**

The ornamental design for a horticulture grow light, as shown and described.

USPC **D26/118**

(58) **Field of Classification Search**

DESCRIPTION

USPC D26/1, 2, 3, 24, 72, 113, 118, 119
CPC F21L 2/00; F21S 2/00; F21S 8/00; F21S 8/006; F21S 8/026; H01K 7/00; H01K 7/02; A01G 7/045

See application file for complete search history.

FIG. 1 is a perspective view of a horticulture grow light, as viewed from below, showing my new design;
FIG. 2 is a perspective view of the light shown in FIG. 1, as viewed from above;
FIG. 3 is a left side view of the light shown in FIG. 1;
FIG. 4 is a right side view of the light shown in FIG. 1;
FIG. 5 is a front elevation view of the light shown in FIG. 1;
FIG. 6 is a rear elevation view of the light shown in FIG. 1;
FIG. 7 is a top plan view of the light shown in FIG. 1; and, FIG. 8 is a bottom plan view of the light shown in FIG. 1. The broken lines immediately adjacent to the shaded areas depict the bounds of the claimed design, while all other broken lines are directed to environment. The broken lines form no part of the claimed design.

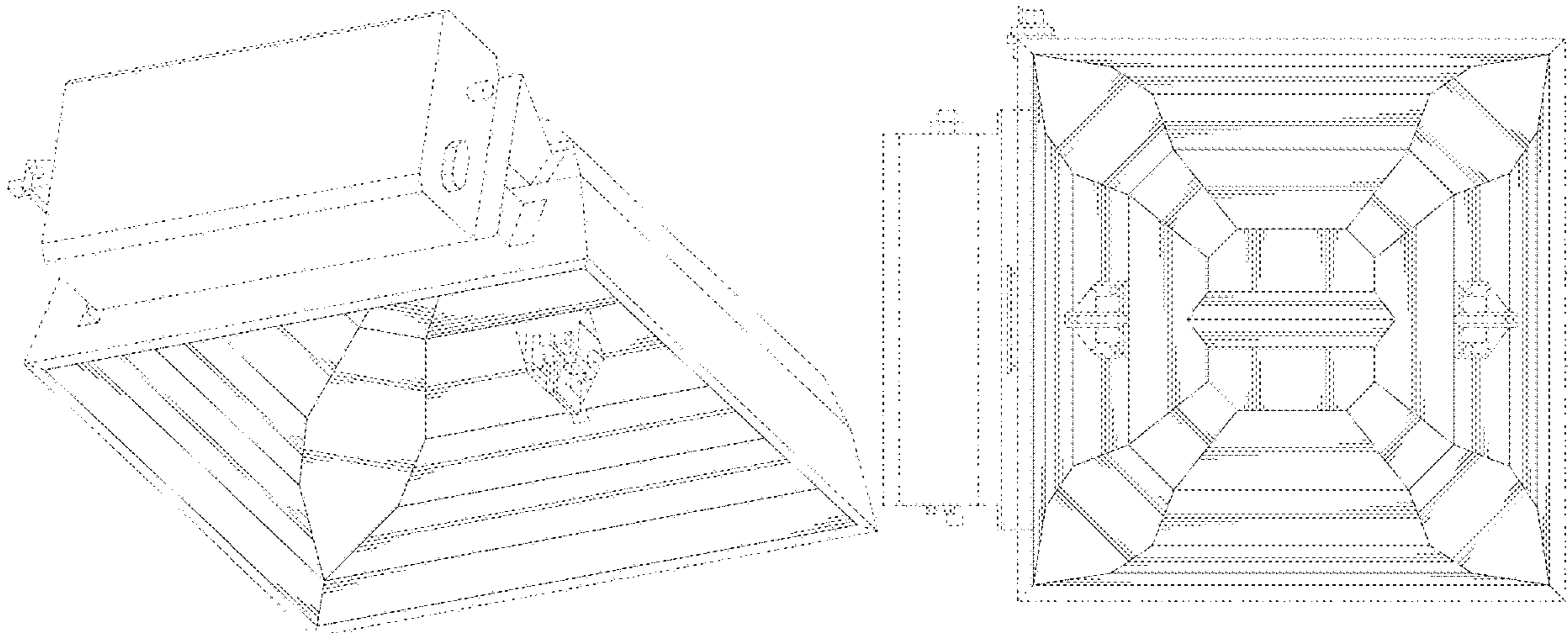
(56) **References Cited**

U.S. PATENT DOCUMENTS

32,722 A	7/1861	Schmidlin et al.
D46,253 S	8/1914	Kopp et al.
1,410,945 A	3/1922	Mayfield
1,547,026 A	7/1925	Canney
1,798,567 A	3/1931	Wagenhorst
D85,049 S	9/1931	Kopp
D85,382 S	10/1931	Guth
1,848,734 A	3/1932	Luce
1,873,310 A	8/1932	Doane

(Continued)

1 Claim, 8 Drawing Sheets



(56)

References Cited

U.S. PATENT DOCUMENTS

1,930,070 A	10/1933	Zecher	5,461,554 A	10/1995	Leonetti et al.
1,987,705 A	1/1935	Pedersen	D365,159 S	12/1995	Tinen
D106,614 S	10/1937	Waterbury	5,486,737 A	1/1996	Hrubowchak et al.
2,194,841 A	3/1940	Welch	5,510,676 A	4/1996	Cottaar et al.
D119,800 S	4/1940	Carter, Jr.	D373,000 S	8/1996	Brady
D123,768 S	12/1940	Scribner	5,555,162 A	9/1996	Shemitz
D125,559 S	3/1941	Biller	D374,301 S	10/1996	Kleffiman
2,242,590 A	5/1941	Moreau	5,568,680 A	10/1996	Parker
D128,049 S	7/1941	Kurtz et al.	5,570,947 A	11/1996	Felland
D135,375 S	3/1943	Biller	D376,437 S	12/1996	Karlo et al.
2,339,100 A	1/1944	Netting	D377,993 S	2/1997	Herst et al.
2,348,617 A	5/1944	Furedy	5,621,267 A	4/1997	Shaffner et al.
D156,014 S	11/1949	Lazerson	D383,243 S	9/1997	Fry et al.
2,492,946 A	1/1950	Barber	5,698,947 A	12/1997	Choi
D174,221 S	3/1955	Hatch, Jr. et al.	5,702,179 A	12/1997	Sidwell et al.
2,740,883 A	4/1956	Kruger	D391,632 S	3/1998	Thomas
2,741,694 A	4/1956	Thomstad et al.	D396,319 S	7/1998	Sutton
2,998,511 A	8/1961	Chan	D397,481 S	8/1998	Schafer
3,025,391 A	3/1962	Golko	D399,328 S	10/1998	Compton
D193,802 S	10/1962	Thomsen et al.	D399,329 S	10/1998	Compton et al.
D195,012 S	4/1963	Hoyle	D399,587 S	10/1998	Compton et al.
3,125,301 A	3/1964	Stotter	D400,289 S	10/1998	Wardenburg et al.
3,263,071 A	7/1966	Fabbri	5,816,694 A	10/1998	Ideker et al.
3,272,978 A	9/1966	Jackson	D401,006 S	11/1998	Edwards
3,322,946 A	5/1967	Cooper	D405,976 S	2/1999	Beall
3,420,995 A	1/1969	Dunckel	5,896,004 A	4/1999	Feldman et al.
D213,391 S	2/1969	Bruno	5,924,789 A	7/1999	Thornton
3,433,941 A	3/1969	Hall	5,932,955 A	8/1999	Berger et al.
3,675,008 A	7/1972	Hill	5,938,317 A	8/1999	Thornton
3,684,883 A	8/1972	Entwistle	D415,304 S	10/1999	Brown
3,701,898 A	10/1972	McNamara, Jr.	5,983,564 A	11/1999	Stragnola
3,755,667 A	8/1973	Price	5,987,697 A	11/1999	Song et al.
3,829,677 A	8/1974	DeLlano	5,999,943 A	12/1999	Nori et al.
3,902,059 A	8/1975	McNamara	D418,626 S	1/2000	Herst et al.
3,911,265 A	10/1975	Landrum	D419,248 S	1/2000	Lyons
4,028,542 A	6/1977	McReynolds	6,024,468 A	2/2000	Kassay et al.
D245,016 S	7/1977	Barr	6,042,250 A	3/2000	Stragnola
4,037,096 A	7/1977	Brendgord et al.	6,051,927 A	4/2000	Graser et al.
4,078,169 A	3/1978	Armstrong	6,053,624 A	4/2000	Cronk
4,175,360 A	11/1979	Mulvey	D425,237 S	5/2000	Scott
4,229,782 A	10/1980	Ruud et al.	D425,652 S	5/2000	Brok
D259,738 S	6/1981	Boschetti	D426,010 S	5/2000	Compton
4,308,473 A	12/1981	Carnes	6,061,690 A	5/2000	Nori et al.
D262,659 S	1/1982	Latta et al.	6,065,849 A	5/2000	Chen
D266,578 S	10/1982	Moshier	6,070,173 A	5/2000	Huber et al.
D268,287 S	3/1983	Boschetti	6,076,944 A	6/2000	Maranon
D270,577 S	9/1983	Devos et al.	6,079,851 A	6/2000	Altman et al.
4,446,506 A	5/1984	Larson	D428,516 S	7/2000	Reo et al.
4,531,180 A	7/1985	Hernandez	6,094,919 A	8/2000	Bhatia
4,616,293 A	10/1986	Baliozian	6,111,739 A	8/2000	Wu et al.
4,669,033 A	5/1987	Lee	6,152,579 A	11/2000	Reed et al.
D290,662 S	7/1987	Basil et al.	D439,008 S	3/2001	Kim
D300,877 S	4/1989	Cyr	D440,289 S	4/2001	Olson et al.
4,855,884 A	8/1989	Richardson	6,210,025 B1	4/2001	Schmidt et al.
4,893,221 A	1/1990	Friedman	6,230,497 B1	5/2001	Morris et al.
4,933,821 A	6/1990	Anderson	D443,198 S	6/2001	Snyder
4,939,629 A	7/1990	Glanton et al.	D443,949 S	6/2001	DiMonte
D311,597 S	10/1990	Poot	6,247,830 B1	6/2001	Winnett et al.
4,970,428 A	11/1990	Hayakawa et al.	D445,943 S	7/2001	Littman
4,980,809 A	12/1990	Baldwin et al.	6,257,735 B1	7/2001	Baar
D316,301 S	4/1991	Michael	6,267,483 B1	7/2001	Hembery
5,006,752 A	4/1991	Eggink et al.	D447,272 S	8/2001	Smith
5,065,294 A	11/1991	Poot, Jr.	6,279,012 B1	8/2001	Sexton et al.
5,072,349 A	12/1991	Waniga	6,299,327 B1	10/2001	Camarota
D323,897 S	2/1992	Compton	D452,559 S	12/2001	Schonberger et al.
5,088,015 A	2/1992	Baggio et al.	6,343,984 B1	2/2002	Langdon et al.
D329,104 S	9/1992	Dieperink	6,371,630 B1	4/2002	Unger
D330,438 S	10/1992	Herst et al.	D456,927 S	5/2002	Russello et al.
5,192,129 A	3/1993	Figuroa	D456,928 S	5/2002	Russello et al.
5,199,784 A	4/1993	Hempleman	D456,938 S	5/2002	Wardenburg
5,253,152 A	10/1993	Yang et al.	D457,450 S	5/2002	Lamond et al.
D349,358 S	8/1994	Herst et al.	D459,825 S	7/2002	Field
5,353,746 A	10/1994	Del Rosario	6,488,387 B2	12/2002	Wardenburg
D352,126 S	11/1994	Rudd et al.	D469,564 S	1/2003	Brok
5,440,470 A	8/1995	Ly	6,527,422 B1	3/2003	Hutchison
			6,548,948 B1	4/2003	Muessli
			6,595,662 B2	7/2003	Wardenburg
			6,601,972 B2	8/2003	Sei et al.
			6,658,652 B1	12/2003	Alexander et al.

(56)

References Cited

U.S. PATENT DOCUMENTS

6,679,619 B2	1/2004	Saieva	D634,469 S	3/2011	Hargreaves
D486,593 S	2/2004	Griffin	D637,162 S	5/2011	Bridgman
6,688,759 B1	2/2004	Hadjimichael	D637,341 S	5/2011	Wardenburg
6,709,131 B1	3/2004	Herst et al.	D637,752 S	5/2011	Mekhtarian
6,729,383 B1	5/2004	Cannell et al.	D640,404 S	6/2011	Chipperfield
6,783,263 B1	8/2004	Cronk	7,959,331 B2	6/2011	Ho
D496,121 S	9/2004	Santoro	D641,100 S	7/2011	Li
D499,504 S	12/2004	Meyer	7,972,044 B2	7/2011	Burkhauser
D499,505 S	12/2004	Benensohn	D644,185 S	8/2011	Hargreaves
D504,343 S	4/2005	Ek	7,987,632 B2	8/2011	May et al.
6,885,134 B2	4/2005	Kurashima et al.	8,018,630 B2	9/2011	Herloski
6,908,212 B2	6/2005	Schultz	8,038,318 B2	10/2011	Plunk
7,011,424 B1	3/2006	Poulson	D648,652 S	11/2011	Hawkins
7,083,309 B2	8/2006	Chan et al.	D649,685 S	11/2011	Trzesniowski
7,101,060 B2	9/2006	Oppenheimer et al.	D650,515 S	12/2011	Bradley, Jr. et al.
7,131,753 B1	11/2006	Edwards, Jr.	D650,935 S	12/2011	Beghelli
7,156,539 B2	1/2007	Cronk	D653,376 S	1/2012	Kong et al.
7,175,309 B2	2/2007	Craw et al.	8,113,696 B2	2/2012	Striebel et al.
D542,460 S	5/2007	Hargreaves	D655,403 S	3/2012	Zakula et al.
D543,652 S	5/2007	Hargreaves	D657,748 S	4/2012	Hargreaves et al.
D543,654 S	5/2007	Hargreaves	D660,252 S	5/2012	Hargreaves et al.
D543,655 S	5/2007	Hargreaves	D661,370 S	6/2012	Zock
7,213,948 B2	5/2007	Hein	D661,833 S	6/2012	Imajo et al.
D544,136 S	6/2007	Hargreaves	8,209,912 B2	7/2012	Hargreaves et al.
D544,138 S	6/2007	Hargreaves	8,215,799 B2	7/2012	Vanden Eynden et al.
D544,139 S	6/2007	Hargreaves	D667,584 S	9/2012	Beghelli
D544,626 S	6/2007	Hargreaves	D668,370 S	10/2012	Guercio et al.
D544,980 S	6/2007	Hargreaves	D671,259 S	11/2012	Chen
D544,981 S	6/2007	Hargreaves	D672,908 S	12/2012	Wilcox et al.
D544,982 S	6/2007	Hargreaves	D672,911 S	12/2012	Mayfield, III et al.
D544,983 S	6/2007	Hargreaves	D673,324 S	12/2012	Mayfield, III et al.
D544,984 S	6/2007	Hargreaves	8,334,640 B2	12/2012	Reed et al.
D544,985 S	6/2007	Hargreaves	D675,369 S	1/2013	Michaud
D544,987 S	6/2007	Hargreaves	8,348,481 B2	1/2013	Chang
D544,994 S	6/2007	Hargreaves	D675,772 S	2/2013	Tran et al.
D544,995 S	6/2007	Hargreaves	8,371,726 B2	2/2013	Collins et al.
D545,460 S	6/2007	Mason, II	D678,597 S	3/2013	Lehman et al.
D545,484 S	6/2007	Hargreaves	D678,599 S	3/2013	Boyer et al.
D545,485 S	6/2007	Hargreaves	D679,848 S	4/2013	Pickard et al.
D545,990 S	7/2007	Hargreaves	D683,064 S	5/2013	Tuck
D545,994 S	7/2007	Hargreaves	8,505,224 B2	8/2013	Huang
D545,996 S	7/2007	Hargreaves	D689,238 S	9/2013	Halsey
D549,869 S	8/2007	Ward	D689,986 S	9/2013	Lord
D553,781 S	10/2007	Pickard et al.	D690,875 S	10/2013	McKenzie et al.
7,296,914 B1	11/2007	Russello et al.	D693,959 S	11/2013	Boyer et al.
7,360,927 B2	4/2008	Oka et al.	D697,663 S	1/2014	Speier et al.
D569,024 S	5/2008	Redfern	D698,074 S	1/2014	Hargreaves
D572,858 S	7/2008	Santoro	D698,075 S	1/2014	Klus
7,445,363 B2	11/2008	Vanden Eynden	D698,986 S	2/2014	Reynolds
7,524,090 B2	4/2009	Hargreaves	D698,987 S	2/2014	Stanley
7,534,011 B2	5/2009	Townsley	D699,386 S	2/2014	Park et al.
D595,894 S	7/2009	Verfuert et al.	D702,827 S	4/2014	Mase et al.
D602,625 S	10/2009	Santoro	8,702,283 B2	4/2014	Bradley, Jr. et al.
D603,087 S	10/2009	Mo et al.	D705,474 S	5/2014	Philips
7,617,057 B2	11/2009	May et al.	D705,974 S	5/2014	Blessitt et al.
D605,342 S	12/2009	Chung et al.	8,723,086 B2	5/2014	McMahan
D608,490 S	1/2010	Chung et al.	D707,385 S	6/2014	Wardenburg et al.
7,641,367 B2	1/2010	Hargreaves et al.	D708,390 S	7/2014	Roos et al.
7,654,702 B1	2/2010	Ding et al.	D710,528 S	8/2014	Wardenburg et al.
D611,183 S	3/2010	Duarte	8,801,235 B2	8/2014	Yurich
D613,900 S	4/2010	Hargreaves et al.	D713,953 S	9/2014	Jepson
D614,801 S	4/2010	Collins et al.	D714,988 S	10/2014	Park et al.
7,722,228 B2	5/2010	Broer	D715,994 S	10/2014	Klus
D617,028 S	6/2010	Verfuert et al.	D716,995 S	11/2014	Zhu et al.
D620,190 S	7/2010	Chung et al.	D717,487 S	11/2014	Guzzini
D621,993 S	8/2010	Jong	D717,636 S	11/2014	Stanley
7,771,086 B2	8/2010	Goverde	D720,488 S	12/2014	Toyohisa et al.
D628,335 S	11/2010	Hyland	D720,505 S	12/2014	Kersten
7,854,534 B2	12/2010	Liu	8,905,575 B2	12/2014	Durkee et al.
D632,419 S	2/2011	Ng et al.	D720,876 S	1/2015	Haverfield
D633,247 S	2/2011	Kong et al.	D721,844 S	1/2015	Lay et al.
D633,640 S	3/2011	Wauters	D722,654 S	2/2015	Martone
D634,060 S	3/2011	Wardenburg	D725,819 S	3/2015	Reynolds
D634,240 S	3/2011	Junkeer	D725,820 S	3/2015	Hargreaves
D634,468 S	3/2011	Hargreaves	8,967,821 B2	3/2015	Pickard
			D726,359 S	4/2015	Grigore et al.
			8,998,473 B1 *	4/2015	Anderson A01G 9/249 362/563
			9,016,892 B1	4/2015	Scribante et al.

(56)

References Cited

U.S. PATENT DOCUMENTS

9,016,907 B2	4/2015	Stanley	D780,985 S	3/2017	Stanley
D728,848 S	5/2015	Reyes	D780,986 S	3/2017	Reynolds
D729,435 S	5/2015	Arndt et al.	D781,492 S	3/2017	Reynolds
D730,556 S	5/2015	Toyohisa et al.	D783,887 S	4/2017	Stanley
D731,103 S	6/2015	Wilke et al.	D783,888 S	4/2017	Reynolds
D731,109 S	6/2015	Wardenburg et al.	D786,477 S	5/2017	Lauderdale et al.
D731,701 S	6/2015	Hargreaves	D786,488 S	5/2017	Reynolds
D732,233 S	6/2015	Reynolds	D786,489 S	5/2017	Stanley
D732,234 S	6/2015	Rashidi Doust	D786,490 S	5/2017	Stanley
D732,235 S	6/2015	Reynolds	D786,491 S	5/2017	Reynolds
D732,236 S	6/2015	Reynolds	D792,635 S	7/2017	Reynolds
D733,347 S	6/2015	Dungan et al.	D793,616 S	8/2017	Reynolds
9,052,075 B2	6/2015	Demuynck et al.	D796,727 S	9/2017	Reynolds
D733,952 S	7/2015	Lay et al.	D796,728 S	9/2017	Reynolds
D733,960 S	7/2015	Howe	D797,350 S	9/2017	Reynolds
D734,534 S	7/2015	Howe	D797,353 S	9/2017	Stanley
D735,391 S	7/2015	Blessitt et al.	9,750,199 B2	9/2017	Stanley
D735,401 S	7/2015	Clements	9,752,766 B2	9/2017	Stanley
D736,450 S	8/2015	Reynolds	D802,826 S	11/2017	Stanley
D737,498 S	8/2015	Stanley	D802,828 S	11/2017	Stanley
9,110,209 B2	8/2015	Blessitt et al.	D802,829 S	11/2017	Reynolds
D738,031 S	9/2015	Martins et al.	D802,830 S	11/2017	Stanley
D739,595 S	9/2015	Reynolds	D802,831 S *	11/2017	Reynolds D26/118
9,127,826 B2	9/2015	Boyer et al.	D804,709 S	12/2017	Reynolds
D740,486 S	10/2015	Stanley	D811,647 S *	2/2018	Stanley D26/118
D740,996 S	10/2015	Tragatschnig	D825,096 S	8/2018	Reynolds
D745,993 S	12/2015	Reynolds	D826,468 S	8/2018	Stanley
D747,029 S	1/2016	Reynolds	D842,532 S *	3/2019	Reynolds D26/118
D747,538 S	1/2016	Hargreaves	D843,049 S *	3/2019	Stanley D26/118
D747,825 S	1/2016	Reynolds	D843,640 S	3/2019	Stanley
D747,849 S	1/2016	Ingram	D879,364 S *	3/2020	Stanley D26/118
D747,923 S	1/2016	Cornu et al.	D879,365 S *	3/2020	Stanley D26/118
D748,319 S	1/2016	Johnson et al.	D881,445 S *	4/2020	Reynolds A01G 9/249
D748,320 S	1/2016	Johnson et al.			D26/118
D748,847 S	2/2016	Johnson et al.	D904,674 S *	12/2020	Reynolds A01G 9/249
D748,849 S	2/2016	Stanley			D26/118
D748,850 S	2/2016	Johnson et al.	2002/0073285 A1	6/2002	Butterworth
D749,773 S	2/2016	Waible	2002/0141195 A1	10/2002	Peter
D750,312 S	2/2016	Reynolds	2003/0031011 A1	2/2003	Miller et al.
D750,313 S	2/2016	Reynolds	2003/0191783 A1	10/2003	Wolczko et al.
D750,316 S	2/2016	Reynolds	2004/0240214 A1	12/2004	Whitlow et al.
9,255,690 B2	2/2016	Dimitriadis	2005/0117333 A1	6/2005	Yoshida et al.
D750,831 S	3/2016	Clements	2005/0160481 A1	7/2005	Todd et al.
D751,244 S	3/2016	Reynolds	2005/0233691 A1	10/2005	Horton
D751,245 S	3/2016	Stanley	2006/0231081 A1	10/2006	Kirakosyan
D751,247 S	3/2016	Reynolds	2006/0232984 A1	10/2006	Schuknecht et al.
9,279,553 B1	3/2016	Scribante et al.	2006/0282457 A1	12/2006	Williams
D753,654 S	4/2016	Eastwood et al.	2007/0051321 A1	3/2007	Chang
9,310,037 B2	4/2016	Cercone	2007/0070633 A1	3/2007	Eynden
D756,016 S	5/2016	Hargreaves	2007/0228993 A1	10/2007	Stuer et al.
D756,023 S	5/2016	Hoffer	2007/0246631 A1	10/2007	Brown et al.
D756,026 S	5/2016	Reynolds	2007/0282806 A1	12/2007	Hoffman et al.
D757,323 S	5/2016	Reynolds	2008/0059799 A1	3/2008	Scarlata
D757,326 S	5/2016	Reynolds	2008/0117617 A1	5/2008	Hargreaves et al.
D757,346 S	5/2016	Stanley	2008/0130304 A1	6/2008	Rash et al.
9,335,038 B2	5/2016	Stanley	2008/0178957 A1	7/2008	Thomas et al.
9,366,947 B2	6/2016	Miyata	2008/0205030 A1	8/2008	Hargreaves
D762,320 S *	7/2016	Reynolds D26/72	2008/0205071 A1	8/2008	Townsley
D765,306 S	8/2016	Wardenburg et al.	2008/0212326 A1	9/2008	Chon
D766,756 S	9/2016	Franc	2008/0278950 A1	11/2008	Pickard et al.
9,451,743 B2	9/2016	Koerner et al.	2008/0278957 A1	11/2008	Pickard et al.
D769,513 S	10/2016	Reynolds	2009/0116250 A1	5/2009	Hargreaves et al.
D769,514 S *	10/2016	Reynolds D26/118	2009/0166250 A1	7/2009	Subramanian et al.
D770,079 S	10/2016	Stanley	2009/0231840 A1	9/2009	Boehme et al.
D770,082 S	10/2016	Reynolds	2009/0262540 A1	10/2009	Hargreaves et al.
D770,670 S	11/2016	Reynolds	2009/0276478 A1	11/2009	Soman et al.
D770,671 S	11/2016	Reynolds	2009/0310373 A1	12/2009	Burkhauser
D771,301 S *	11/2016	Stanley D26/118	2009/0316404 A1	12/2009	Mo et al.
D771,304 S	11/2016	Goltche	2009/0323335 A1	12/2009	Yang et al.
D773,107 S	11/2016	Stanley	2010/0214789 A1	8/2010	Hawkes et al.
D774,234 S	12/2016	Plourde et al.	2010/0238661 A1	9/2010	Pfund et al.
D775,405 S	12/2016	Stanley	2010/0277908 A1	11/2010	Hu et al.
D775,406 S	12/2016	Hargreaves	2010/0277929 A1	11/2010	Hargreaves et al.
D775,760 S	1/2017	Reynolds	2010/0295468 A1	11/2010	Pedersen et al.
9,551,482 B2	1/2017	Seward et al.	2010/0302768 A1	12/2010	Collins et al.
			2011/0169412 A1	7/2011	Yurich
			2011/0203096 A1	8/2011	Hargreaves
			2011/0259665 A1	10/2011	Morgan, III et al.
			2012/0051041 A1	3/2012	Edmond et al.

(56)

References Cited

U.S. PATENT DOCUMENTS

2012/0092859	A1	4/2012	Gregoris	
2012/0145699	A1	6/2012	McMahan	
2012/0212883	A1	8/2012	Hargreaves et al.	
2012/0230035	A1*	9/2012	Bradley, Jr.	A01G 9/249 362/294
2012/0302768	A1	11/2012	Janka et al.	
2013/0077329	A1	3/2013	Hessling	
2013/0083539	A1	4/2013	Dimitriadis	
2013/0155685	A1	6/2013	Stanley	
2013/0242573	A1	9/2013	Petrski et al.	
2013/0250567	A1	9/2013	Edmond et al.	
2014/0378283	A1	12/2014	Qiu	
2015/0023022	A1	1/2015	Stanley	
2015/0098215	A1	4/2015	Torabifard et al.	
2015/0252992	A1	9/2015	Stanley	
2015/0252993	A1	9/2015	Stanley	
2015/0252994	A1	9/2015	Stanley	
2015/0260381	A1	9/2015	Verfuerrth et al.	
2017/0211801	A1	7/2017	Stanley	

FOREIGN PATENT DOCUMENTS

CA	177773	*	9/2017
EP	0325003	A1	7/1989
EP	0440274	A1	8/1991
WO	02063210	A2	8/2002
WO	03060379	A2	7/2003
WO	2008018000	A1	2/2008
WO	2009096775	A2	8/2009
WO	2011119451	A1	9/2011

OTHER PUBLICATIONS

Amazon, "XAMT Grow Lights for Indoor Plants", first available Jun. 11, 2019. (<https://www.amazon.com/XAMT-Complete-Fixture-Dimmable-120-240V/dp/B07D263N6G>) (Year: 2019).*

Amazon, "Yield Lab Pro Series 600W HPS+MH Air Cool Hood", first available Oct. 13, 2019. (<https://www.amazon.ca/Yield-Lab-Double-Ended-Complete/dp/B00Z7ZXC9Y?th=1>) (Year: 2019).*

Toolots.com, "1000 Watt Double Ended Grow Light Kits", first accessed Aug. 24, 2021. (<https://www.toolots.com/df1000-h.html?cid=10131249572&gclid=>

[EAIaIqobChMlIpXNoeHJ8glVkwelCR06kAB-EAQYC-CABEgKLyPD_BwE](https://www.toolots.com/df1000-h.html?cid=10131249572&gclid=EAIaIqobChMlIpXNoeHJ8glVkwelCR06kAB-EAQYC-CABEgKLyPD_BwE)) (Year: 2021).*

1000 Watt Galaxy Grow Amp Double Ended Grow Light Packages, image post date Jan. 30, 2014, site visited Jul. 8, 2016, <<http://www.ehydroponics.com/100-watt-galaxy-grow-amp-double-ended-grow-light-package.html>>.

2009-10-watt-light-set—TinEye, image post date May 23, 2012, site visited Jul. 8, 2016, <<https://www.tineye.com/search/2de39cf51f7a031139a80ce555e2f30d0abd5216/>>.

2013 Sunlight Supply Catalog, Issuu.com, published Aug. 1, 2013, Online. Site visited Feb. 2, 2015. http://issuu.com/sunlightsupply/docs/2013_sunlightproductcatalog/49.

A3V Reflector, Titaness Light Shop, www.titanesslightshop.com/products-page/reflectors/a3v-reflector, online. Site visited Jan. 14, 2015.

Adjustable Reflector, image post date Apr. 23, 2012, site visited Sep. 23, 2015, http://web.archive.org/web/2012043260757/http://hydroponics-products.en.alibaba.com/product/519225678-213056444/adjustable_reflector_grow_light_hydroponics_greenhouse_horticulture_reflector_hood.html.

Agrotech Magnum Reflector, image postdate Feb. 5, 2012, site visited Oct. 31, 2014, www.hydroponics.net/i/136580.

Air Cooled Grow Lights, greensteamhydroponics.com, published May 24, 2014, online. Site visited Nov. 16, 2016. <http://web.archive.org/web/20140524103407/http://www.greensteamhydroponics.com/aircooled-reflector-range-from-greenstream-hydroponics/prod_699.html>.

Air Resistance: Distinguishing Between Laminar and Turbulent Flow, www.docstoc.com, Dec. 29, 2010, p. 1-6.

AplusChoice-Hydroponics, image post date Dec. 2, 2014, site visited Jul. 13, 2017, (online), <https://www.tineye.com/search/6589596c8738268de70acceca20d64855d0f1d2/?sort=crawal_date&order=asc>.

Apollo Horticulture GLRCTAC 6" Air Cool Tube Grow Light Deluxe Glass Cylinder with Hood Reflector, image post date Oct. 15, 2010, site visited Oct. 3, 2014, (online), <http://www.amazon.com/apollo-horticulture-glrectac-cylinder-reflector/dp/B003qkvv04/ref=pd_sbs_lg_5?ie=utf8&refrid=1y9v9qhh4n5vnctjmftr>.

Apollo Horticulture GLRLS24 6" Air Cooled Hydroponic Grow Light Glass Reflector Hood, image post date Oct. 15, 2010, site visited Oct. 3, 2014, (online), <http://www.amazon.com/apollo-horticulture-GLRLS24-hydroponic-reflector/dp/B00BMVK8HG/ref=cm_cd_ql_qh_dp_i>.

California Lightworks New SolarStorm 440W LED Grow Light with UVB, hydrobuilder.com, online. Site visited May 25, 2014. http://hydrobuilder.com/solarstorm-440w-led-grow-light-with-uvb.html?dzid=strands_CLW-SS-440.

Cree CR22, image post date Apr. 28, 2011, site visited Nov. 15, 2014, <http://ledsmagazine.com/content/dam/leds/migrated/objects/news/8/4/19/cree204272011.jpg>.

Dominator XXXL Non AC Reflector pack of 3 Spec Sheet, GreenTreesHydroponics.com, date available Mar. 12, 2014, online. Site visited Feb. 3, 2015, <https://www.hydroponics.net/i/141477>.

G2V Grow Light Reflector, Titaness Light Shop, www.titanesslightshop.com/products-page/reflectors/g2v-grow-light-reflector, online. Site visited Jan. 14, 2015.

Grow Lights Home Depot: Find many types of grow lights for your plant, published Dec. 22, 2012, online. Site visited May 25, 2014. <http://besthomedecor.com/gardening-decor/grow-lights-home-depot-few-things-to-consider-when-buying-grow-lighting-plants-online.html>.

Growlite HDE 600W-1000W Double Ended Lamp Concealed Vacuum Airflow Technology, Indoor Grow Science, site visited Aug. 3, 2016, <<http://www.indoorgrowscience.net/downloads/specs/hde.pdf>>.

Illuminator Pro-Series Hybrid 350W, wordpress.com, published Dec. 22, 2010, online, site visited Jun. 25, 2014. <http://growsetup.wordpress.com/category/grow-lights/>.

International Preliminary Report on Patentability for International Patent Application No. PCT/US2014/014959; dated Jan. 19, 2016. IPower 600 watt HPS MH Grow Light Digital Dimm System Indoor Garden Set, image post date 2013, site visited Jul. 13, 2017, (online), <https://bidjapon.com/item_View.aspx?itemId=150928769289>.

LEC 315 Watt Grow Light Great Yield Reports!, YouTube.com, published Mar. 31, 2014, online. Visited Nov. 8, 2016. (<https://www.youtube.com/watch?v=QqcoW19KnUk>>).

LED Grow Light Comparison Test Review, YouTube.com, published Jun. 29, 2012, online. Site visited Jun. 25, 2014. www.youtube.com/watch?v=f-8oy0qbg.

Low Rider Air-Cooled Reflector—TinEye, image post date Oct. 11, 2012, site visited Oct. 1, 2015, www.tineye.com/search/1b0e187c5ed9e4e9cfb55d0472271385a2c0e88/?pluginver.

OG Air Cooled Parabolic Reflector Only—Make the Most of Your Grow Light, GroWell Hydroponics, <http://www.growell.co.uk/og-air-cooled-parabolic-reflector-only.html>, pp. 1-2, accessed Aug. 26, 2014.

Sunlight Supply, Inc., Super Sun DE Reflector, 2014-2015 Dealer Catalog, pp. 29 and 54, 2014.

Square 10 Watt LED Grow Light, image post date Aug. 1, 2011, site visited Jul. 8, 2016, <<http://www.dhgate.com/store/product/hydroponic-vegetable-10-watt-led-grow-light/216755031.html>>.

Sun System 630 Ceramic Metal Halide 120v Specifications, GrowersHouse.com, update on Sep. 9, 2014, Online. Site visited Feb. 3, 2015. <http://growershouse.com/aitdownloadablefiles/download/aitfile/aitfile_id/583/>.

Sun System LEC 315 120v Light Emitting Ceramic Metal Halide Fixture w/ Free Ratchet Light Hangers, Amazon.com, earliest review of Jul. 2, 2014, online. Visited Nov. 8, 2016, <<https://www.amazon.com/sun-system-emitting-ceramic-fixture/dp/B00HBCV8TM>>.

(56)

References Cited

OTHER PUBLICATIONS

Sun Systems LEC 315—Reviews?, rollitup.com forum, published Oct. 23, 2013, online. Visited Nov. 8, 2016. <<http://rollitup.org/t/sun-sytems-lec-315-reviews.742794>>.

Sun Systems LEC 630 Light Emitting Ceramic Fixture, Spec Sheet for 906217—Sun System LEC 630 120 Volt w/ 3100K Lamps, www.sunlightsupply.com/shop/bycategory/led-lighting/sun-system-lec-630-light-emitting-ceramic-fixture, online, updated Feb. 9, 2015. Site visited Mar. 30, 2015, p. 1.

ZR series High Efficacy Troffer, image post date Apr. 13, 2012, site visited Oct. 31, 2014, www.cree.com/lighting/products.

* cited by examiner

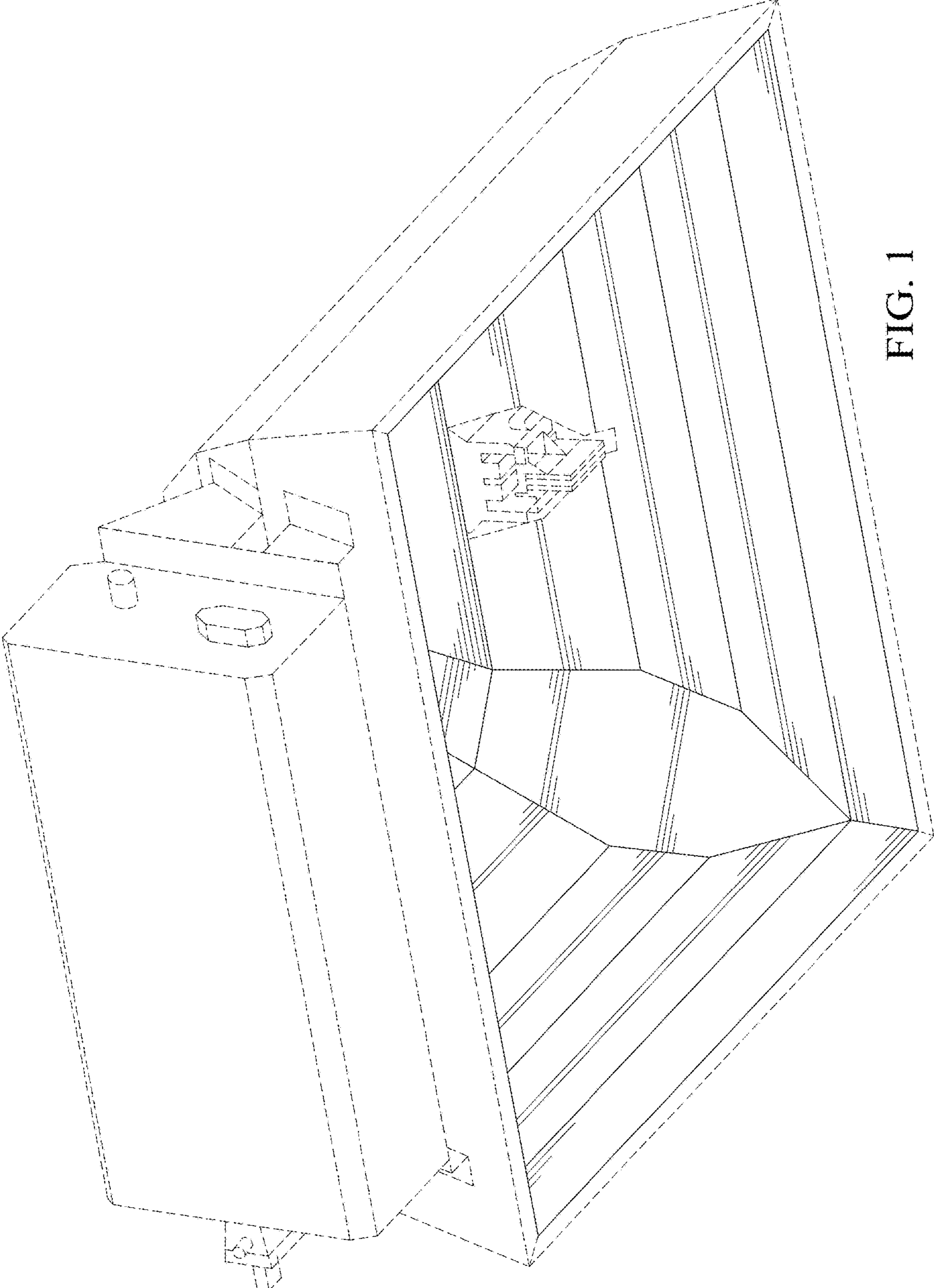


FIG. 1

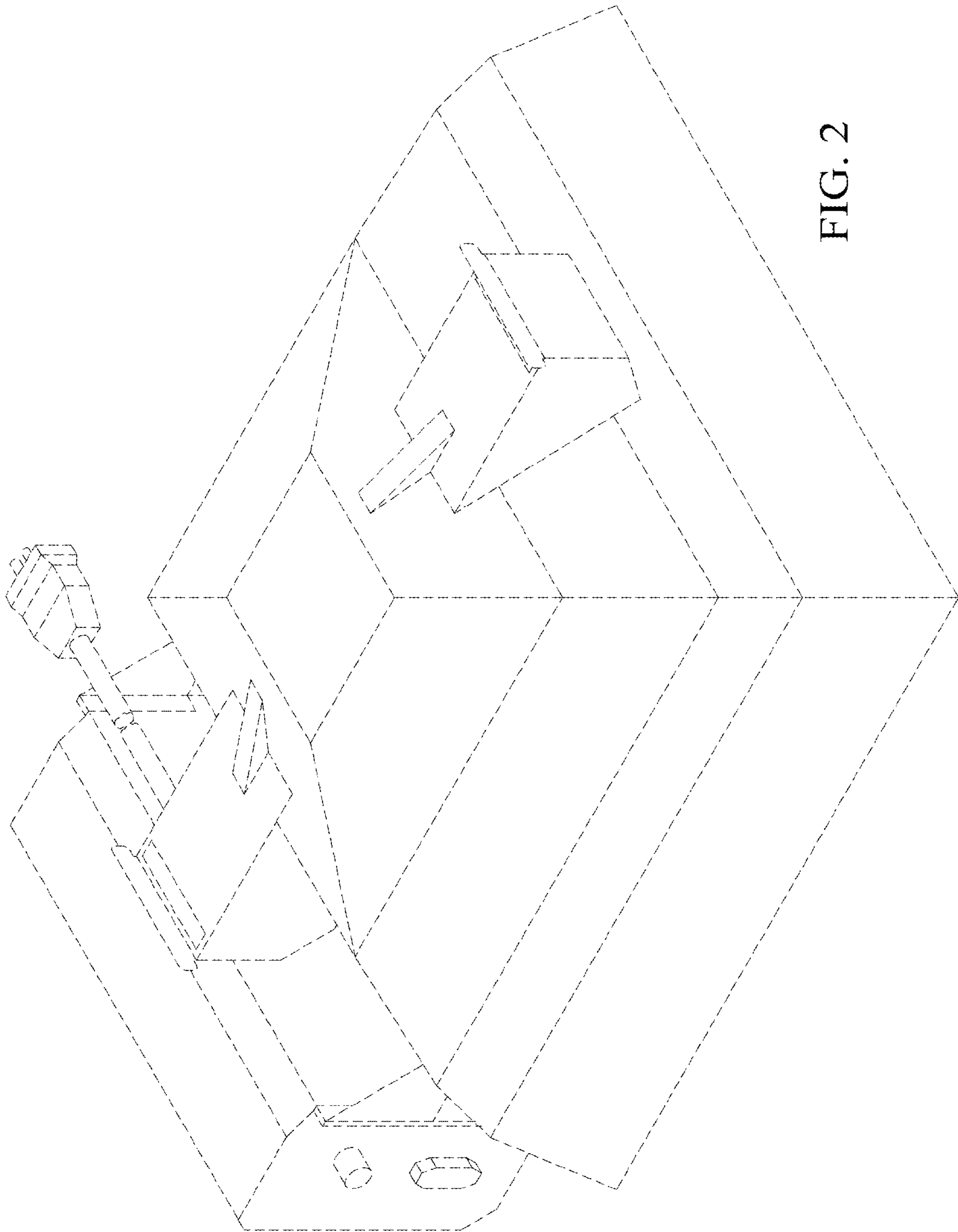


FIG. 2

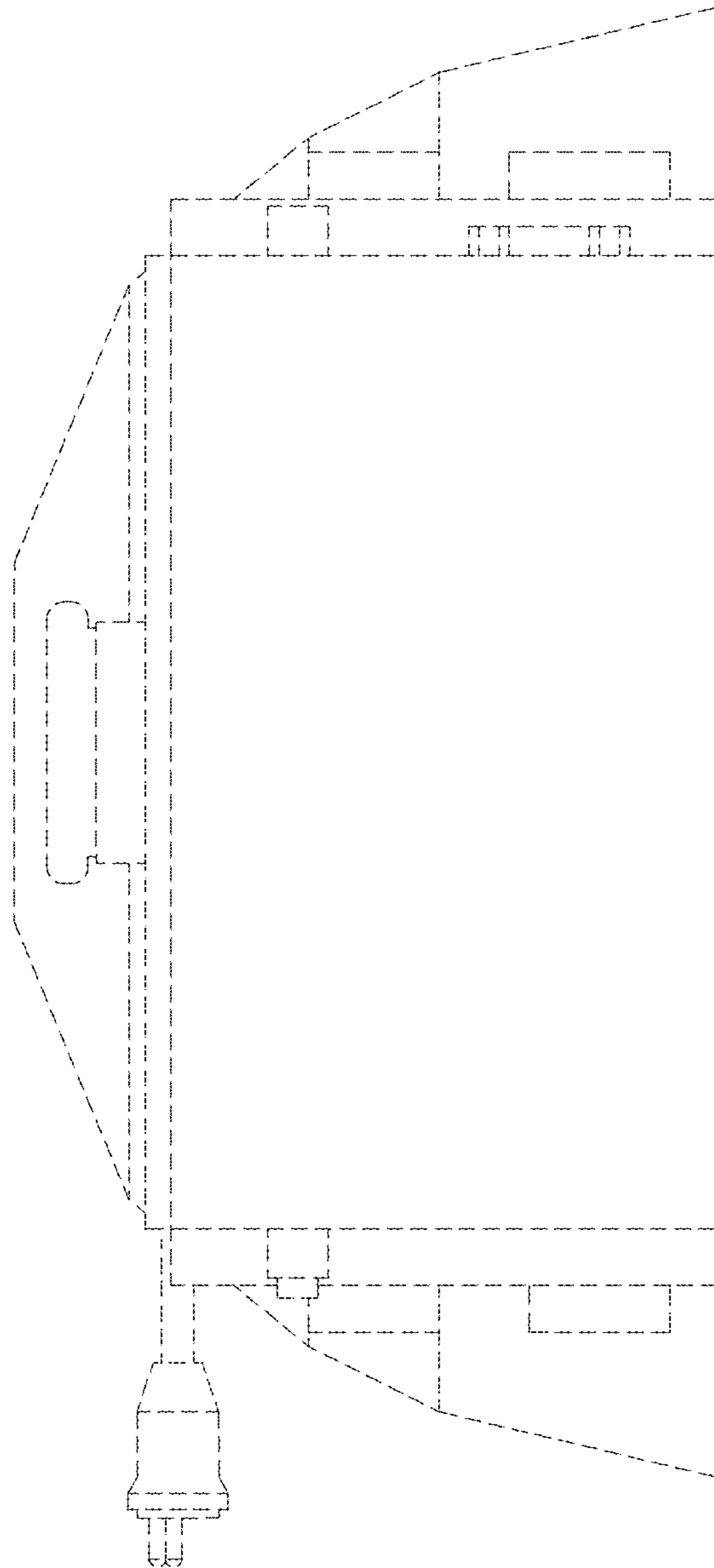


FIG. 3

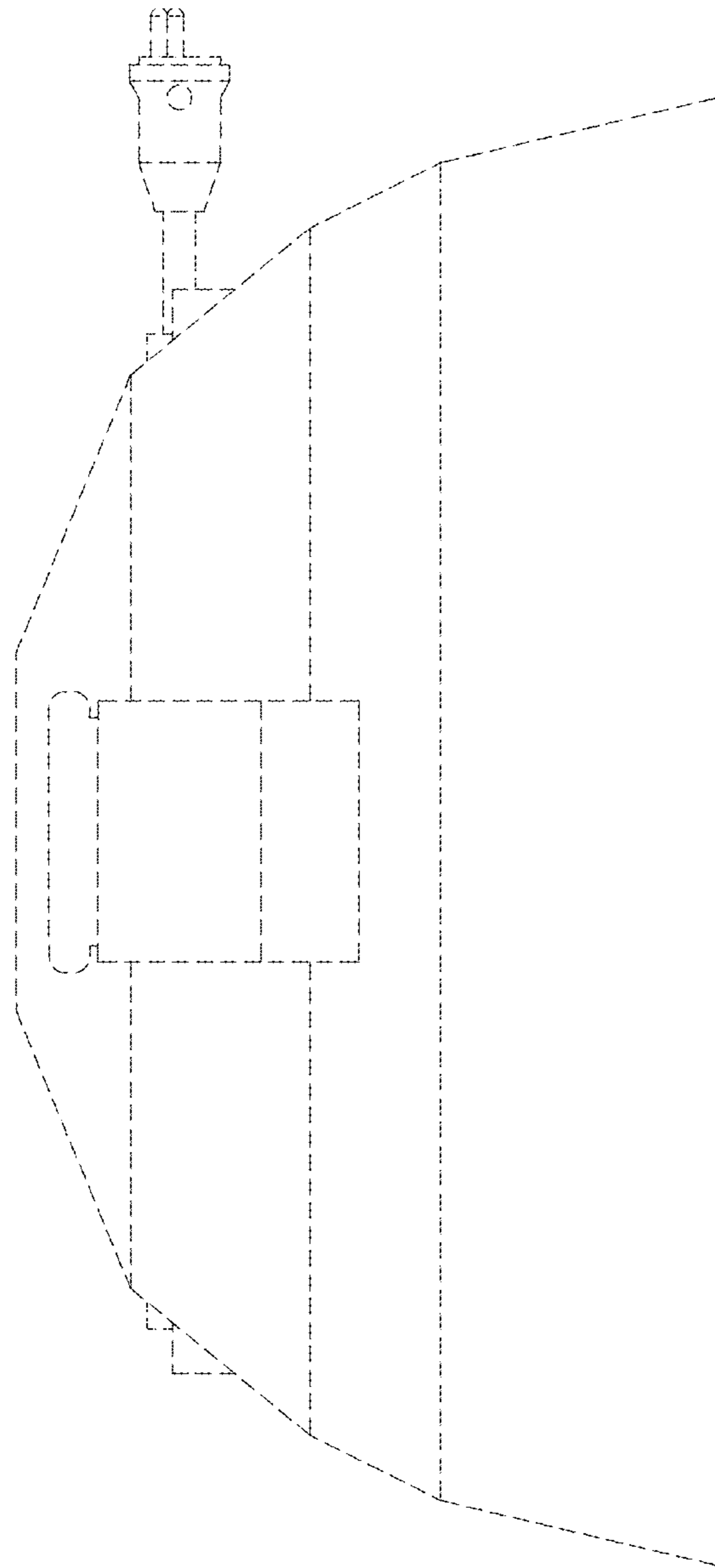


FIG. 4

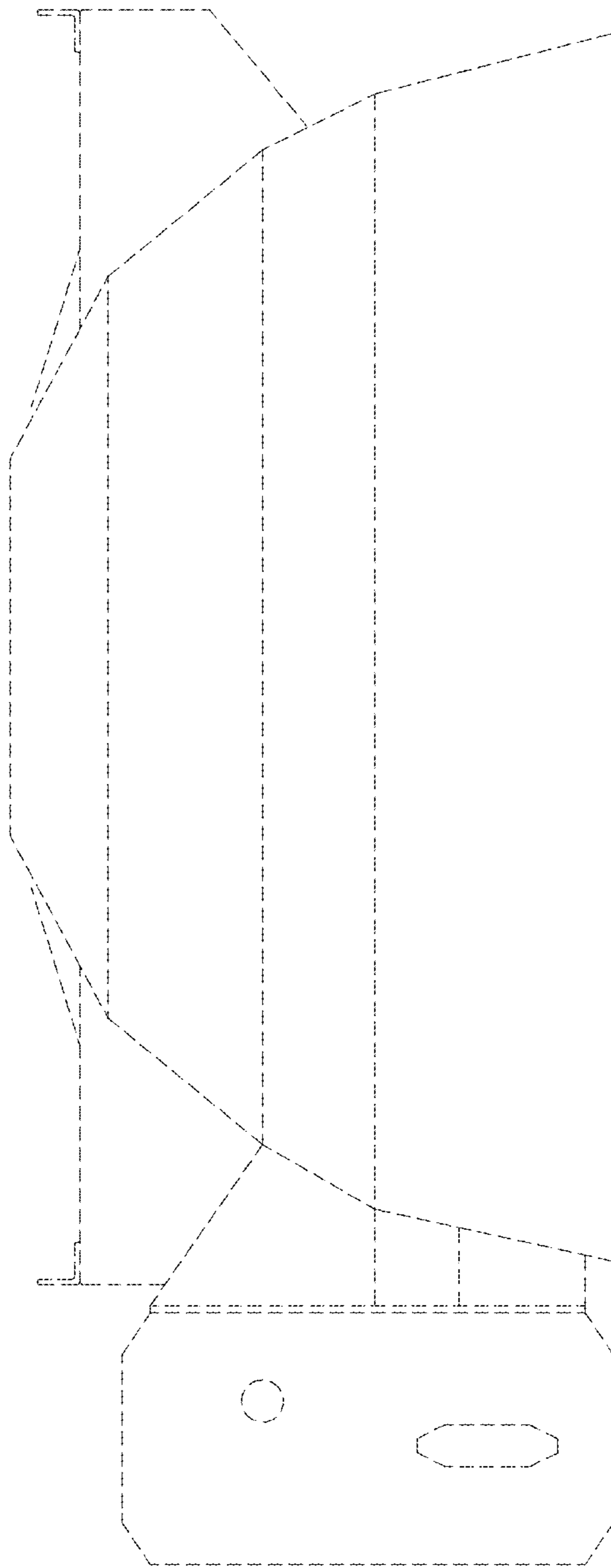


FIG. 5

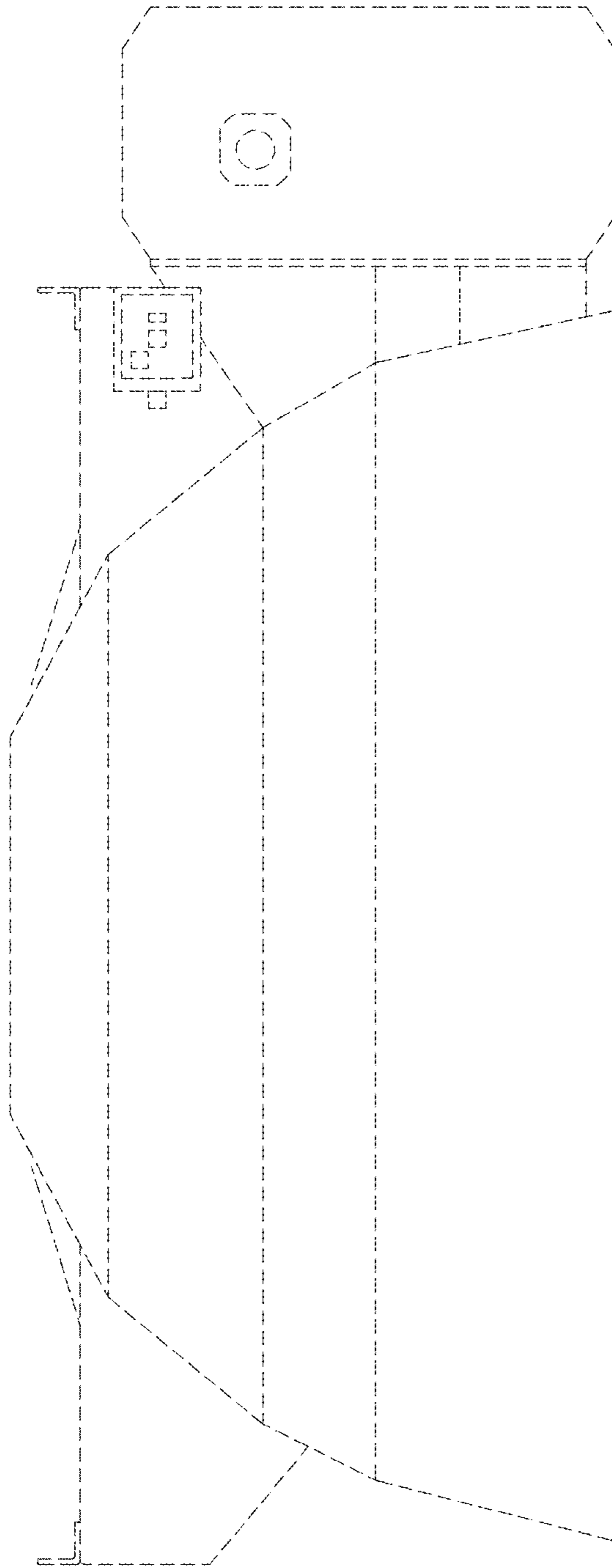


FIG. 6

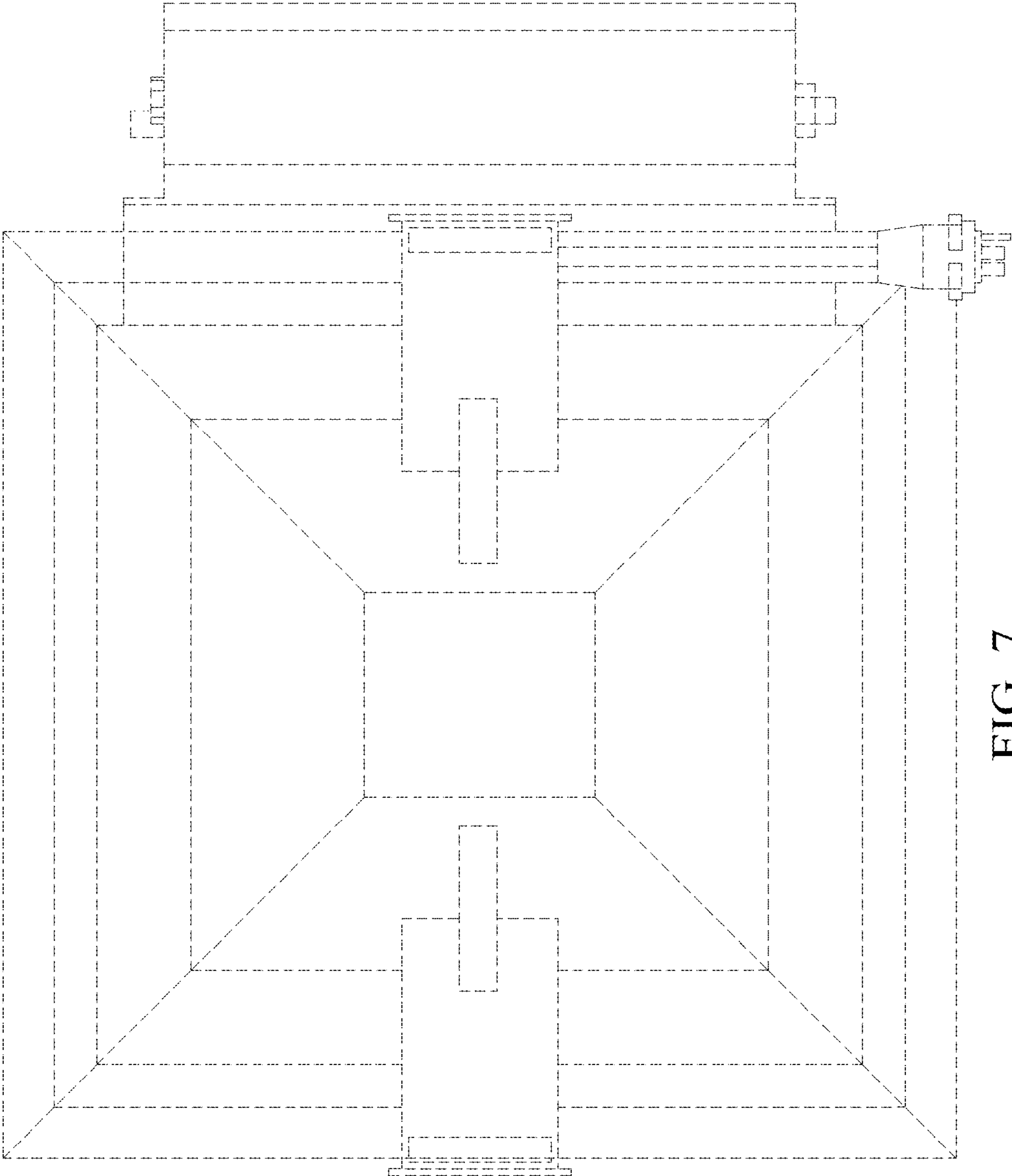


FIG. 7

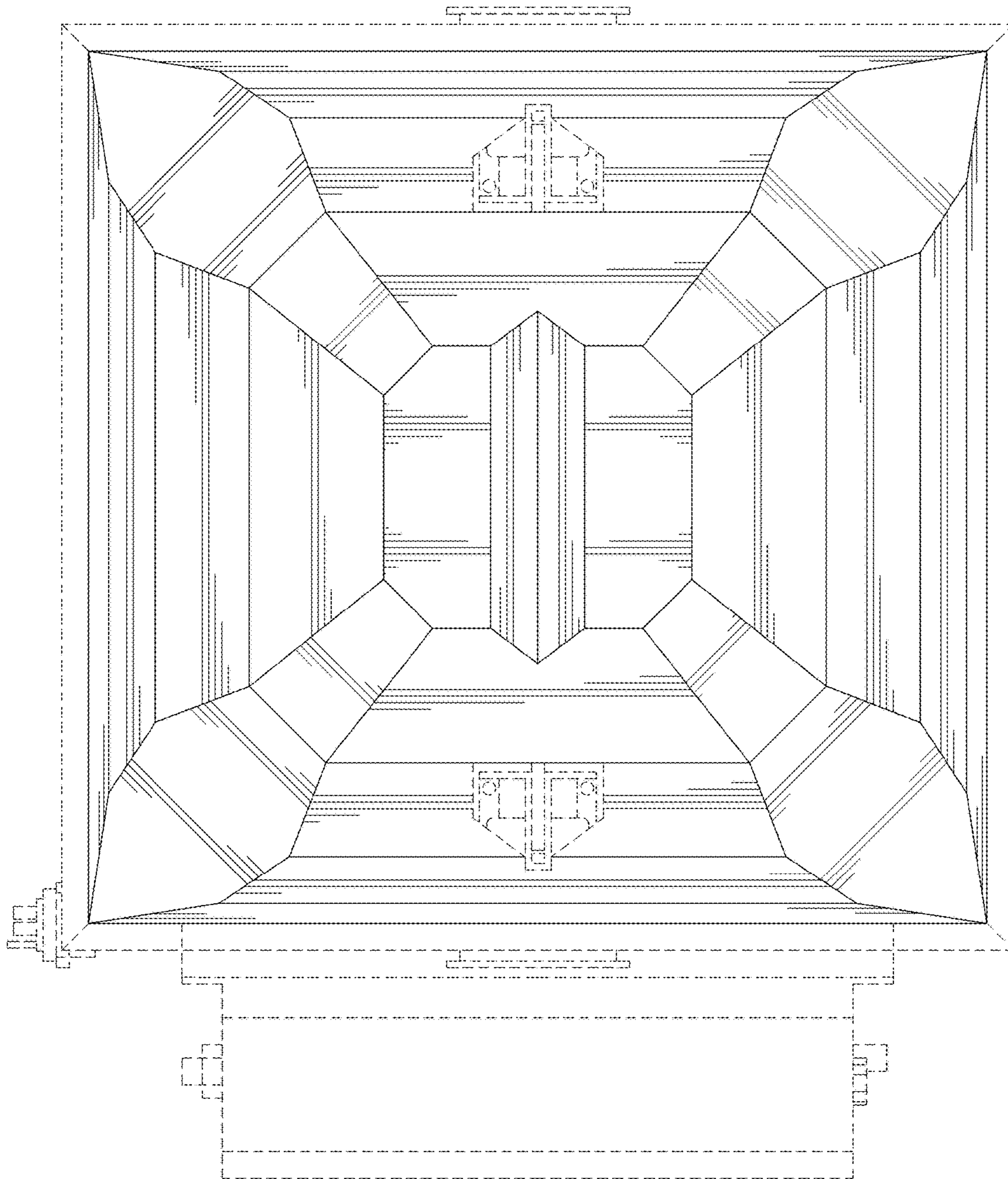


FIG. 8