



US00D950831S

(12) **United States Design Patent**
Wang

(10) **Patent No.:** **US D950,831 S**

(45) **Date of Patent:** **** May 3, 2022**

(54) **RING LIGHT**

(71) Applicant: **Zhaoxia Wang**, Shenzhen (CN)

(72) Inventor: **Zhaoxia Wang**, Shenzhen (CN)

(**) Term: **15 Years**

(21) Appl. No.: **29/748,283**

(22) Filed: **Aug. 28, 2020**

(51) **LOC (13) Cl.** **26-05**

(52) **U.S. Cl.**
USPC **D26/106**

(58) **Field of Classification Search**
USPC D26/1, 2, 3, 24, 61, 93, 106
CPC F21L 2/00; F21S 2/00; F21S 6/00
See application file for complete search history.

(56) **References Cited**

U.S. PATENT DOCUMENTS

D490,930 S *	6/2004	Snead	D26/152
D619,287 S *	7/2010	Liu	D26/62
D767,188 S *	9/2016	Jigamian	D26/50
D860,485 S *	9/2019	Yu	D26/24
D873,328 S *	1/2020	Shen	D16/239
D877,392 S *	3/2020	Yu	D26/79
D887,590 S *	6/2020	Ke	D26/1
D901,054 S *	11/2020	Zhao	D26/61
D910,220 S *	2/2021	Wang	D26/63
D910,221 S *	2/2021	Wang	D26/63
D929,025 S *	8/2021	Xiao	D26/106
D929,026 S *	8/2021	Feng	D26/106
D932,681 S *	10/2021	Chen	D26/104

FOREIGN PATENT DOCUMENTS

GB 6117524 * 2/2021

OTHER PUBLICATIONS

Amazon, "LED Ring Light 6" with Tripod Stand for YouTube Video", first available Dec. 7, 2018. (<https://www.amazon.com/Tripod-YouTube-Makeup-Desktop-Brightness/dp/B07JX79GBS>) (Year: 2018).*

Amazon, "10" LED Ring Light with Tripod Stand", first available Jan. 13, 2020. (<https://www.amazon.com/Adjustable-Bluetooth-Shutter-Photography-Compatible/dp/B083ST75NM/>) (Year: 2020).*

Amazon, "6.2" Table Selfie Ring Light with Stand", first available Jan. 12, 2020. (<https://www.amazon.co.uk/Desktop-Dimmable-Brightness-Photography-Compatible/dp/B08B3M28VG>) (Year: 2020).*

Amazon, "6" Ring Light Clip On", first available Apr. 27, 2021. (<https://www.amazon.com/dp/B093K9PWY/?th=1>) (Year: 2021).*

* cited by examiner

Primary Examiner — Lauren D McVey

Assistant Examiner — Justin A Johnson

(57) **CLAIM**

The ornamental design for a ring light, as shown and described.

DESCRIPTION

FIG. 1 is a front elevation view of a ring light showing my new design;

FIG. 2 is a rear elevation view thereof;

FIG. 3 is a left side elevation view thereof;

FIG. 4 is a right side elevation view thereof;

FIG. 5 is top plan view thereof;

FIG. 6 is a bottom plan view thereof;

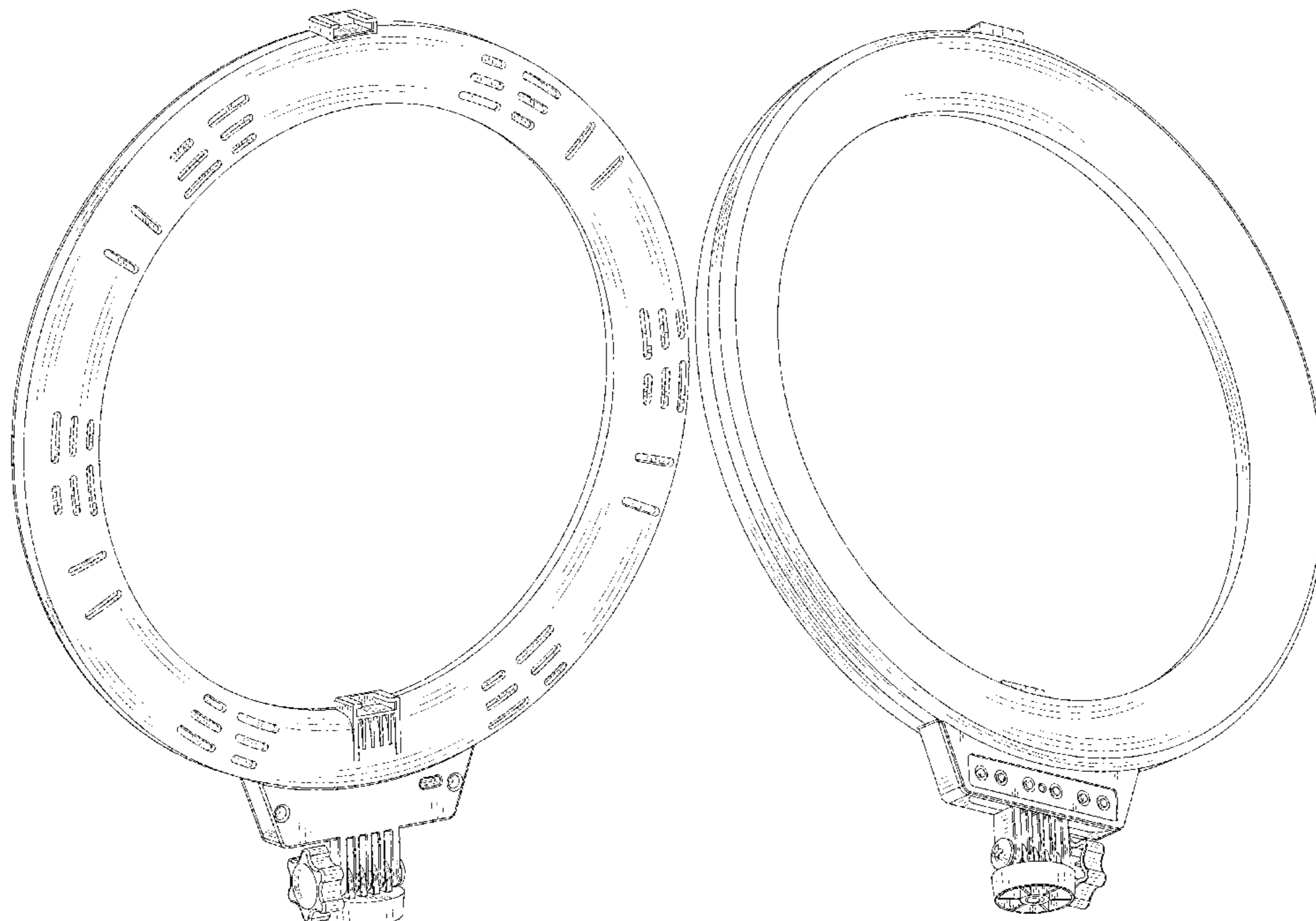
FIG. 7 is a front perspective view thereof; and,

FIG. 8 is a rear perspective view thereof.

The broken lines illustrate portions of the claimed design.

The broken lines form no part of the claimed design.

1 Claim, 8 Drawing Sheets



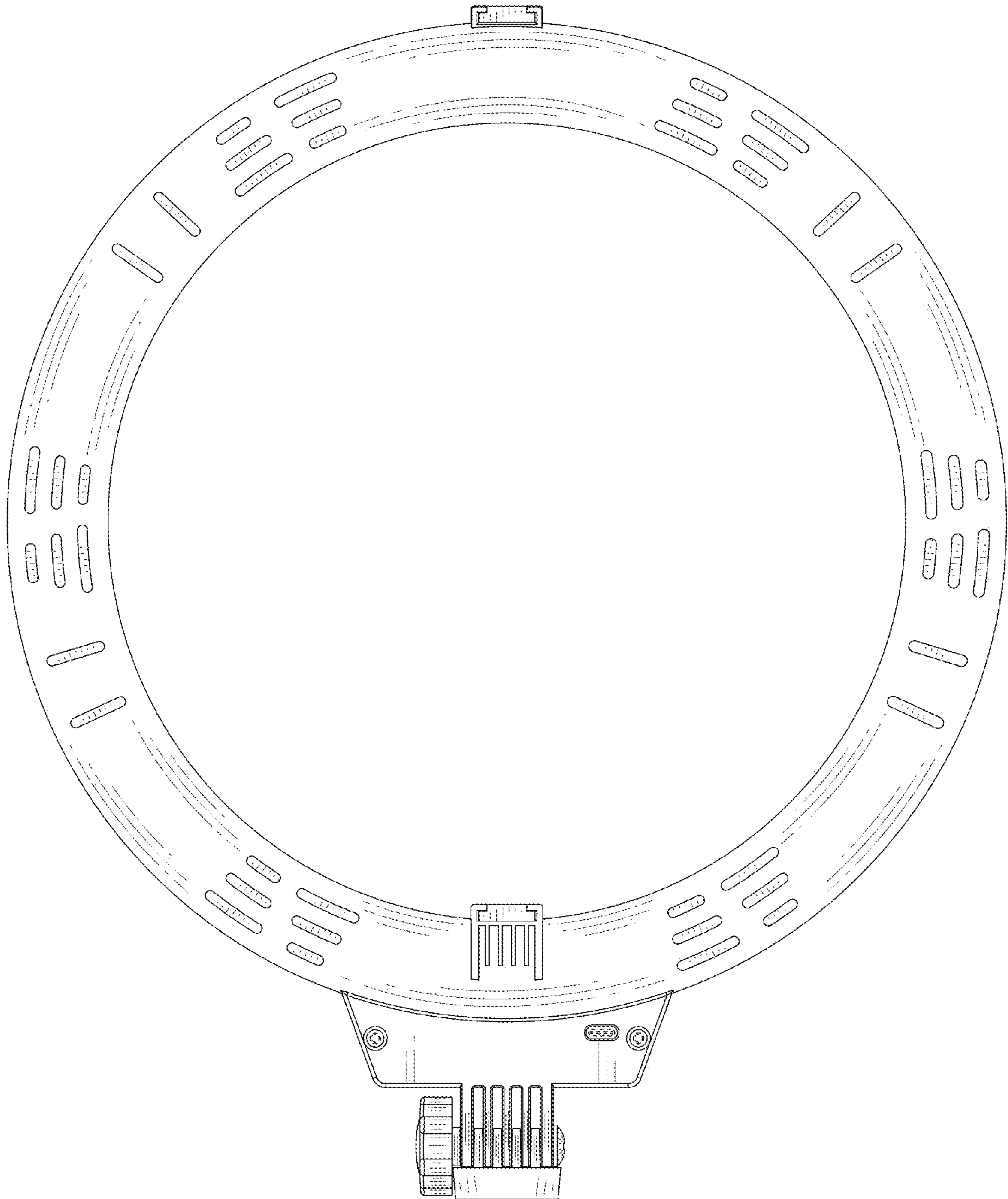


FIG.1

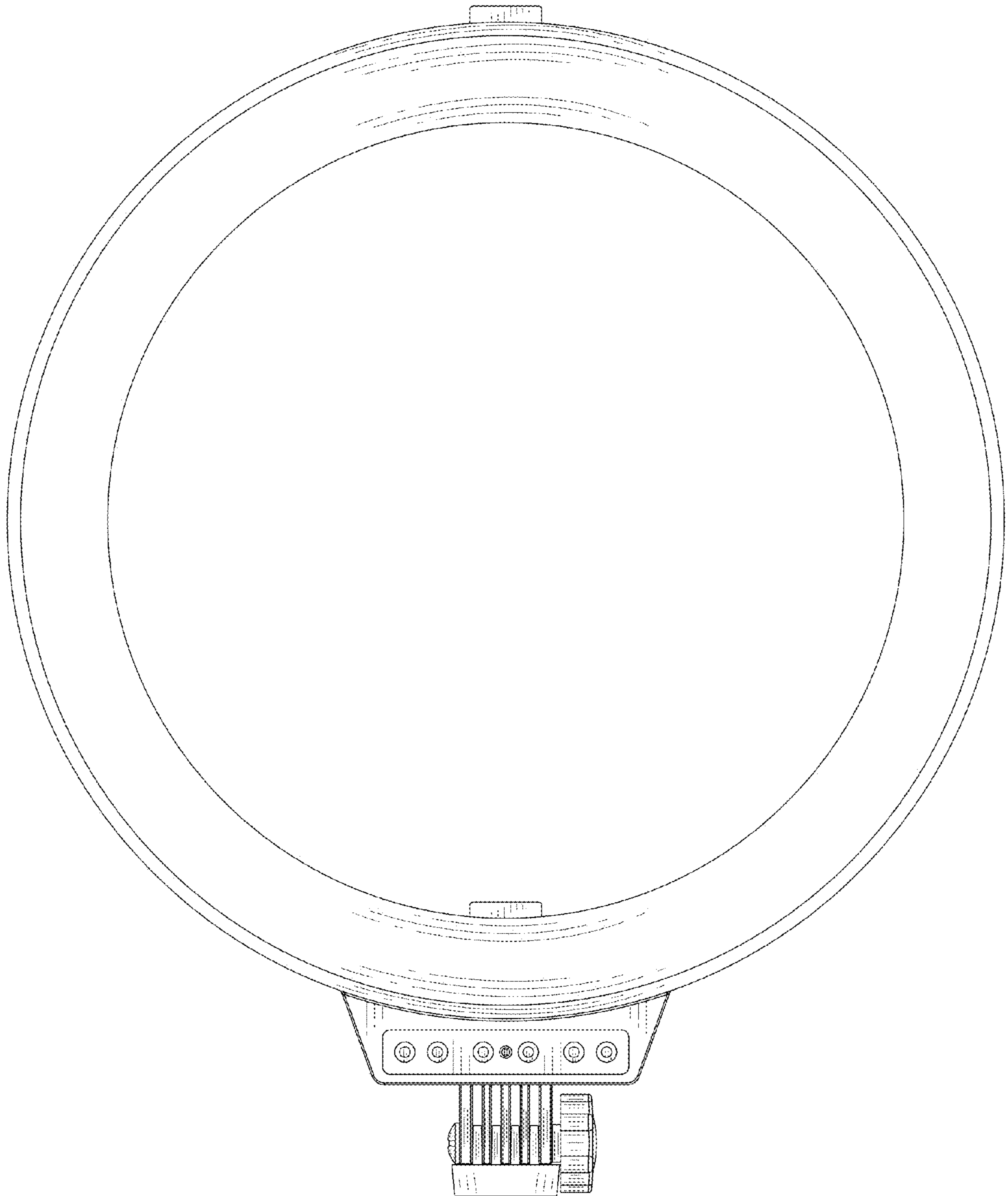


FIG.2

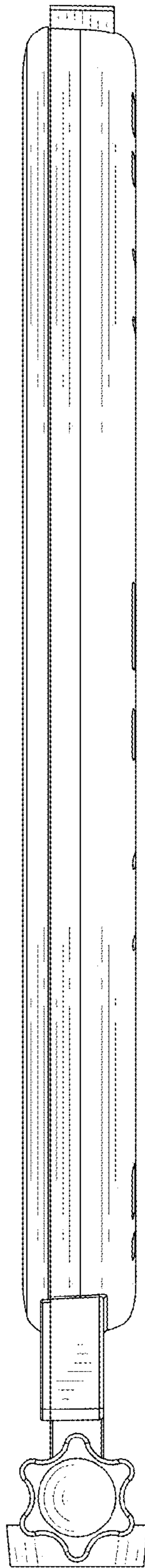


FIG.3

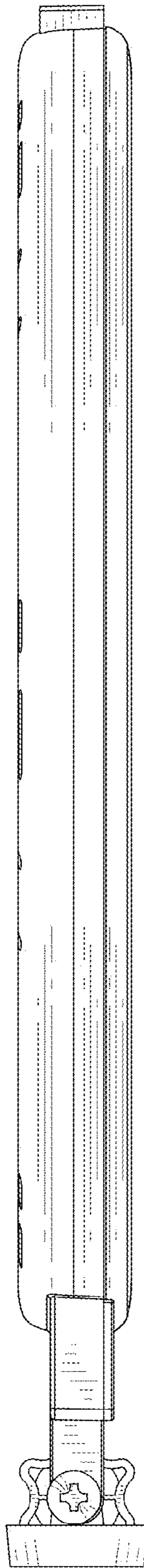


FIG.4

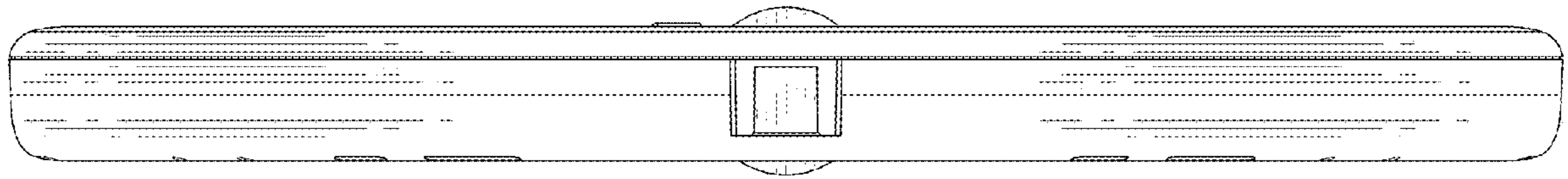


FIG.5

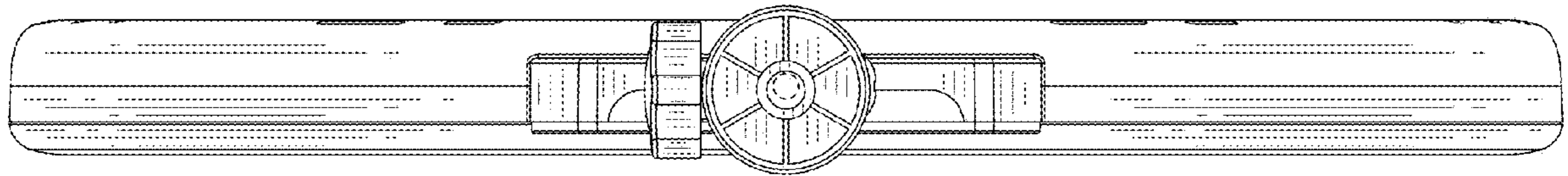


FIG.6

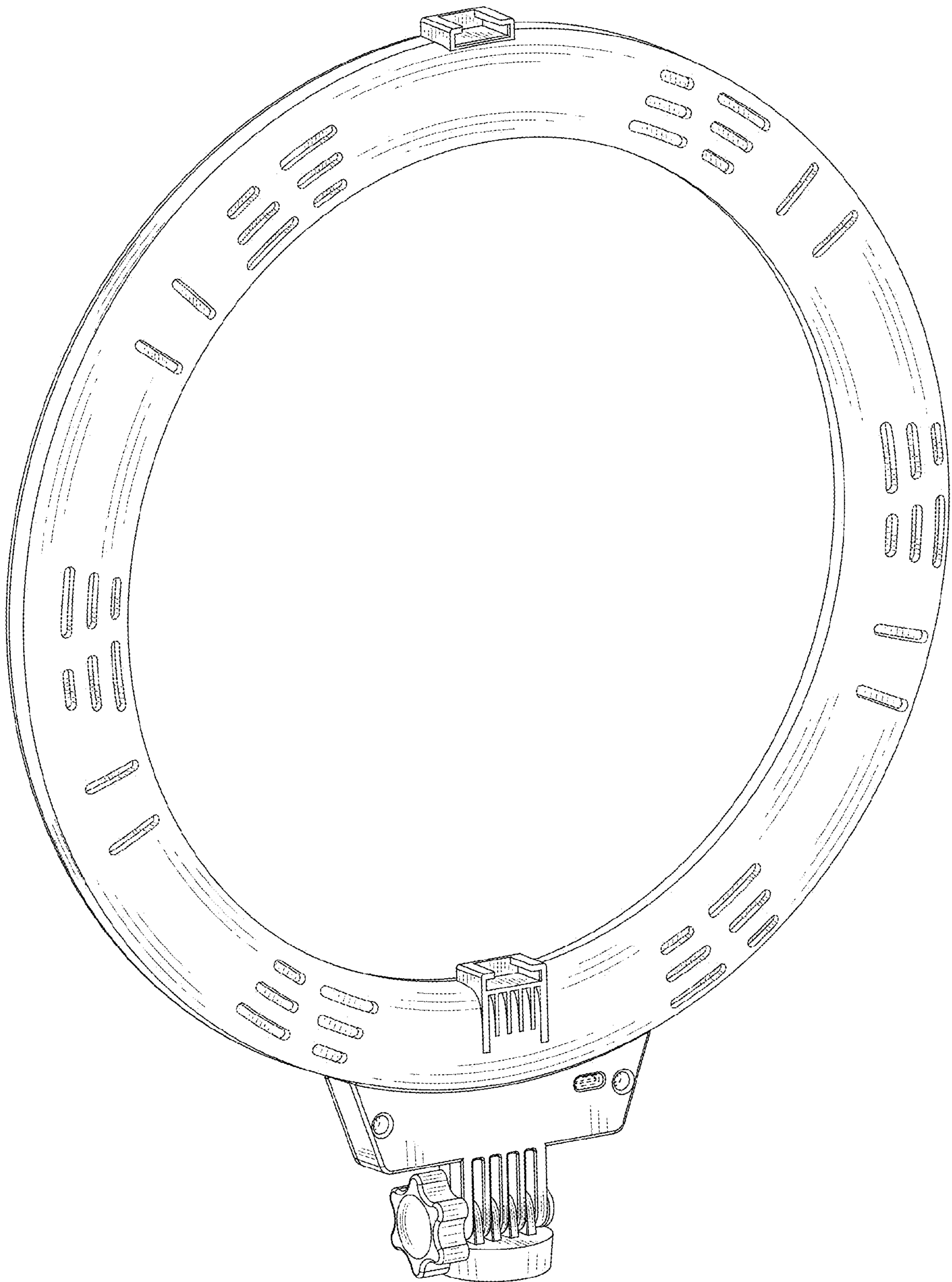


FIG.7

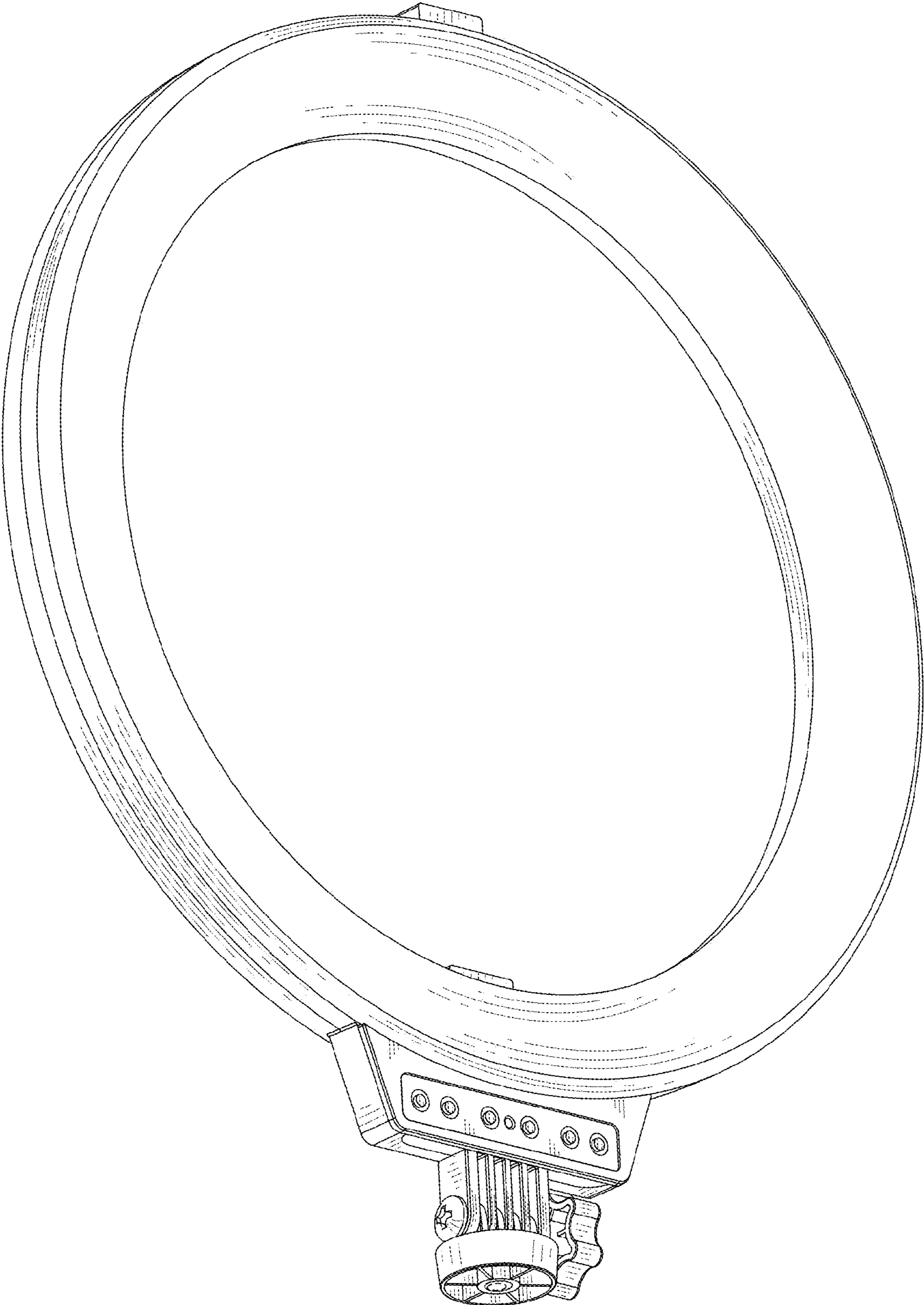


FIG.8