



US00D950828S

(12) **United States Design Patent**
Kong

(10) **Patent No.:** **US D950,828 S**

(45) **Date of Patent:** **** May 3, 2022**

(54) **SOLAR LIGHT**

D938,638 S * 12/2021 Chen D26/85
D940,940 S * 1/2022 Wu D26/72
D943,136 S * 2/2022 Wu D26/85

(71) Applicant: **Lingguo Kong**, Zhongshan (CN)

(72) Inventor: **Lingguo Kong**, Zhongshan (CN)

(73) Assignee: **Zhongshan Xiaolan Town Yaoshuoli Lighting Factory**, Zhongshan (CN)

(**) Term: **15 Years**

(21) Appl. No.: **29/706,409**

(22) Filed: **Sep. 19, 2019**

(51) **LOC (13) Cl.** **26-03**

(52) **U.S. Cl.**

USPC **D26/85**; D26/72

(58) **Field of Classification Search**

USPC D26/72, 80, 85, 87, 67
CPC F21S 8/03; F21S 8/033; F21S 8/032; F21S 8/024; F21S 8/022; F21S 9/037; F21W 2111/027; F21W 2121/004; F21W 2131/107

See application file for complete search history.

(56) **References Cited**

U.S. PATENT DOCUMENTS

D844,212 S * 3/2019 Chen D26/85
D846,177 S * 4/2019 Wen D26/85
D848,049 S * 5/2019 Hu D26/85
D848,658 S * 5/2019 Tan D26/85
D882,855 S * 4/2020 Liu D26/85
D890,402 S * 7/2020 Liu D26/85

OTHER PUBLICATIONS

Merece 100LED Ultra Bright Solar Motion Sensor Outdoor Lights, ASIN: B08GPVRSY5. Available from amazon.com Apr. 2020. (Year: 2020).*

Ketive 140 LEDs Solar Motion Lights, ASIN: B08QSBC7F3. Available from amazon.com Apr. 2, 2021. (Year: 2021).*

Stoneway Solar Wall Light sold at walmart.com, website visited Feb. 17, 2022. (Year: 2022).*

CY Lights & Lighting 208 LED Solar Light sold at joom.com as early as Mar. 2, 2020. (Year: 2020).*

* cited by examiner

Primary Examiner — Clare E Heflin

(57) **CLAIM**

The ornamental design for a solar light, as shown and described.

DESCRIPTION

FIG. 1 is a front, top perspective view of the solar light showing my new design;

FIG. 2 is a rear, bottom perspective view thereof;

FIG. 3 is a front elevational view thereof;

FIG. 4 is a rear elevational view thereof;

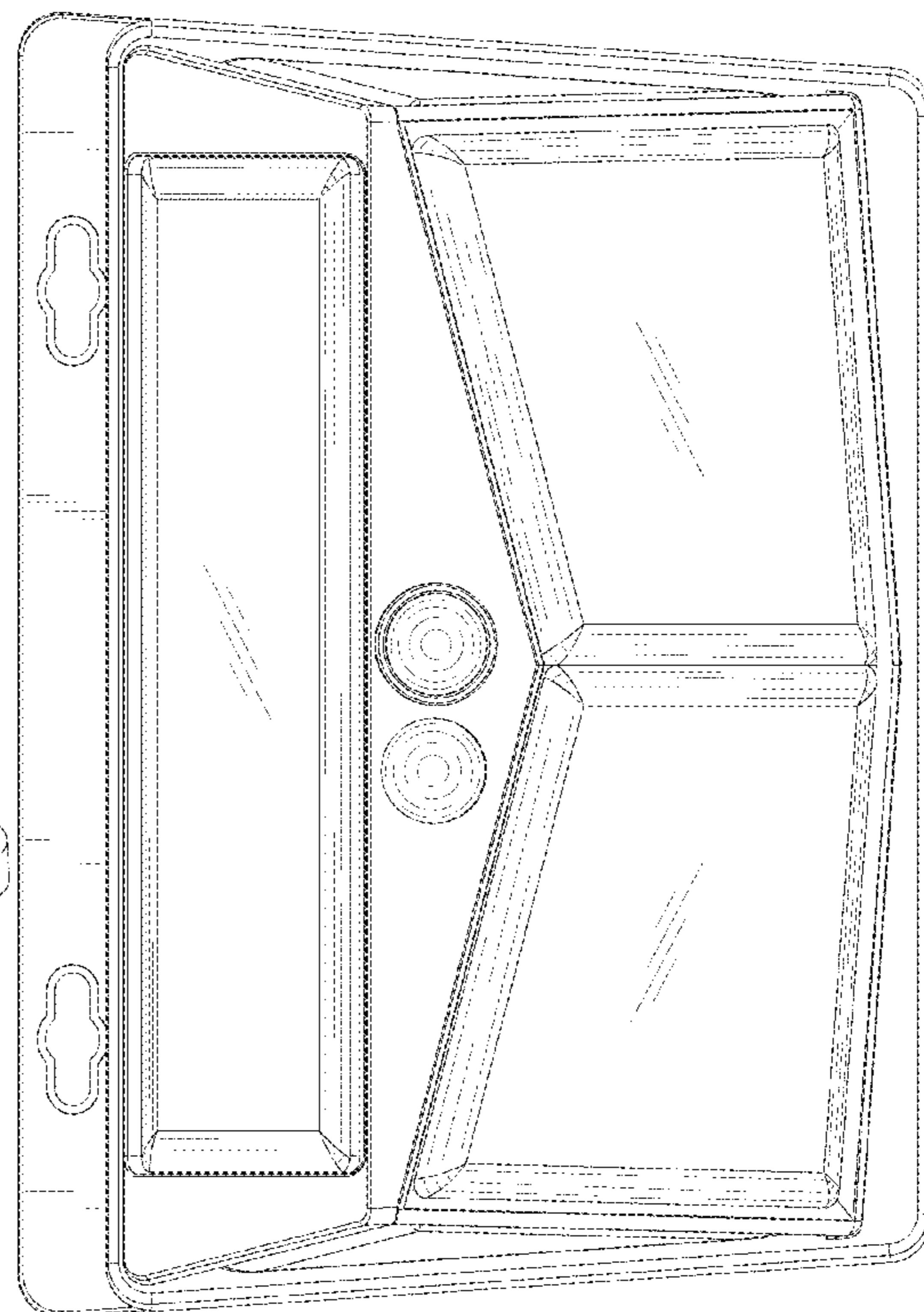
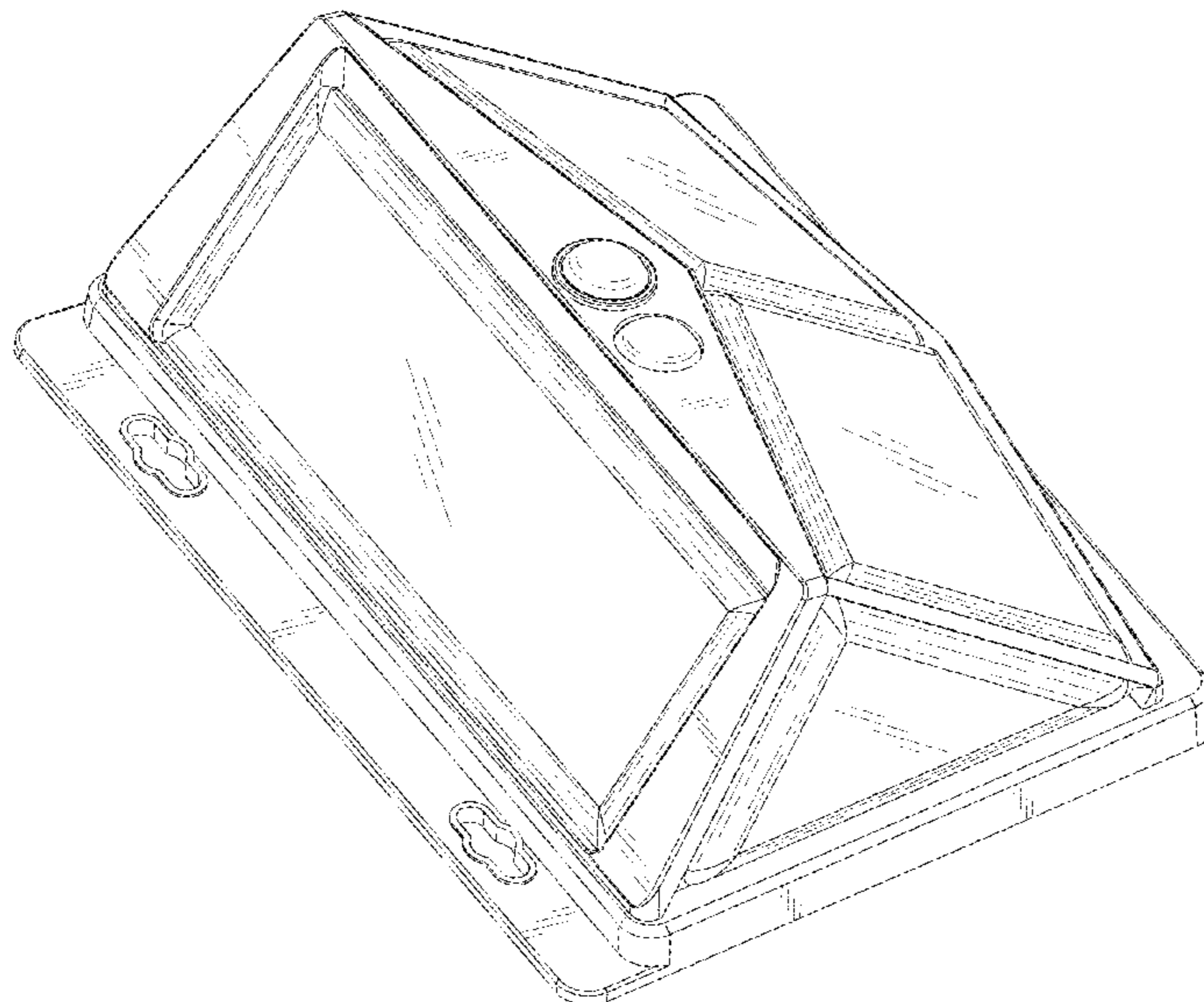
FIG. 5 is a top plan view thereof;

FIG. 6 is a bottom plan view thereof;

FIG. 7 is a left side elevational view thereof; and,

FIG. 8 is a right side elevational view thereof.

1 Claim, 8 Drawing Sheets



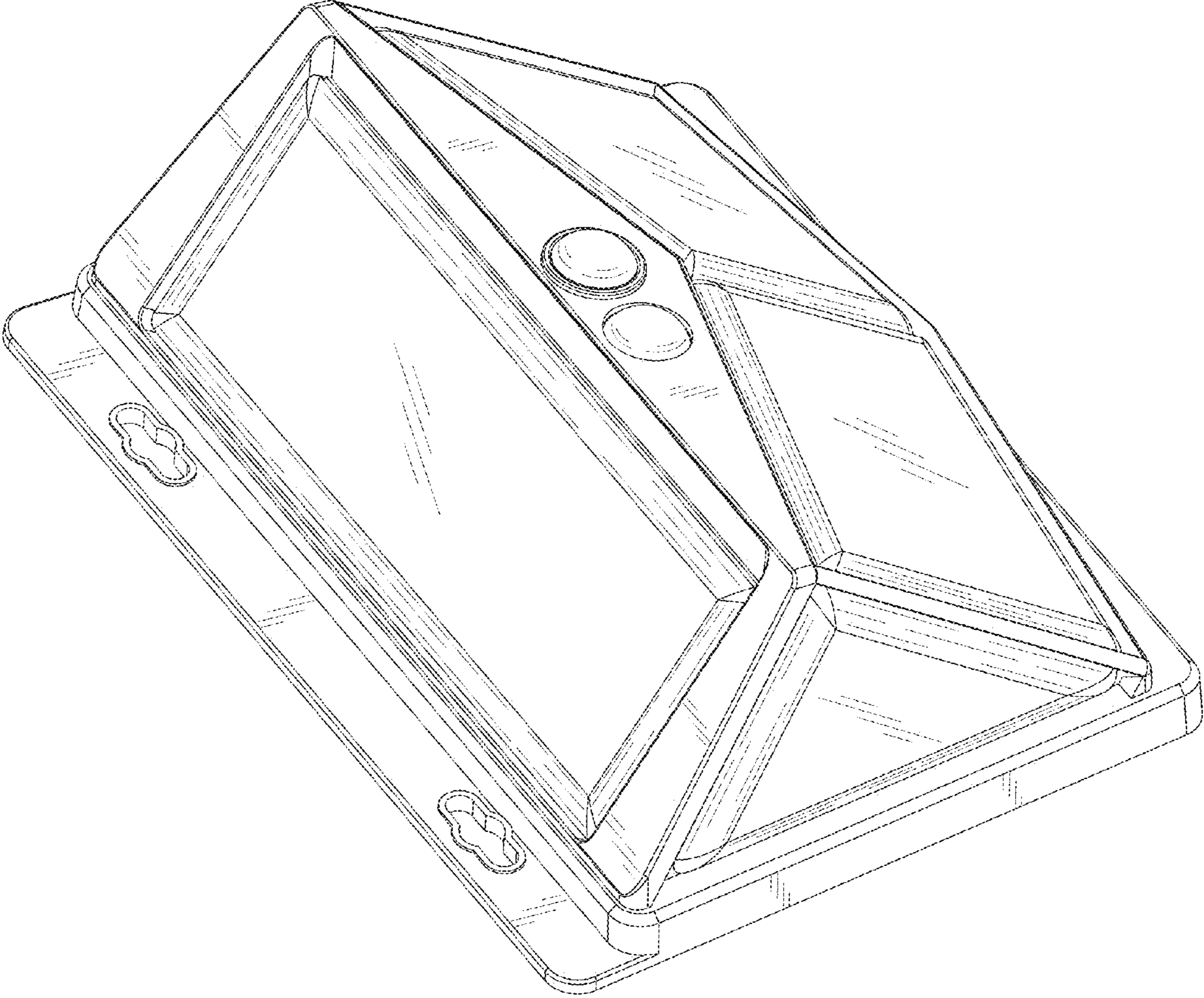


FIG. 1

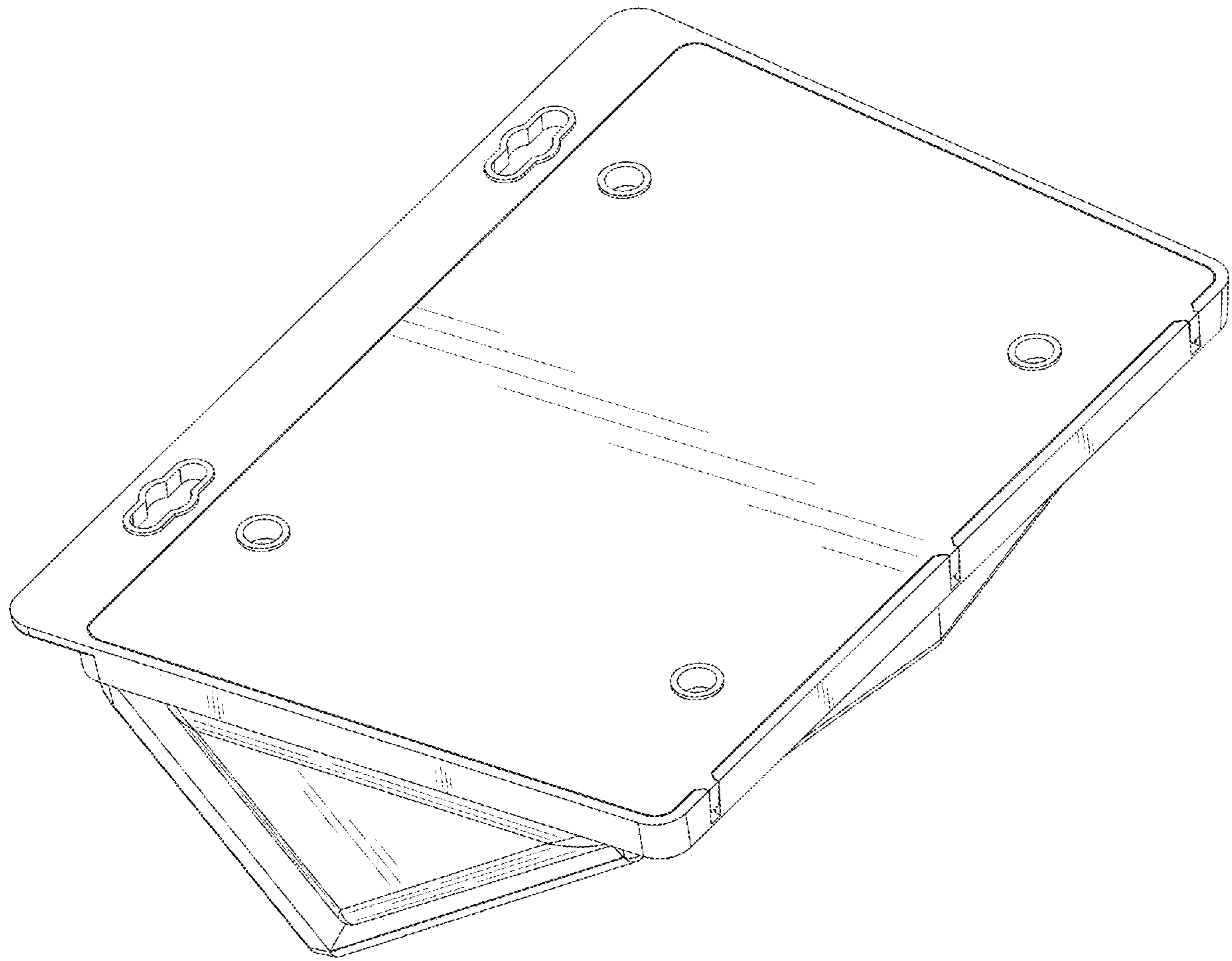


FIG. 2

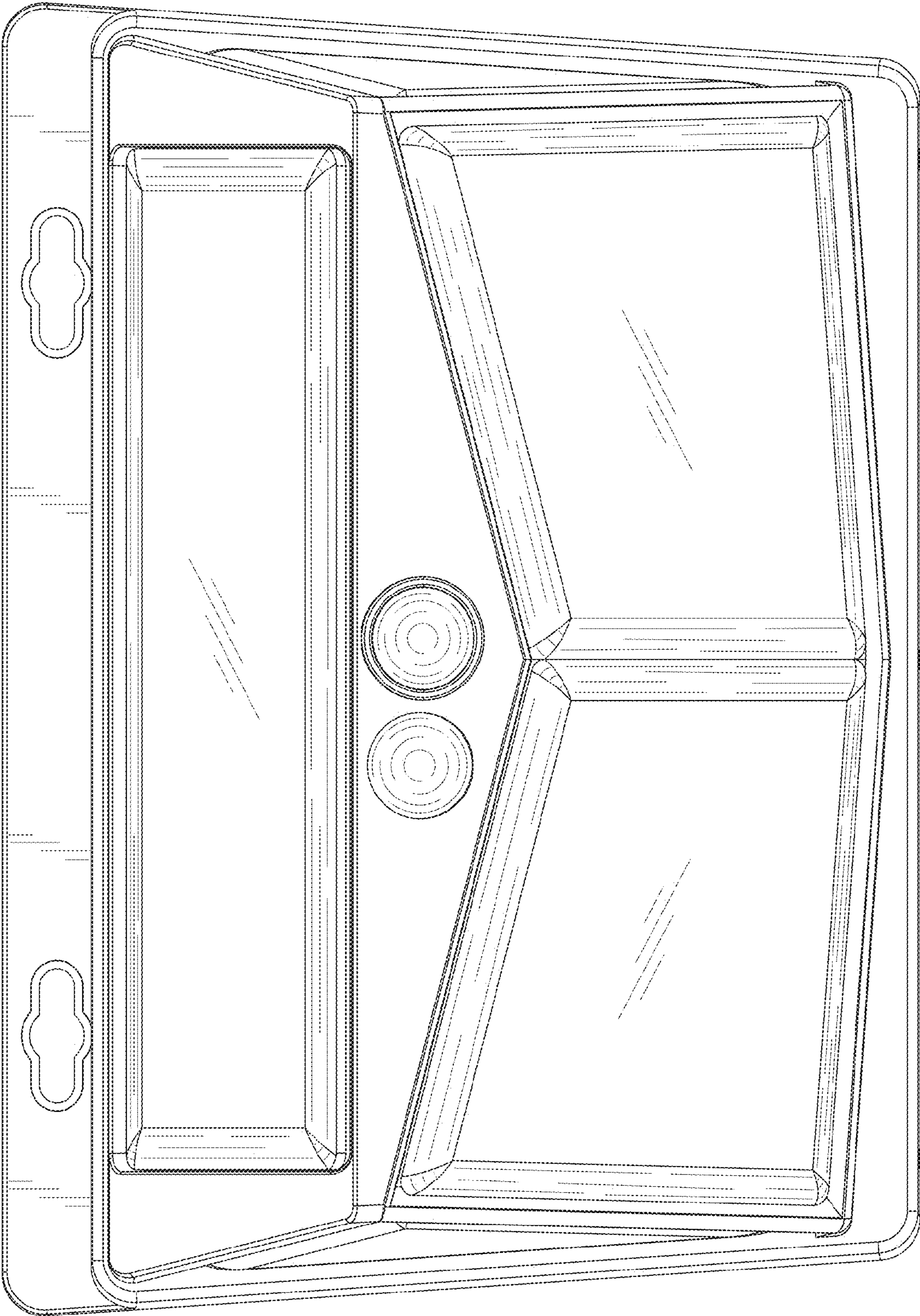


FIG. 3

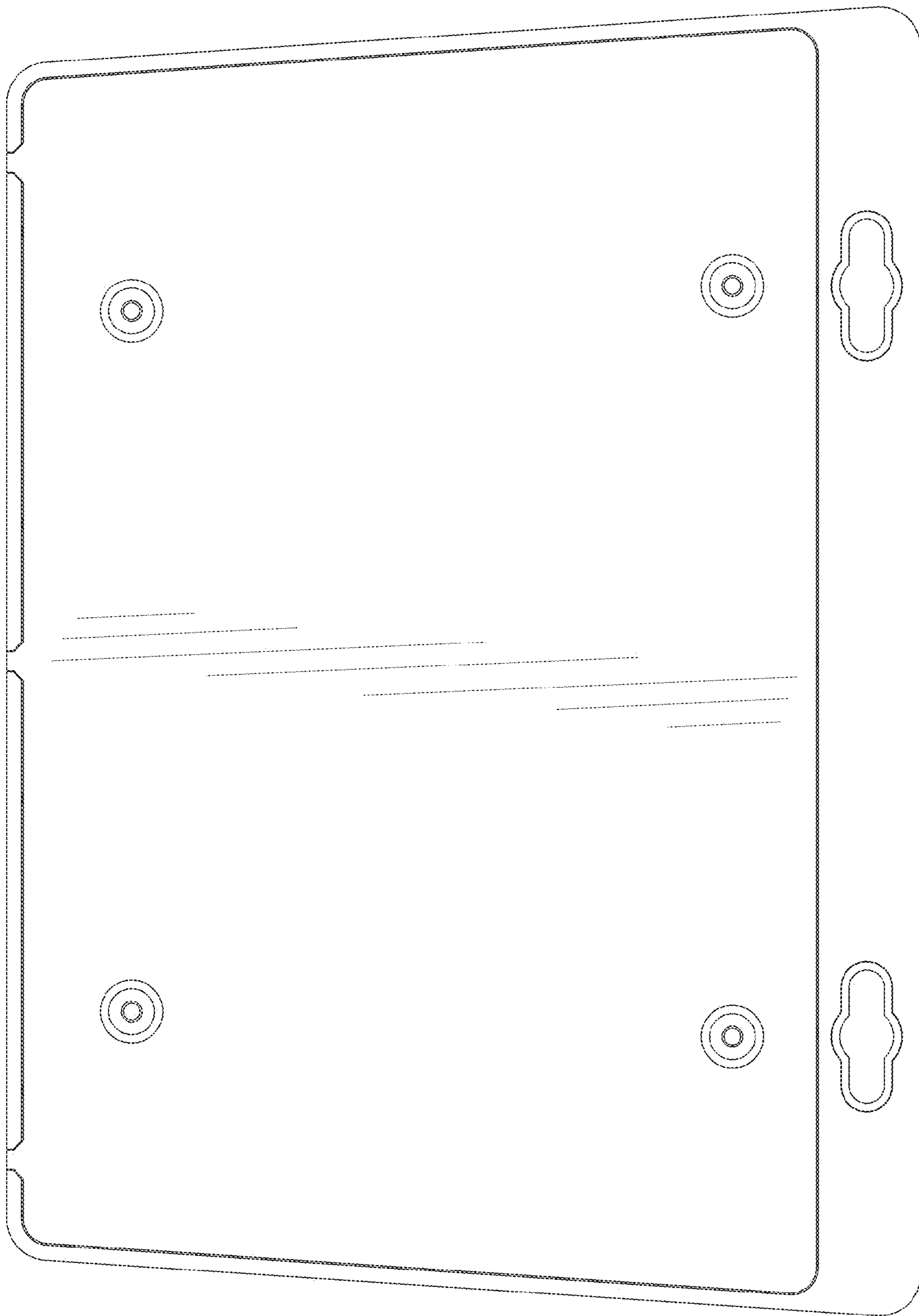


FIG. 4

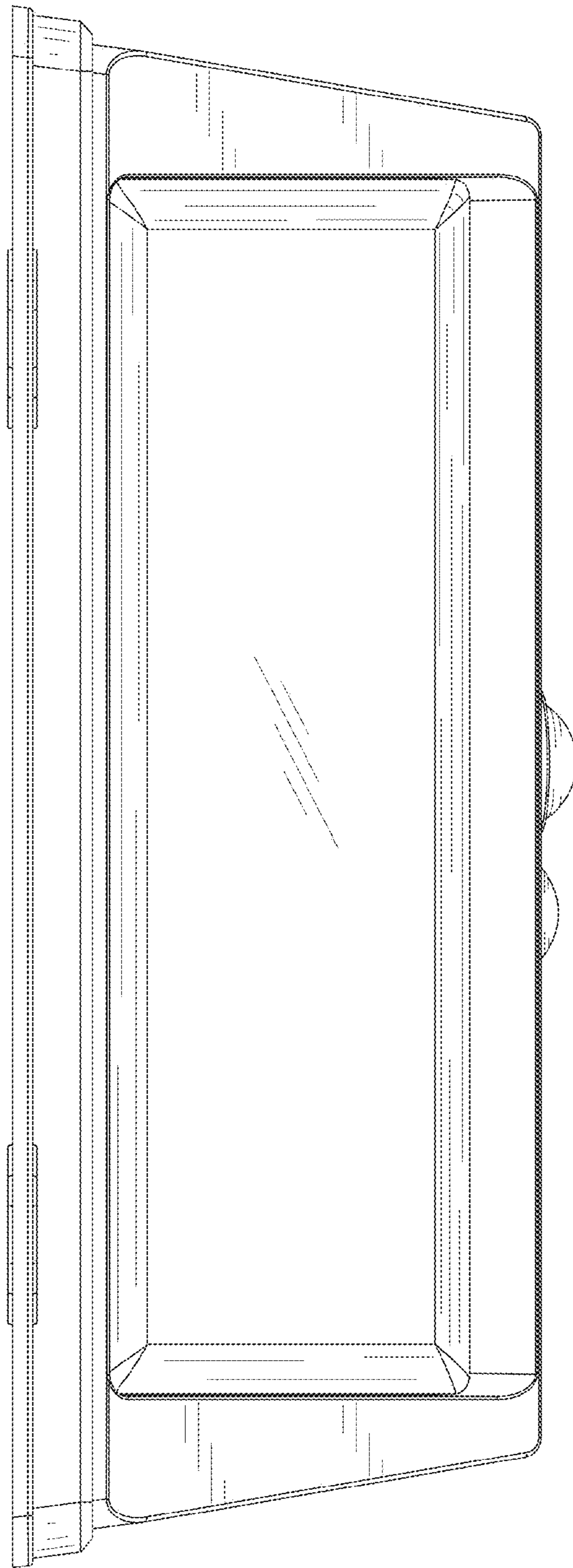


FIG. 5

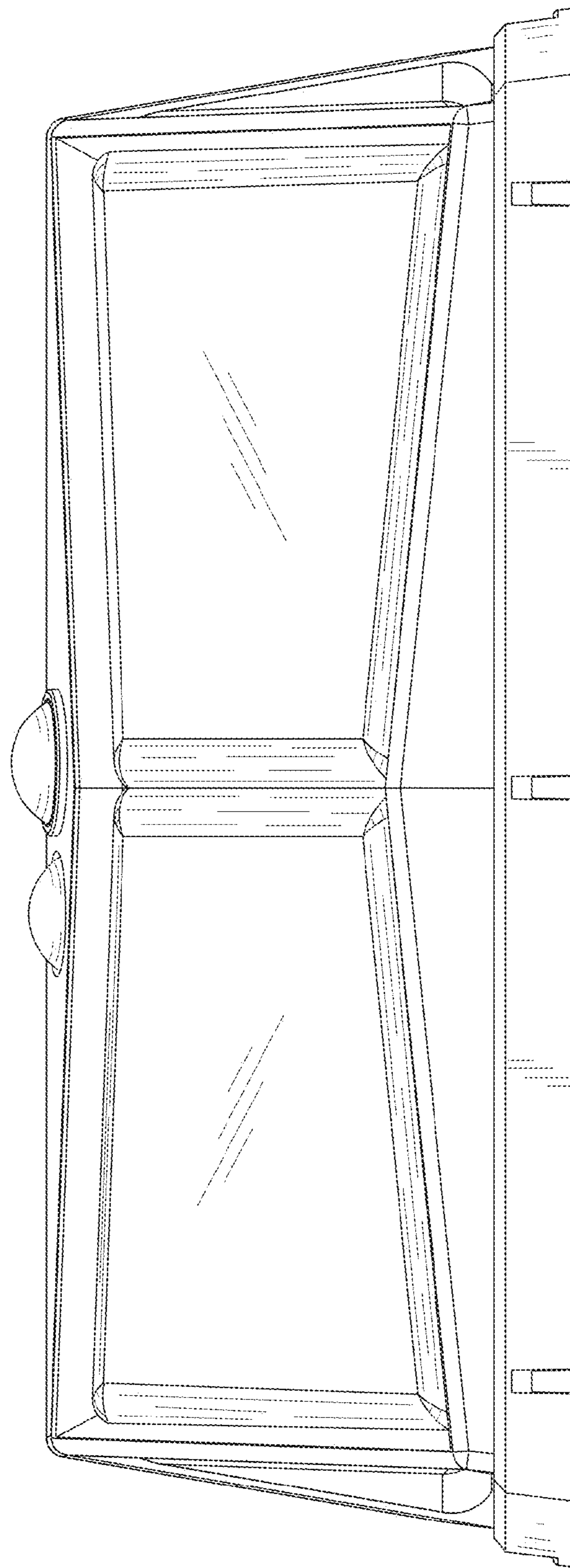


FIG. 6

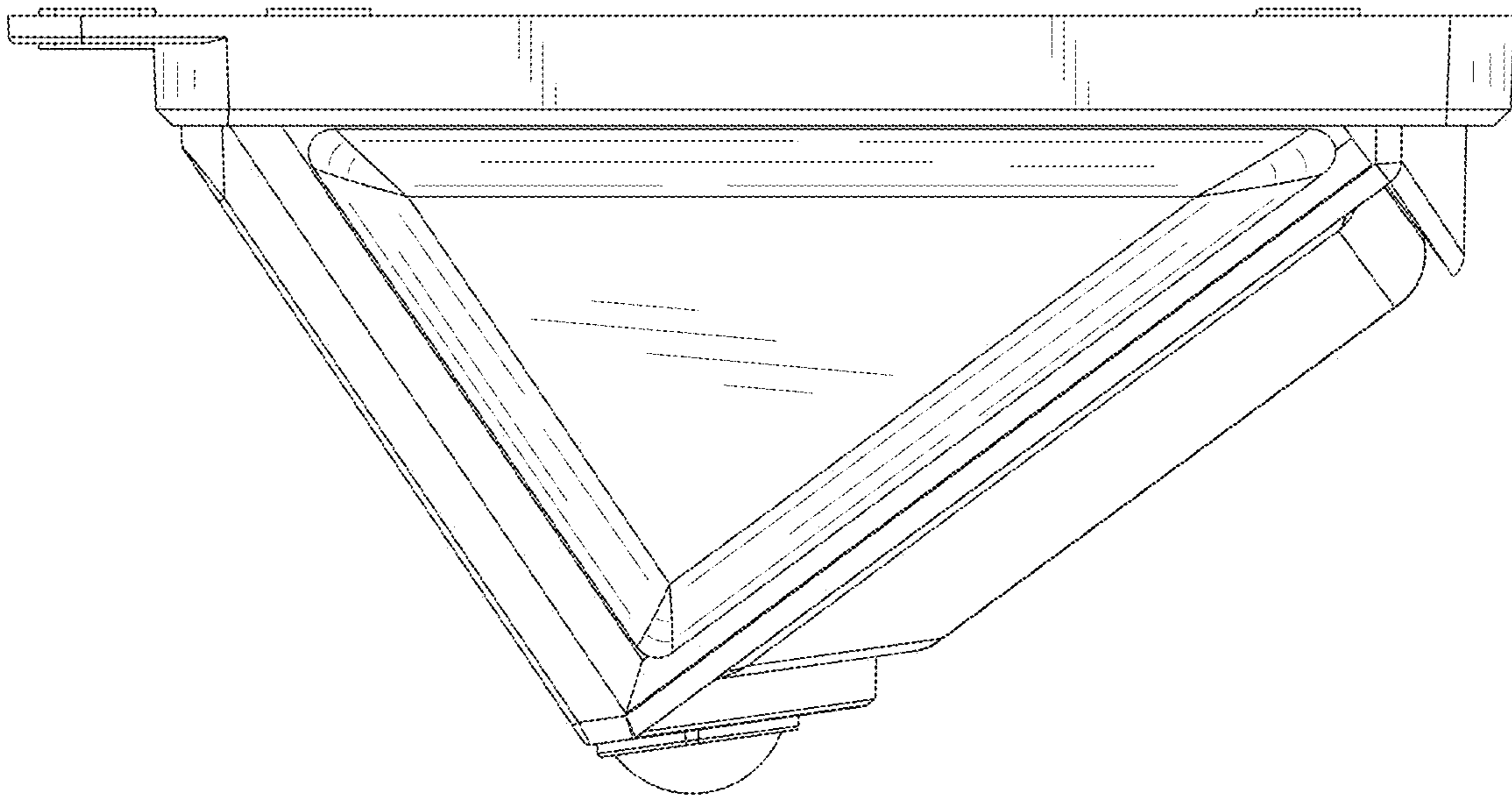


FIG. 7

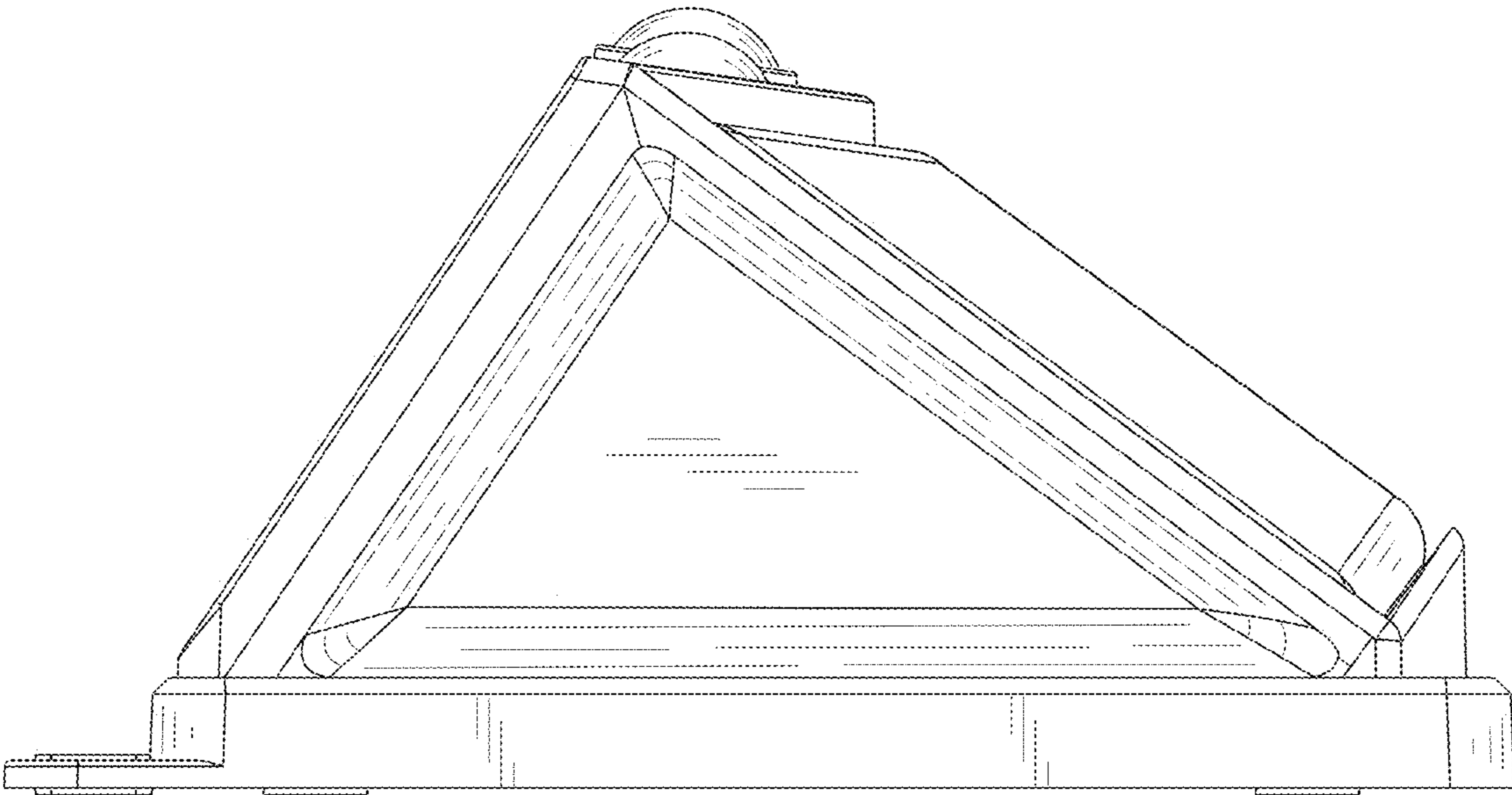


FIG. 8