



US00D950827S

(12) **United States Design Patent**
Amato et al.

(10) **Patent No.:** **US D950,827 S**

(45) **Date of Patent:** **** May 3, 2022**

(54) **LIGHTING FIXTURE**

(71) Applicant: **The Urban Electric Company**, North Charleston, SC (US)

(72) Inventors: **Michael Amato**, London (GB); **David Dawson**, Charleston, SC (US); **Jonathan Charpia**, Summerville, SC (US); **Joeangel Casanova**, Brooklyn, NY (US); **Brianna Magagnoli**, North Charleston, SC (US); **Janis Golubeckis**, Mount Pleasant, SC (US)

(73) Assignee: **The Urban Electric Company**, North Charleston, SC (US)

(**) Term: **15 Years**

(21) Appl. No.: **29/736,298**

(22) Filed: **May 29, 2020**

(51) **LOC (13) Cl.** **26-05**

(52) **U.S. Cl.**
USPC **D26/81**

(58) **Field of Classification Search**
USPC D26/26, 72, 80, 81, 82, 84-90, 92
CPC F21S 8/04; F21S 8/043; F21S 8/046; F21S 8/06; F21S 8/061; F21S 8/063; F21S 8/065; F21S 8/066; F21S 8/068
See application file for complete search history.

(56) **References Cited**

U.S. PATENT DOCUMENTS

D789,590 S *	6/2017	Sonneman	D26/145
D819,866 S *	6/2018	Amato	D26/81
D835,325 S *	12/2018	Gambrel	D26/155
D857,965 S *	8/2019	Amato	D26/81
D865,263 S *	10/2019	Amato	D26/81
D917,768 S *	4/2021	Chen	D26/87
D920,558 S *	5/2021	Amato	D26/81
D920,559 S *	5/2021	Hendifar	D26/83

D920,562 S *	5/2021	Hendifar	D26/88
D922,652 S *	6/2021	Kehoe	D26/81
D923,856 S *	6/2021	Kehoe	D26/87
D930,884 S *	9/2021	Xu	D26/86

OTHER PUBLICATIONS

Pottery Barn, Tapered Metal Linear Chandelier. First available unknown. Searched Feb. 10, 2022. [https://www.potterybarn.com/products/pb-classic-tapered-metal-linear-chandelier/?pkey=s~Tapered%20Metal%20Linear%20Chandelier~1] (Year: 2022).*
Target Threshold with Studio Mcgee, Metal Two Arm Shaded Chandelier Ceiling Light. First available unknown. Searched Feb. 10, 2022. [https://www.target.com/p/metal-two-arm-shaded-chandelier-ceiling-light-threshold-designed-with-studio-mcgee/-/A-81448523] (Year: 2022).*

(Continued)

Primary Examiner — Samantha Q Lawrence

Assistant Examiner — Melissa Adriane Santos

(74) *Attorney, Agent, or Firm* — Haynsworth Sinkler Boyd, P.A.

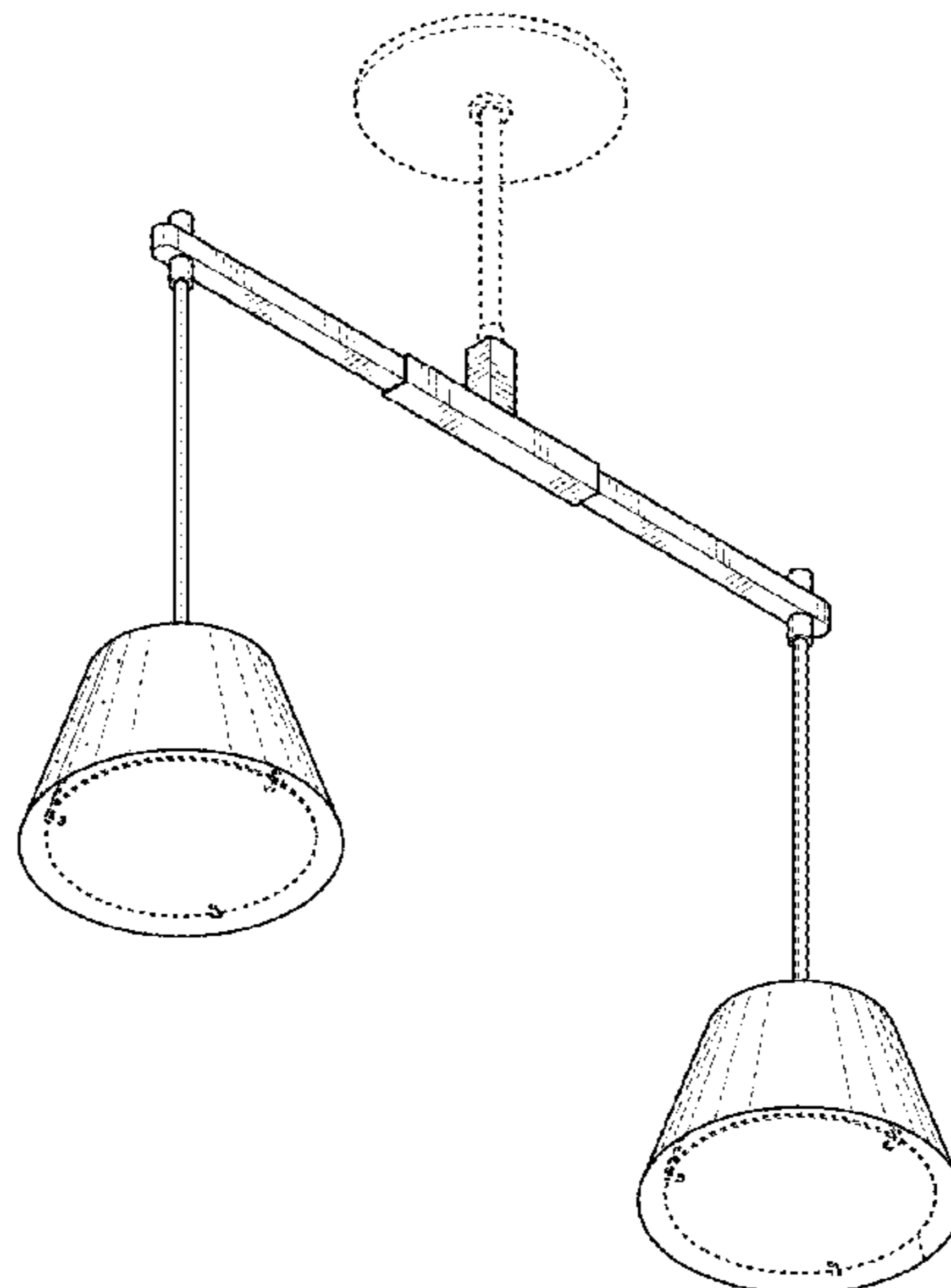
(57) **CLAIM**

The ornamental design for a lighting fixture, as shown and described.

DESCRIPTION

FIG. 1 is a bottom perspective view of a lighting fixture. FIG. 2 is a top perspective view thereof; FIG. 3 is a front elevational view thereof; FIG. 4 is a back elevational view thereof; FIG. 5 is a left elevational view thereof; FIG. 6 is a right elevational view thereof; FIG. 7 is a top plan view thereof; and, FIG. 8 is a bottom plan view thereof. The broken lines shown in FIGS. 1-8 illustrate portions of the lighting fixture that form no part of the claimed design.

1 Claim, 8 Drawing Sheets



(56)

References Cited

OTHER PUBLICATIONS

West Elm, Scultural 2-Light Cone Pendant. First available unknown.
Searched Feb. 10, 2022. [<https://www.westelm.com/products/sculptural-2-light-cone-pendant-milk-w3791/?pkey=s~sculptural%20two%20light%20pendant~171>] (Year: 2022).*
U.S. Appl. No. 29/664,533, The Urban Electric Company.
U.S. Appl. No. 29/679,255, The Urban Electric Company.

* cited by examiner

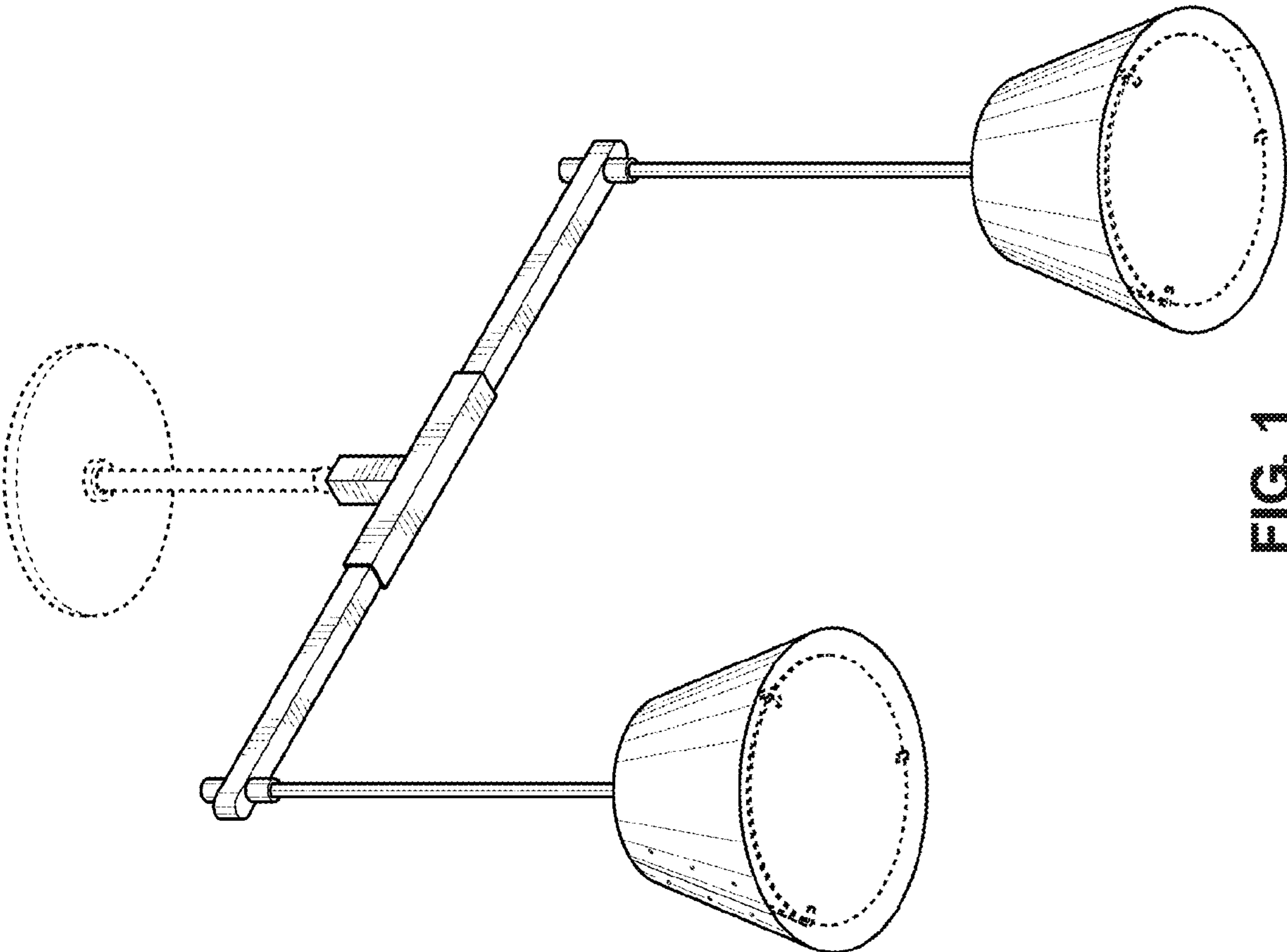


FIG. 1

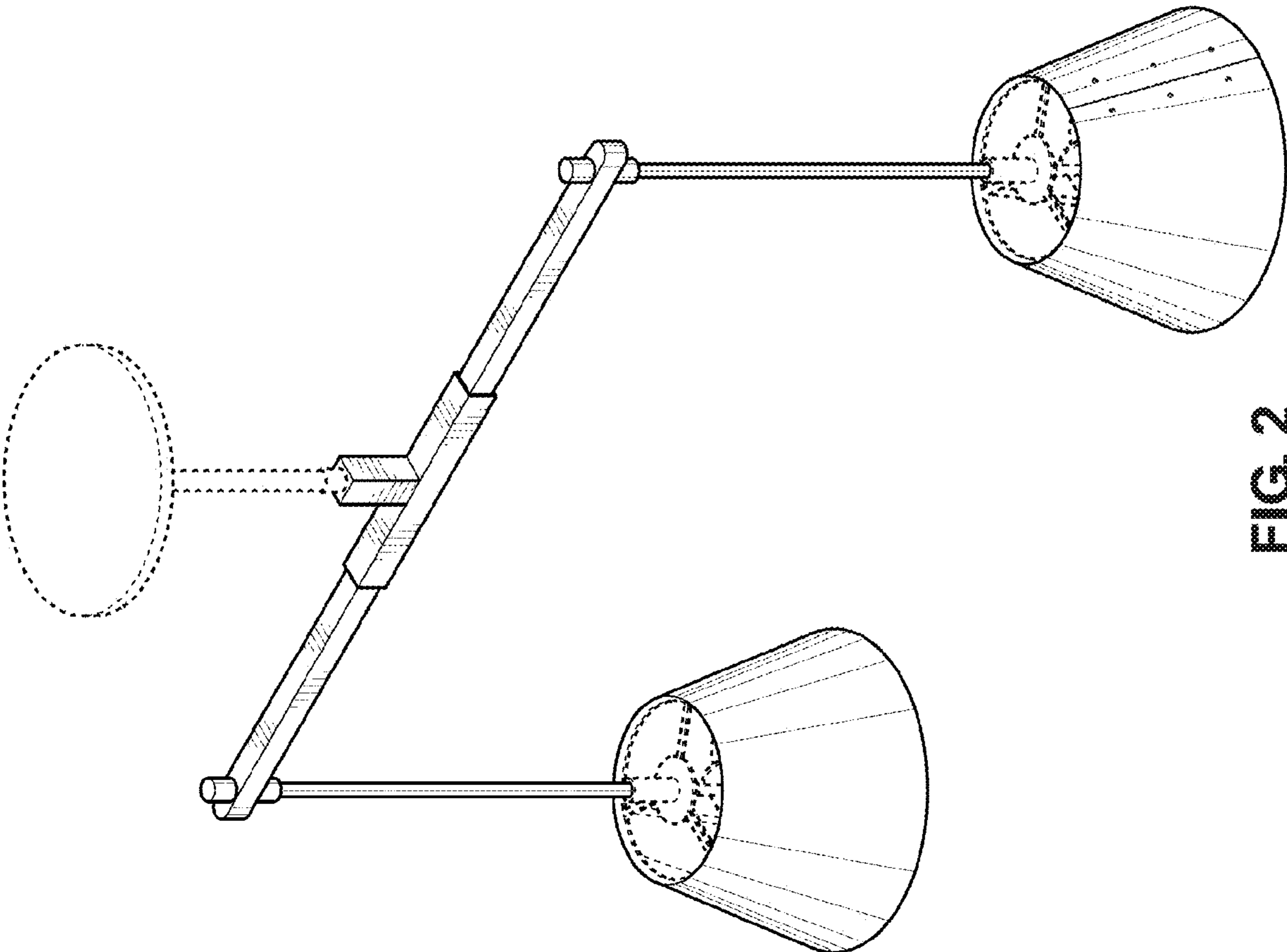


FIG. 2

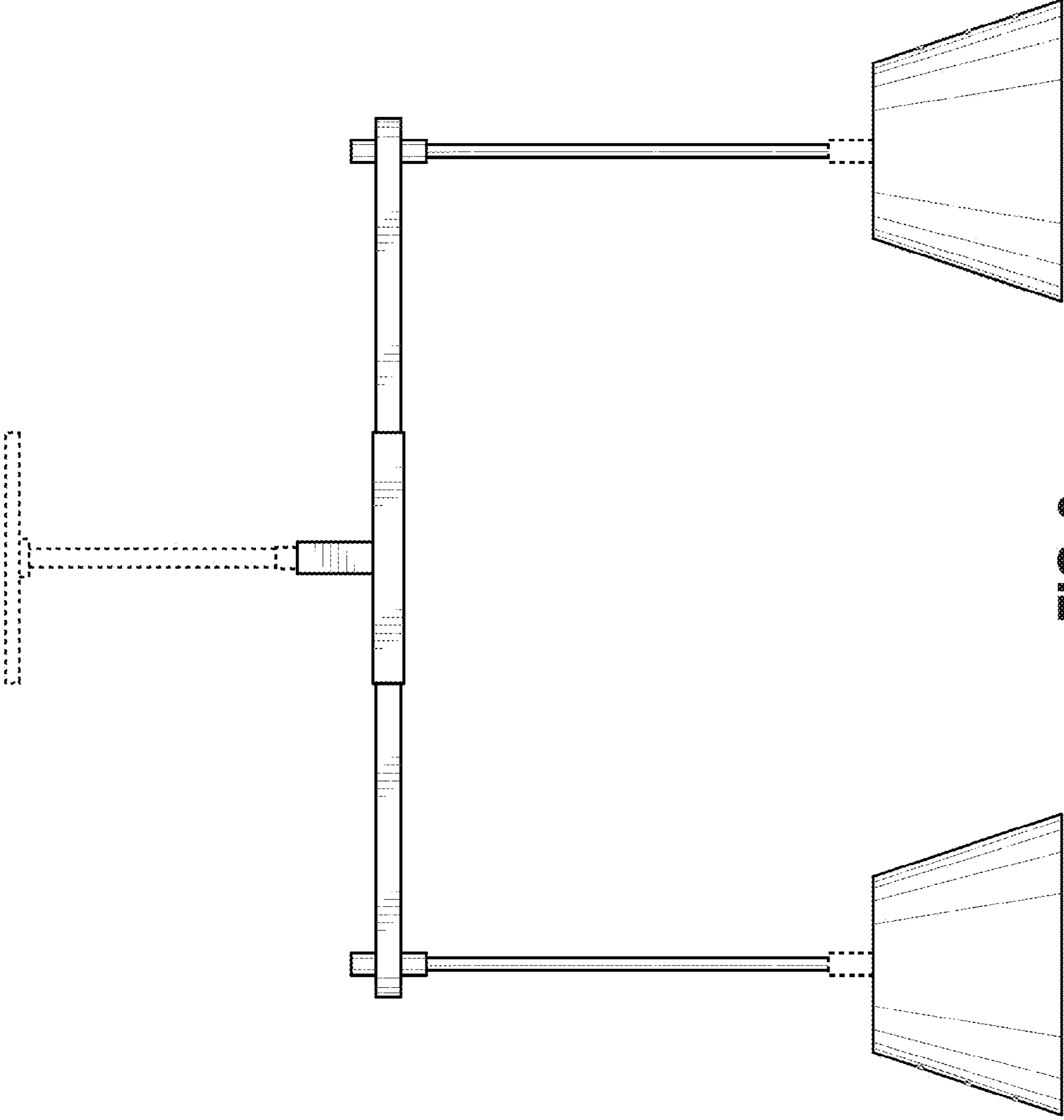


FIG. 3

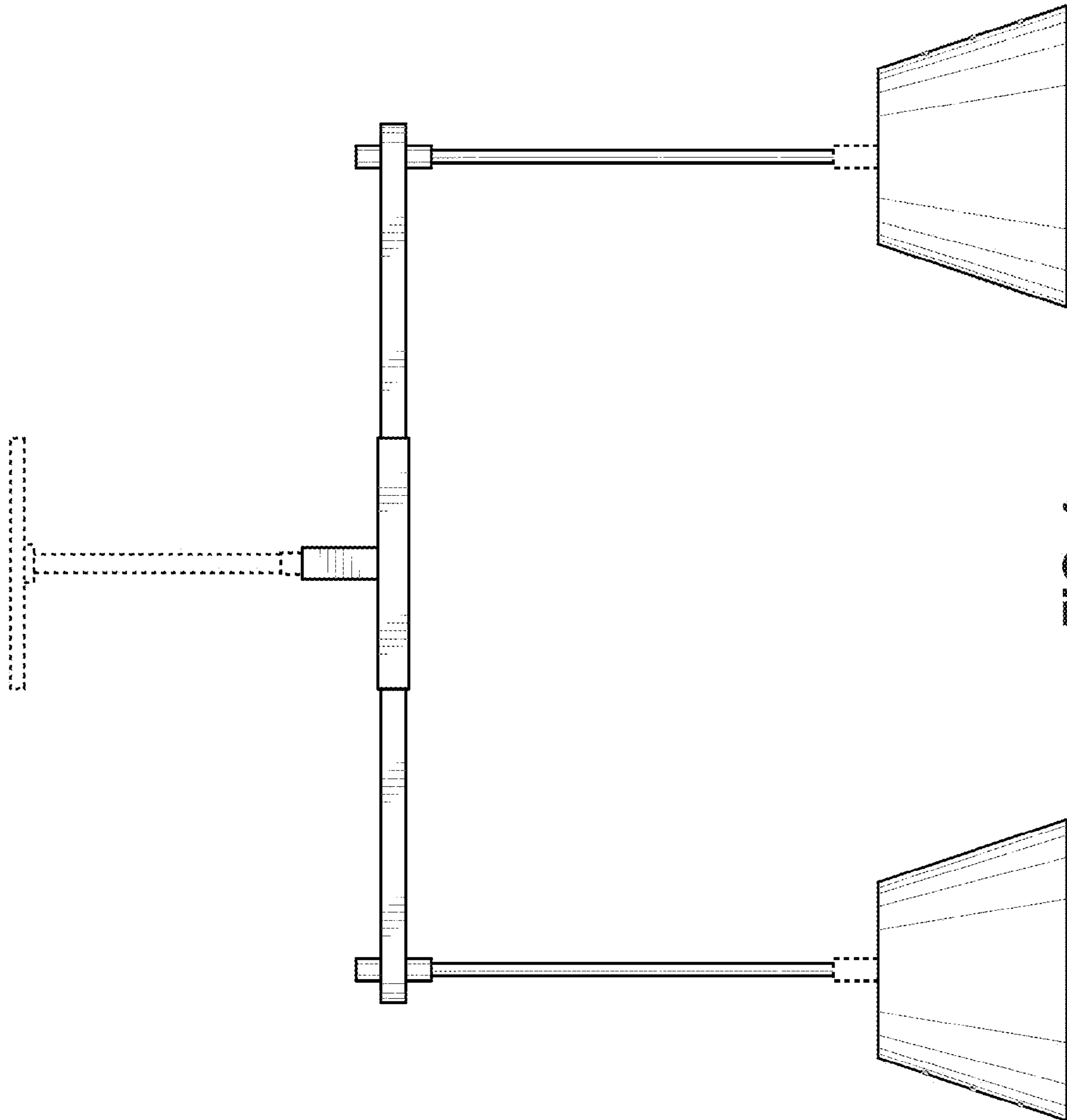


FIG. 4

FIG. 5

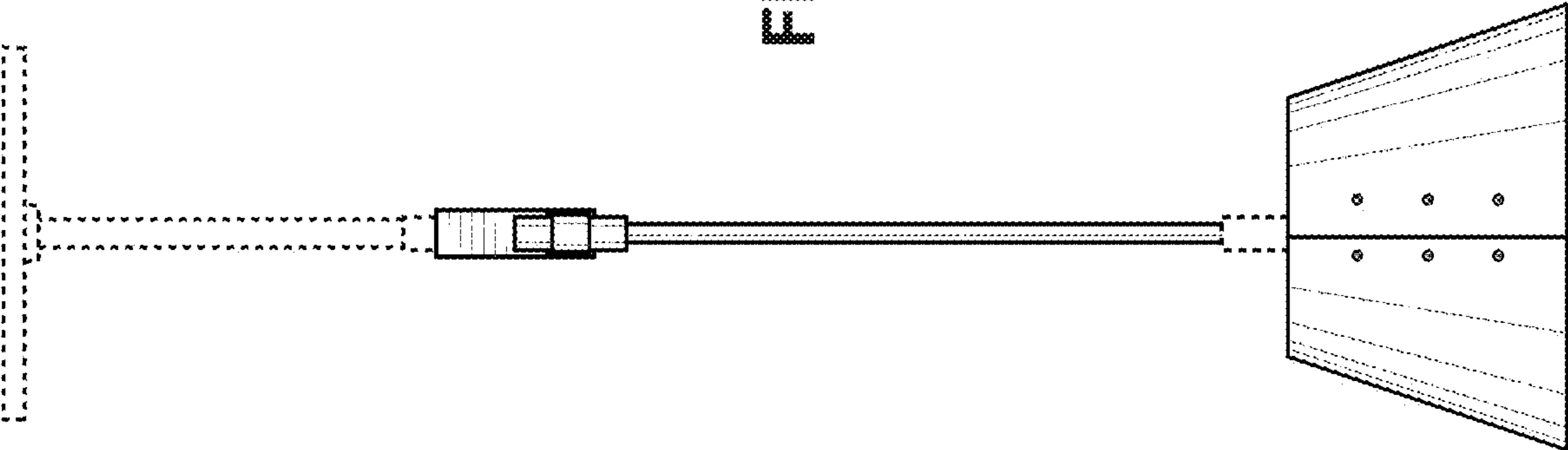
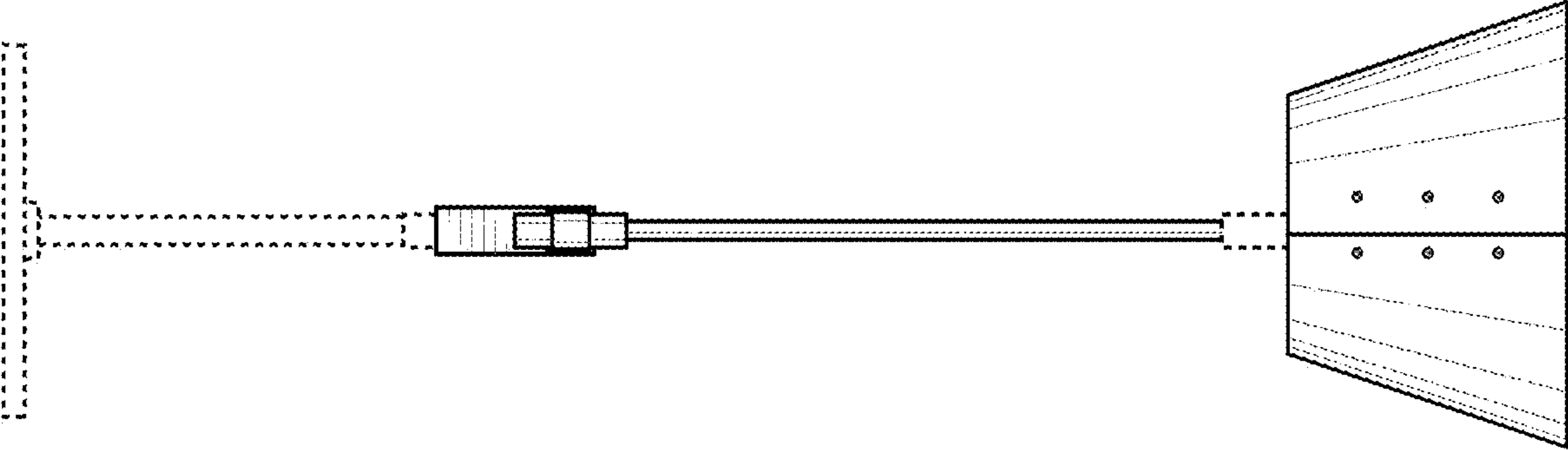


FIG. 6



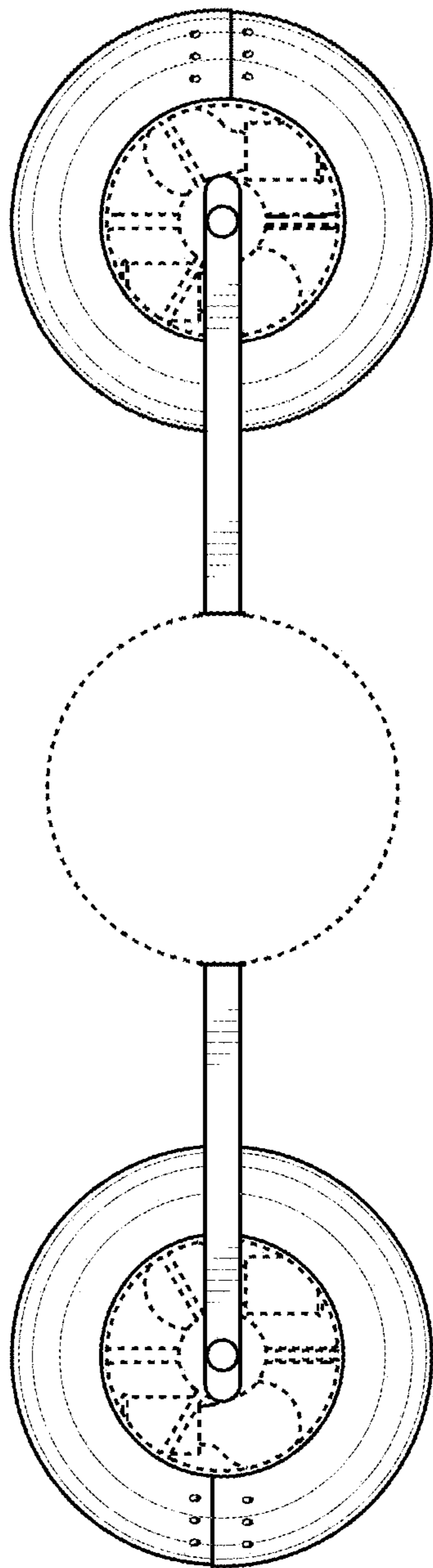


FIG. 7

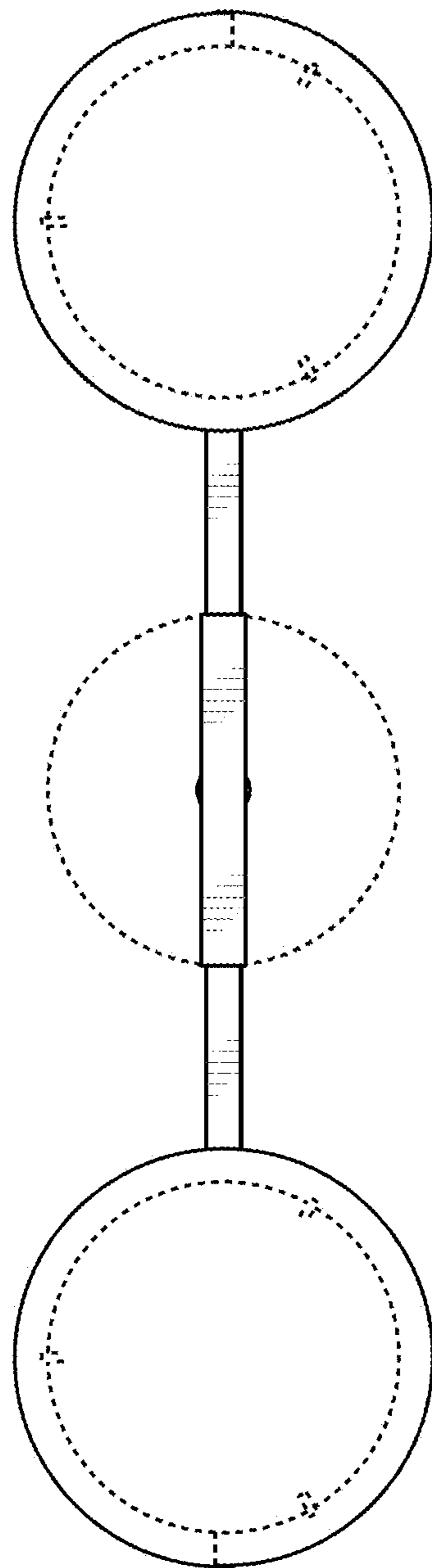


FIG. 8