



US00D950825S

(12) **United States Design Patent**  
**Hoshi et al.**

(10) **Patent No.:** **US D950,825 S**  
(45) **Date of Patent:** **\*\* May 3, 2022**

(54) **REFLECTOR FOR DOWNLIGHT**  
(71) Applicant: **Mitsubishi Electric Corporation,**  
Tokyo (JP)  
(72) Inventors: **Masaaki Hoshi,** Tokyo (JP); **Toshihisa**  
**Ogura,** Tokyo (JP)  
(73) Assignee: **Mitsubishi Electric Corporation,**  
Tokyo (JP)

D381,111 S *	7/1997	Lecluze	.....	D26/118
D381,454 S *	7/1997	Lecluze	.....	D26/118
D397,490 S *	8/1998	Lecluze	.....	D26/118
D399,590 S *	10/1998	Lecluze	.....	D26/118
D488,252 S *	4/2004	Benghozi	.....	D26/118
D599,951 S *	9/2009	Pickard	.....	D26/138
D653,799 S *	2/2012	Baker	.....	D26/138
D671,668 S *	11/2012	Rowlette, Jr.	.....	D26/74
D859,732 S *	9/2019	Robinson	.....	D26/138
D924,824 S *	7/2021	Kouzuma	.....	D13/184
2016/0091182 A1 *	3/2016	Bardot	.....	F21V 21/044 362/365

(\*\*) Term: **15 Years**

\* cited by examiner

(21) Appl. No.: **29/755,406**

Primary Examiner — Angela J Lee

(22) Filed: **Oct. 20, 2020**

(74) Attorney, Agent, or Firm — Studebaker & Brackett  
PC

(30) **Foreign Application Priority Data**

Jun. 23, 2020 (JP) ..... 2020-012513 D

(51) **LOC (13) Cl.** ..... **06-05**

(52) **U.S. Cl.**  
USPC ..... **D26/74**

(58) **Field of Classification Search**  
USPC ..... D26/74, 72, 75, 76, 77, 78, 85, 88, 89,  
D26/118, 138, 141; 362/364, 365, 373,  
362/145, 146, 147, 148, 150, 153, 153.1,  
362/294, 296.01, 296.07, 296.08  
CPC ..... F21V 29/2262; F21V 7/06; F21V 21/044;  
F21V 21/047; F21V 29/2212; F21V  
29/2225; F21V 29/2256; F21V 29/225;  
F21V 29/2268; F21Y 2111/002; F21S  
8/02; F21S 8/026  
See application file for complete search history.

(56) **References Cited**

**U.S. PATENT DOCUMENTS**

D370,550 S *	6/1996	Lecluze	.....	D26/118
D380,852 S *	7/1997	Lecluze	.....	D26/118

(57) **CLAIM**

The ornamental design for a reflector for downlight, as shown and described.

**DESCRIPTION**

FIG. 1 is a front, top and right side perspective view of a reflector for downlight, showing our new design;  
FIG. 2 is a bottom, rear and left side perspective view thereof;  
FIG. 3 is a front view thereof;  
FIG. 4 is a rear view thereof;  
FIG. 5 is a right side view thereof;  
FIG. 6 is a top view thereof; and,  
FIG. 7 is a bottom view thereof.  
The parts shown in the broken lines do not form part of the claimed design.

**1 Claim, 7 Drawing Sheets**

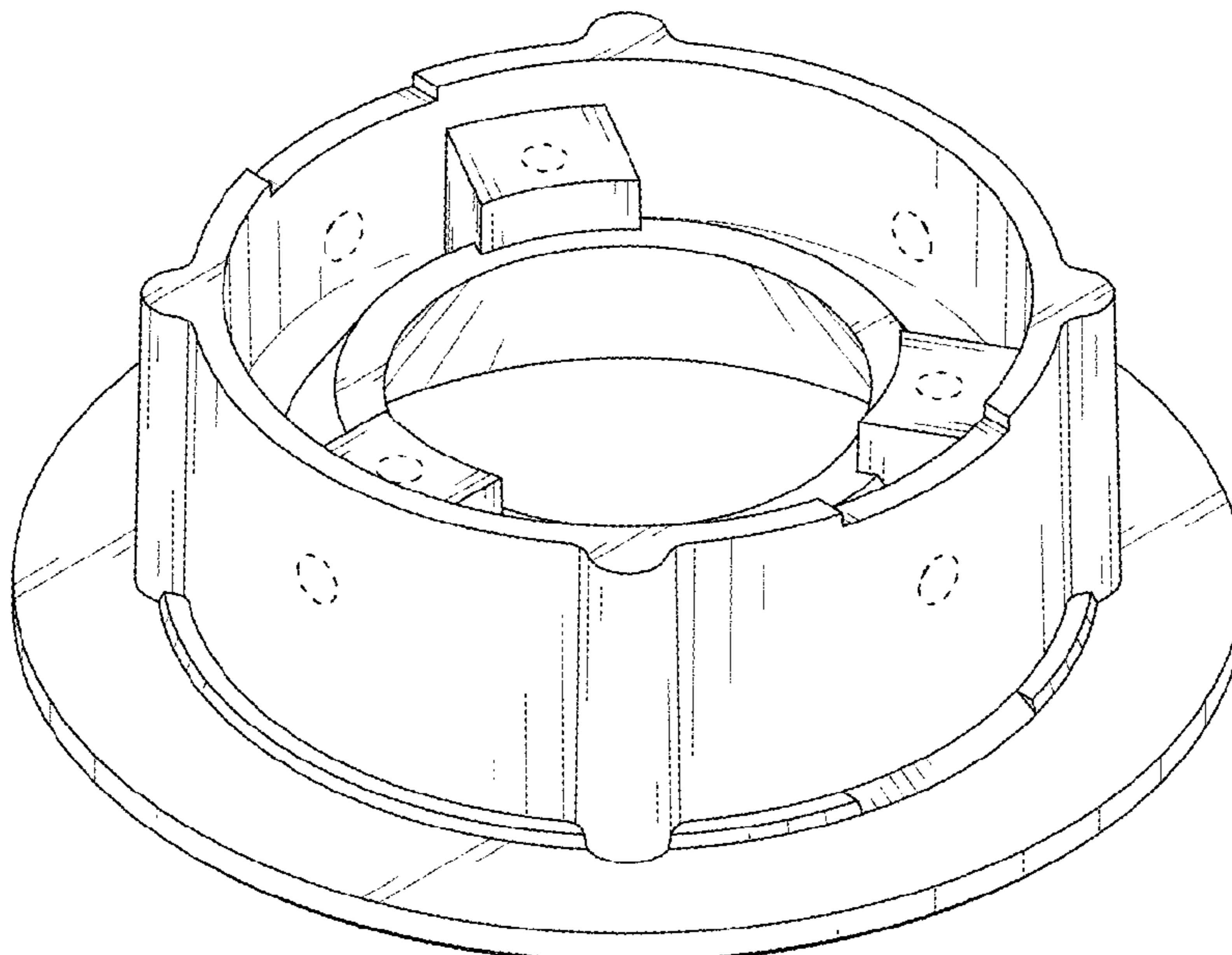


Fig.1

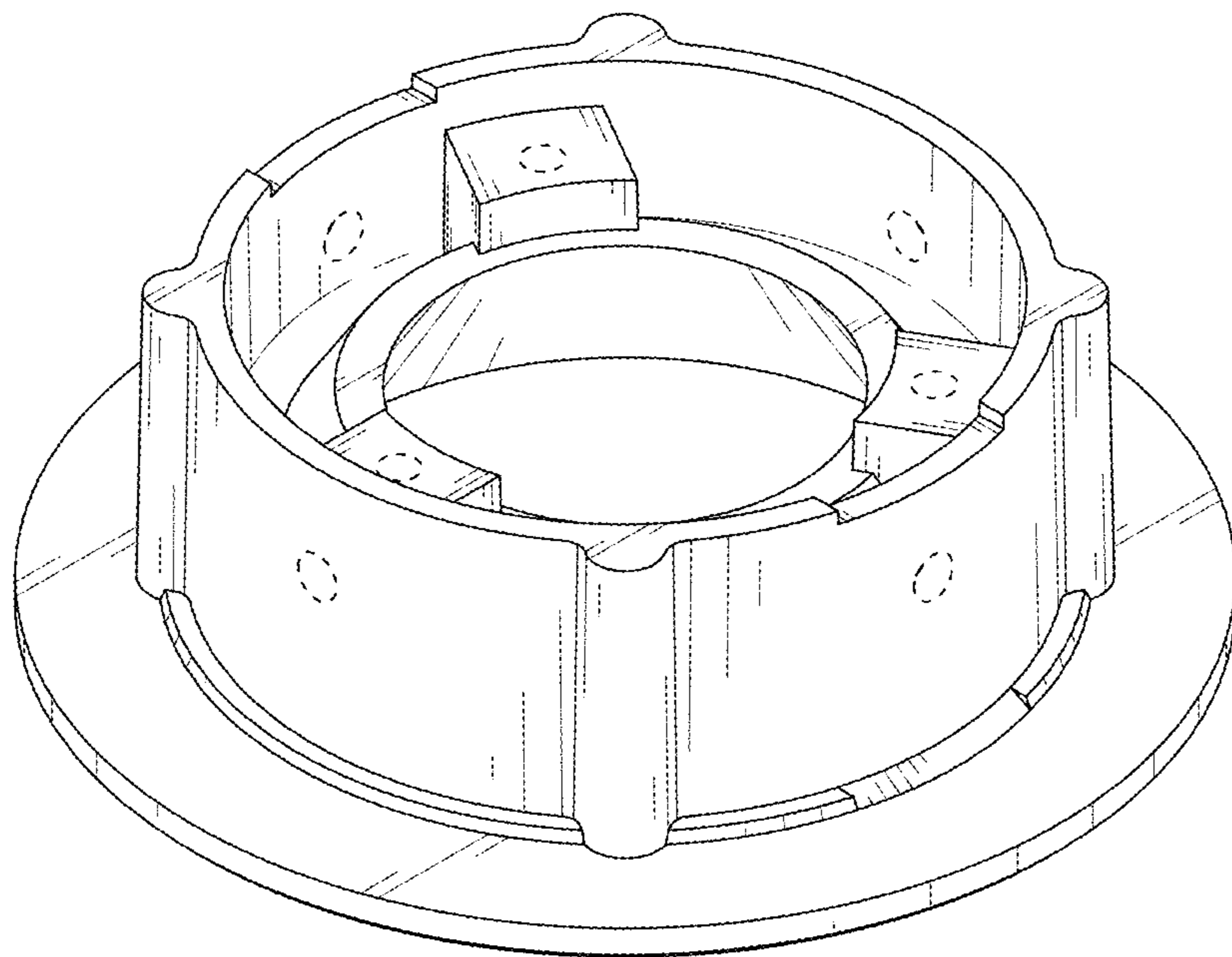


Fig.2

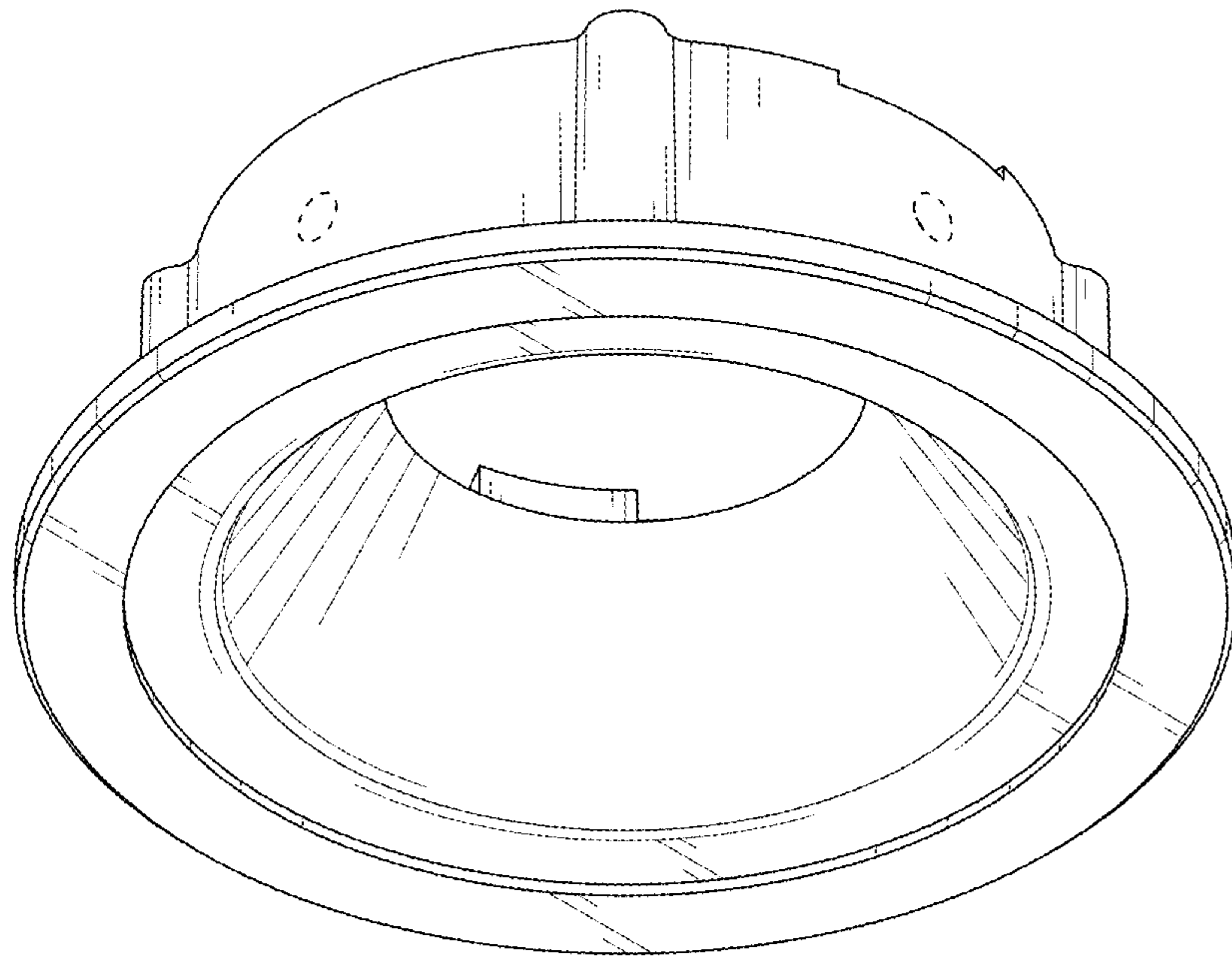


Fig.3

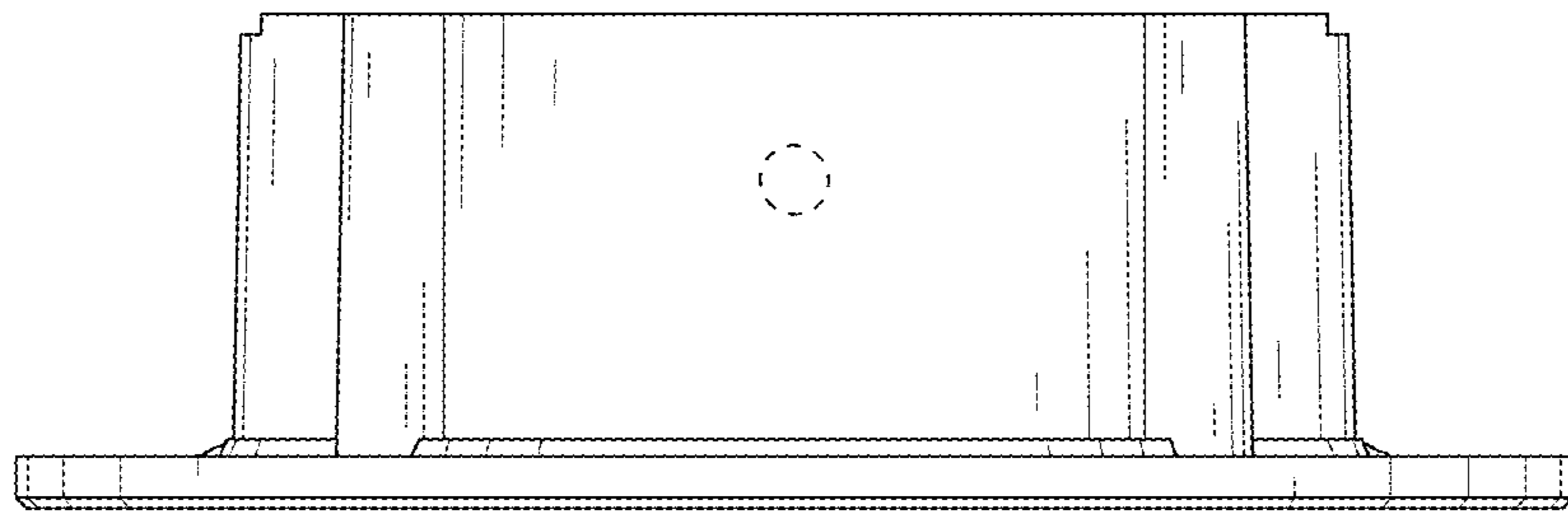


Fig.4

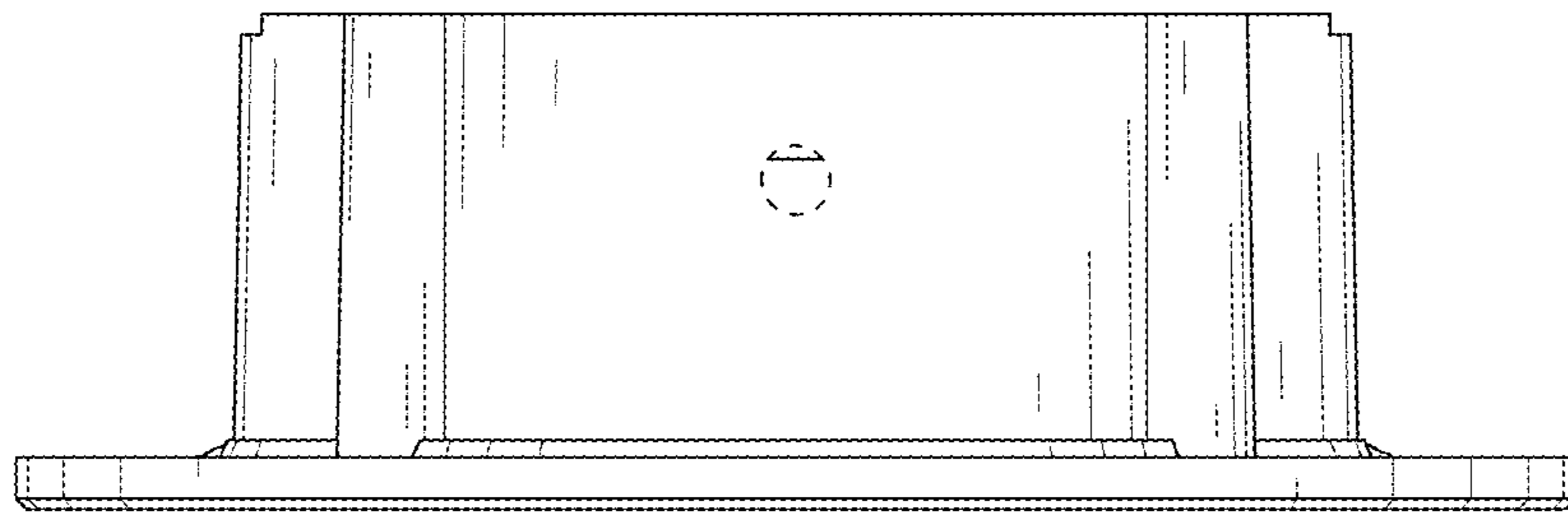


Fig.5

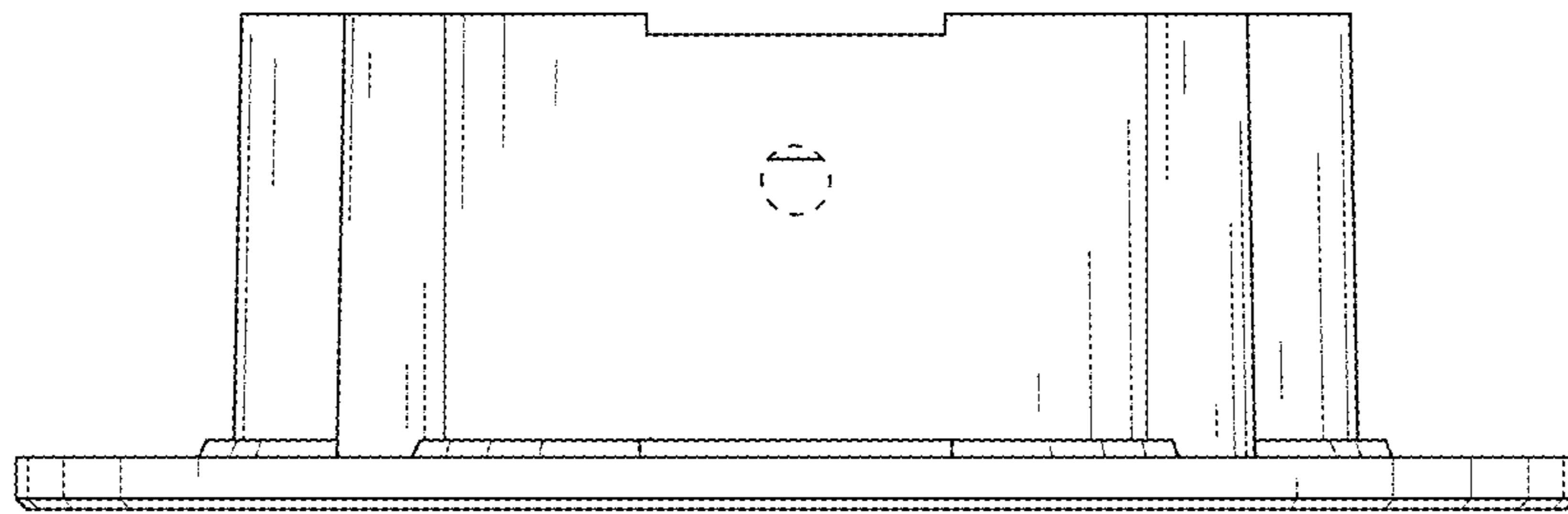


Fig.6

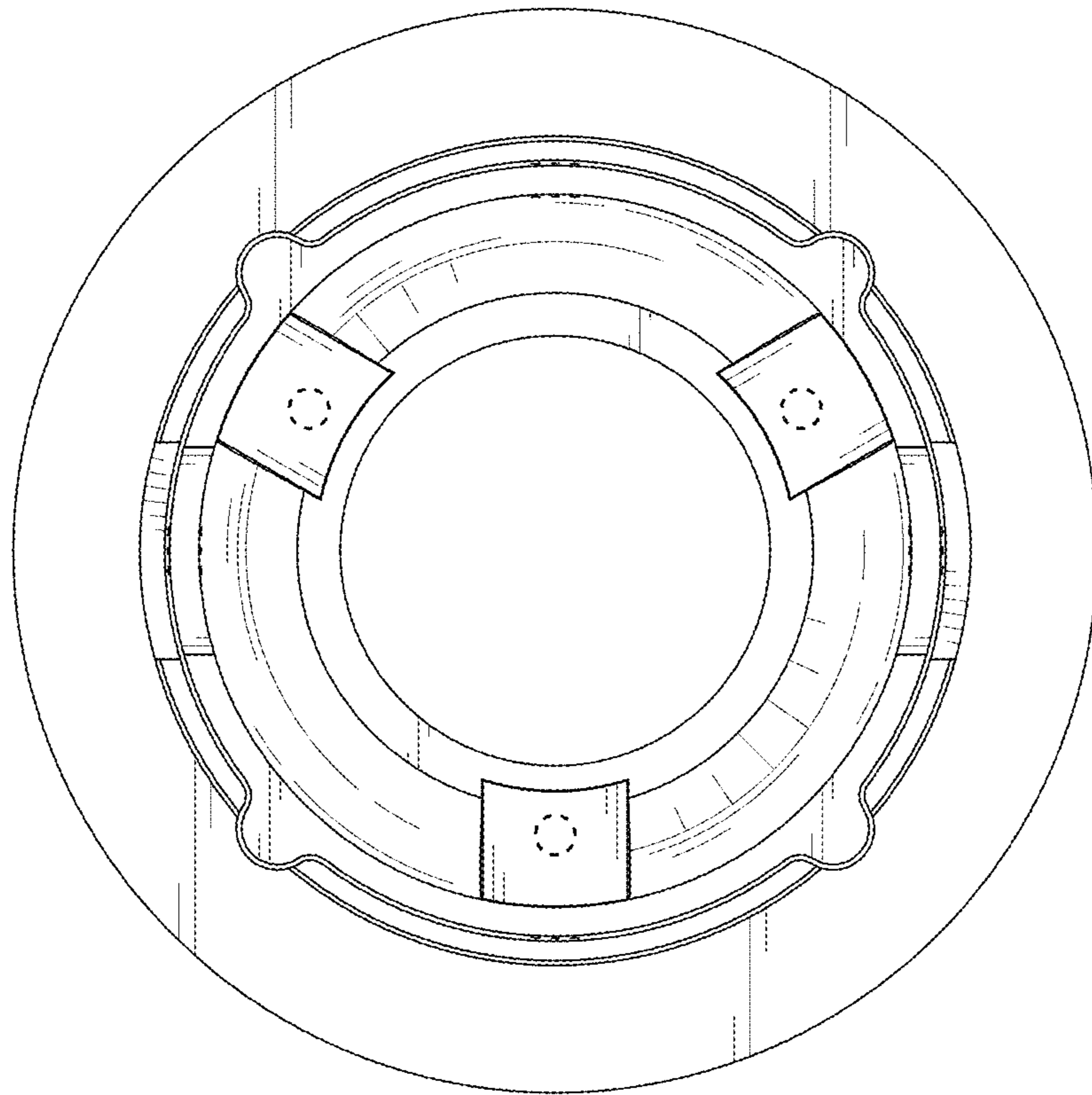




Fig.7

