



US00D950824S

(12) **United States Design Patent**
Cohen

(10) **Patent No.:** **US D950,824 S**

(45) **Date of Patent:** **** May 3, 2022**

(54) **INTEGRATED LIGHTING MODULE**

(71) Applicant: **Brandon Cohen**, Vernon, CA (US)

(72) Inventor: **Brandon Cohen**, Vernon, CA (US)

(**) Term: **15 Years**

(21) Appl. No.: **29/700,581**

(22) Filed: **Aug. 2, 2019**

(51) **LOC (13) Cl.** **26-05**

(52) **U.S. Cl.**
USPC **D26/74**

(58) **Field of Classification Search**

USPC D26/74, 72, 75, 76, 77, 78, 85, 88, 89,
D26/118, 138, 141; 362/364, 365, 373,
362/145, 146, 147, 148, 150, 153, 153.1,
362/294, 296.01, 296.07, 296.08
CPC F21V 29/2262; F21V 7/06; F21V 21/044;
F21V 21/047; F21V 29/2212; F21V
29/2225; F21V 29/2256; F21V 29/225;
F21V 29/2268; F21Y 2111/002; F21S
8/02; F21S 8/026

See application file for complete search history.

(56) **References Cited**

U.S. PATENT DOCUMENTS

1,133,535 A	3/1915	Cain
1,471,340 A	10/1923	Knight
1,856,356 A	5/1932	Owen
2,352,913 A	7/1944	Parker
2,758,810 A	8/1956	Good
2,802,933 A	8/1957	Broadwin
3,104,087 A	9/1963	Budnick
3,773,968 A	11/1973	Copp
3,913,773 A	10/1975	Copp
4,880,128 A	11/1989	Jorgensen
4,919,292 A	4/1990	Hsu
5,303,894 A	4/1994	Deschamps
5,420,376 A	5/1995	Rajecki
5,957,573 A	9/1999	Wedekind

6,521,833 B1	2/2003	DeFreitas	
6,967,284 B1	11/2005	Gretz	
D606,696 S	12/2009	Chen	
D611,650 S *	3/2010	Broekhoff D26/134
7,784,754 B2	8/2010	Nevers	
7,857,275 B2	12/2010	de la Borbolla	
7,950,832 B2	5/2011	Tanaka	

(Continued)

FOREIGN PATENT DOCUMENTS

EP	3521688 A1	7/2019
WO	WO2010051985 A2	5/2010

(Continued)

OTHER PUBLICATIONS

US 10,816,169 B1, 10/2020, Danesh (withdrawn)
(Continued)

Primary Examiner — Angela J Lee
(74) *Attorney, Agent, or Firm* — Eric Kelly

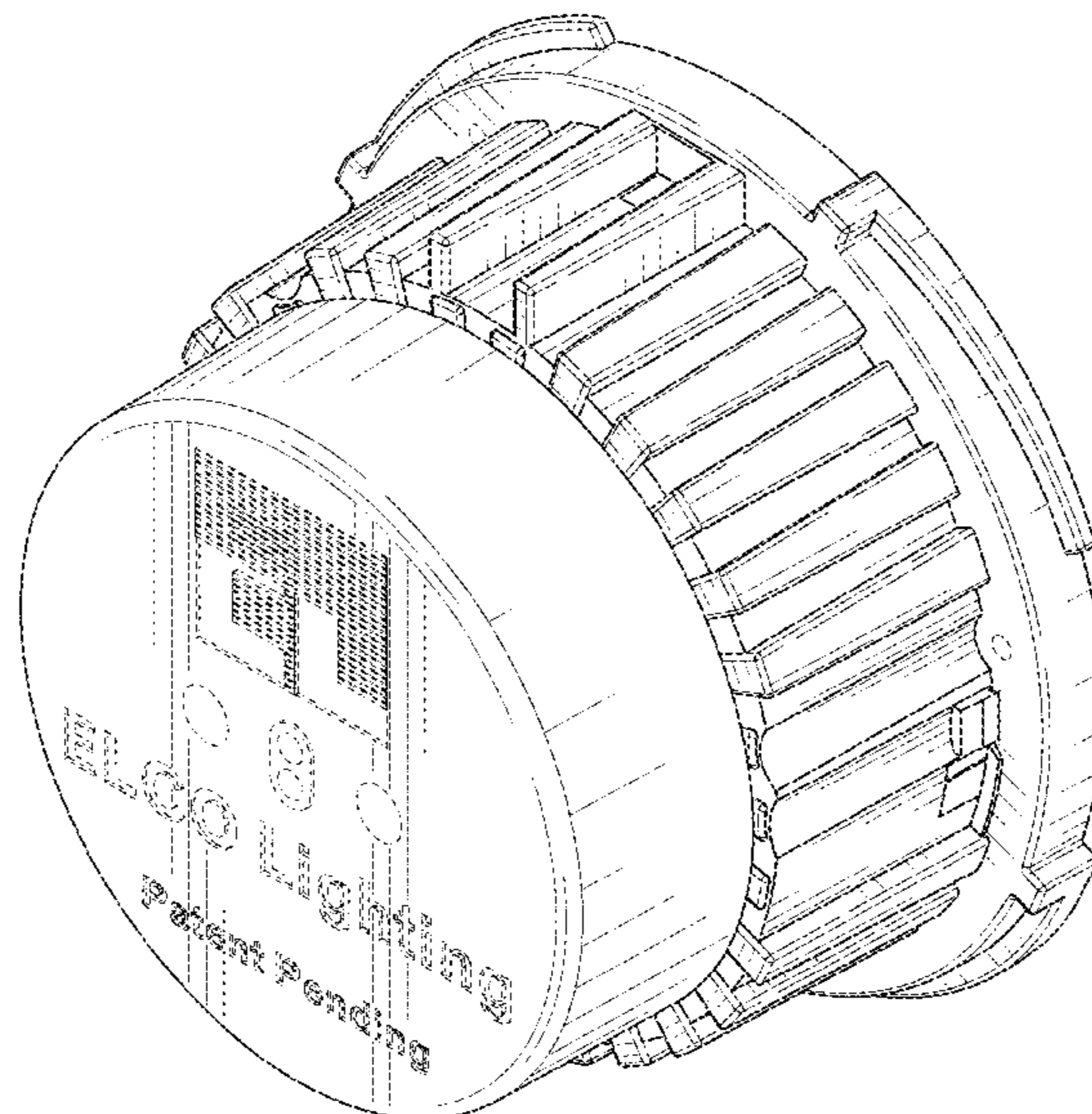
(57) **CLAIM**

The ornamental design for an integrated lighting module, as shown and described.

DESCRIPTION

FIG. 1 illustrates a top front left perspective view of a new and ornamental integrated lighting module according to a first embodiment;
FIG. 2 illustrates a front view thereof;
FIG. 3 illustrates a back (rear) view thereof;
FIG. 4 illustrates a right-side view thereof;
FIG. 5 illustrates a left-side view thereof;
FIG. 6 illustrates a top view thereof;
FIG. 7 illustrates a bottom view thereof; and,
FIG. 8 illustrates a bottom perspective view thereof.
Broken lines in any of included figures are for illustrative purposes only and form no part of the claimed design.

1 Claim, 8 Drawing Sheets



(56)

References Cited

U.S. PATENT DOCUMENTS

D640,819 S 6/2011 Pan
 D656,263 S 3/2012 Ogawa
 8,235,549 B2 8/2012 Gingrich, III
 D668,372 S 10/2012 Renshaw
 8,322,897 B2 12/2012 Blincoe
 D682,459 S 5/2013 Gordin
 8,545,064 B2 10/2013 Blincoe
 D694,456 S 11/2013 Rowlette, Jr
 D700,387 S * 2/2014 Snell D26/74
 D708,381 S 7/2014 Rashidi
 8,845,144 B1 9/2014 Davis
 D714,989 S 10/2014 Rowlette, Jr
 8,926,133 B2 1/2015 Booth
 D726,949 S 4/2015 Redfern
 9,039,254 B2 5/2015 Danesh
 D734,525 S 7/2015 Gordin
 9,151,457 B2 10/2015 Pickard
 9,404,639 B2 8/2016 Bailey
 9,523,493 B2 12/2016 Chen
 D777,967 S 1/2017 Redfern
 D779,100 S 2/2017 Redfern
 9,581,302 B2 2/2017 Danesh
 9,605,842 B1 3/2017 Davis
 D790,102 S 6/2017 Guzzini
 9,673,597 B2 6/2017 Lee
 9,696,021 B2 7/2017 Wronski
 9,797,562 B2 10/2017 Dabiet
 9,854,642 B2 12/2017 Kashani
 9,890,942 B2 2/2018 Lin
 9,945,548 B2 4/2018 Williams
 9,964,266 B2 5/2018 Danesh
 D820,494 S 6/2018 Cohen
 10,072,805 B2 9/2018 Bailey
 D832,218 S 10/2018 Wronski
 D833,977 S 11/2018 Danesh
 10,139,059 B2 11/2018 Danesh
 10,244,607 B1 3/2019 Kashani
 D847,414 S 4/2019 Danesh
 D847,415 S 4/2019 Danesh
 10,247,390 B1 4/2019 Kopitzke
 D848,375 S 5/2019 Danesh
 D851,046 S 6/2019 Peng
 10,378,738 B1 8/2019 Davis
 10,408,395 B2 9/2019 Danesh
 10,408,396 B2 9/2019 Wronski
 D864,877 S 10/2019 Danesh
 10,488,000 B2 11/2019 Danesh
 10,551,044 B2 2/2020 Peng
 10,563,850 B2 2/2020 Danesh
 D877,957 S * 3/2020 Kopitzke, IV D26/74
 10,591,120 B2 3/2020 Bailey
 10,609,785 B1 3/2020 Fardadi
 10,616,968 B2 4/2020 Wang
 10,663,127 B2 5/2020 Danesh
 10,663,153 B2 5/2020 Nikooyan
 10,753,558 B2 8/2020 Danesh
 10,805,997 B2 10/2020 Wang
 10,816,148 B2 10/2020 Danesh
 D901,398 S 11/2020 Danesh
 D902,871 S 11/2020 Danesh
 D903,605 S 12/2020 Danesh
 D905,327 S 12/2020 Williams
 D907,273 S * 1/2021 Wang D26/74
 D907,284 S 1/2021 Danesh
 D910,223 S * 2/2021 Cohen D26/74
 10,975,570 B2 4/2021 Shen
 10,982,829 B2 4/2021 Danesh
 10,989,390 B2 4/2021 Lotfi
 11,022,259 B2 6/2021 Bailey
 11,028,982 B2 6/2021 Danesh
 11,047,538 B2 6/2021 Danesh
 D924,467 S 7/2021 Danesh
 D925,109 S 7/2021 Danesh
 11,060,705 B1 7/2021 Danesh
 11,067,231 B2 7/2021 Lotfi

11,085,597 B2 8/2021 Danesh
 11,118,768 B2 9/2021 Danesh
 2013/0050994 A1 * 2/2013 Pieper F21V 7/00
 362/147
 2013/0051012 A1 * 2/2013 Oehle F21V 17/12
 362/235
 2014/0254177 A1 9/2014 Danesh
 2015/0009676 A1 1/2015 Danesh
 2015/0233556 A1 8/2015 Danesh
 2015/0276185 A1 10/2015 Bailey
 2016/0312987 A1 10/2016 Danesh
 2016/0348860 A1 12/2016 Bailey
 2016/0348861 A1 * 12/2016 Bailey F21V 23/002
 2017/0005460 A1 1/2017 Lee
 2017/0045213 A1 2/2017 Williams
 2017/0138576 A1 5/2017 Peng
 2017/0167672 A1 6/2017 Stauner
 2017/0167699 A1 6/2017 Schubert
 2017/0290129 A1 10/2017 Kashani
 2018/0231197 A1 8/2018 Danesh
 2018/0372284 A1 12/2018 Danesh
 2019/0049080 A1 2/2019 Danesh
 2019/0063701 A1 2/2019 Lotfi
 2019/0093836 A1 3/2019 Danesh
 2019/0394849 A1 12/2019 Wang
 2020/0056752 A1 2/2020 Danesh
 2020/0116340 A1 4/2020 Nikooyan
 2020/0158302 A1 5/2020 Danesh
 2020/0232624 A1 7/2020 Lotfi
 2020/0236755 A1 7/2020 Wang
 2020/0291652 A1 9/2020 Shen
 2020/0348000 A1 11/2020 Bailey
 2020/0386375 A1 12/2020 Danesh
 2020/0393118 A1 12/2020 Danesh
 2021/0010647 A1 1/2021 Danesh
 2021/0010663 A1 1/2021 Nikooyan
 2021/0033268 A1 2/2021 Danesh
 2021/0041070 A1 2/2021 Danesh
 2021/0071836 A1 3/2021 Danesh
 2021/0080084 A1 3/2021 Danesh
 2021/0262650 A1 8/2021 Danesh

FOREIGN PATENT DOCUMENTS

WO WO2018237294 A2 12/2018
 WO WO2018237294 A3 12/2018
 WO WO2019046310 A1 3/2019
 WO WO2019133669 A1 7/2019
 WO WO2019222259 A1 11/2019
 WO WO2019241198 A1 12/2019
 WO WO2021051101 A1 3/2021

OTHER PUBLICATIONS

US 10,969,069 B2, 04/2021, Danesh (withdrawn)
 IMTRA Tide PowerLED Light Fixture See: <https://www.imtra.com/1806fa8d-4593-40f4-bbf0-f9a833e92148/lighting-light-fixtures-detail.htm> Publicly available at least as early as 2012.
 DMF DRD2 Product Publicly available at least as early as Sep. 6, 2018 Website: <https://www.dmflighting.com/product/drd2/>.
 DMF DRD4 Product Publicly available at least as early as Sep. 6, 2018 Website: <https://www.dmflighting.com/product/drd4/>.
 ELCO E247 Product Publicly available at least as early as Sep. 6, 2018 See attached concurrently filed NPL document with two product images of this ELCO E247 Product.
 Soraa LED Optical Light Engine See: <https://res.cloudinary.com/soraa/image/upload/v1516986148/resources/misc/ole-more-info-pdf.pdf>.
 MTRA Tide PowerLED Light Fixture See: <https://www.imtra.com/1806fa8d-4593-40f4-bbf0-f9a833e92148/lighting-light-fixtures-detail.htm> Publicly available at least as early as 2012.
 ELCO 4" Round LED Reflector Insert Publicly available at least as early as Mar. 23, 2021 Website: <https://elcolighting.com/products/4-round-led-reflector-insert>.

(56)

References Cited

OTHER PUBLICATIONS

ELCO 4" Five-Color Temperature Switch LED Reflector Inserts Publicly available at least as early as Mar. 23, 2021 Website: <https://elcolighting.com/node/1432026>.

MaxLite Publicly available at least as early as Mar. 23, 2021 Website: <https://www.maxlite.com/news-and-events/2021/02/05/maxlite-introduces-canless-commercial-downlights-with-field-selectable-wattages-and-ccts/> And <https://www.maxlite.com/products/universal-downlights-wattage-color-selectable/>.

Soraa Vivid MR16—GU10; <https://www.soraa.com/products/19-MR16-GU10.php> (last visited Nov. 9, 2021).

NORA products; <https://noralighting.com/product/niob-2rndc/>; <https://noralighting.com/product/nio-4rph/>; and <https://noralighting.com/product/niob-1rng/> (last visited on Oct. 8, 2020).

* cited by examiner

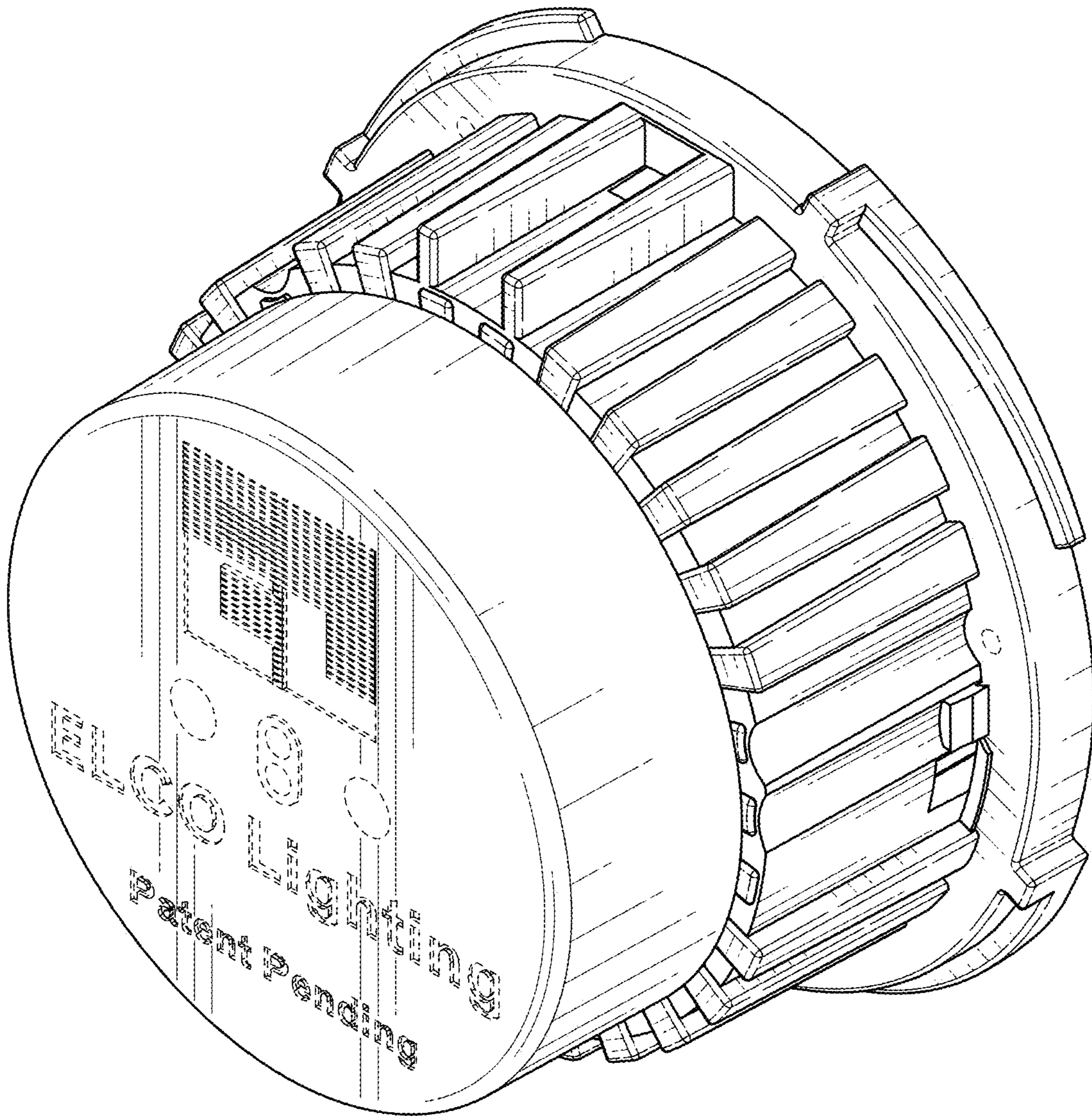


FIG. 1



FIG. 2



FIG. 3

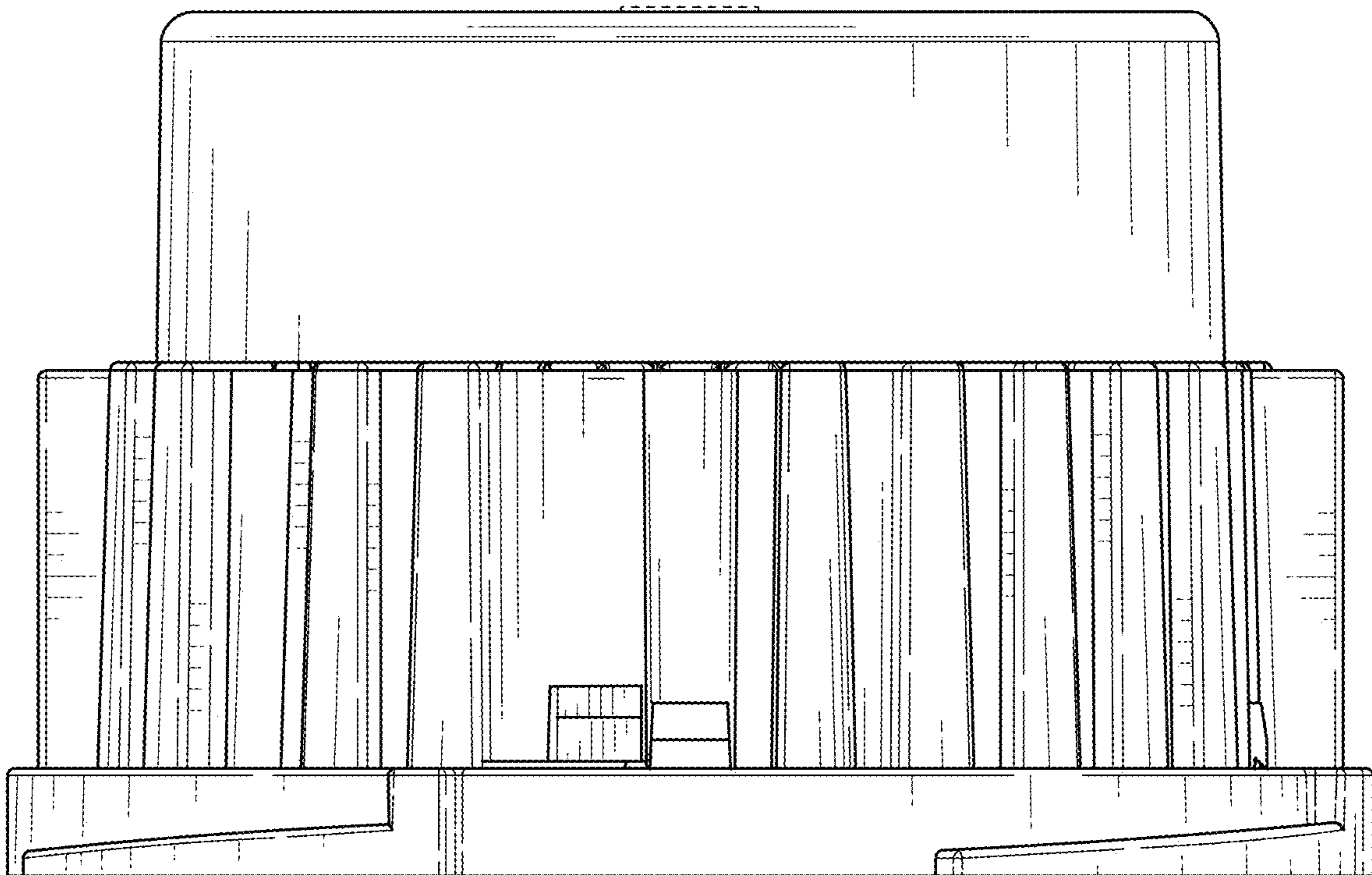


FIG. 4



FIG. 5

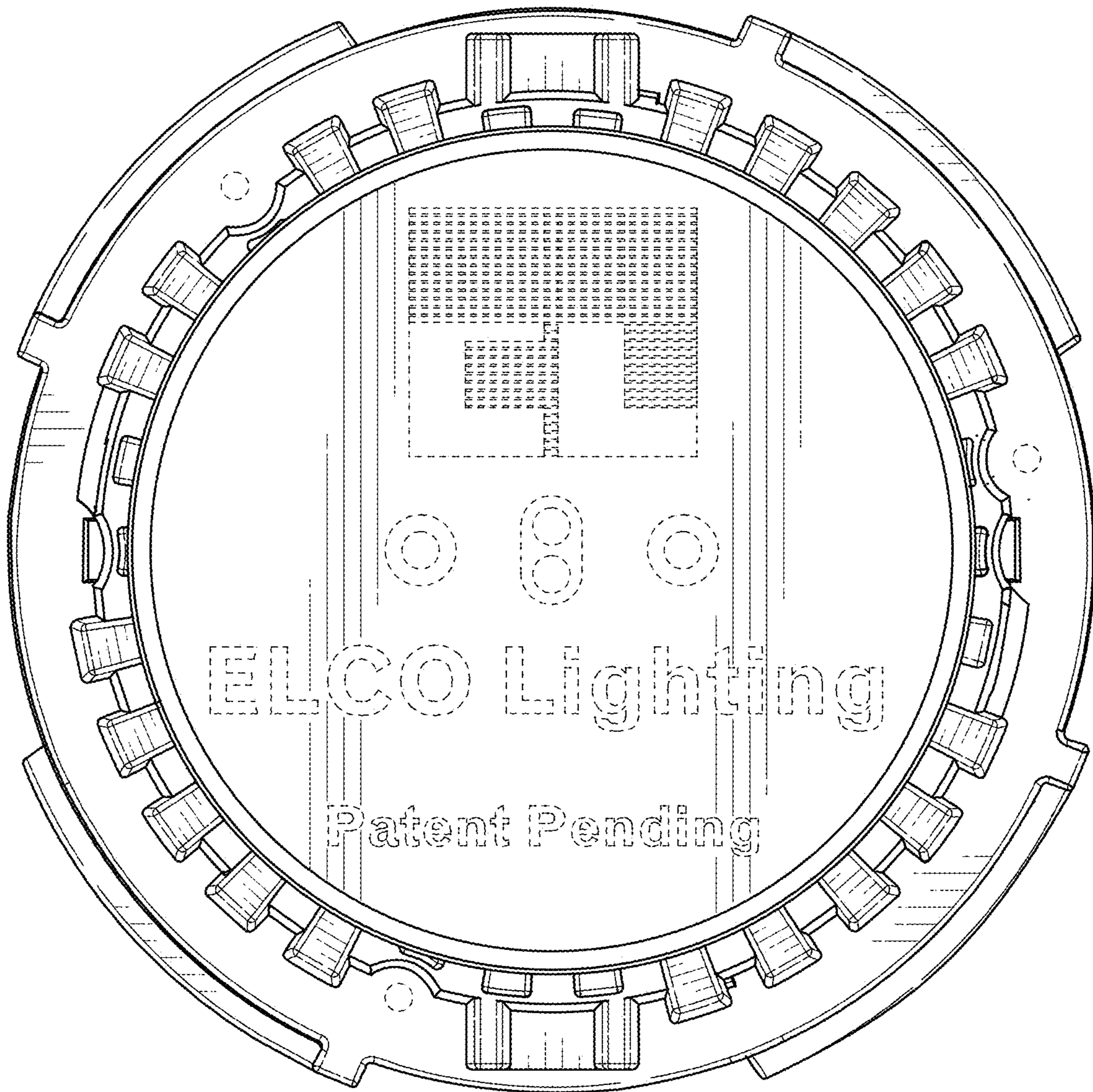


FIG. 6

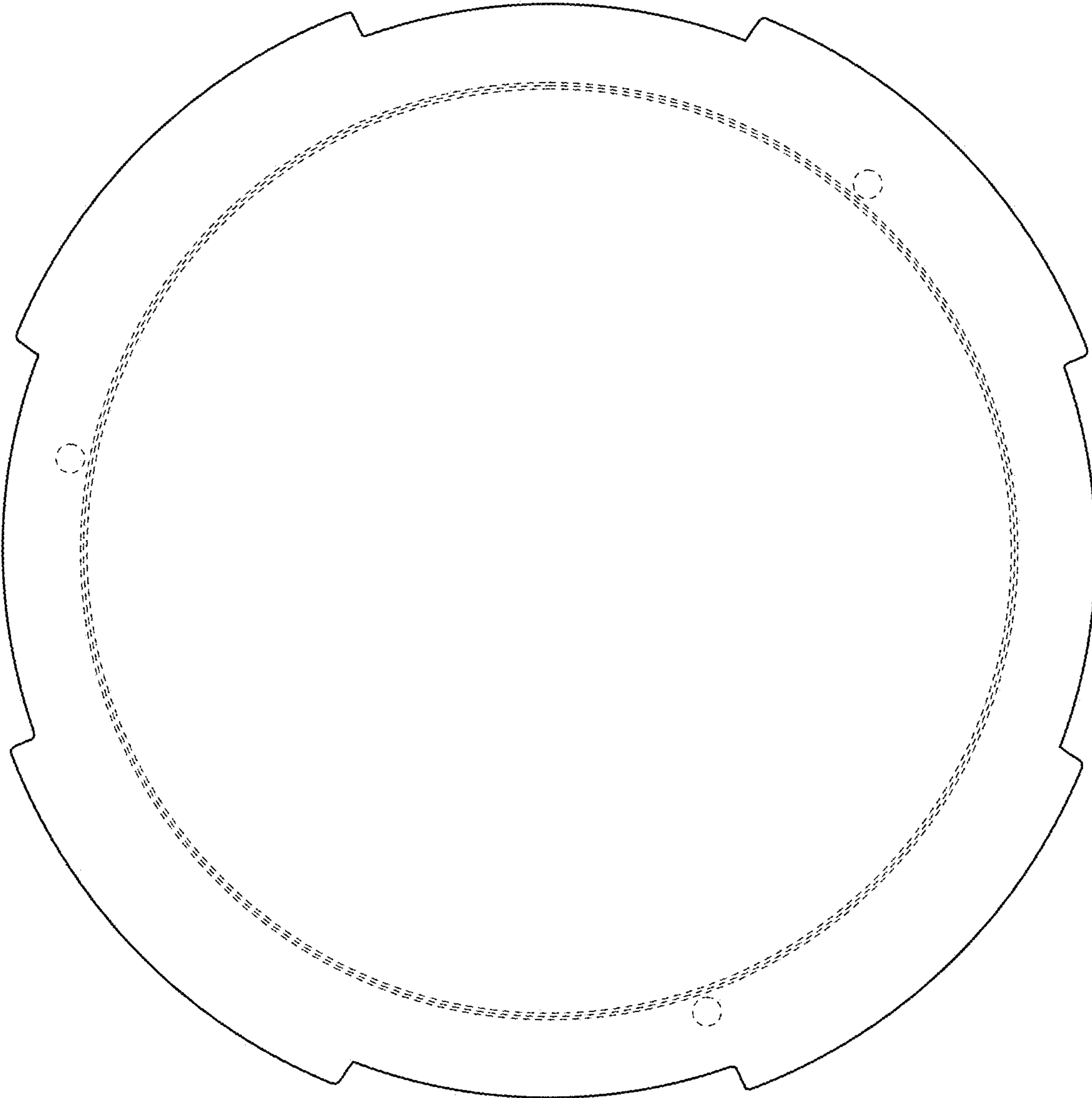


FIG. 7

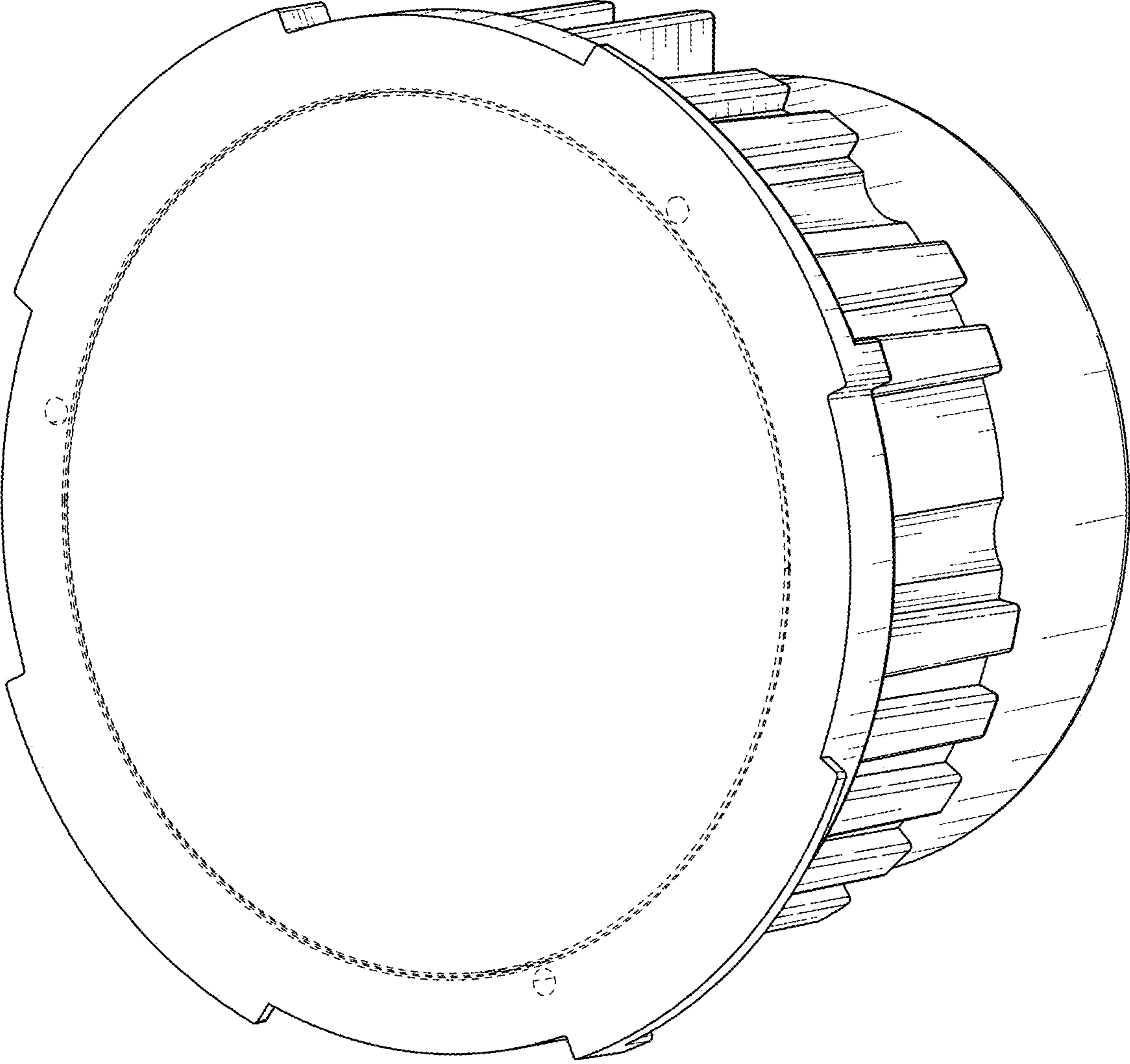


FIG. 8