

US00D950822S

(12) **United States Design Patent**
Hollinger

(10) **Patent No.:** **US D950,822 S**

(45) **Date of Patent:** **** May 3, 2022**

(54) **SWIVEL DISK LIGHT**

(71) Applicant: **E. MISHAN & SONS, INC.**, New York, NY (US)

(72) Inventor: **Fred Hollinger**, Monroe Township, NJ (US)

(73) Assignee: **E. Mishan & Sons, Inc.**, New York, NY (US)

(**) Term: **15 Years**

(21) Appl. No.: **29/778,259**

(22) Filed: **Apr. 12, 2021**

(51) **LOC (13) Cl.** **25-03**

(52) **U.S. Cl.**
USPC **D26/67; D26/63**

(58) **Field of Classification Search**
USPC D26/24, 37-51, 61, 63, 67-68, 93, 113, D26/118-119

(Continued)

(56) **References Cited**

U.S. PATENT DOCUMENTS

4,835,664 A 5/1989 Wen
5,055,984 A 10/1991 Hung et al.

(Continued)

FOREIGN PATENT DOCUMENTS

CN 200830247356.0 11/2009
CN 202915232 U 5/2013

(Continued)

OTHER PUBLICATIONS

Sunco Lighting. By Sunco. Dated Jul. 9, 2019. Found online [Oct. 18, 2021]. https://www.amazon.com/Sunco-Lighting-Pathway-Landscape-Weatherproof/dp/B07V49K5MC/ref=sr_1_243?crd=2U3Y6DCPQTDJU&dchild=1&keywords=solar+ground+lights&qid=1634239756&srefix=solar+groun%2Caps%2C186&sr=8-243 (Year: 2019).*

(Continued)

Primary Examiner — Marissa J Cash
Assistant Examiner — William B Melliar

(74) *Attorney, Agent, or Firm* — Notaro, Michalos & Zaccaria P.C.

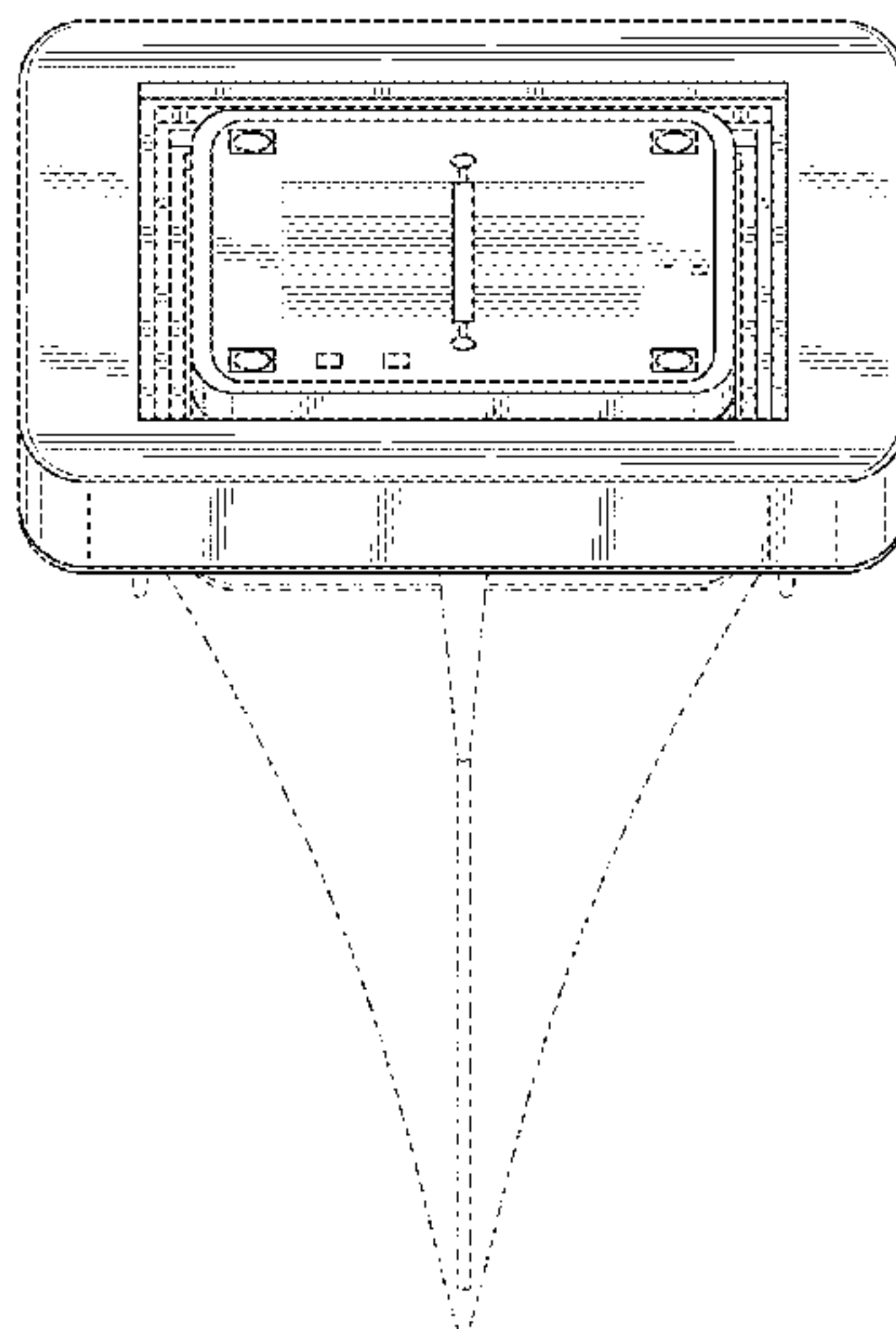
(57) **CLAIM**

The ornamental design for a swivel disk light, as shown and described.

DESCRIPTION

FIG. 1 is a front, top perspective view of a swivel disk light showing my design therefor;
FIG. 2 is a bottom perspective view thereof;
FIG. 3 is a front elevational view thereof;
FIG. 4 is a rear elevational view thereof;
FIG. 5 is a right side view thereof;
FIG. 6 is a left side view thereof;
FIG. 7 is a top plan view thereof;
FIG. 8 is a bottom plan view thereof;
FIG. 9 is a front, top perspective view of a second embodiment showing the disk in a rotated orientation;
FIG. 10 is a bottom perspective view of the second embodiment showing the disk in an alternative rotated orientation;
FIG. 11 is a front elevational view of the second embodiment showing the disk in a rotated orientation;
FIG. 12 is a rear elevational view of the second embodiment showing the disk in a rotated orientation;
FIG. 13 is a right side view of the second embodiment showing the disk in a rotated orientation;
FIG. 14 is a left side view of the second embodiment showing the disk in a rotated orientation;
FIG. 15 is a top plan view of the second embodiment showing the disk in a rotated orientation; and,
FIG. 16 is a bottom plan view of the second embodiment showing the disk in an alternative rotated orientation.
The broken lines shown in the drawings depict portions of the swivel disk light that form no part of the claimed design.

1 Claim, 16 Drawing Sheets



(58) **Field of Classification Search**
 CPC Y02E 10/52; Y02E 10/50; Y02E 70/30;
 F21S 9/037; F21S 9/035; F21S 9/03
 See application file for complete search history.

(56) **References Cited**

U.S. PATENT DOCUMENTS

6,013,985	A	1/2000	Green et al.	
6,131,321	A	10/2000	Daigle, Jr.	
D438,322	S	2/2001	Skradski et al.	
D445,523	S	7/2001	Skradski et al.	
D450,150	S	11/2001	Skradski et al.	
D451,618	S	12/2001	Skradski et al.	
D451,619	S	12/2001	Skradski et al.	
6,339,188	B1	1/2002	Voelkner	
6,406,163	B1	6/2002	Yang	
D483,903	S	12/2003	Skradski et al.	
D483,904	S *	12/2003	Skradski	D26/118
6,729,742	B2	5/2004	Wismeth et al.	
D494,536	S	8/2004	Pu	
D517,717	S	3/2006	Sanoner	
D517,719	S	3/2006	Sanoner	
7,029,144	B2	4/2006	Fu	
7,172,307	B2	2/2007	Izardel	
7,196,477	B2	3/2007	Richmond	
D551,791	S	9/2007	Sanoner	
D555,278	S	11/2007	Sanoner	
D556,933	S	12/2007	Sanoner	
D574,104	S	7/2008	Sanoner	
7,429,827	B2	9/2008	Richmond	
7,503,669	B2	3/2009	Rizkin et al.	
7,588,349	B2	9/2009	Yen	
D603,080	S *	10/2009	Benensohn	D26/61
D605,326	S	12/2009	Sanoner	
D616,129	S	5/2010	Sanoner	
7,887,214	B2	2/2011	Chang et al.	
D642,722	S	8/2011	Oberpriller	
8,186,857	B2	5/2012	Porter	
8,203,285	B2	6/2012	Chen	
8,220,959	B2	7/2012	Rizkin et al.	
8,222,823	B2	7/2012	Hsu	
8,292,452	B2	10/2012	Ko	
8,348,452	B2	1/2013	Zheng	
8,362,700	B2	1/2013	Richmond	
8,454,208	B2	6/2013	Porter	
8,602,585	B1	12/2013	Lowe	
D698,061	S	1/2014	Burke	
8,632,234	B1	1/2014	Lowe	
8,664,866	B2	3/2014	Kay	
D710,532	S *	8/2014	Fletcher	D26/118
8,845,126	B1	9/2014	Martzall	
D743,079	S	11/2015	Adair	
9,175,821	B2	11/2015	Adair	
9,222,634	B2	12/2015	Zhu	
9,273,841	B2	3/2016	Philhower et al.	
9,335,013	B2	5/2016	Martzall	
D770,076	S	10/2016	Li et al.	
9,572,304	B2	2/2017	Harari	
9,657,909	B2	5/2017	Cohen	
D800,940	S	10/2017	Guzzini	
D841,873	S *	2/2019	Hollinger	D26/118
10,309,590	B2	6/2019	Hollinger	
D853,615	S *	7/2019	Ahrari	D26/67
D864,452	S *	10/2019	Wei	D26/67
D866,839	S *	11/2019	Yan	D26/67
D877,385	S *	3/2020	Gibson	D26/67
D890,401	S *	7/2020	Zeng	D26/68
D908,253	S *	1/2021	Hollinger	D26/24
D923,845	S *	6/2021	Kong	D26/63
D930,216	S *	9/2021	He	D26/67
2003/0137831	A1	7/2003	Lin	
2006/0012996	A1	1/2006	Tseng	

2006/0187656	A1	8/2006	Kuelbs et al.	
2007/0002561	A1	1/2007	Tesmer et al.	
2007/0121317	A1	5/2007	Huang et al.	
2007/0263381	A1	11/2007	Goldman et al.	
2009/0027900	A1	1/2009	Janos et al.	
2009/0059572	A1	3/2009	Wang	
2009/0129067	A1	5/2009	Fan	
2009/0196041	A1	8/2009	Joseph	
2011/0013384	A1	1/2011	Lu	
2011/0292643	A1	12/2011	Chen	
2011/0310597	A1	12/2011	Lu	
2013/0250559	A1	9/2013	Hawkins	
2016/0230972	A1	8/2016	Choi et al.	
2016/0334068	A1	11/2016	Katsaros	
2017/0040932	A1	2/2017	Lillywhite	
2017/0135226	A1	5/2017	Chen	
2017/0184260	A1	6/2017	Munoz Abogabir	
2019/0036359	A1	1/2019	Smith	
2019/0128486	A1 *	5/2019	Hollinger	F21S 9/037

FOREIGN PATENT DOCUMENTS

CN	201530557956.7	6/2016
CN	106764844	5/2017
EM	000380670-001	11/2005
EM	002733949-0041	8/2015
EM	004362432	9/2017
EM	004426237	11/2017
EM	004129617-0001	8/2018

OTHER PUBLICATIONS

Solar Ground Lights. By Chesbung. Dated Apr. 20, 2021. Found online [Oct. 18, 2021]. https://www.amazon.com/Solar-Ground-Lights-Waterproof-Driveway-Warm/dp/B092V4G4F3/ref=sr_1_24?crid=2U3Y6DCPQTDJU&dchild=1&keywords=solar+ground+lights&qid=1634239439&sprefix=solar+groun%2Caps%2C186&sr=8-24 (Year: 2021).*

<https://www.amazon.com/dp/B01KY78O8S>, “CST Lighting Solar Ground Light 4-Pack, for Garden Landscape Lighting, Pathway, Stairway”, Aug. 24, 2016.

<https://www.amazon.com/Powered-Waterproof-Landscape-Lighting-Driveway/dp/B07125KXLW/> “NUMARDA 4Pcs 4 LED Solar Powered Ground Lights Outdoor lamp Waterproof LED Solar Path Lights Garden Landscape Spike Lighting for Yard Driveway Lawn Pathway—White”, May 26, 2017.

<https://www.amazon.com/Powered-Outdoor-Waterproof-Landscape-Lighting/dp/B07BQY5M5H/>, “Hometom Solar Powered Ground Light Outdoor Lights Waterproof LED Solar Path Lights Garden Landscape Lighting—4 Pack”, Jun. 8, 2017.

<https://www.amazon.com/Powered-Alvivi-Outdoor-Waterproof-Driveway/dp/B073XLD3KN/>, “Solar Powered Ground Light, Alvivi Outdoor Waterproof Garden Pathway Lights with 4 LEDs, Walkway Lights for Home, Yard, Driveway, Lawn, 4 Pack (White)”, Jun. 24, 2017.

<https://www.amazon.com/Wenjuan-Buried-Ground-Outdoor-Decking/dp/B077Z4QT5L/>, “Wenjuan 8 LED Solar Power Buried Light Ground Lamp Outdoor Path Way Garden Decking”, Dec. 5, 2017.

<https://www.amazon.com/Underground-Rambling-Waterproof-Outdoor-Decking/dp/B078G56VLP/>, “Solar Underground Light, Rambling 8LED Power Buried Light Under Ground Lamp Waterproof Outdoor Path Way Garden Decking Auto On Off Switch Cool White”, Dec. 16, 2017.

<https://www.amazon.com/ONEVER-Lighting-Waterproof-Driveway-Pathway/dp/B078LW7ZLT/>, “8-LEDs Solar Power Ground Light, ONEVER Spike Lighting Built-in Light Sensor IPX4 Waterproof for Path Floor Yard Driveway Lawn Pathway (Pack of 4X)”, Dec. 24, 2017.

* cited by examiner

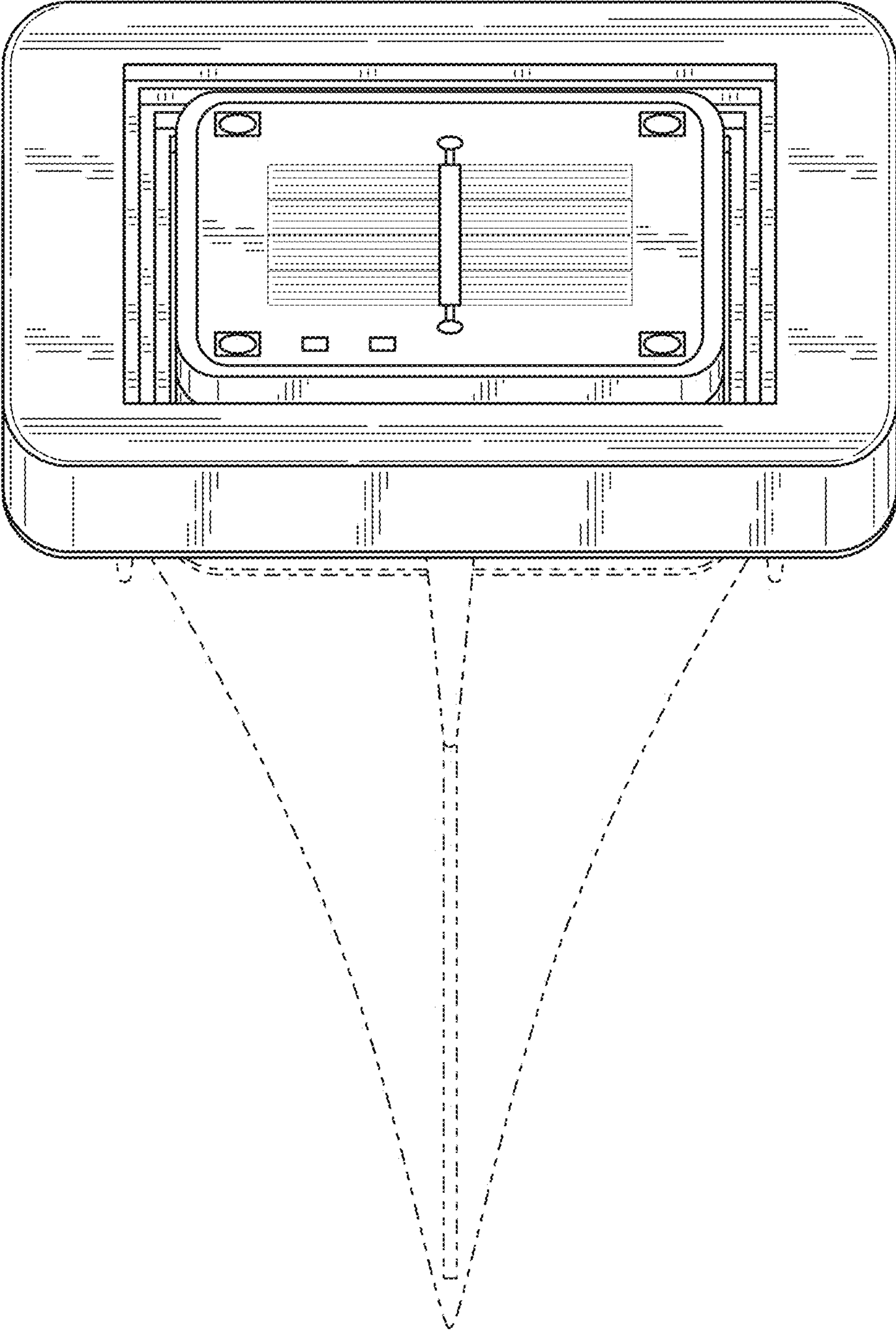


FIG. 1

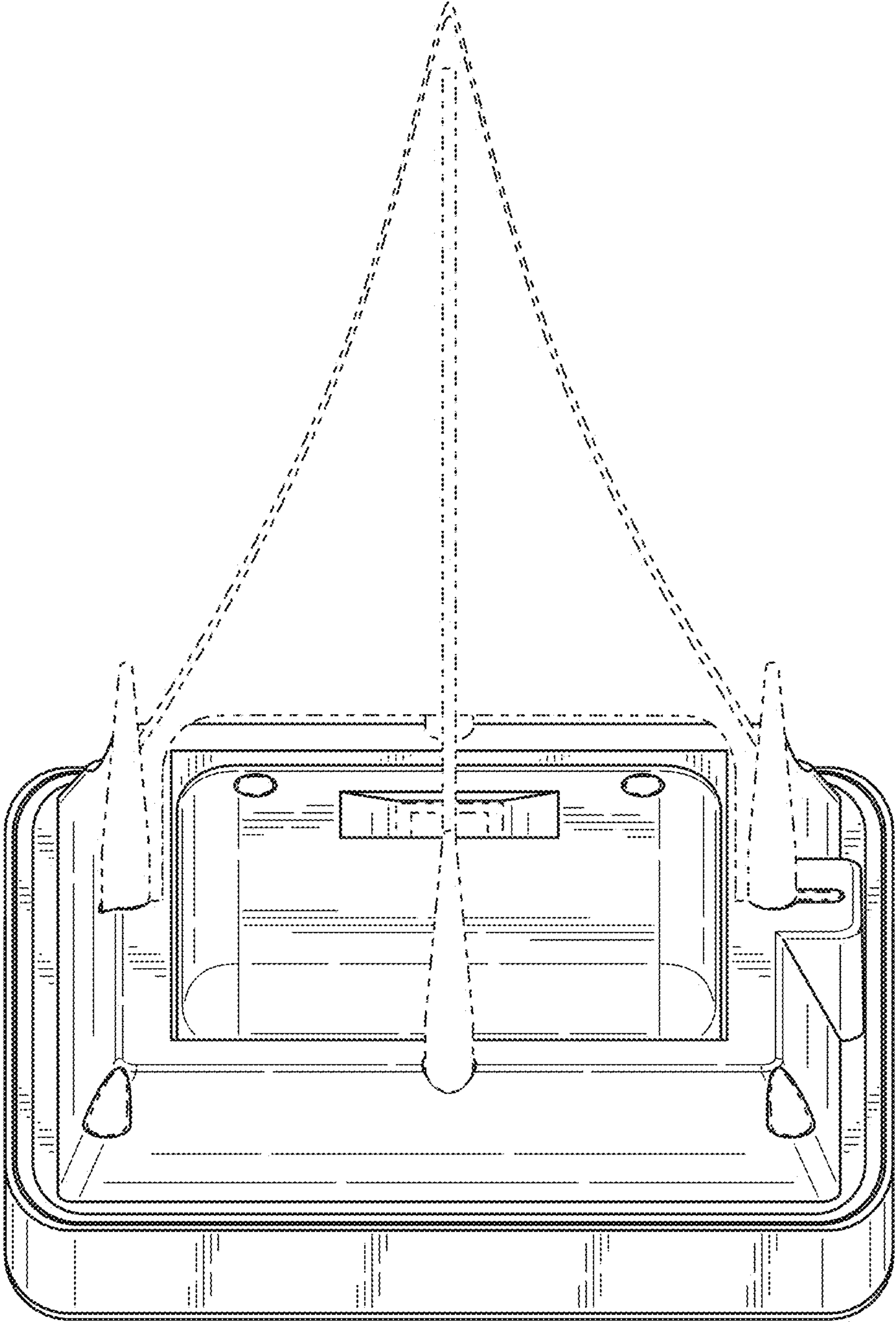


FIG. 2

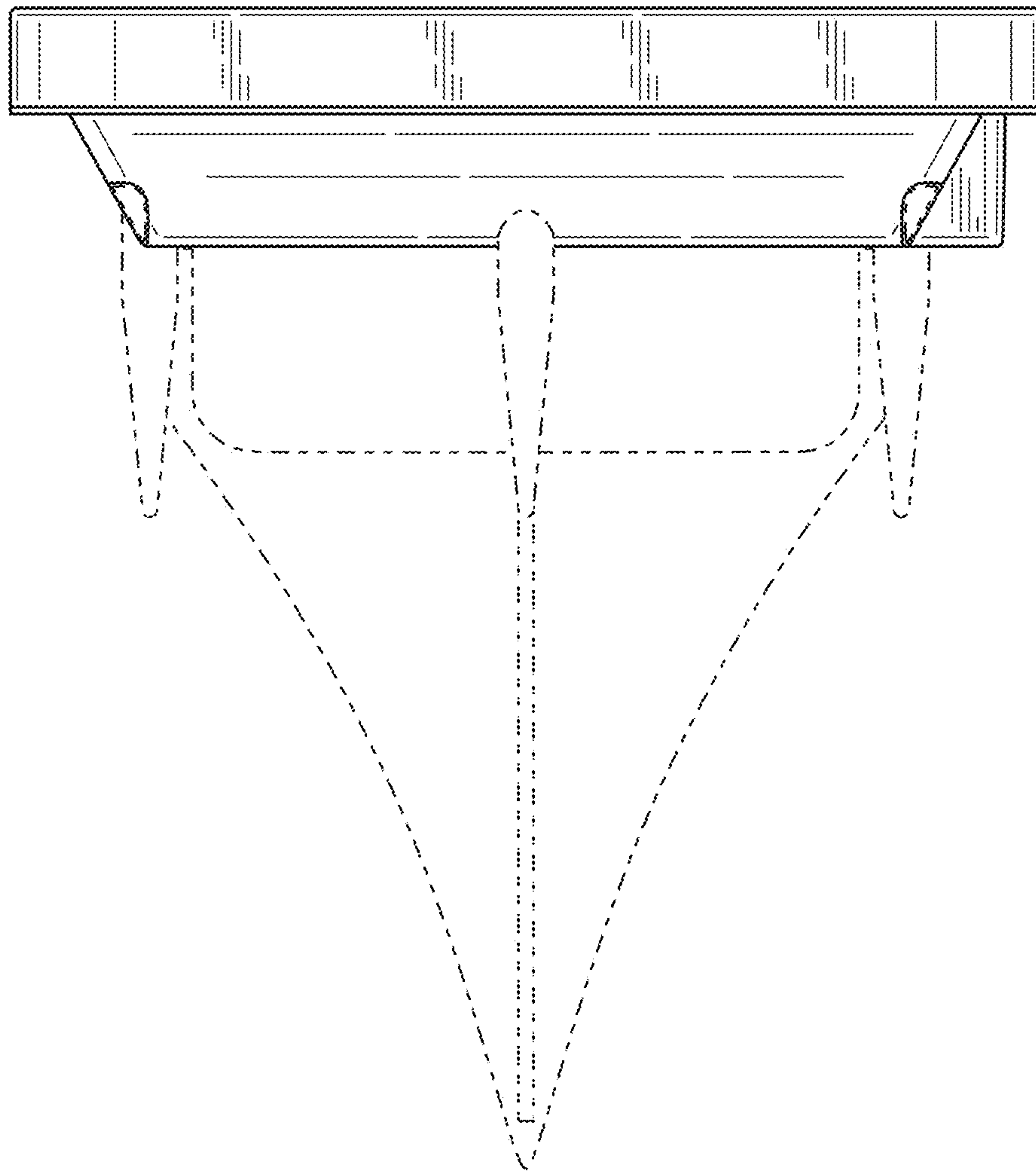


FIG. 3

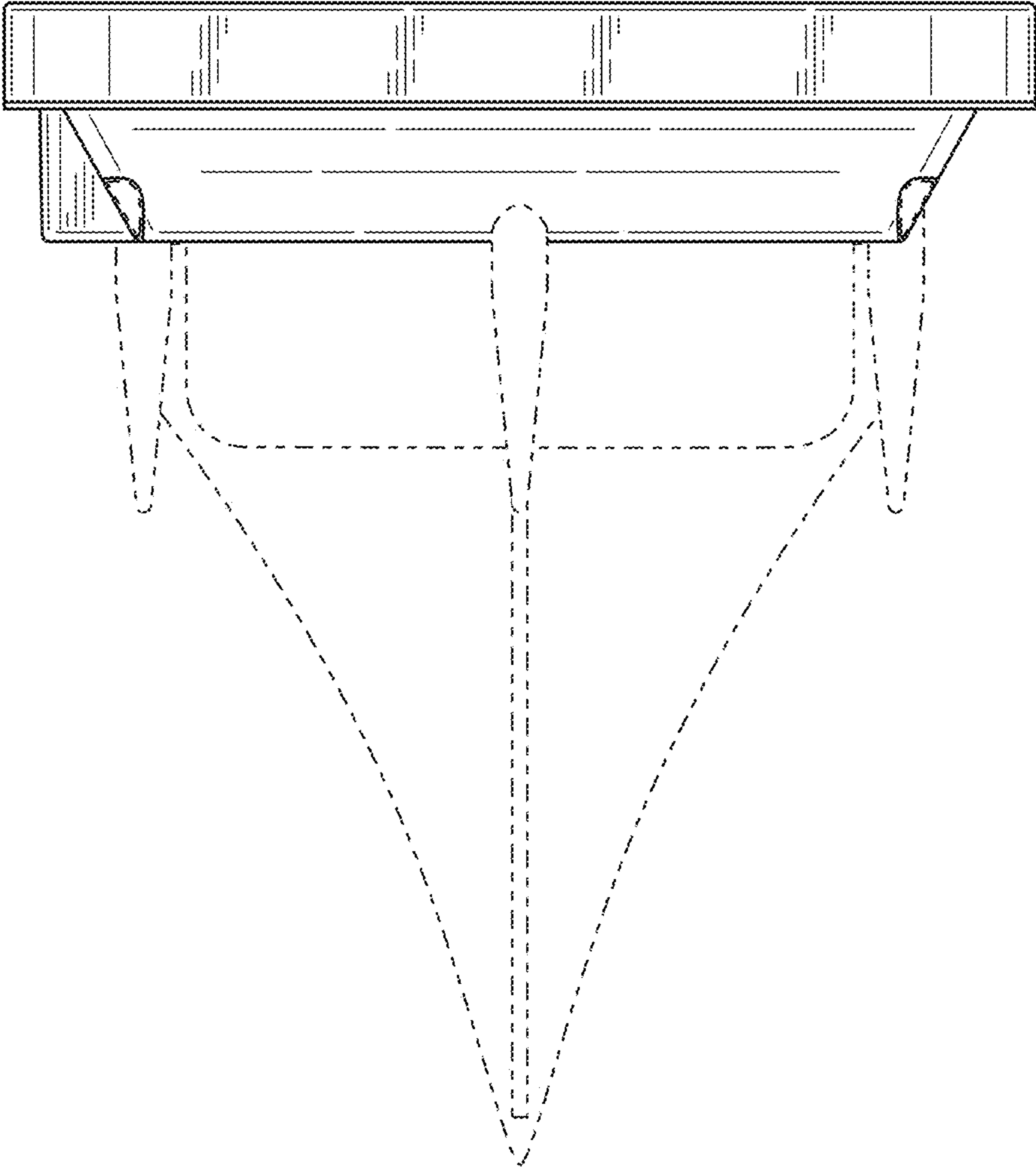


FIG. 4

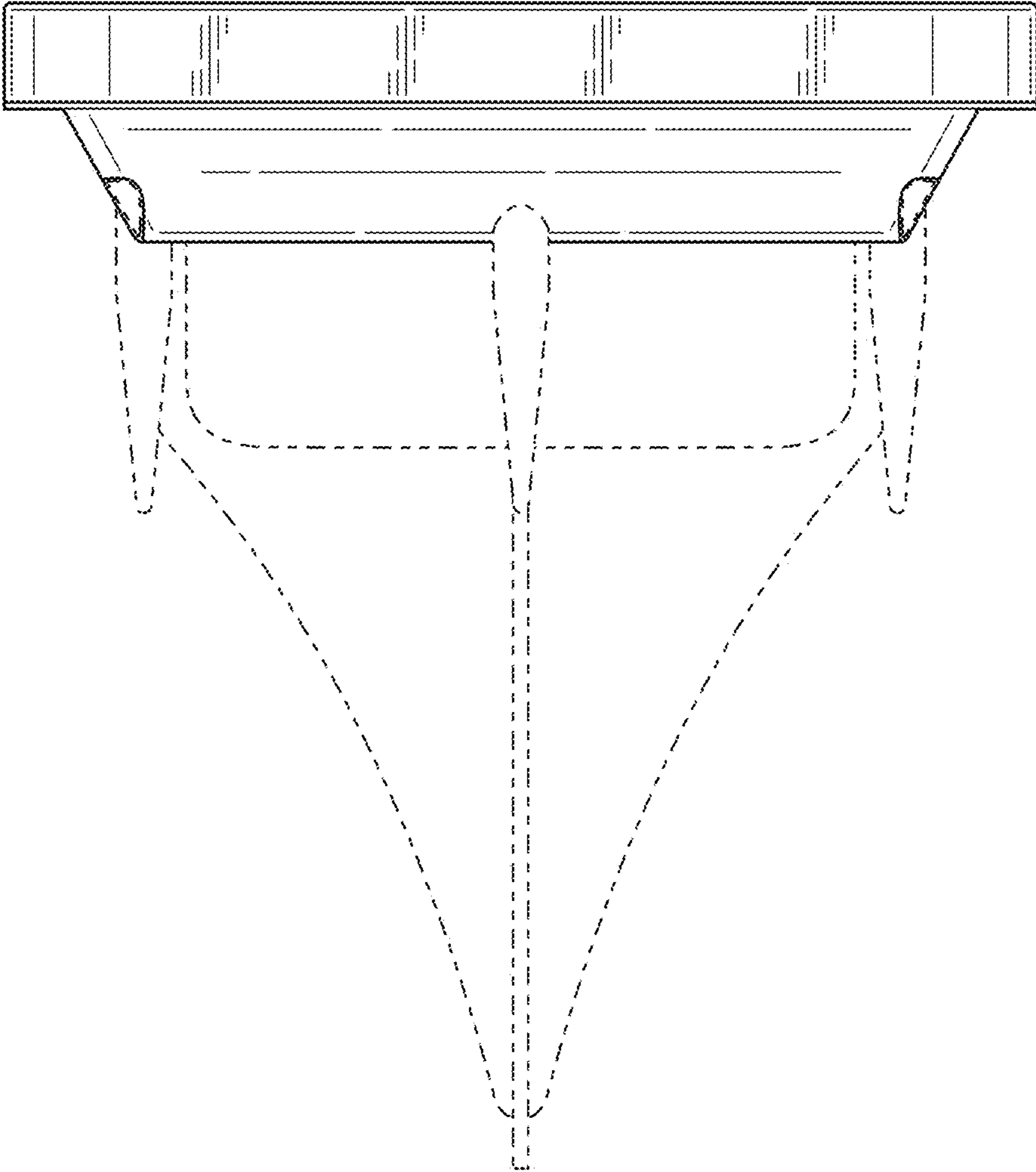


FIG. 5

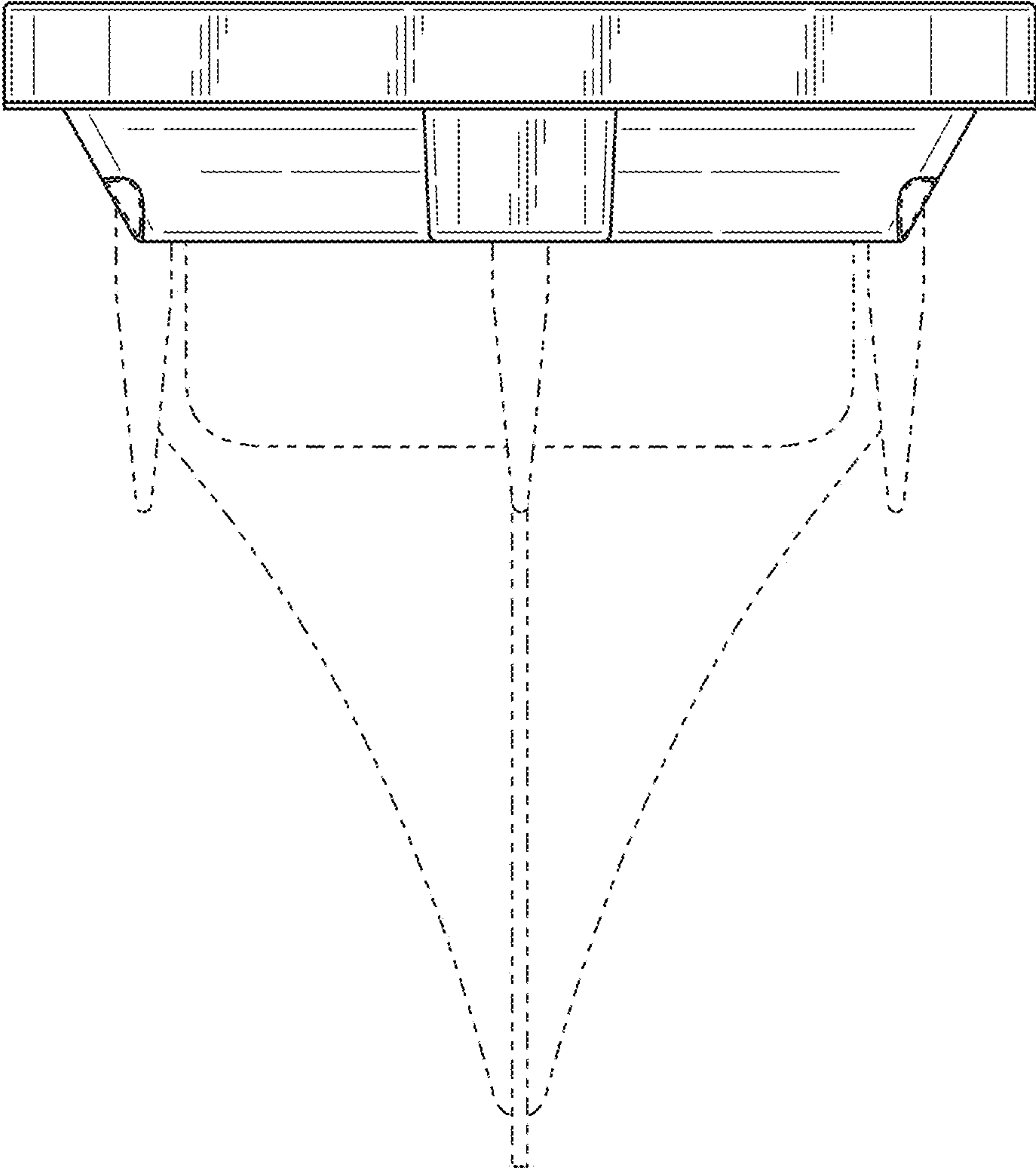


FIG. 6

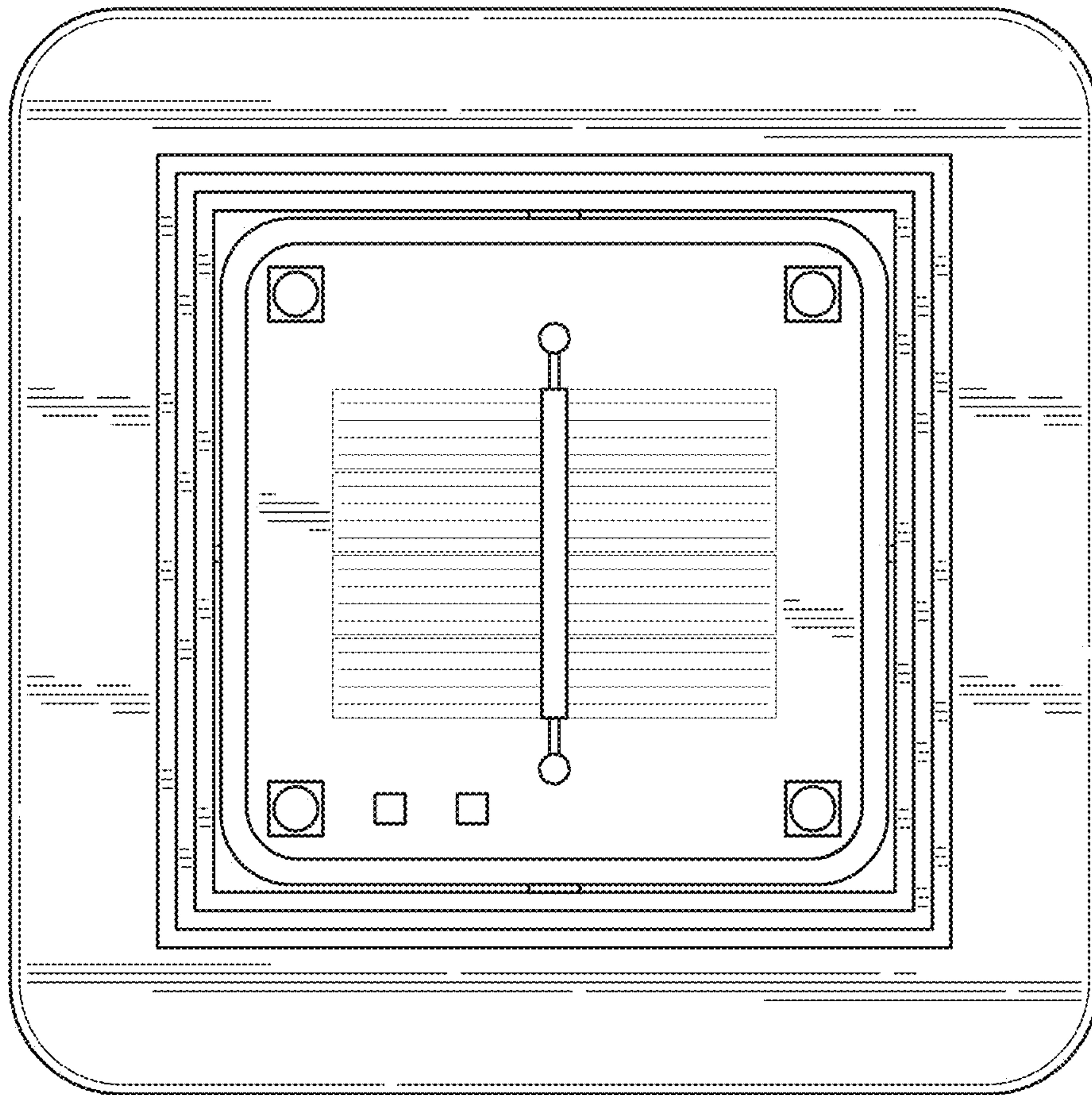


FIG. 7

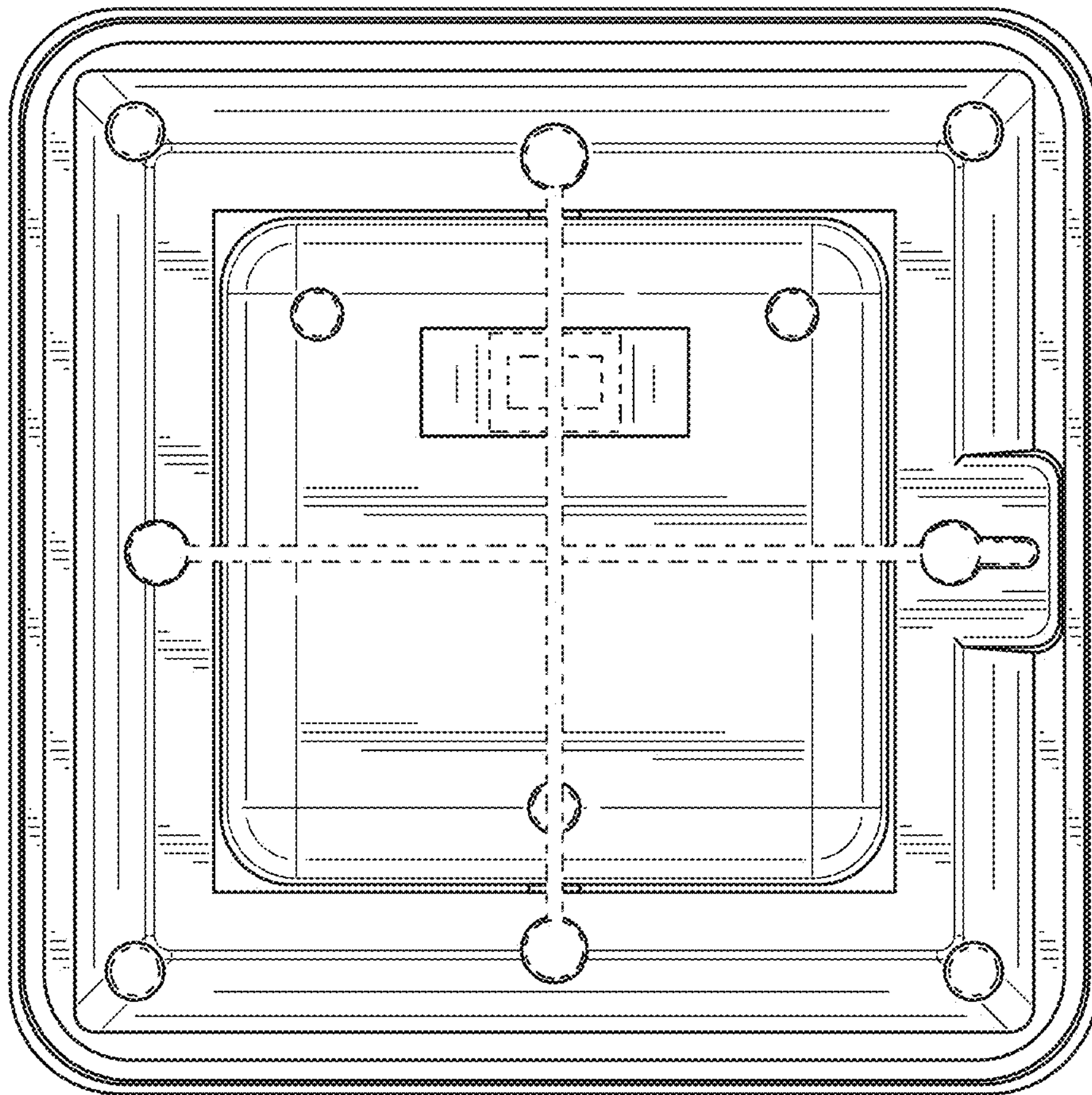


FIG. 8

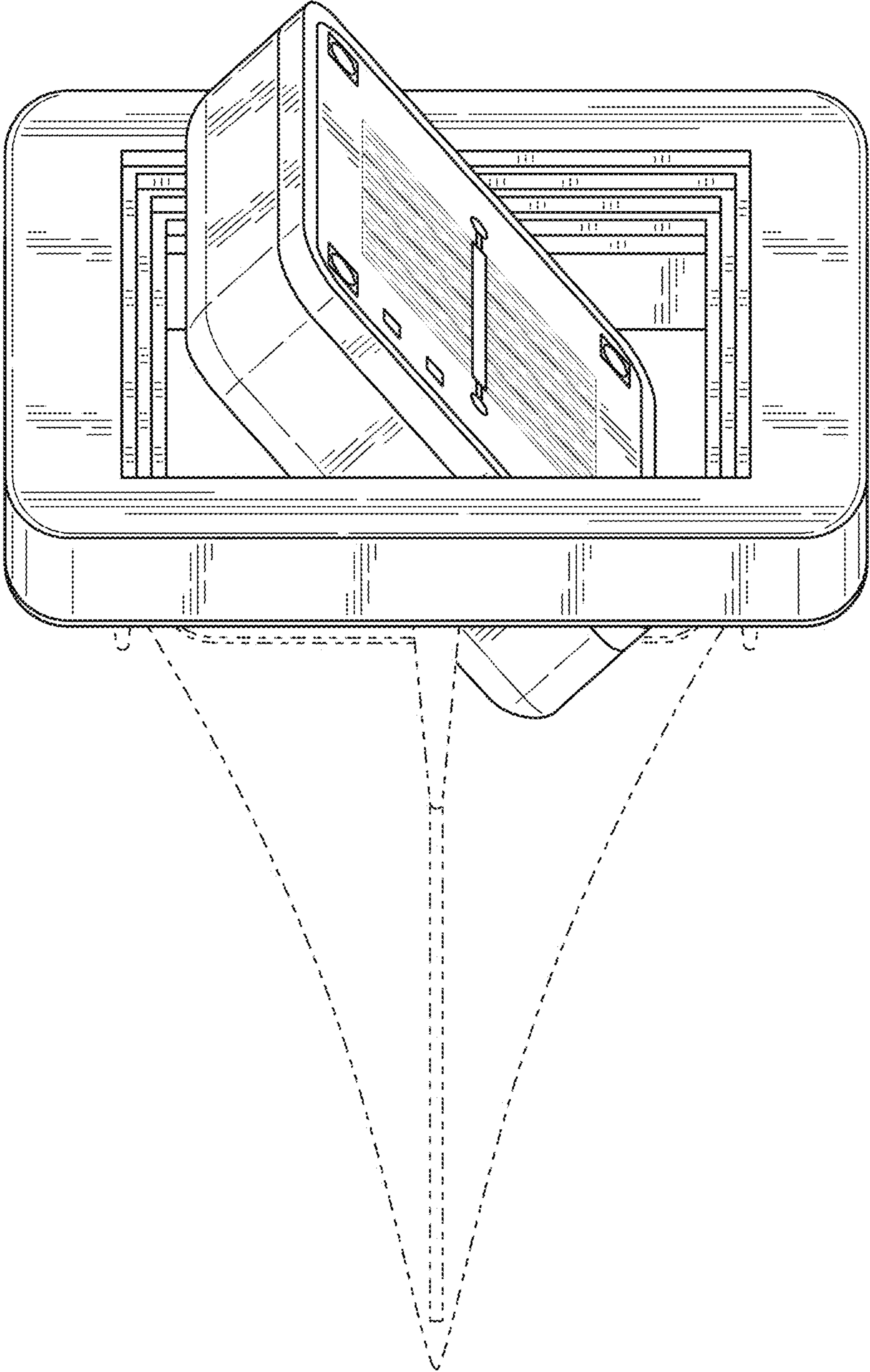


FIG. 9

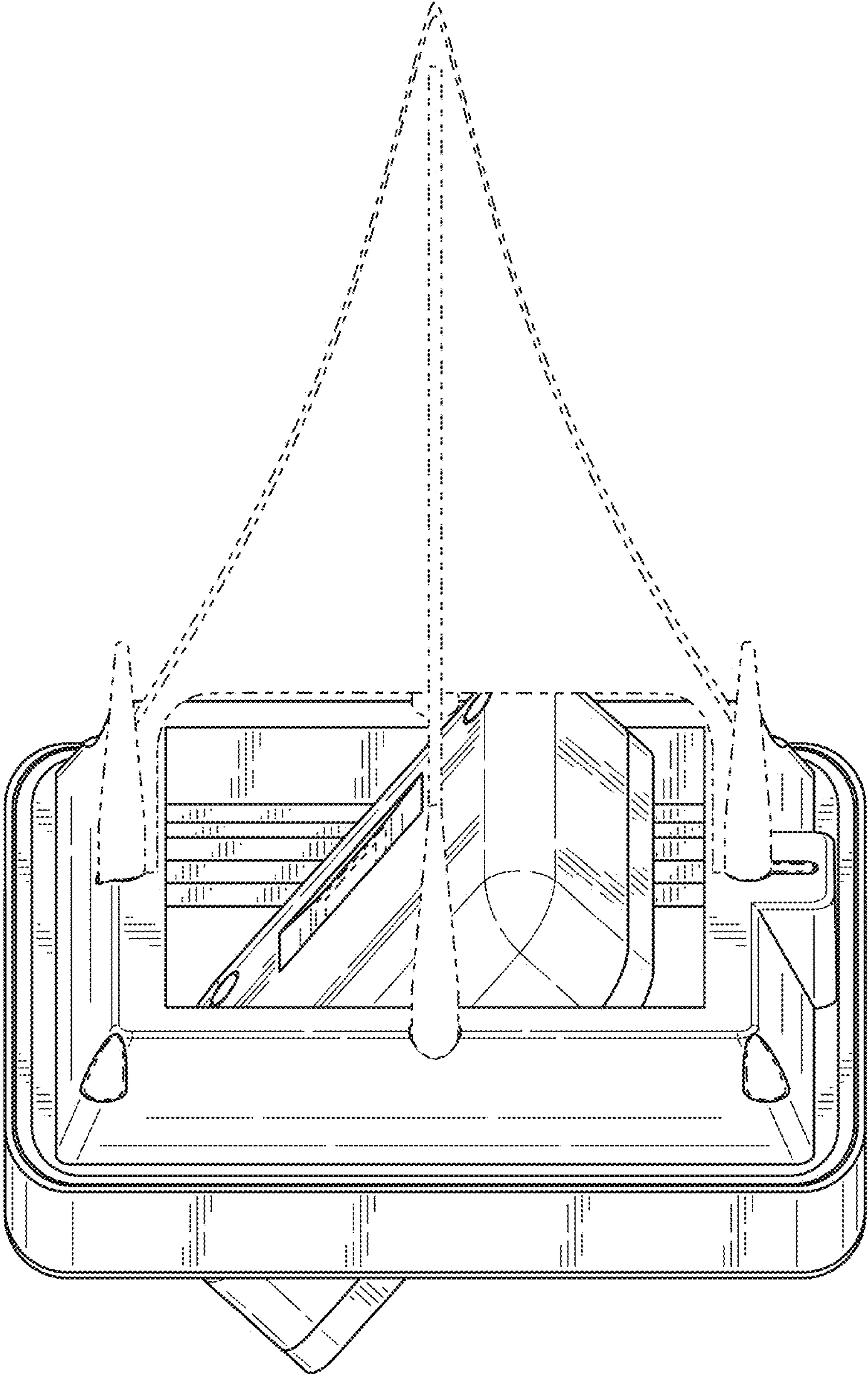


FIG. 10

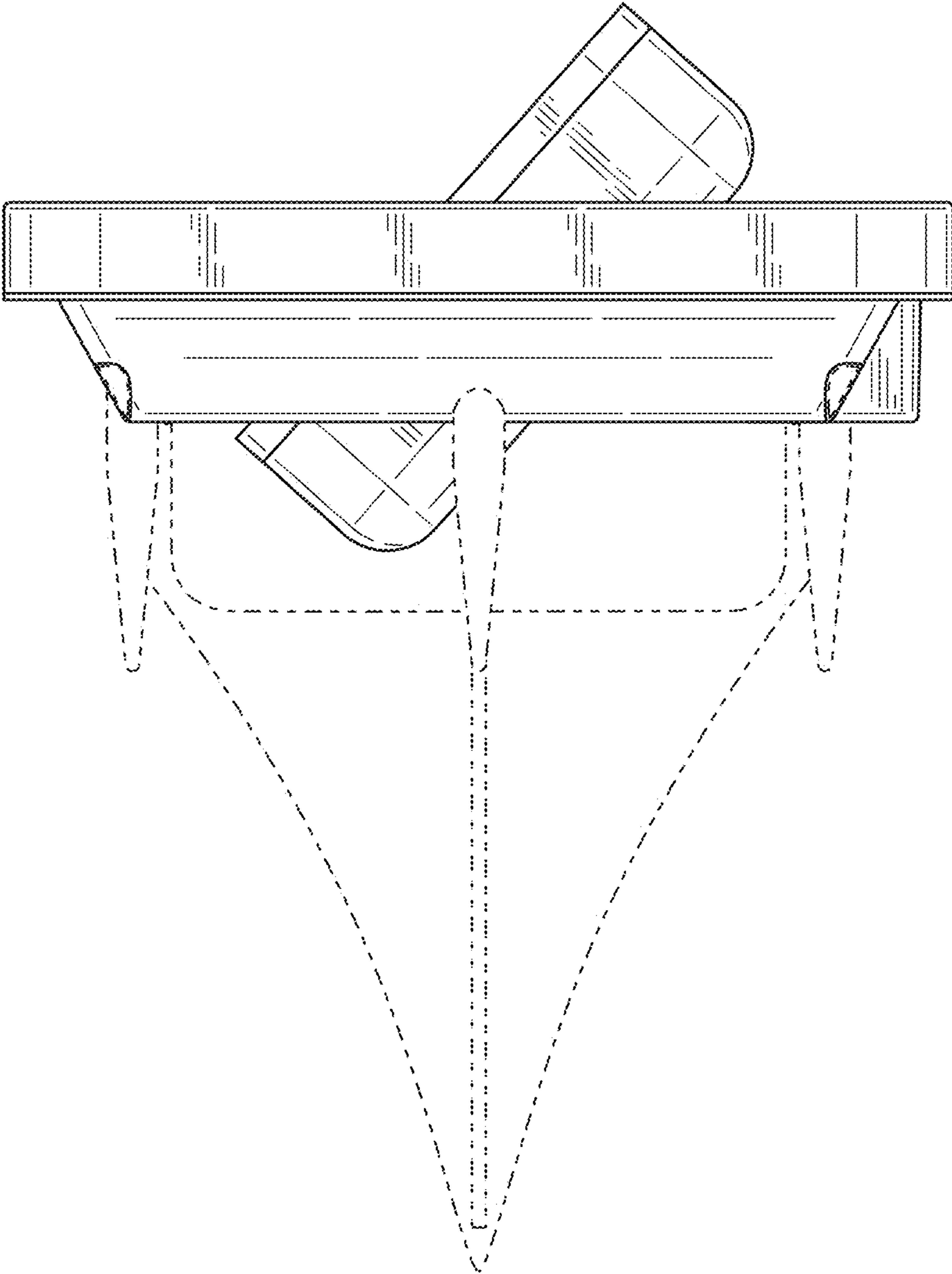


FIG. 11

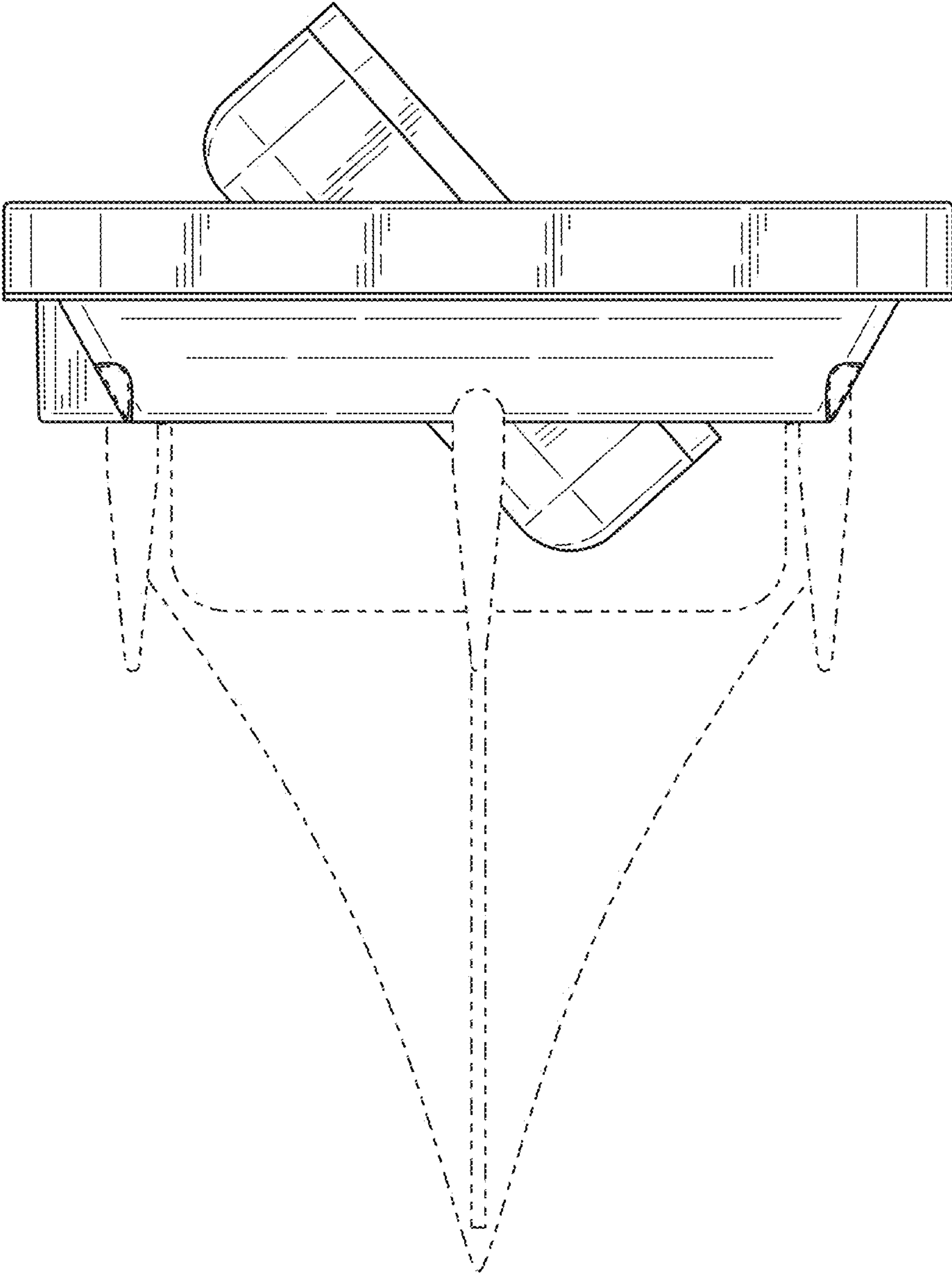


FIG. 12

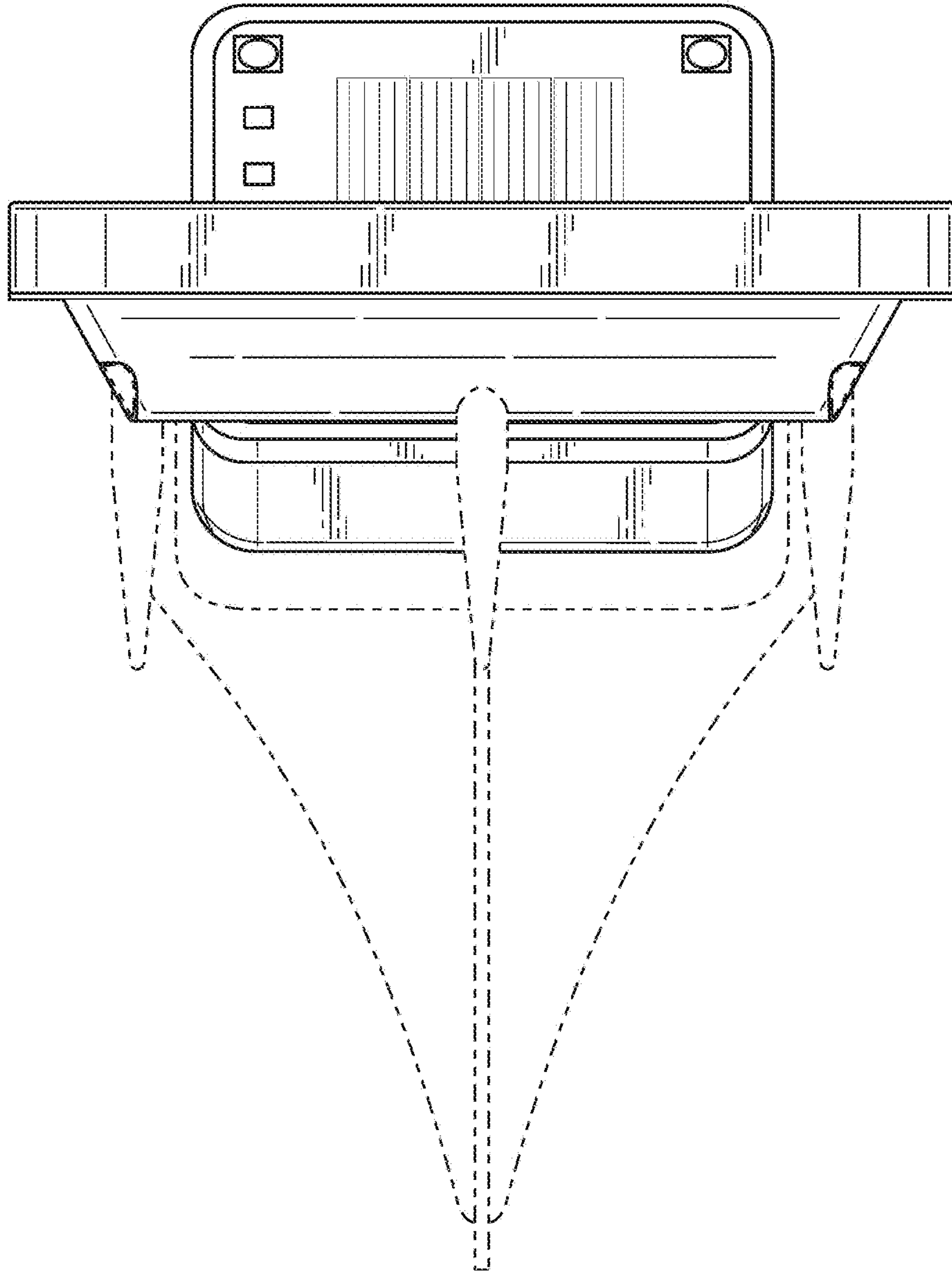


FIG. 13

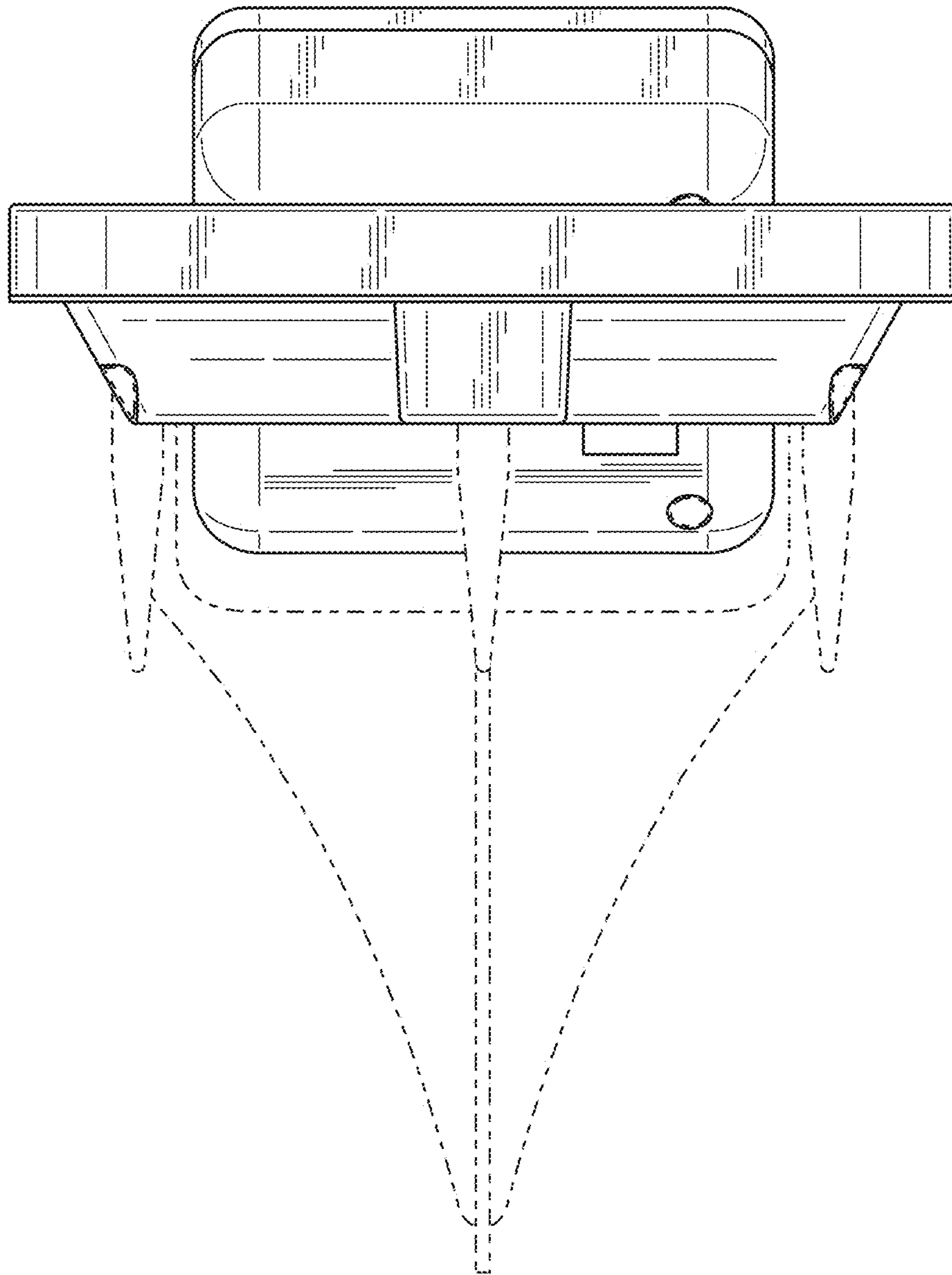


FIG. 14

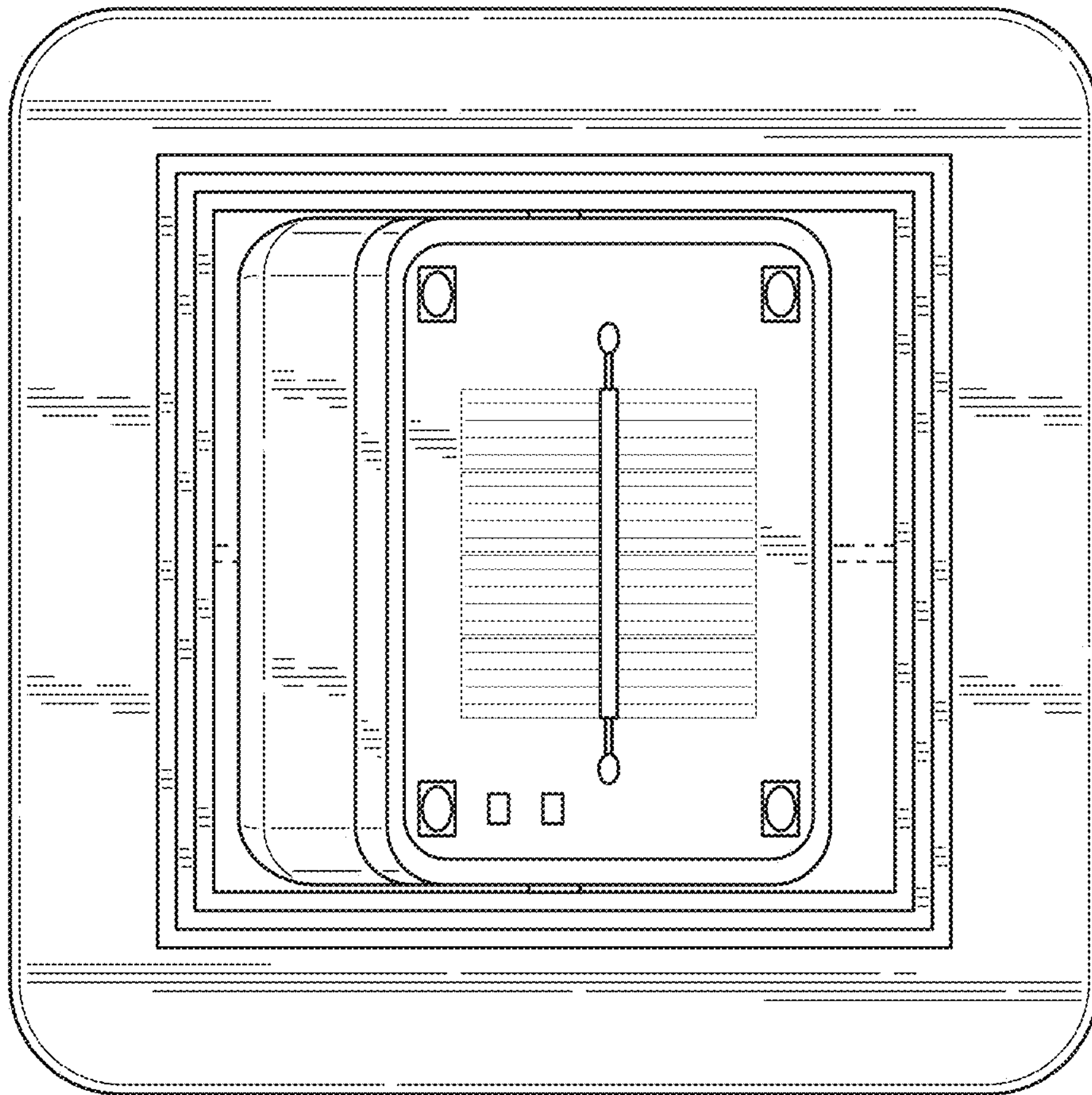


FIG. 15

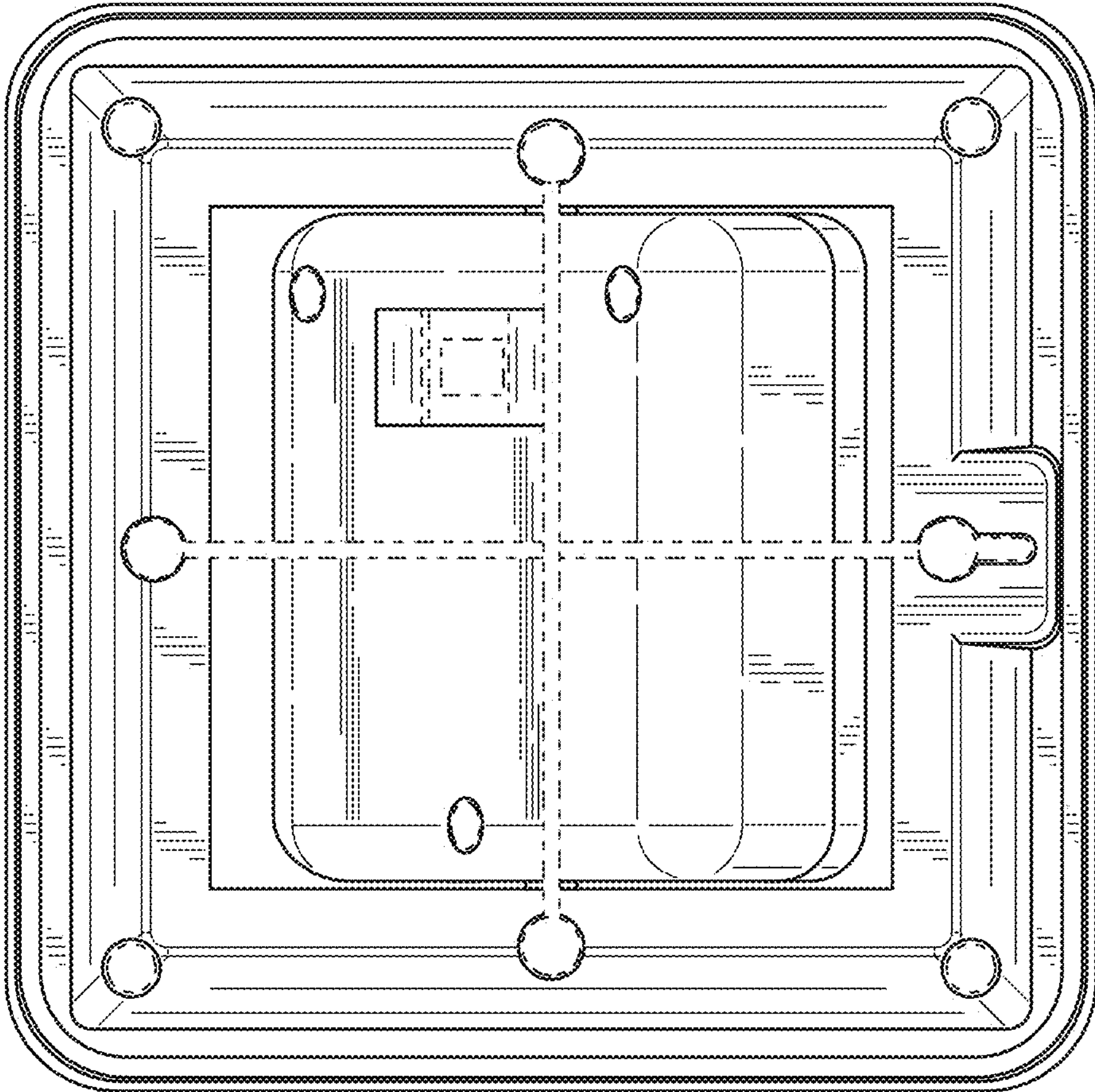


FIG. 16