



US00D950821S

(12) **United States Design Patent**  
**Zheng**

(10) **Patent No.:** **US D950,821 S**

(45) **Date of Patent:** **\*\* May 3, 2022**

(54) **SECURITY LIGHT**

(71) Applicant: **Yumei Yu**, Shanghai (CN)

(72) Inventor: **Yueduo Zheng**, Shanghai (CN)

(\*\*) Term: **15 Years**

(21) Appl. No.: **29/784,258**

(22) Filed: **May 18, 2021**

(30) **Foreign Application Priority Data**

Apr. 26, 2021 (CN) ..... 202130243724.X

(51) **LOC (13) Cl.** ..... **26-05**

(52) **U.S. Cl.**  
USPC ..... **D26/63**

(58) **Field of Classification Search**  
USPC ..... D26/63, 61, 64, 65, 80, 72, 118;  
D10/106.7, 106.8  
CPC ..... F21V 23/0442; F21V 33/0076  
See application file for complete search history.

(56) **References Cited**

**U.S. PATENT DOCUMENTS**

D361,149	S	*	8/1995	Wedell	.....	D26/63
5,649,761	A	*	7/1997	Sandell	.....	F21V 23/0471 362/802
D392,065	S	*	3/1998	Morrow	.....	D26/65
D761,474	S	*	7/2016	Chen	.....	D26/65
9,839,088	B1	*	12/2017	Deaton	.....	H05B 47/13
D866,035	S	*	11/2019	Tan	.....	D26/63
D866,036	S	*	11/2019	Tan	.....	D26/63
D869,038	S	*	12/2019	Recker	.....	D26/63
D869,720	S	*	12/2019	Recker	.....	D26/63
D875,983	S	*	2/2020	Zhu	.....	D26/63
D887,060	S	*	6/2020	Wang	.....	D26/63
D888,322	S	*	6/2020	Paredes et al.	.....	
D896,424	S	*	9/2020	Wang	.....	D26/63

D901,052	S	*	11/2020	Lao	.....	D26/51
D911,572	S	*	2/2021	Liu	.....	D26/63
D914,261	S	*	3/2021	Ouyang	.....	D26/65
D922,645	S	*	6/2021	Gowing	.....	D26/63
D934,479	S	*	10/2021	Liu	.....	D26/63
2018/0156427	A1	*	6/2018	Bailey	.....	F21V 23/001

**OTHER PUBLICATIONS**

Onforu 50W Security Light With Motion Sensor posted to amazon.com. Available date: May 26, 2019 [site visited Feb. 14, 2022] Available: <<https://www.amazon.co.uk/Onforu-Security-floodlight-Waterproof-Adjustable/dp/B07SCYPMDD>> (Year: 2019).\*

20W LED PIR Security Light With Motion Sensor from the DINGLILIGHTING Store, posted to amazon.com. Available date: Jul. 7, 2019 [site visited Feb. 14, 2022] Available: <[https://www.amazon.co.uk/Floodlight-Daylight-Waterproof-Security-Driveway/dp/B07TW3MZLG/ref=psdc\\_248795031\\_t1\\_B08KVVX5H7](https://www.amazon.co.uk/Floodlight-Daylight-Waterproof-Security-Driveway/dp/B07TW3MZLG/ref=psdc_248795031_t1_B08KVVX5H7)> (Year: 2019).\*

(Continued)

*Primary Examiner* — Kevin K Rudzinski

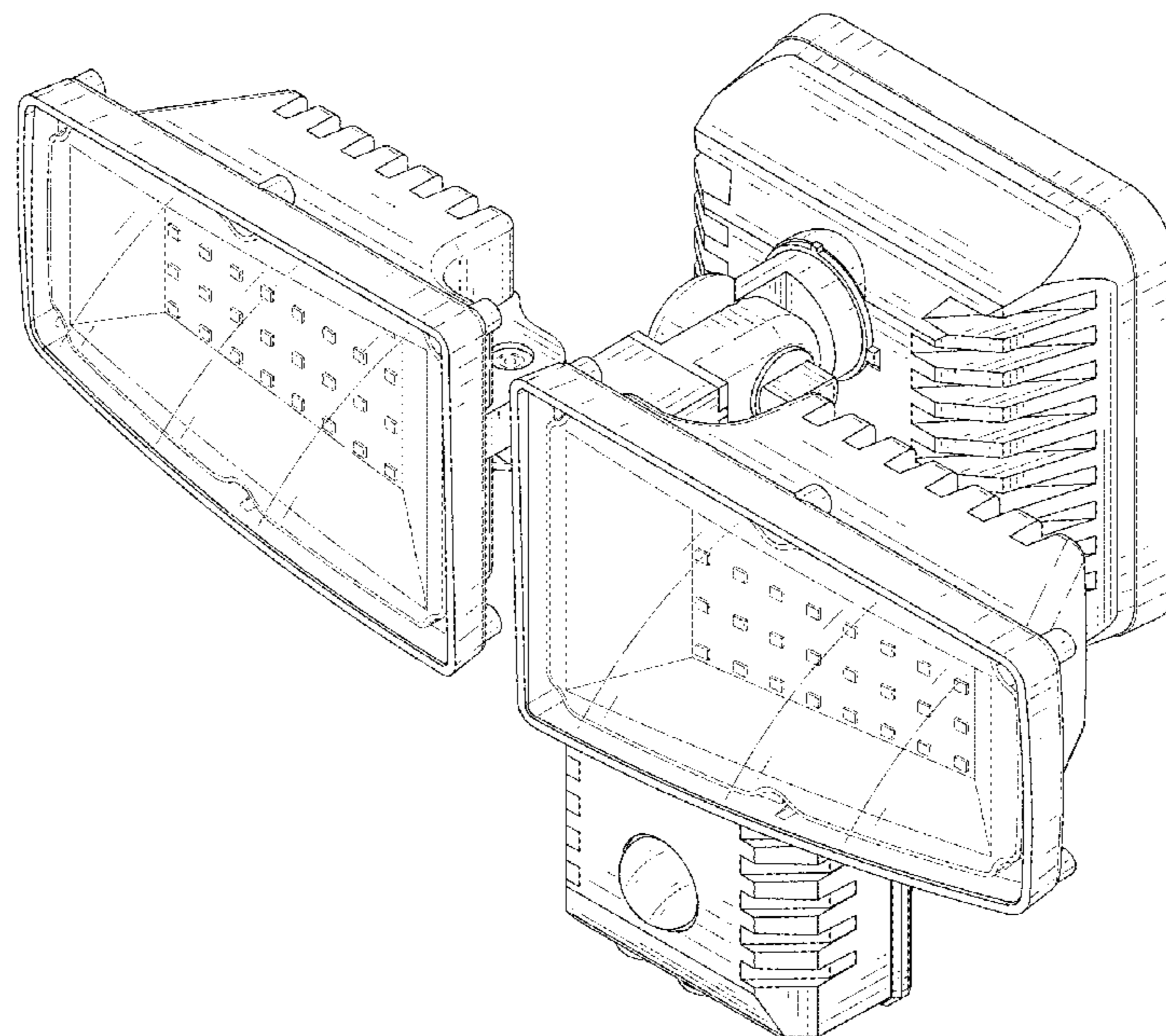
(57) **CLAIM**

The ornamental design for a security light, as shown and described.

**DESCRIPTION**

FIG. 1 is a front and top perspective view of a security light, showing my new design;  
FIG. 2 is a rear and bottom perspective view thereof;  
FIG. 3 is a front elevation view thereof;  
FIG. 4 is a rear elevation view thereof;  
FIG. 5 is a left side elevation view thereof;  
FIG. 6 is a right side elevation view thereof;  
FIG. 7 is a top plan view thereof; and,  
FIG. 8 is a bottom plan view thereof.  
The broken lines in the figures illustrate portions of the security light that form no part of the claimed design.

**1 Claim, 8 Drawing Sheets**



(56)

**References Cited**

OTHER PUBLICATIONS

Olafus 50W LED Motion Sensor Light Outdoor Security Light posted to amazon.com. Available date: Apr. 18, 2019 [site visited Feb. 14, 2022] Available: <<https://www.amazon.com/Olafus-3-Head-Security-Outdoor-Activated/dp/B07QTKV6BF>> (Year: 2019).\*

Solar Lights Outdoor from ATUPEN, posted to amazon.com. Available date: Jan. 18, 2021 [site visited Feb. 14, 2022] Available: <[https://www.amazon.com/Outdoor-ATUPEN-Security-Waterproof-Illumination/dp/B08T9F2MM1/ref=psdc\\_495238\\_t2\\_B092NV7R38?th=1](https://www.amazon.com/Outdoor-ATUPEN-Security-Waterproof-Illumination/dp/B08T9F2MM1/ref=psdc_495238_t2_B092NV7R38?th=1)> (Year: 2021).\*

\* cited by examiner

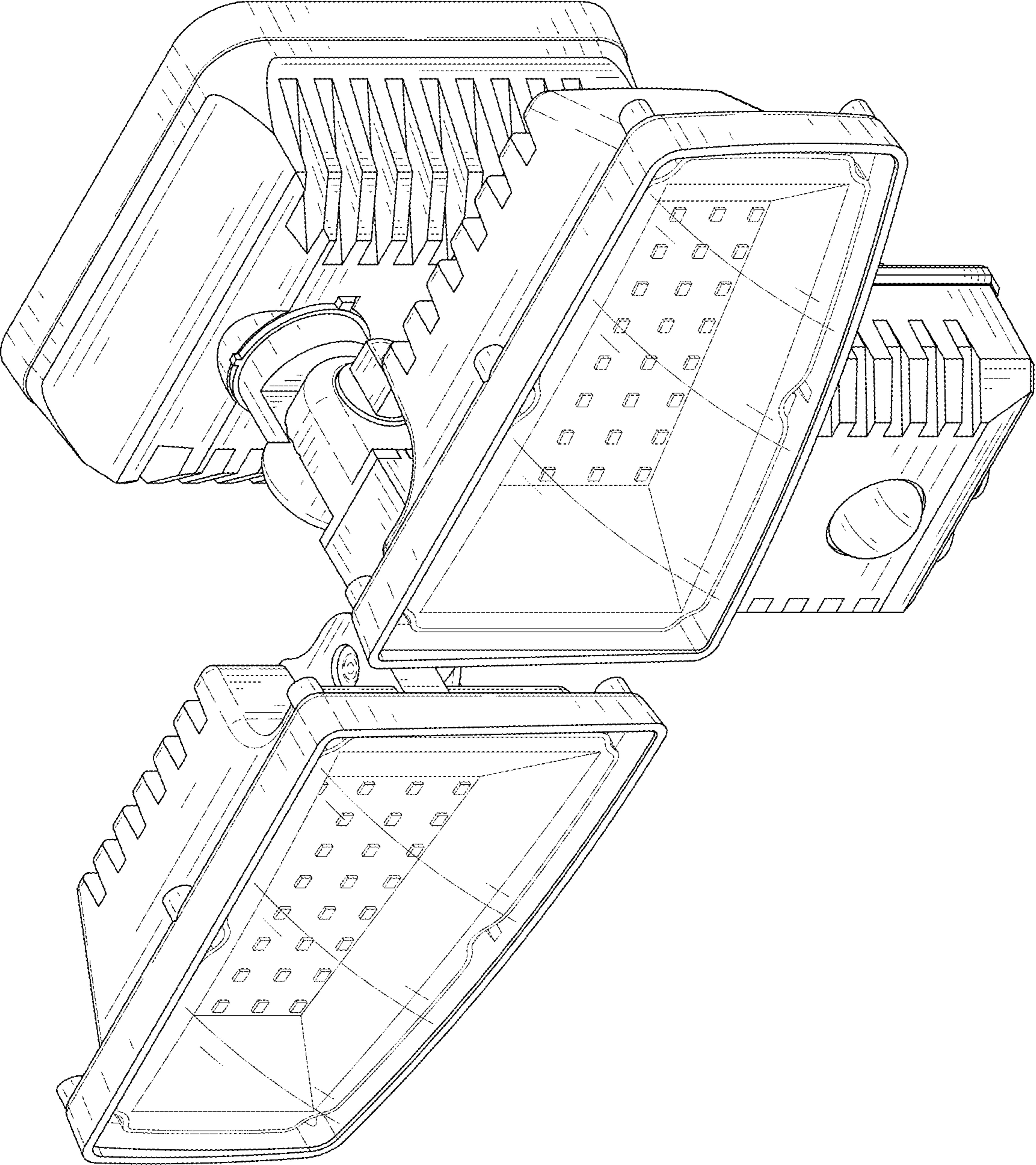


FIG. 1



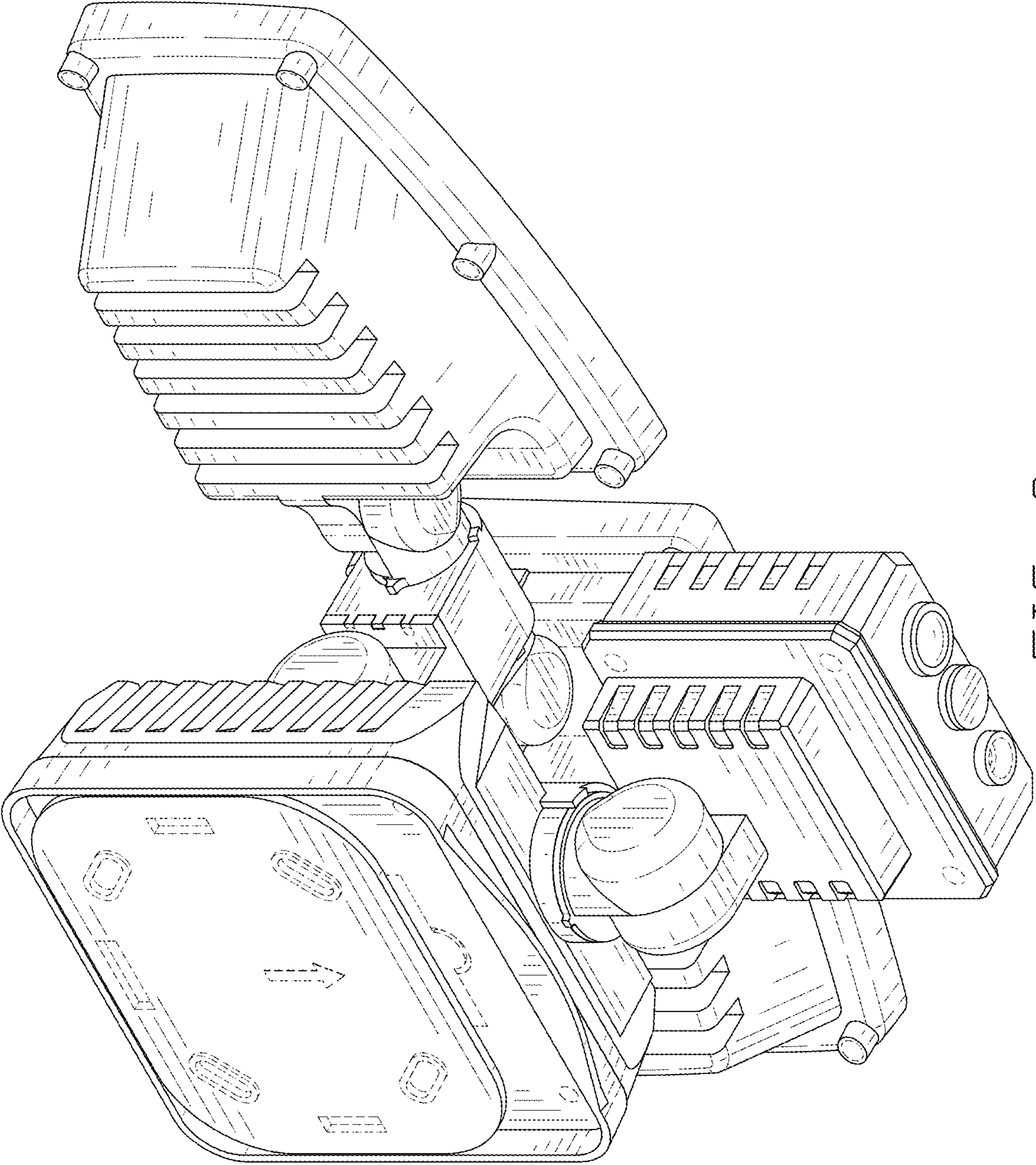


FIG. 2

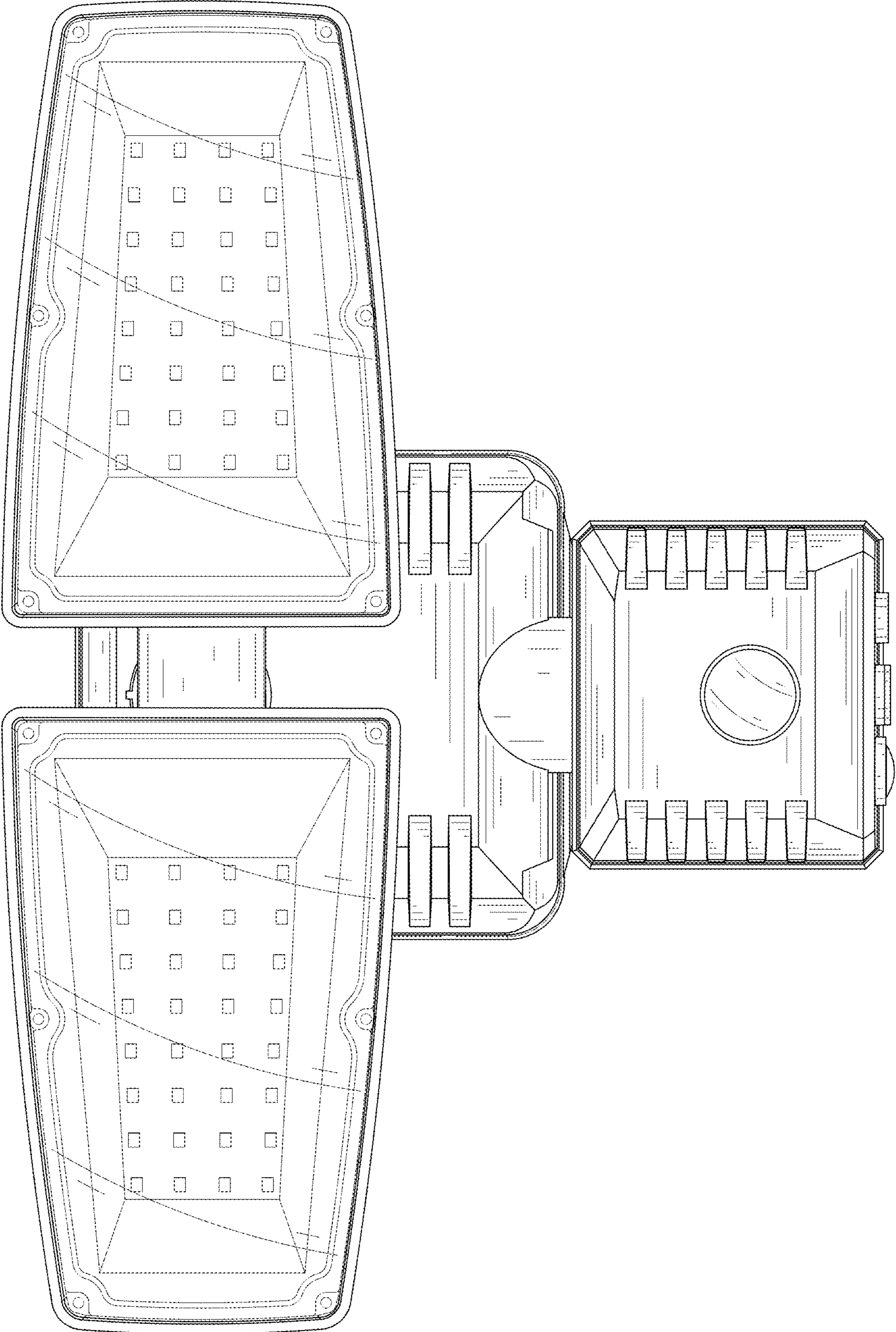


FIG. 3

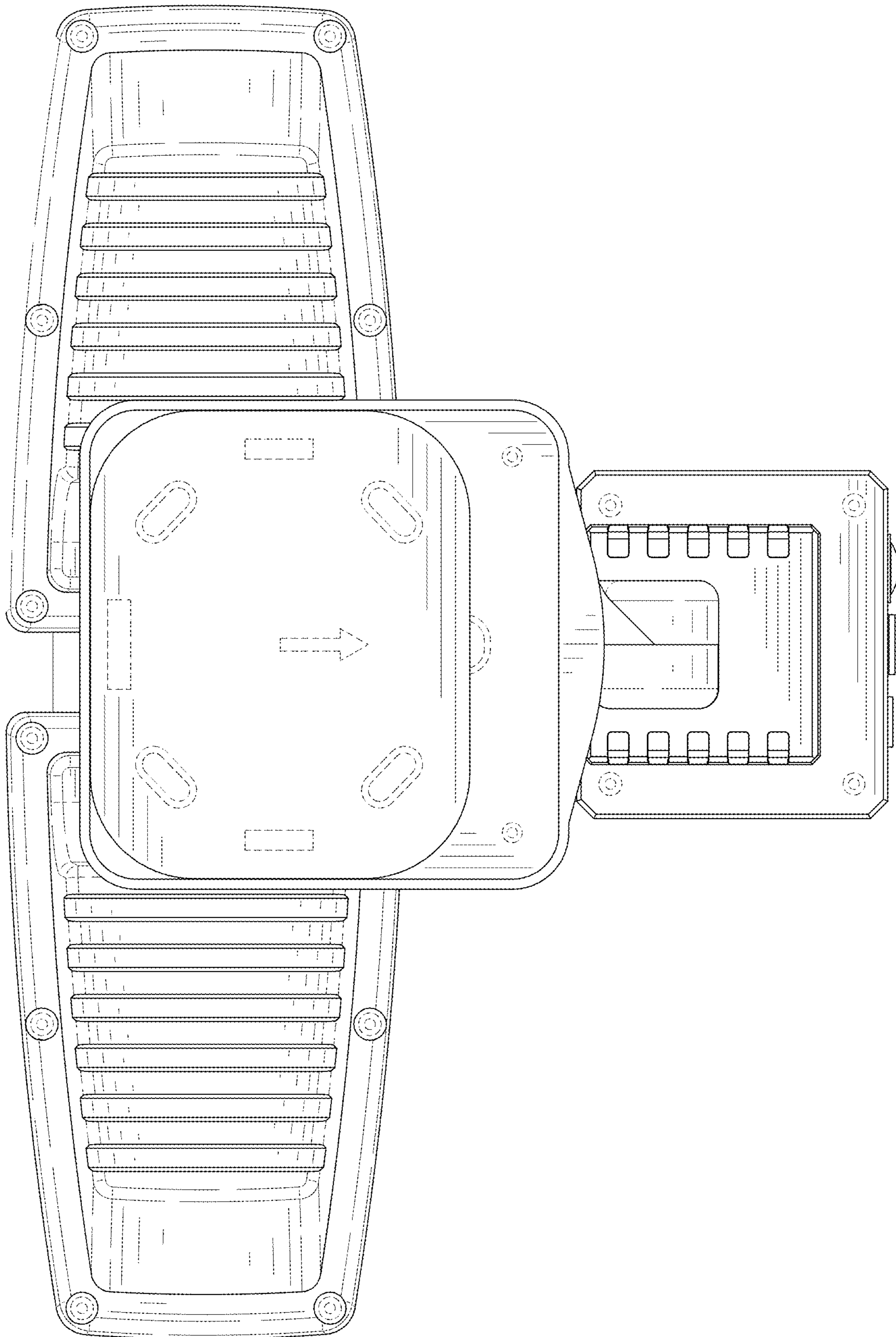


FIG. 4



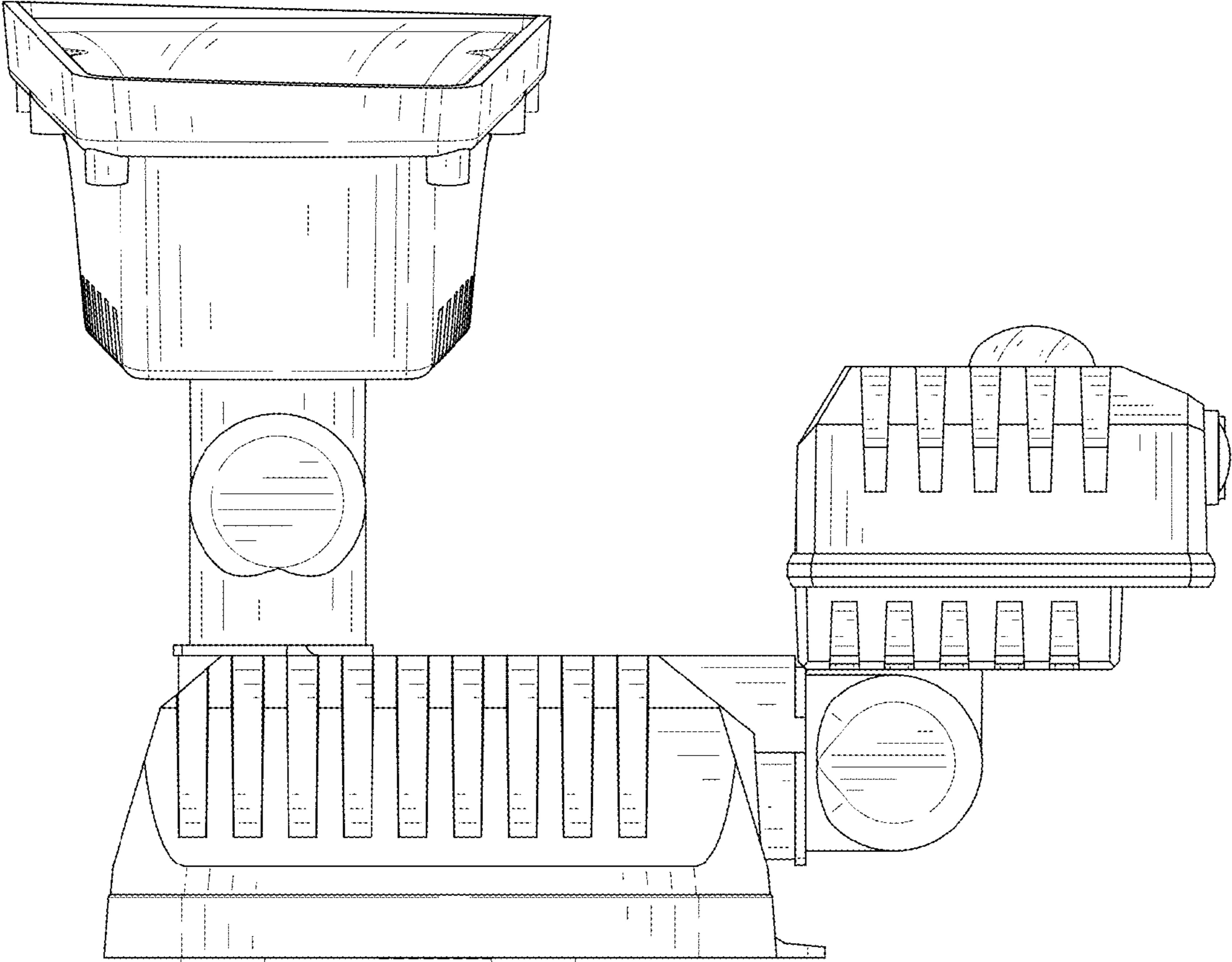


FIG. 5

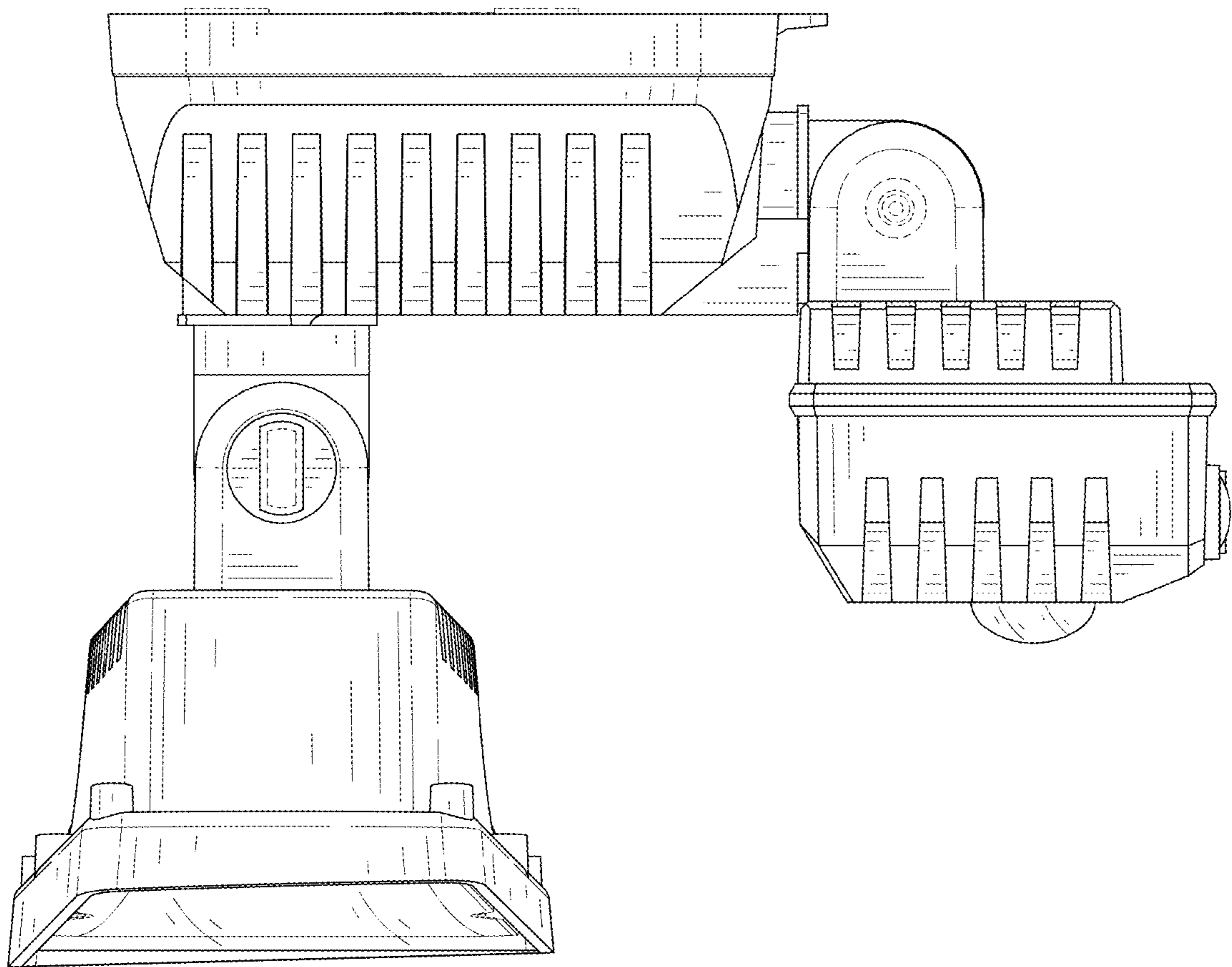


FIG. 6



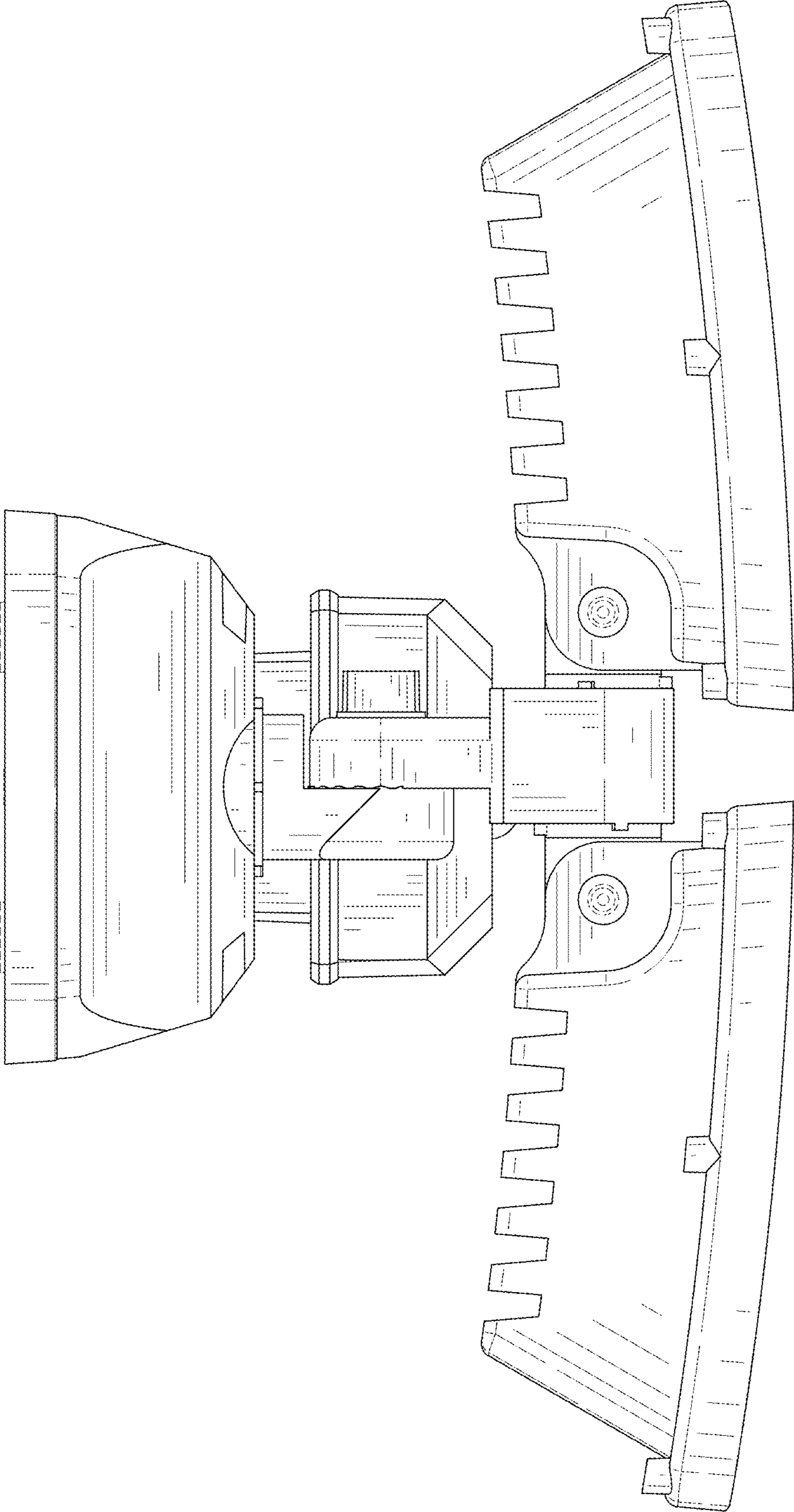


FIG. 7

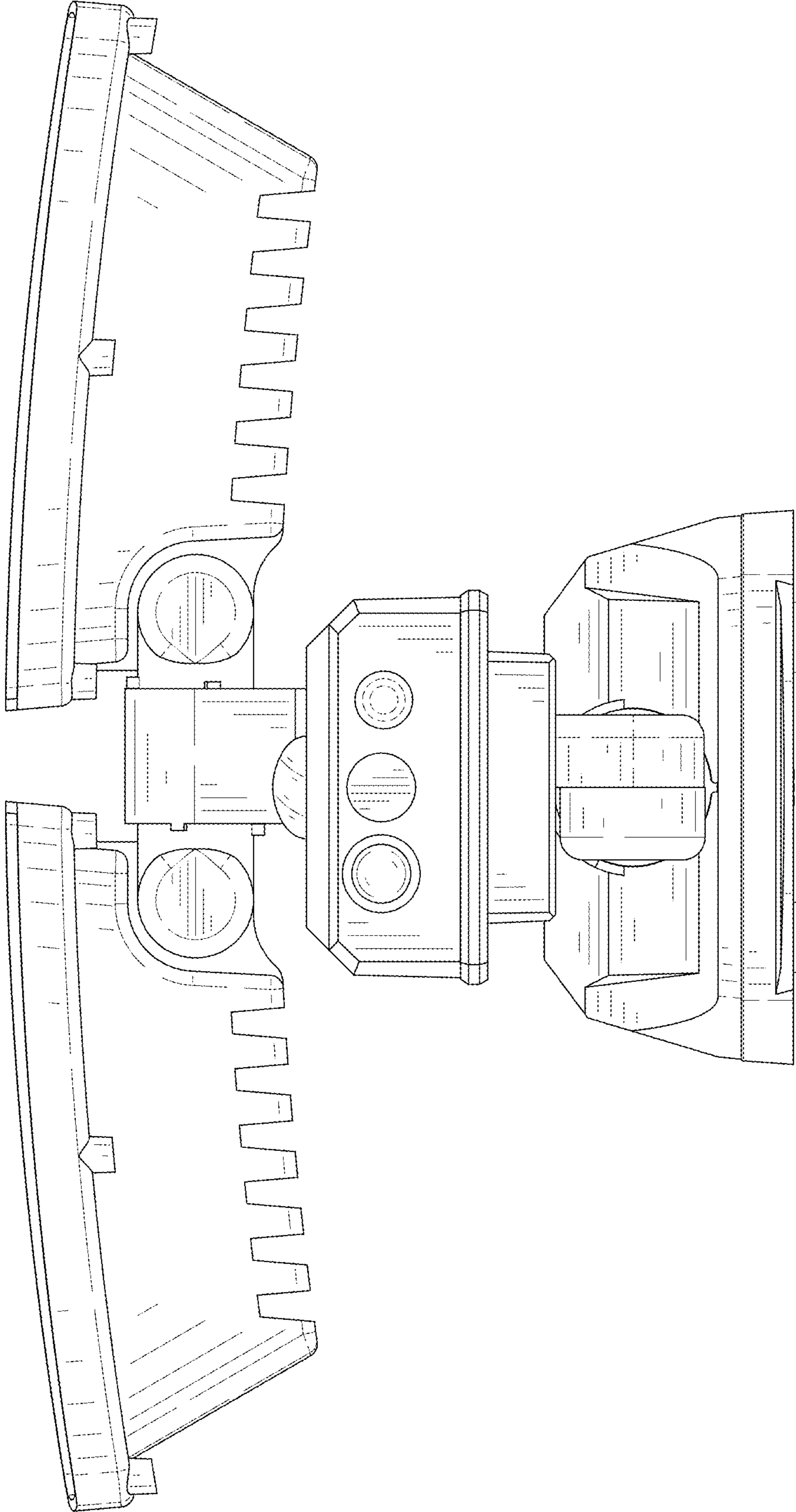


FIG. 8