



US00D950820S

(12) **United States Design Patent**
Zheng

(10) **Patent No.:** **US D950,820 S**

(45) **Date of Patent:** **** May 3, 2022**

(54) **SECURITY LIGHT**

(71) Applicant: **Yumei Yu**, Shanghai (CN)

(72) Inventor: **Yueduo Zheng**, Shanghai (CN)

(**) Term: **15 Years**

(21) Appl. No.: **29/784,257**

(22) Filed: **May 18, 2021**

(30) **Foreign Application Priority Data**

Feb. 5, 2021 (CN) 202130086035.2

(51) **LOC (13) Cl.** **26-05**

(52) **U.S. Cl.**
USPC **D26/63**

(58) **Field of Classification Search**
USPC D26/63, 61, 64, 65, 80, 72, 118;
D10/106.7, 106.8
CPC F21V 23/0442; F21V 33/0076
See application file for complete search history.

(56) **References Cited**

U.S. PATENT DOCUMENTS

- D361,149 S * 8/1995 Wedell D26/63
- 5,649,761 A * 7/1997 Sandell F21V 23/0471
362/802
- D392,065 S * 3/1998 Morrow D26/65
- D761,474 S * 7/2016 Chen D26/65
- 9,839,088 B1 * 12/2017 Deaton H05B 47/13
- D866,035 S * 11/2019 Tan D26/63
- D866,036 S * 11/2019 Tan D26/63
- D869,038 S * 12/2019 Recker D26/63
- D869,720 S * 12/2019 Recker D26/63
- D875,983 S * 2/2020 Zhu D26/63
- D887,060 S * 6/2020 Wang D26/63
- D888,322 S * 6/2020 Paredes et al.
- D896,424 S * 9/2020 Wang D26/63

- D901,052 S * 11/2020 Lao D26/51
- D911,572 S * 2/2021 Liu D26/63
- D914,261 S * 3/2021 Ouyang D26/65
- D922,645 S * 6/2021 Gowing D26/63
- D934,479 S * 10/2021 Liu D26/63
- 2018/0156427 A1 * 6/2018 Bailey F21V 23/001

OTHER PUBLICATIONS

Onforu 50W Security Light With Motion Sensor posted to amazon.com. Available date: May 26, 2019 [site visited Feb. 14, 2022] Available: <<https://www.amazon.co.uk/Onforu-Security-floodlight-Waterproof-Adjustable/dp/B07SCYPMDD>> (Year: 2019).*

20W LED PIR Security Light With Motion Sensor from the Dinglilighting Store, posted to amazon.com. Available date: Jul. 7, 2019 [site visited Feb. 14, 2022] Available: <https://www.amazon.co.uk/Floodlight-Daylight-Waterproof-Security-Driveway/dp/B07TW3MZLG/ref=psdc_248795031_t1_B08KVVX5H7> (Year: 2019).*

(Continued)

Primary Examiner — Kevin K Rudzinski

(57) **CLAIM**

The ornamental design for a security light, as shown and described.

DESCRIPTION

FIG. 1 is a front and top perspective view of a security light, showing my new design;

FIG. 2 is a rear and bottom perspective view thereof;

FIG. 3 is a front elevation view thereof;

FIG. 4 is a rear elevation view thereof;

FIG. 5 is a left side elevation view thereof;

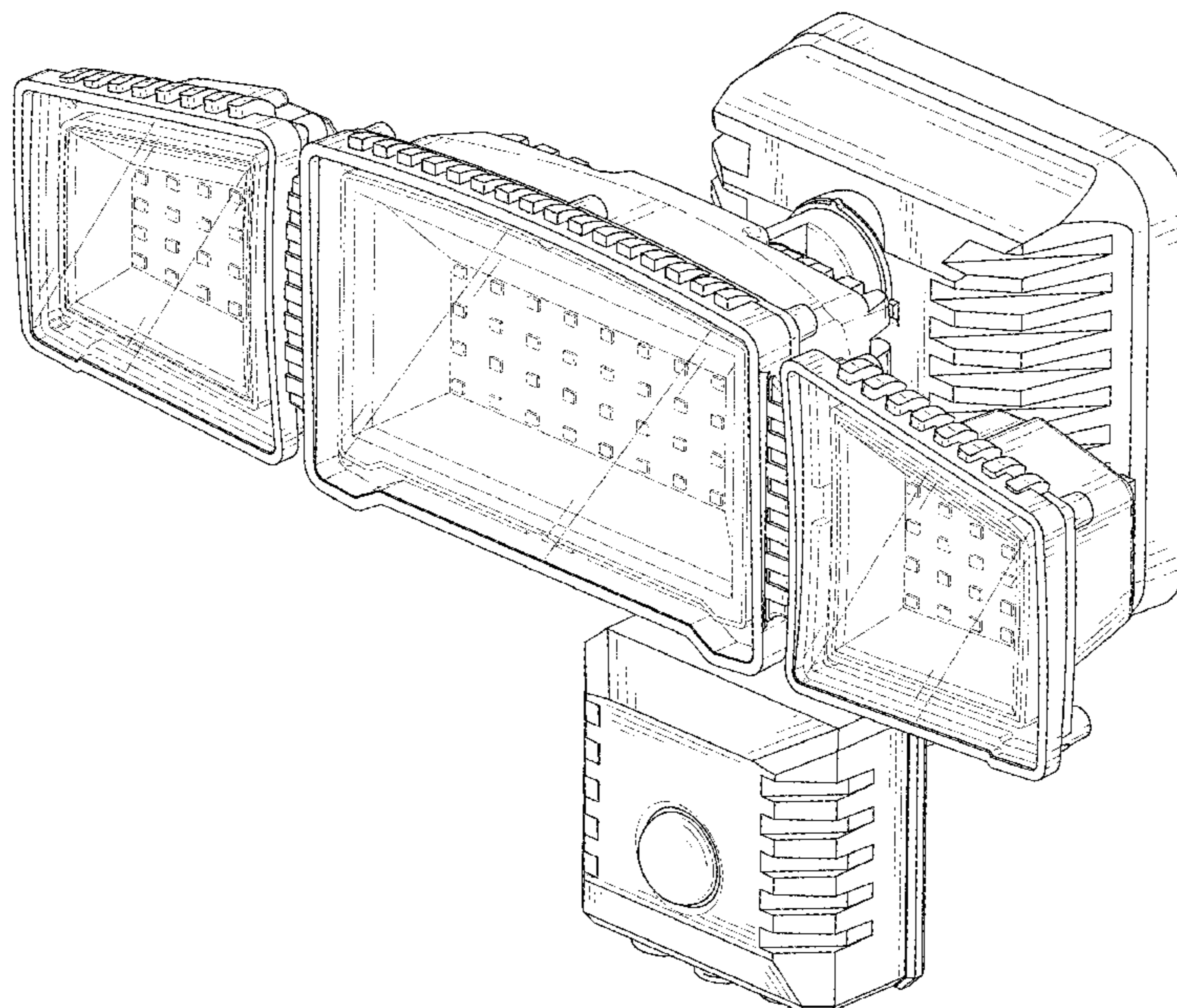
FIG. 6 is a right side elevation view thereof;

FIG. 7 is a top plan view thereof; and,

FIG. 8 is a bottom plan view thereof.

The broken lines in the figures illustrate portions of the security light that form no part of the claimed design.

1 Claim, 8 Drawing Sheets



(56)

References Cited

OTHER PUBLICATIONS

Olafus 50W LED Motion Sensor Light Outdoor Security Light posted to amazon.com. Available date: Apr. 18, 2019 [site visited Feb. 14, 2022] Available: <<https://www.amazon.com/Olafus-3-Head-Security-Outdoor-Activated/dp/B07QTKV6BF>> (Year: 2019).*

Solar Lights Outdoor from ATUPEN, posted to amazon.com. Available date: Jan. 18, 2021 [site visited Feb. 14, 2022] Available: <https://www.amazon.com/Outdoor-ATUPEN-Security-Waterproof-illumination/dp/B08T9F2MM1/ref=psdc_495238_t2_B092NV7R38?th=1> (Year: 2021).*

* cited by examiner

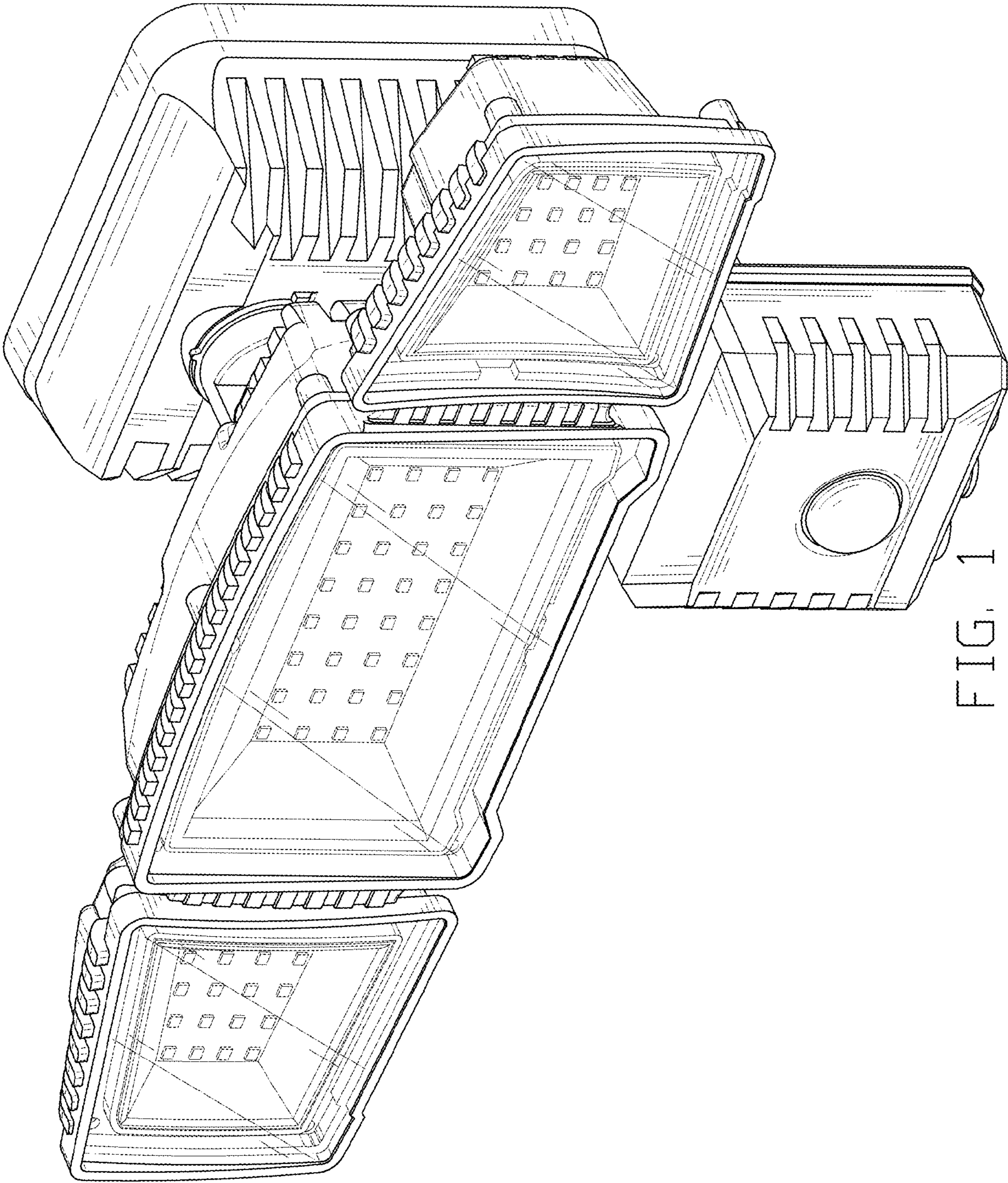


FIG. 1

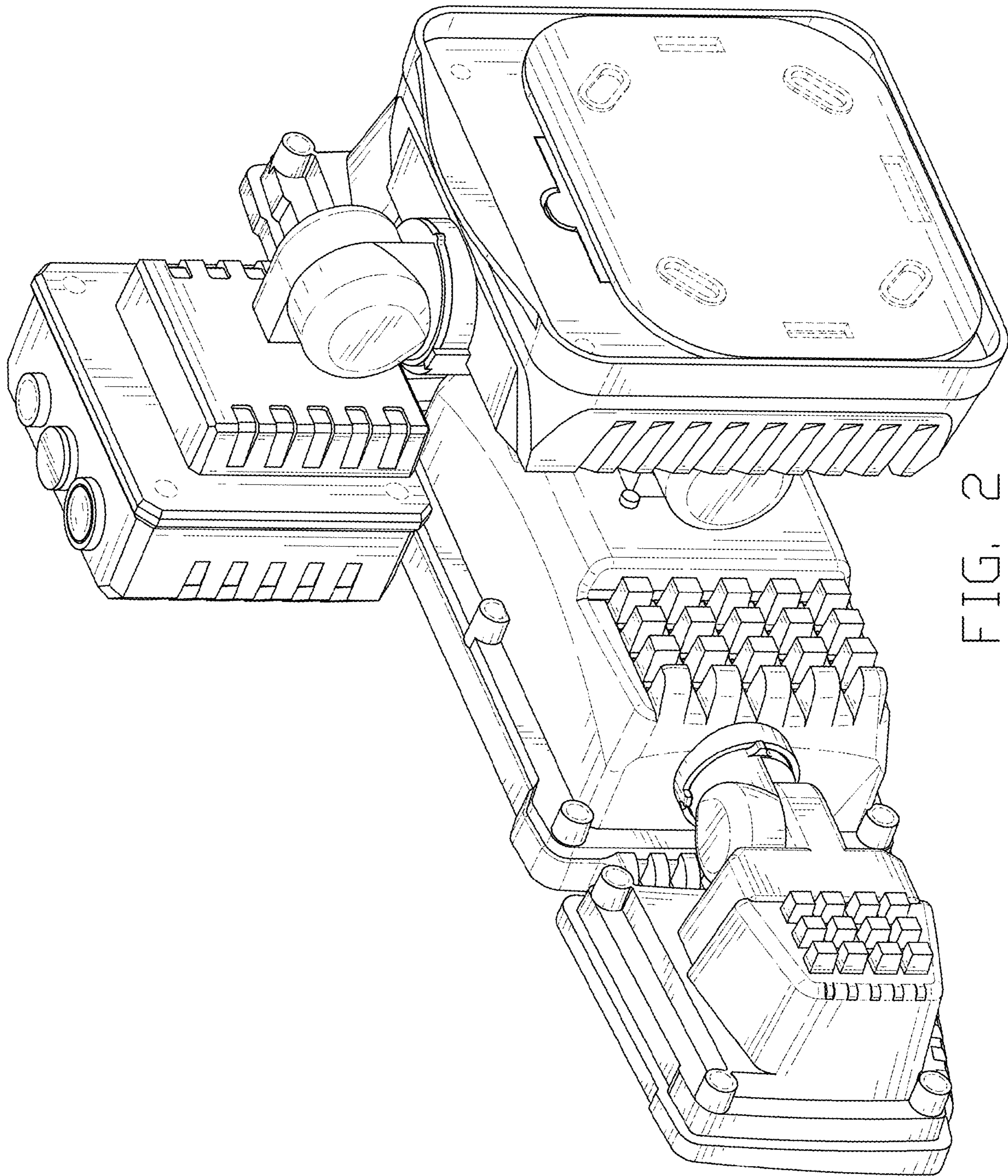


FIG. 2

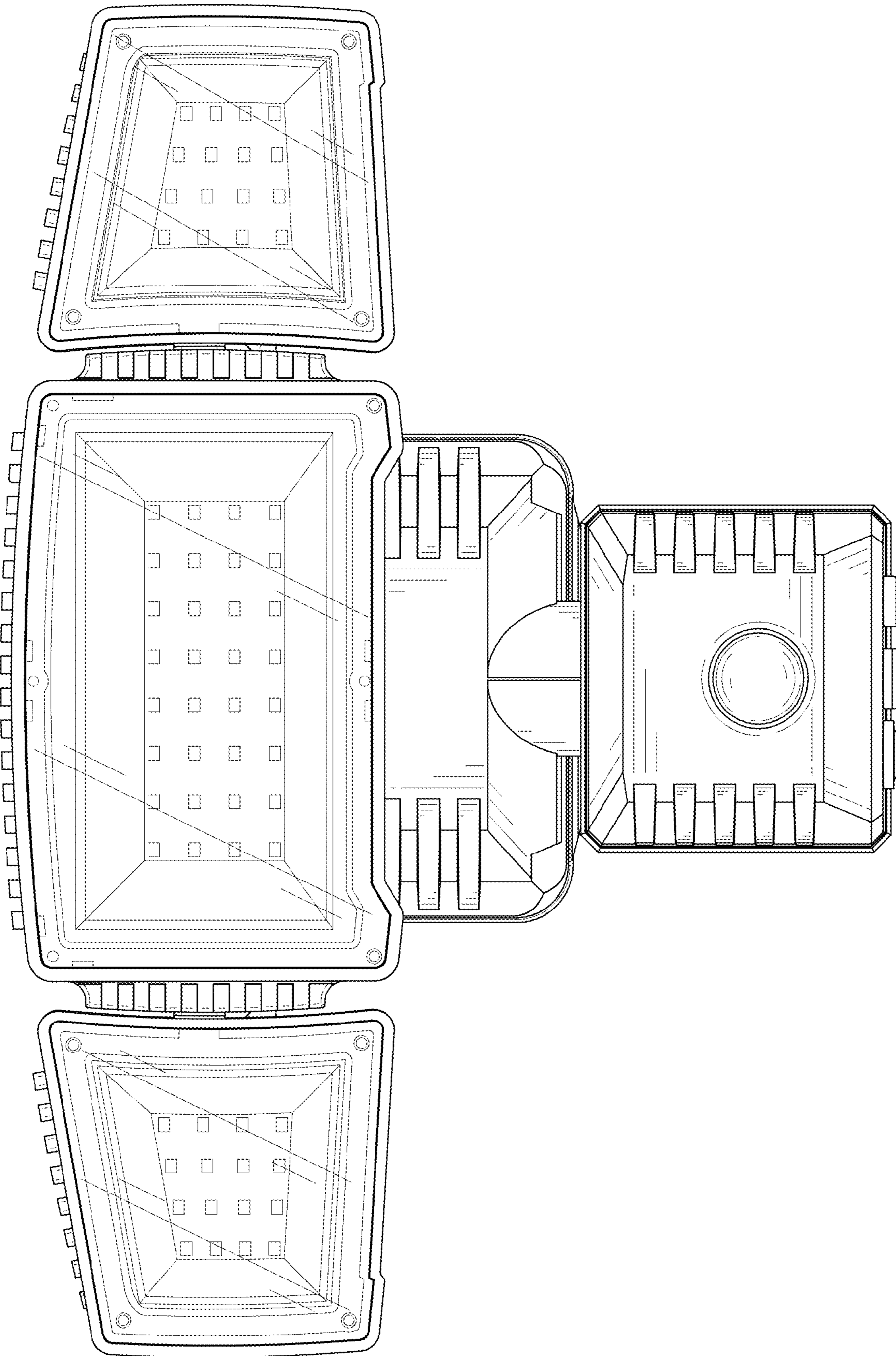


FIG. 3

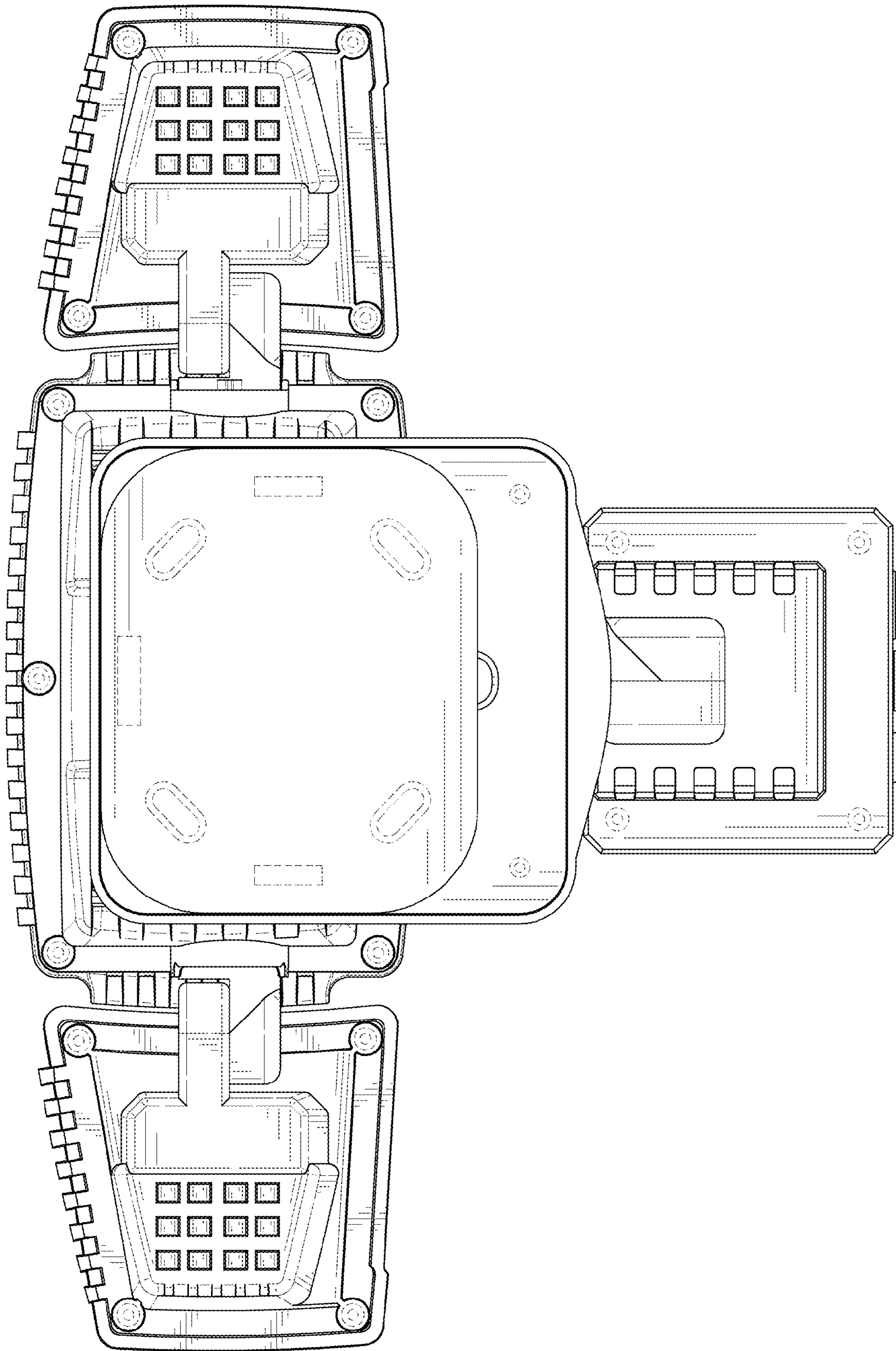
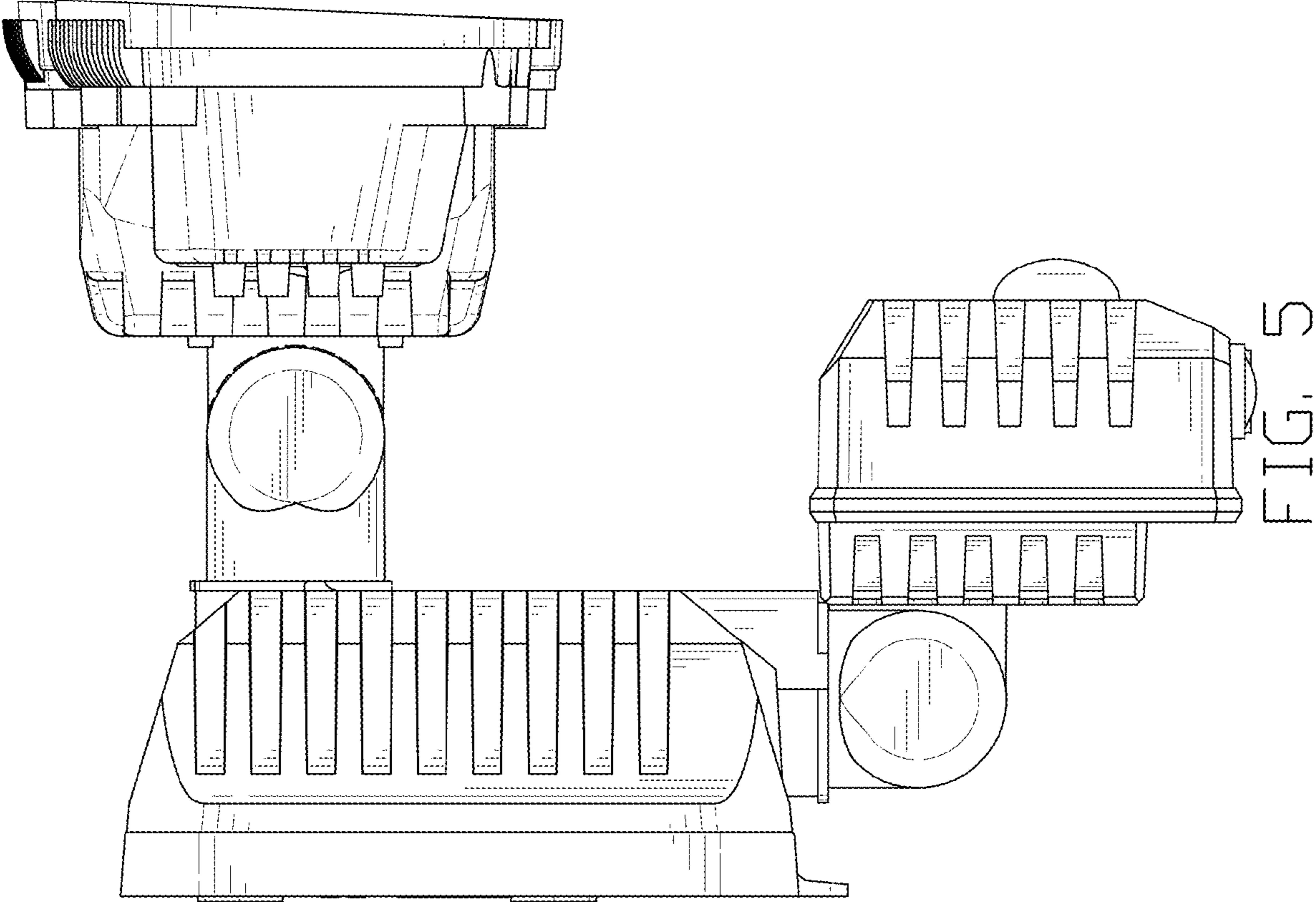
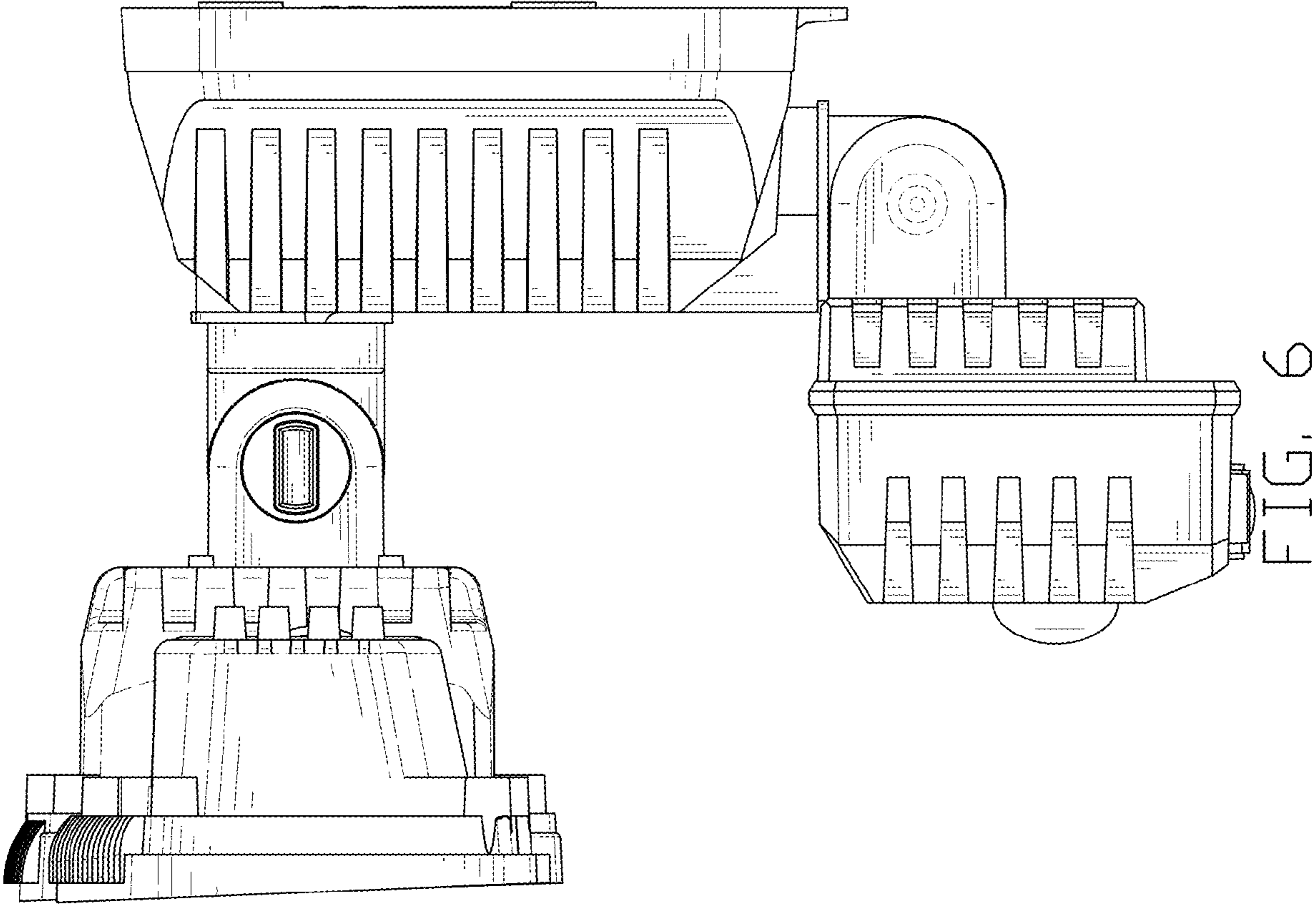


FIG. 4





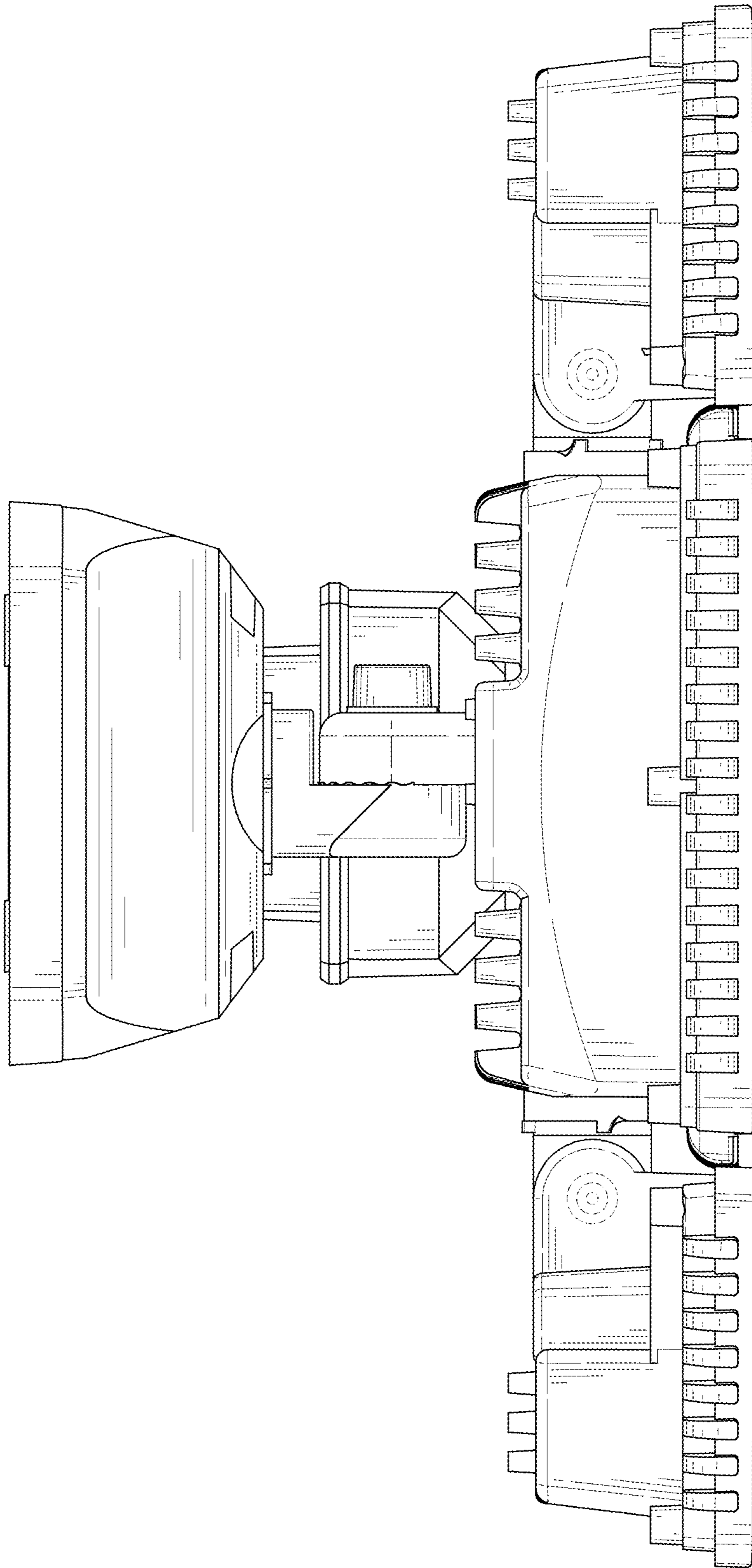


FIG. 7

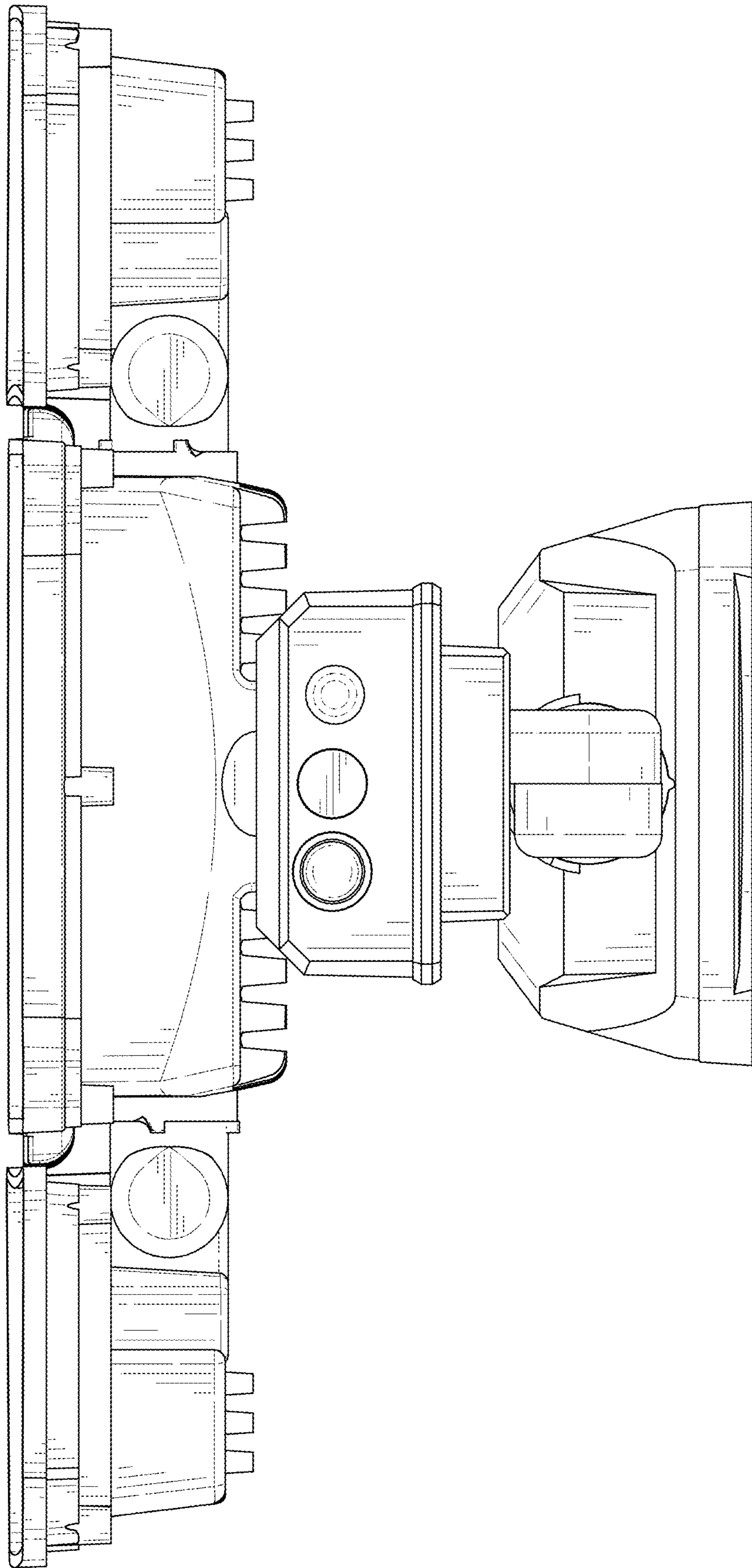


FIG. 8