



US00D950819S

(12) **United States Design Patent** (10) **Patent No.:** **US D950,819 S**
Guo (45) **Date of Patent:** **** May 3, 2022**

(54) **PLANT GROW LIGHT**

D932,672 S * 10/2021 Noga D26/42
D939,135 S * 12/2021 Lai D26/60
2010/0238644 A1* 9/2010 Huang F21V 23/04
362/33

(71) Applicant: **Hui Guo**, Guangdong (CN)

(72) Inventor: **Hui Guo**, Guangdong (CN)

* cited by examiner

(**) Term: **15 Years**

Primary Examiner — Wan Laymon
Assistant Examiner — Clint A Samuel

(21) Appl. No.: **29/784,740**

(57) **CLAIM**

(22) Filed: **May 21, 2021**

The ornamental design for a plant grow light, as shown and described.

(51) **LOC (13) Cl.** **26-05**

DESCRIPTION

(52) **U.S. Cl.**

USPC **D26/60**

(58) **Field of Classification Search**

USPC D26/4, 7, 16, 24, 25, 34, 42, 60, 61, 62,
D26/63, 73, 80, 86, 93, 102, 110, 150,
D26/151; D16/237, 239, 244, 245, 250
CPC .. F21S 8/036; F21S 8/043; F21S 8/081; F21S
8/083; F21S 8/088; F21S 6/003; F21S
6/004; F21S 6/005; F21Y 2103/00; F21Y
2103/10; F21Y 2103/20; F21Y 2107/30;
F21V 19/0095

See application file for complete search history.

FIG. 1 is a front and top perspective view of a plant grow light, showing my new design;
FIG. 2 is a rear and bottom perspective view thereof;
FIG. 3 is a front elevation view thereof;
FIG. 4 is a rear elevation view thereof;
FIG. 5 is a left side elevation view thereof;
FIG. 6 is a right side elevation view thereof;
FIG. 7 is a top plan view thereof; and
FIG. 8 is a bottom plan view thereof.

FIG. 9 is an enlarged view of a portion indicated with numeric 9 in FIG. 1;

FIG. 10 is an enlarged view of a portion indicated with numeric 10 in FIGS. 1; and,

FIG. 11 is an enlarged view of a portion indicated with numeric 11 in FIG. 2.

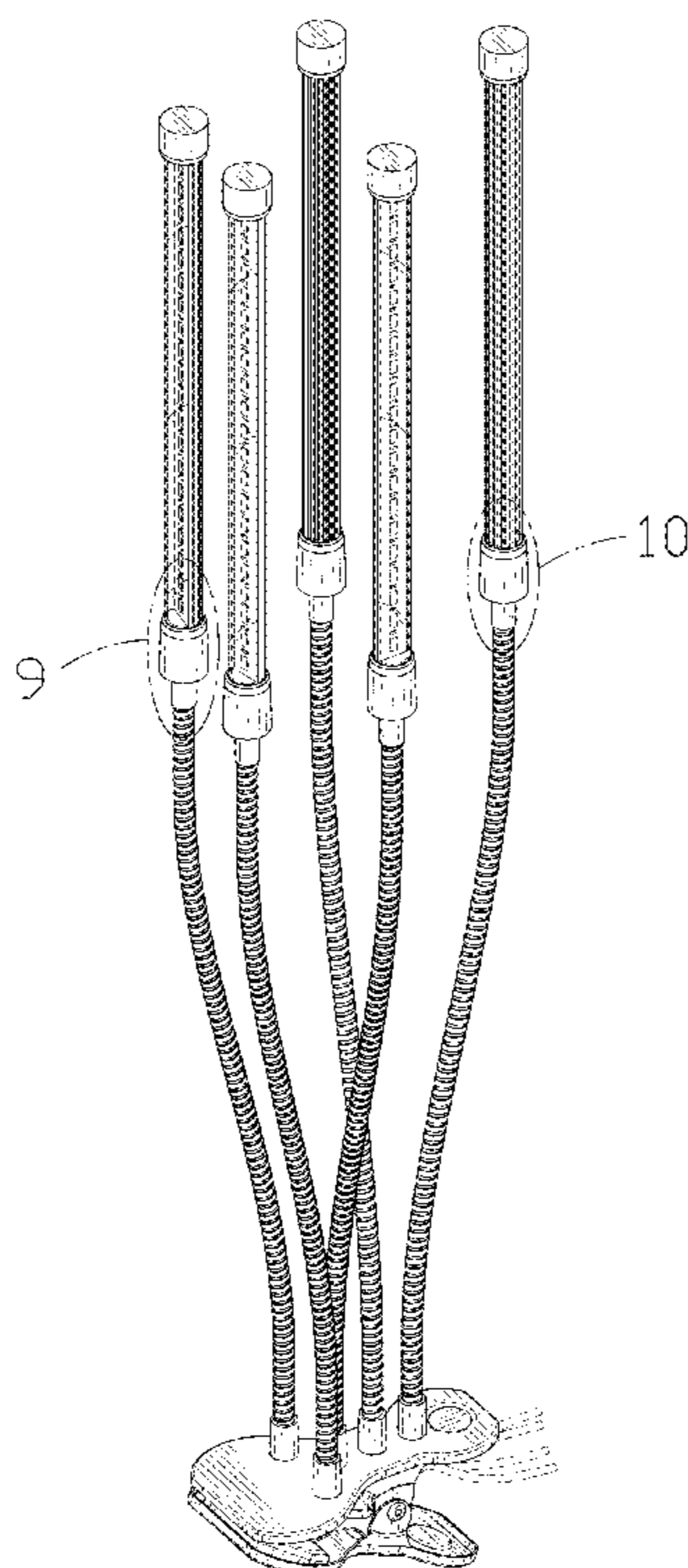
The broken lines in the figures illustrate portions of the plant grow light that form no part of the claimed design. The dash dot dash lines in FIGS. 1, 2, 9, 10 and 11 are for the purpose of depicting the cut line of the enlarged view and form no part of the claim.

(56) **References Cited**

U.S. PATENT DOCUMENTS

D822,877 S * 7/2018 Kaiser D26/107
D838,887 S * 1/2019 Su D26/60
D870,346 S 12/2019 Deng
D875,286 S * 2/2020 Noga D26/42
D878,654 S * 3/2020 Lin D26/60
D921,255 S * 6/2021 Jia D26/60
D925,800 S * 7/2021 He D26/60

1 Claim, 11 Drawing Sheets



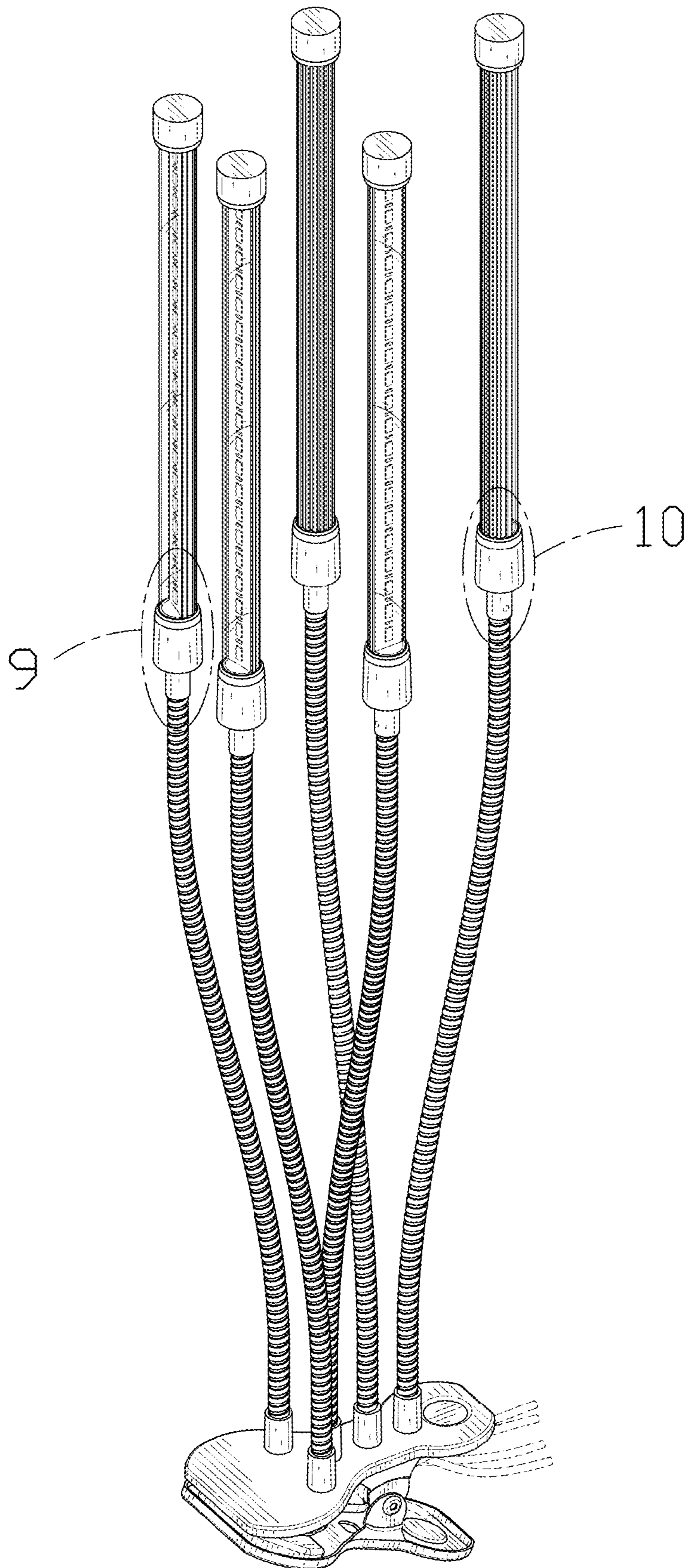


FIG. 1

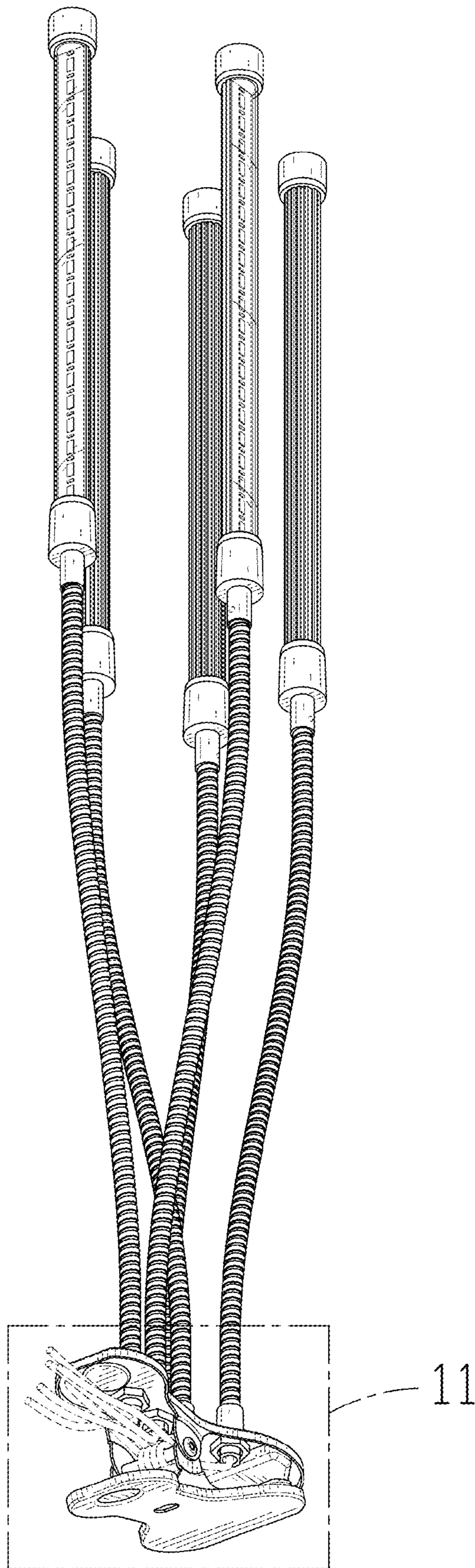


FIG. 2

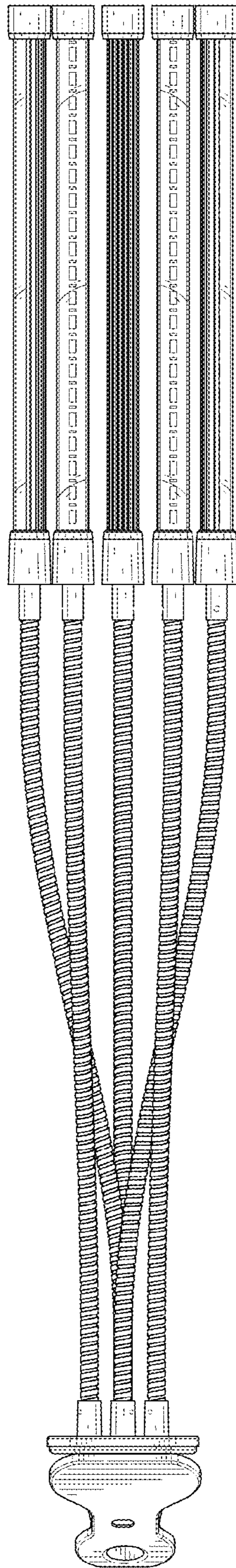


FIG. 3

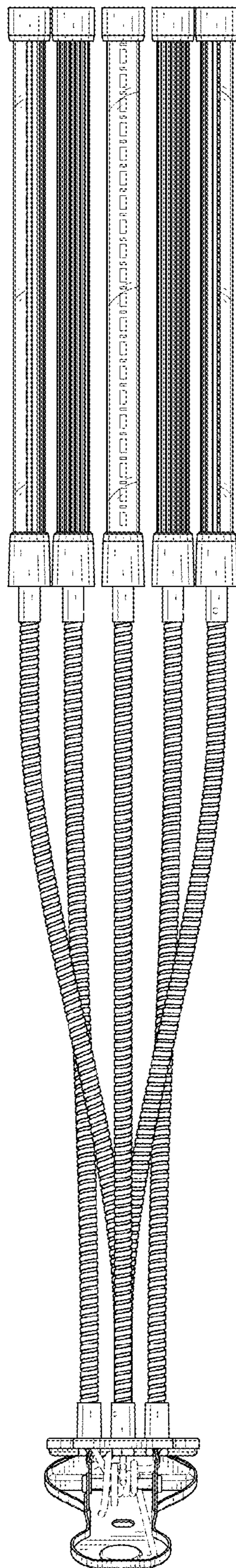


FIG. 4

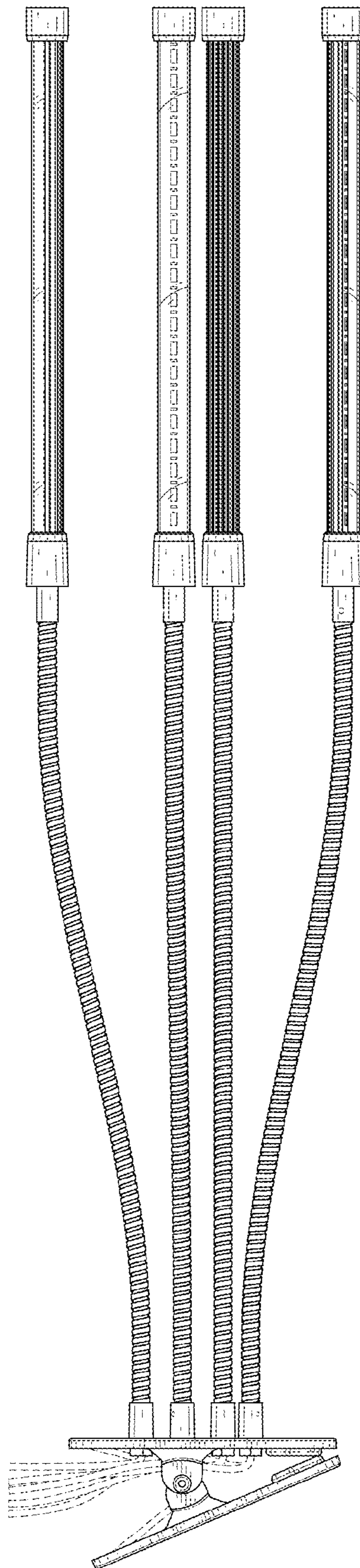


FIG. 5

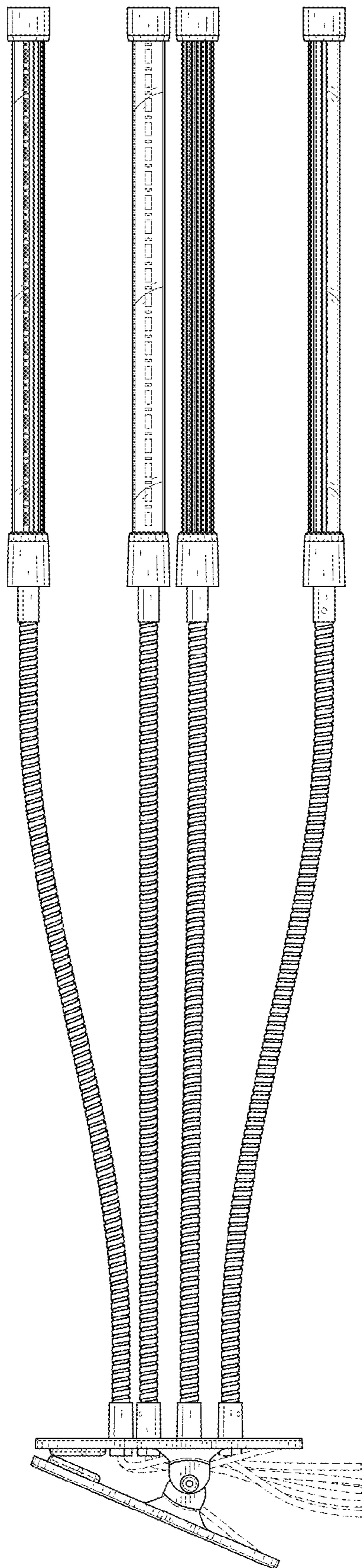


FIG. 6

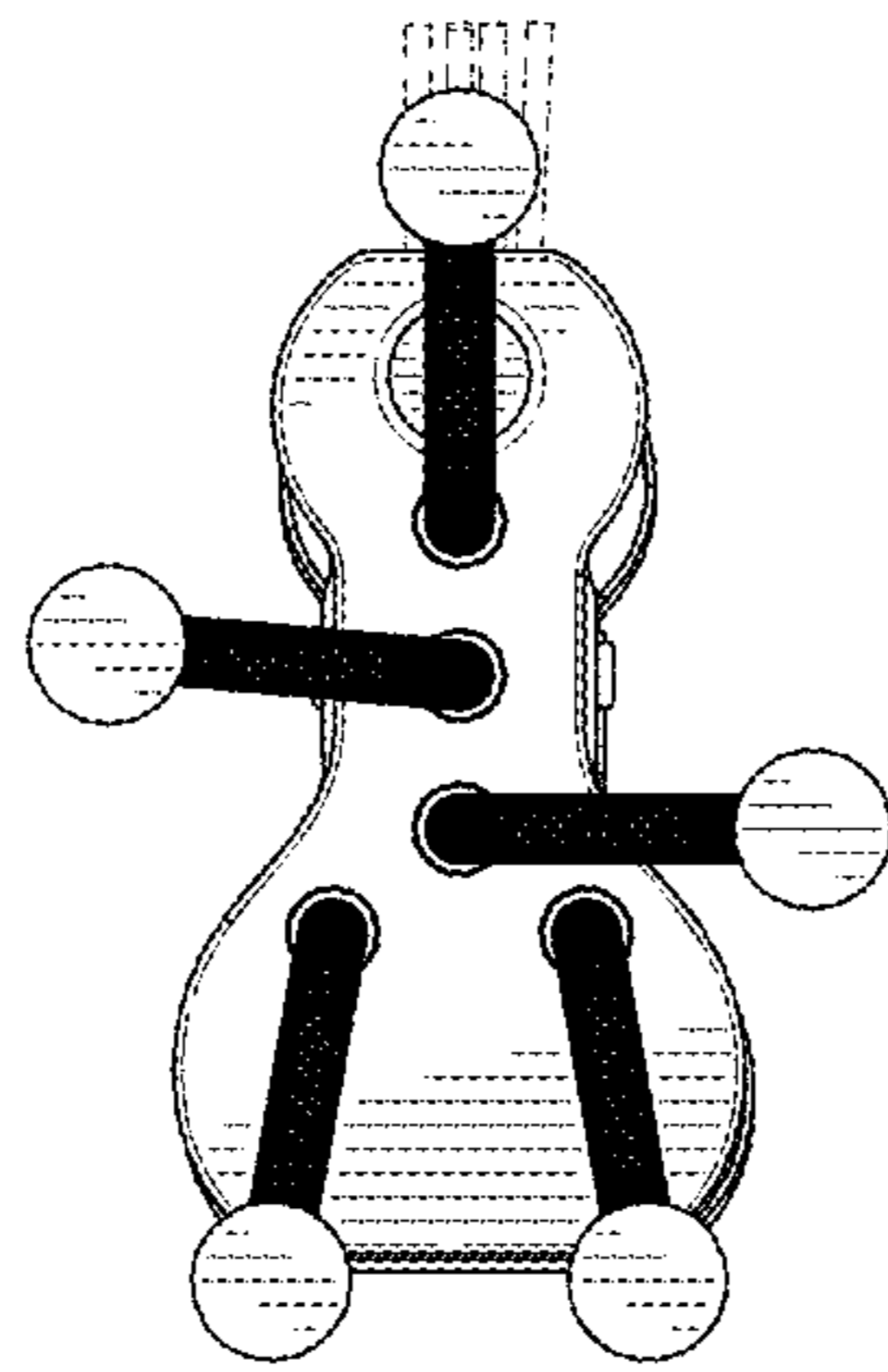


FIG. 7

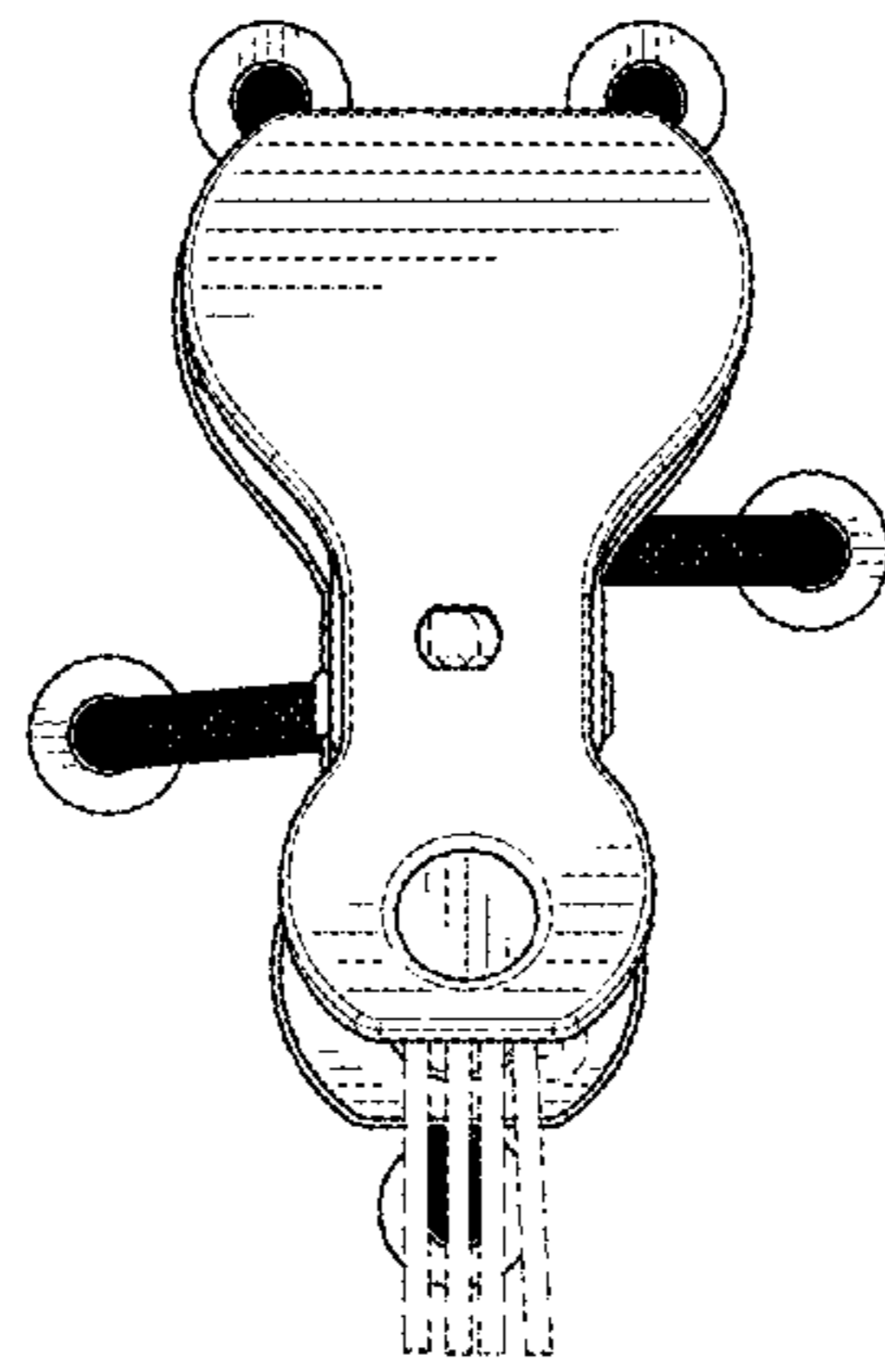


FIG. 8

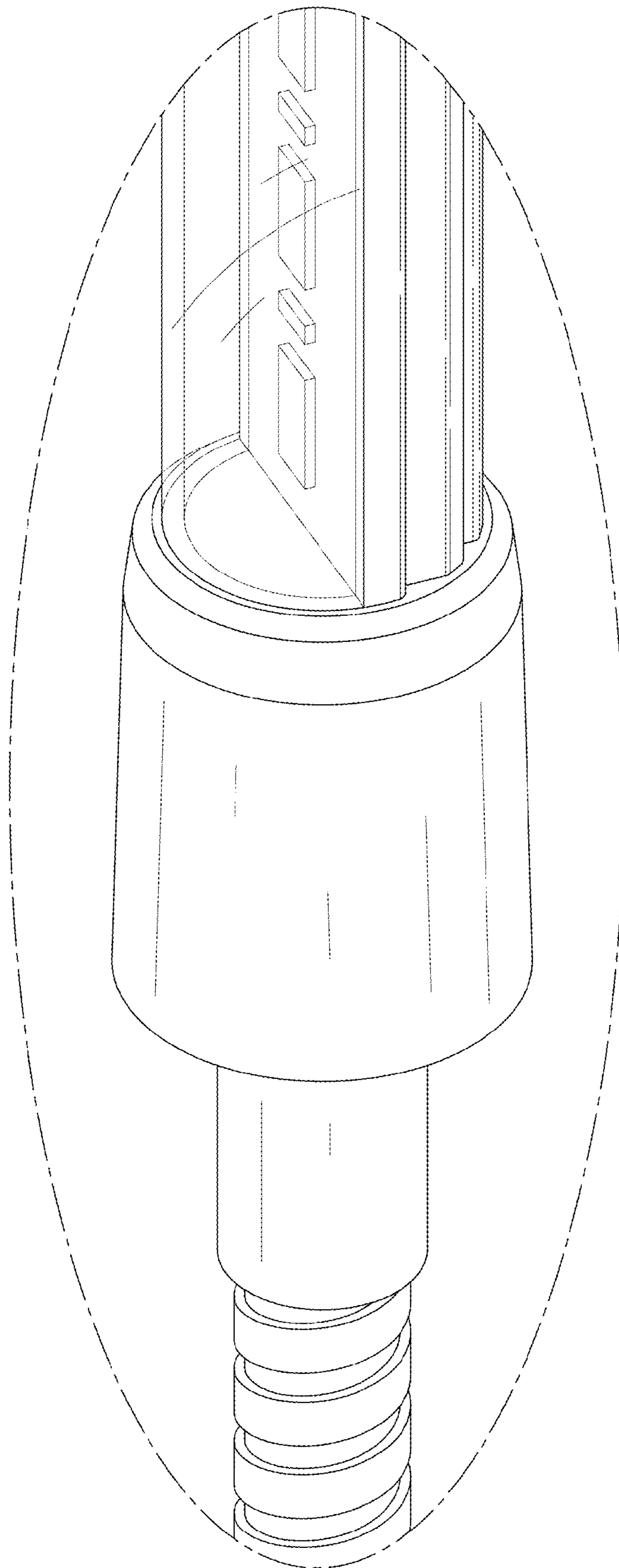


FIG. 9

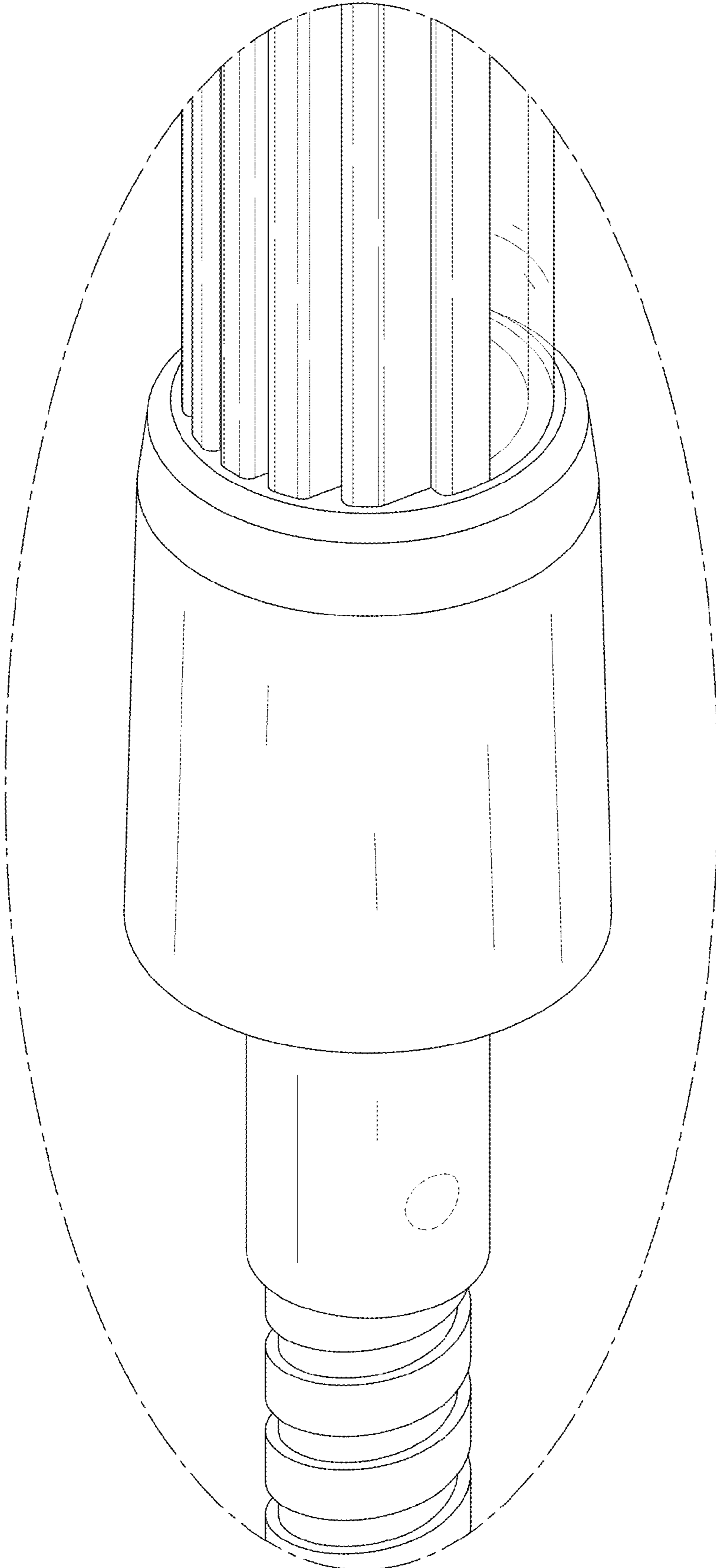


FIG. 10

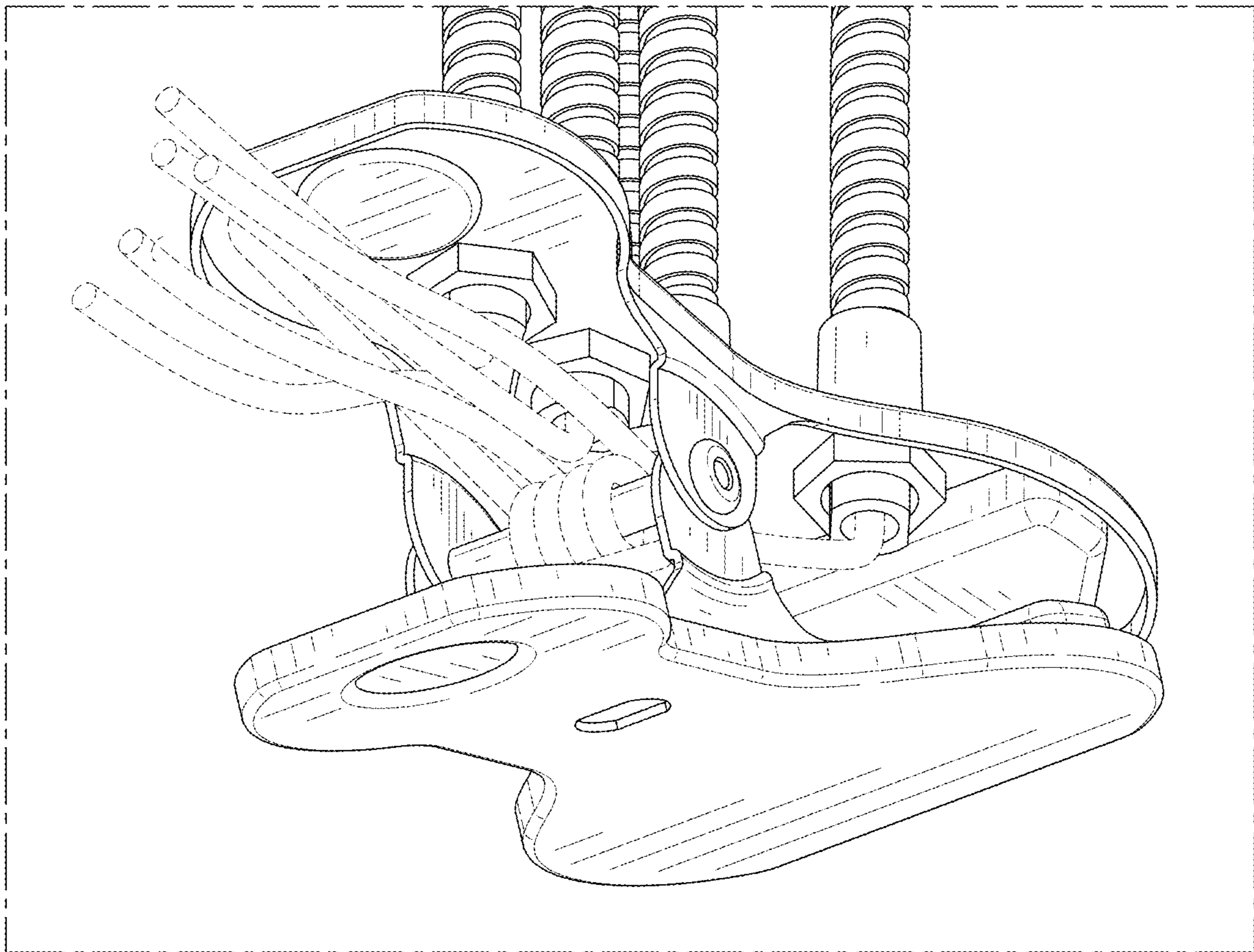


FIG. 11