



US00D950818S

(12) **United States Design Patent** (10) **Patent No.:** **US D950,818 S**
Sharrah et al. (45) **Date of Patent:** **** May 3, 2022**

(54) **LIGHTING DEVICE**
(71) Applicant: **Streamlight, Inc.**, Eagleville, PA (US)
(72) Inventors: **Jonathan R. Sharrah**, Phoenixville, PA (US); **W. Ross McLennan**, Perkasie, PA (US); **Raymond L. Sharrah**, Collegeville, PA (US)
(73) Assignee: **Streamlight, Inc.**, Eagleville, PA (US)
(**) Term: **15 Years**
(21) Appl. No.: **29/740,925**
(22) Filed: **Jul. 8, 2020**
(51) **LOC (13) Cl.** **26-02**
(52) **U.S. Cl.**
USPC **D26/46**
(58) **Field of Classification Search**
USPC D26/24, 37-52, 60, 113, 118
CPC F21Y 2115/10; F21Y 2113/13; F21Y 2103/10; F21Y 2101/00; F21Y 2107/40; F21Y 2105/10; F21Y 2105/18; F21Y 2113/00; F21Y 2113/10; F21Y 2113/17; F21Y 2113/20; F21L 4/005; F21L 4/027; F21L 4/085; F21L 4/08; F21L 4/045; F21L 4/00; F21L 4/02; F21L 4/022; F21L 4/04; F21L 4/025; F21L 13/00; F21L 14/02; F21L 2/00; F21V 23/0414; F21V 23/0428; F21V 21/0965; F21V 23/0421; F21V 15/01; F21V 21/0885; F21V 21/406; F21V 23/0407; F21V 23/06; F21V 33/0064; F21V 33/0084; F21V 14/025; F21V 23/003; F21V 23/04; F21V 14/065; F21V 21/084; F21V 21/08; F21V 21/30; F21V 23/0435; F21V 31/00; F21V 31/005; F21V 33/0076; F21V 33/008; F21V 5/006; F21V 7/0075; F21V 14/045; F21V 15/012; F21V 17/12; F21V 19/02; F21V 21/0816; F21V 21/0925; F21V 23/0464; F21V 23/0471; F21V 5/04; F21V 13/045; F21V 17/002; F21V

21/096; F21V 21/145; F21V 23/023; F21V 23/0442; F21V 29/70; F21V 33/0068; F21V 3/00; F21V 9/083; F21V 9/20; F21V 13/14; F21V
(Continued)

(56) **References Cited**

U.S. PATENT DOCUMENTS

D485,626 S * 1/2004 Parker D26/37
D497,446 S * 10/2004 Kingston D26/37
(Continued)

OTHER PUBLICATIONS

iW4R. By Ledlenser. Dated Apr. 17, 2019. Found online [Sep. 30, 2021]. <https://www.lidlenser.com/uk/products/worklights/i-series/iw4r/>(Year: 2019).*

(Continued)

Primary Examiner — Marissa J Cash
Assistant Examiner — William B Melliar
(74) *Attorney, Agent, or Firm* — Quarles & Brady LLP; James J. Aquilina

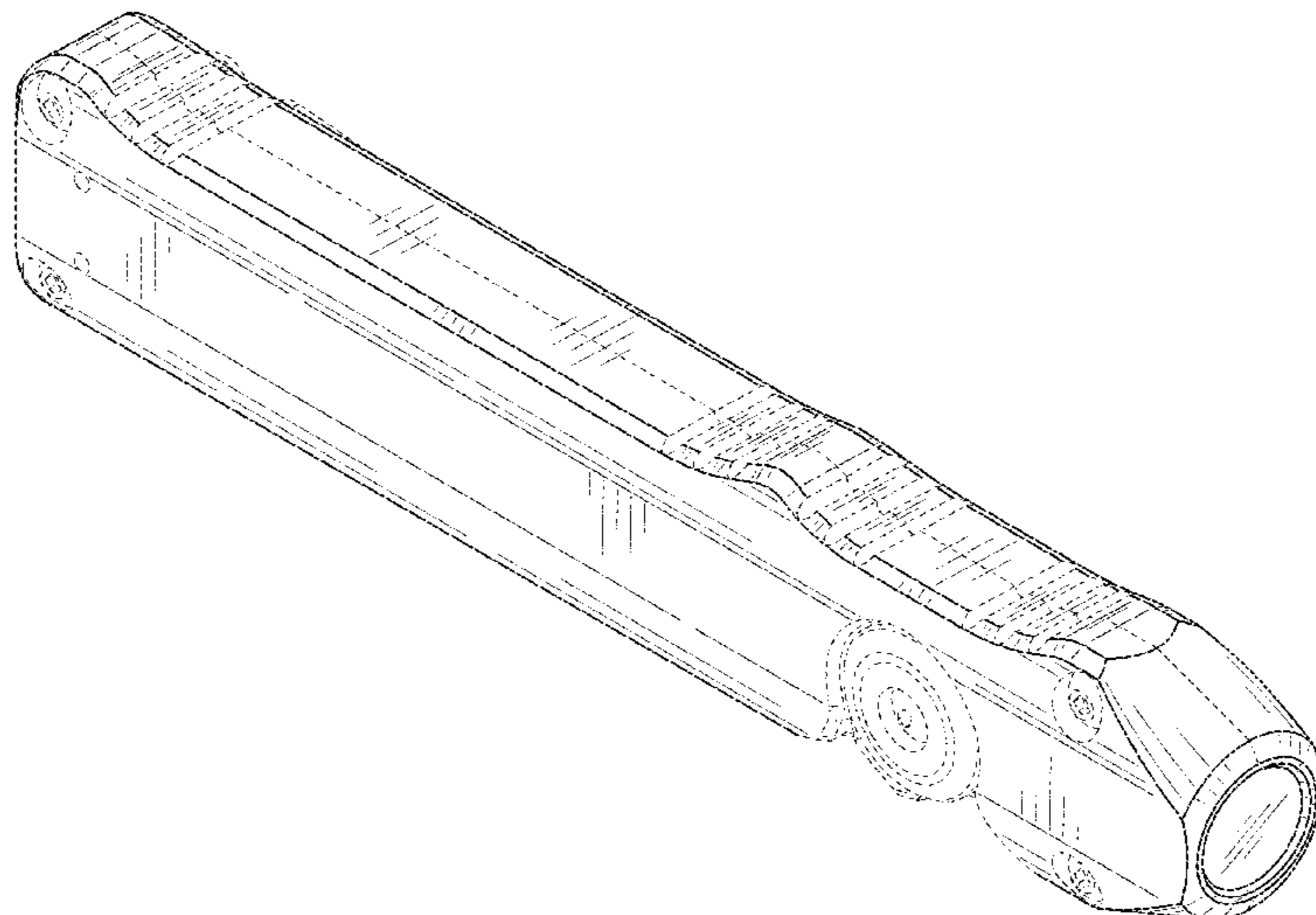
(57) **CLAIM**

The ornamental design for a lighting device, as shown and described.

DESCRIPTION

FIG. 1 is a bottom, right, and front perspective view of a lighting device showing our new design; FIG. 2 is a front elevation view thereof; FIG. 3 is a rear elevation view thereof; FIG. 4 is a left side elevation view thereof; FIG. 5 is a right side elevation view thereof; FIG. 6 is a top plan view thereof; and, FIG. 7 is a bottom plan view thereof. The dashed broken lines in the Figures show portions of the lighting device that form no part of the claimed design.

1 Claim, 4 Drawing Sheets



(58) **Field of Classification Search**

CPC 14/04; F21V 14/06; F21V 15/00; F21V 17/02; F21V 17/06; F21V 17/10; F21V 17/105; F21V 17/107; F21V 19/001; F21V 19/047; F21V 21/00; F21V 21/002; F21V 21/06; F21V 21/14; F21V 21/22; F21V 21/26; F21V 21/32; F21V 23/001; F21V 23/002; F21V 23/005; F21V 23/02; F21V 23/045; F21V 23/0492; F21V 25/04; F21V 29/15; F21V 29/503; F21V 29/508; F21V 29/713; F21V 29/763; F21V 29/767; F21V 29/89; F21V 29/90; F21V 33/00; F21V 33/0004; F21V 33/0052; F21V 3/02; F21V 5/00; F21V 5/008; F21V 5/046; F21V 5/048; F21V 5/08; F21V 7/0008; F21V 7/0083; F21V 7/04; F21V 7/041; F21V 7/06; F21V 7/22; F21V 7/24

See application file for complete search history.

(56) **References Cited**

U.S. PATENT DOCUMENTS

D566,312 S * 4/2008 Lui D26/37
D670,581 S * 11/2012 Matuschek D10/70

D750,821 S * 3/2016 Rusay D26/37
D754,377 S * 4/2016 Nook D26/38
D779,092 S * 2/2017 Xu D26/37
D791,379 S * 7/2017 Koshiba D26/37
D816,876 S * 5/2018 Bao D26/37
D838,395 S * 1/2019 Nguyen D26/46
D875,285 S * 2/2020 Prieto D26/37
D880,740 S * 4/2020 Galli D26/46
D889,715 S * 7/2020 Nguyen D26/46
D890,396 S * 7/2020 Bertken D26/37
D891,659 S * 7/2020 Tu D26/37
D898,245 S * 10/2020 Xu D26/28
D924,453 S * 7/2021 Guo D26/37
D925,081 S * 7/2021 Ke D26/37

OTHER PUBLICATIONS

SureFire Stiletto Pro. By SureFire. Dated Nov. 25, 2019. Found online [Sep. 30, 2021]. https://www.amazon.com/SureFire-Stiletto-Multi-Output-Rechargeable-Flashlight/dp/B0818HTLVF/ref=sr_1_10?dchild=1&keywords=surefire+flashlight&qid=1633033093&sr=8-10 (Year: 2019).*

* cited by examiner

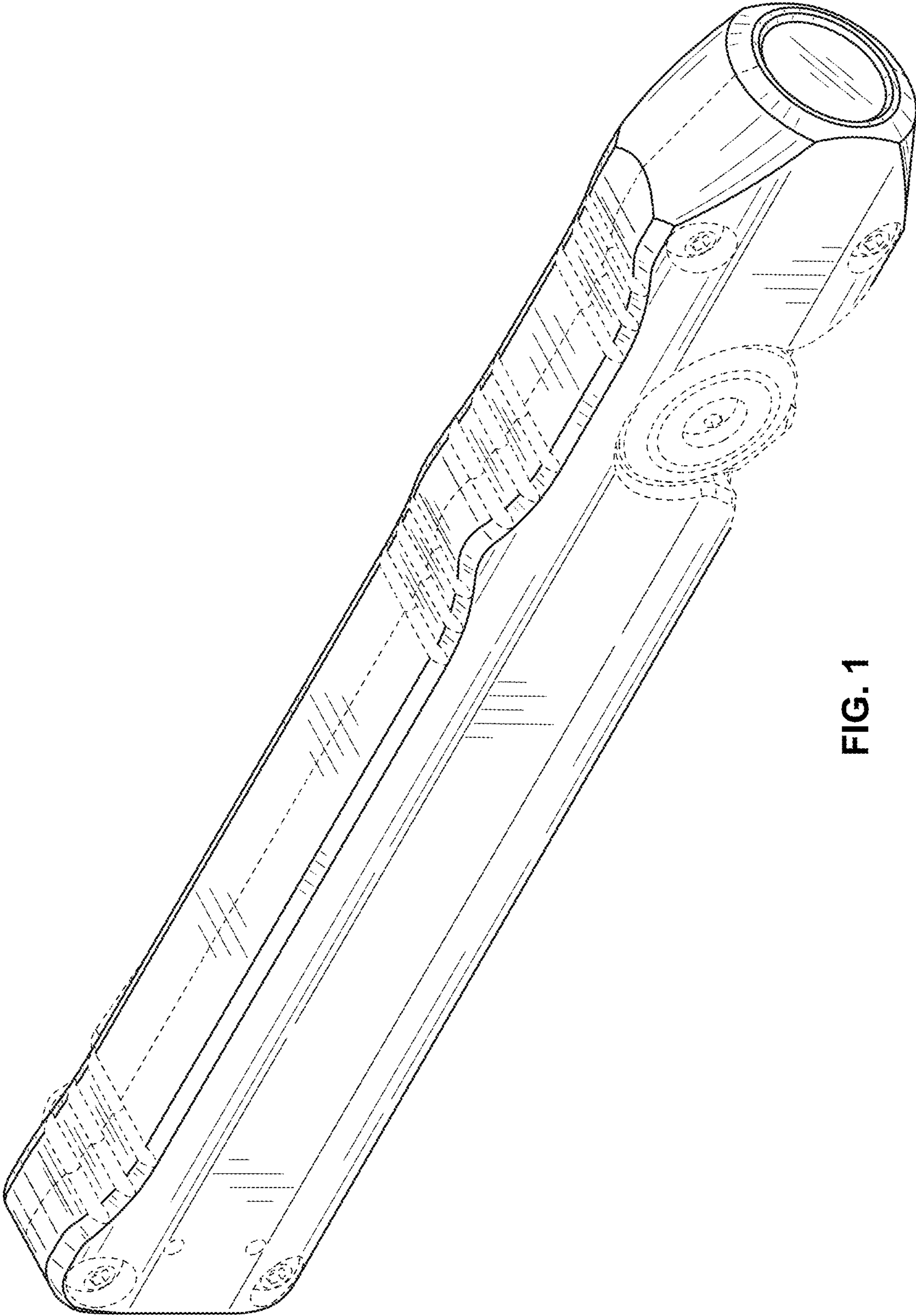


FIG. 1

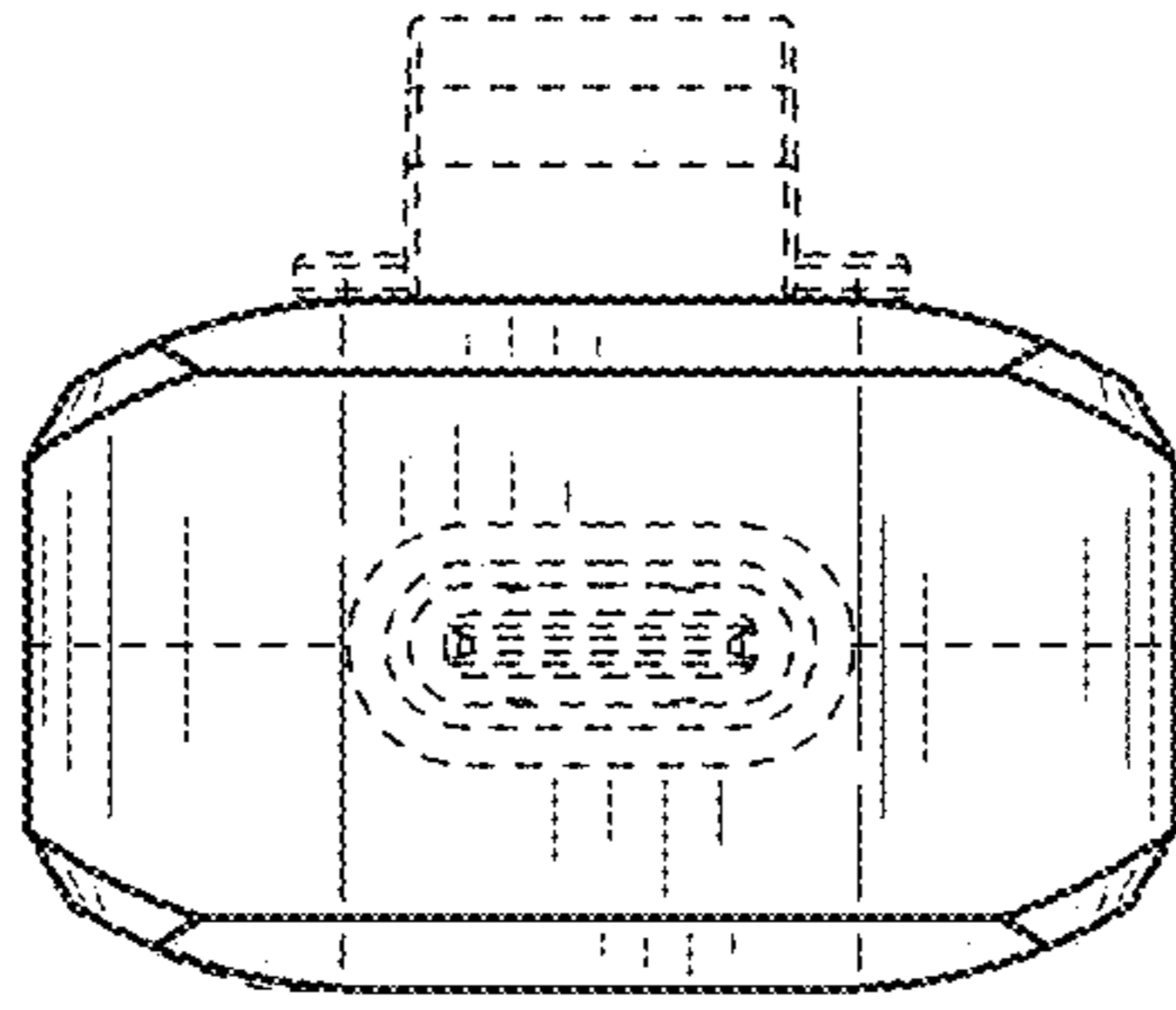


FIG. 3

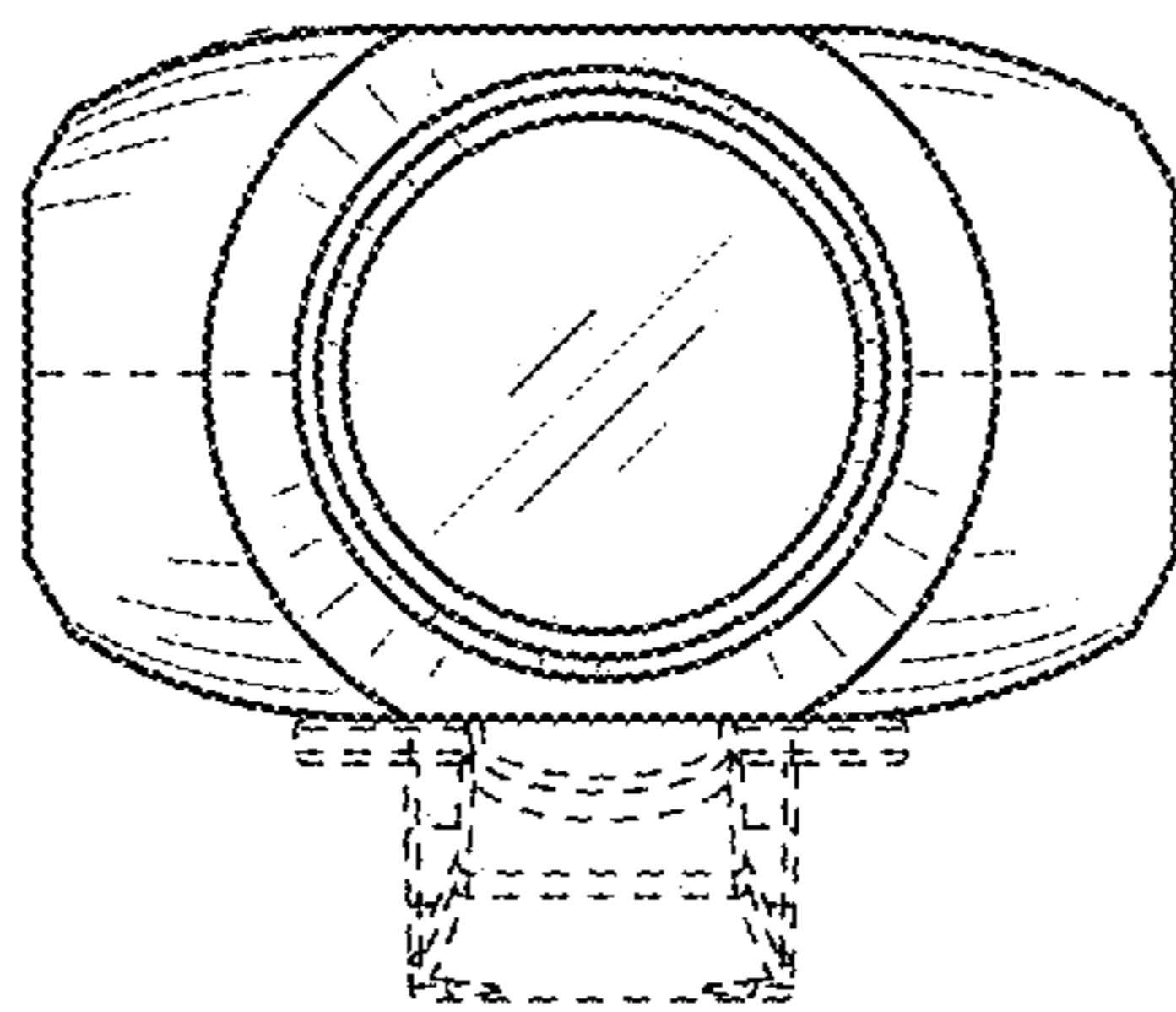


FIG. 2

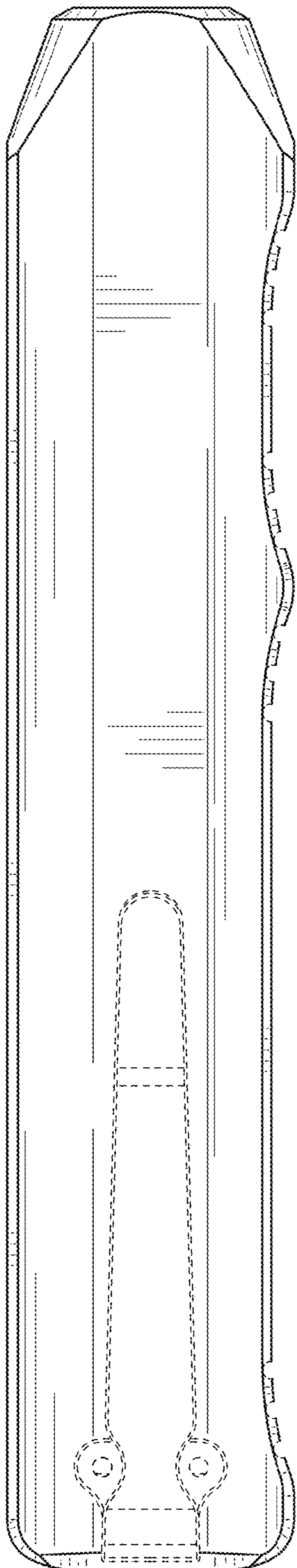


FIG. 4

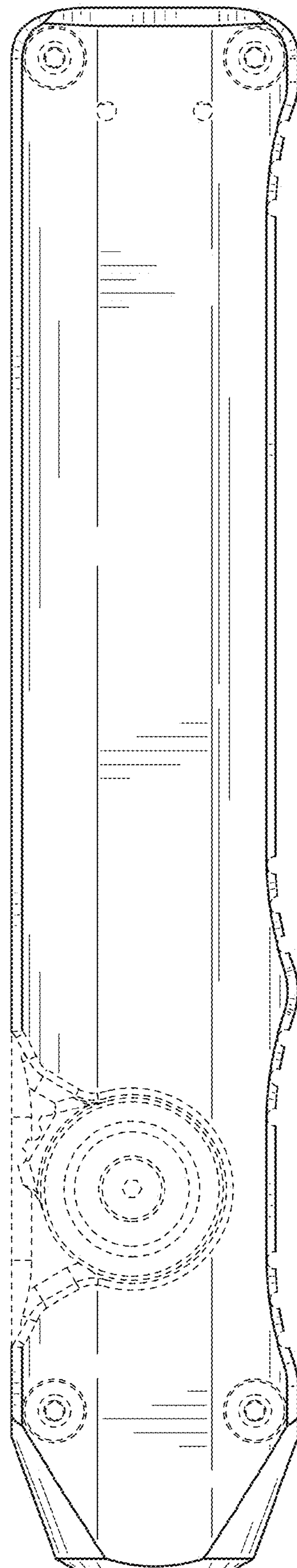


FIG. 5

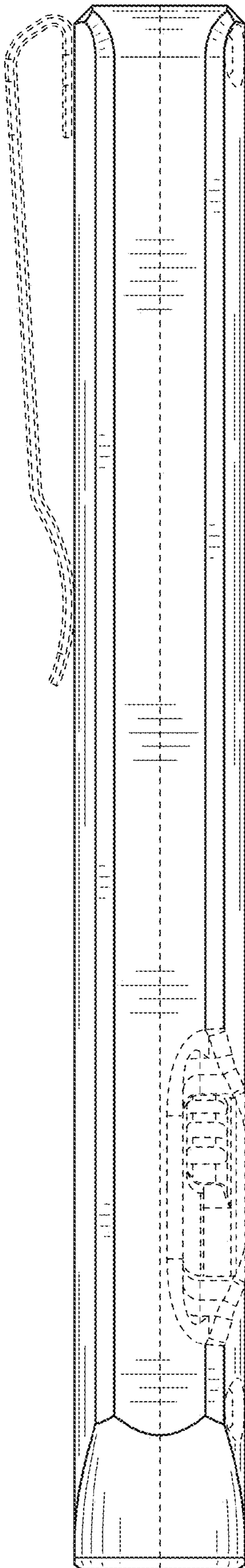


FIG. 6

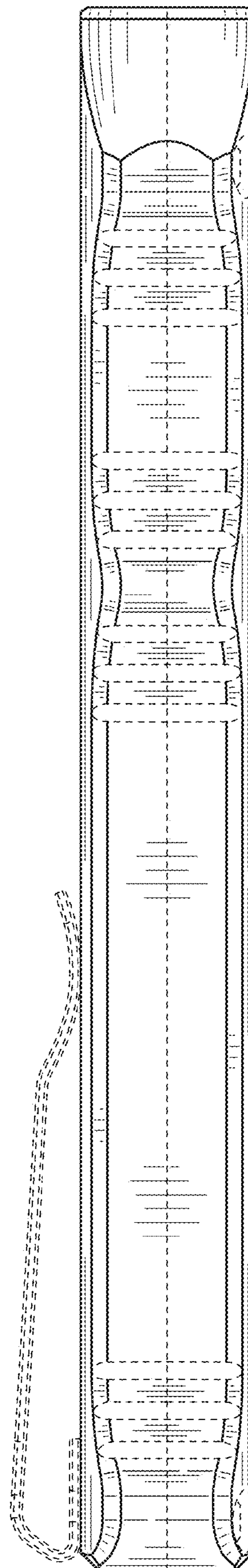


FIG. 7