



US00D950805S

(12) **United States Design Patent**
Tsai

(10) **Patent No.:** **US D950,805 S**

(45) **Date of Patent:** **** May 3, 2022**

(54) **VEHICLE LIGHT**

(71) Applicant: **JUN YAN AUTO INDUSTRIAL CO., LTD.**, Tainan (TW)

(72) Inventor: **Ming-Hsien Tsai**, Tainan (TW)

(73) Assignee: **Jun Yan Auto Industrial Co., Ltd.**, Tainan (TW)

(**) Term: **15 Years**

(21) Appl. No.: **29/740,106**

(22) Filed: **Jul. 1, 2020**

(51) **LOC (13) Cl.** **26-06**

(52) **U.S. Cl.**
USPC **26/28**

(58) **Field of Classification Search**

USPC D26/28, 29, 30, 31, 32, 33, 34, 35, 36

CPC F21S 41/00; F21S 41/141; F21S 41/162;

F21S 41/20; F21S 41/18; F21S 41/33;

F21S 41/36; F21S 41/60; F21S 43/00;

F21V 21/04; F21W 2103/35; F21W

2103/40; F21W 2104/00; F21W 2107/17;

F21W 2107/13

See application file for complete search history.

(56) **References Cited**

U.S. PATENT DOCUMENTS

D593,691 S * 6/2009 Habib D26/28

D642,712 S * 8/2011 Ishigaki D26/28

D787,721 S * 5/2017 Lai D26/28

D787,723 S * 5/2017 Wu D26/28

D789,571 S * 6/2017 Sauzay D26/28

D837,423 S * 1/2019 Wu D26/28

D923,833 S * 6/2021 Chen D26/28

D928,997 S * 8/2021 Korpi D26/24

D939,117 S * 12/2021 Dos Santos D26/28

* cited by examiner

Primary Examiner — Angela J Lee

Assistant Examiner — Nishaad Sebastian Lorenzo

(74) *Attorney, Agent, or Firm* — Rosenberg, Klein & Lee

(57) **CLAIM**

The ornamental design for a vehicle light, as shown and described.

DESCRIPTION

FIG. 1 is a perspective view of a vehicle light showing my new design;

FIG. 2 is a front elevational view thereof;

FIG. 3 is a rear elevational view thereof;

FIG. 4 is a left side elevational view thereof;

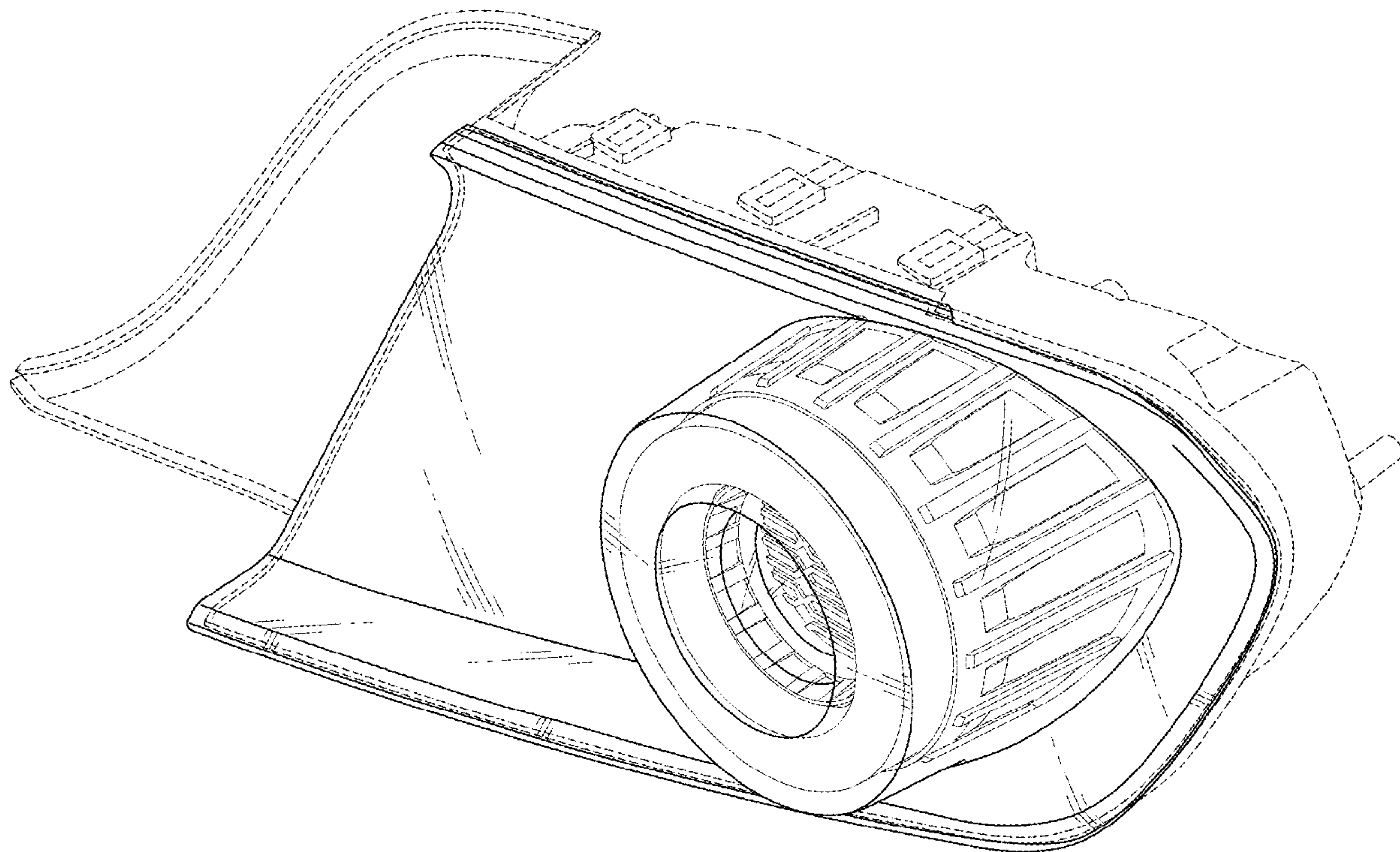
FIG. 5 is a right side elevational view thereof;

FIG. 6 is a top plan view thereof; and,

FIG. 7 is a bottom plan view thereof.

The broken lines shown in the figures are included for illustrating unclaimed portions of the vehicle light and form no part of the claimed design.

1 Claim, 7 Drawing Sheets



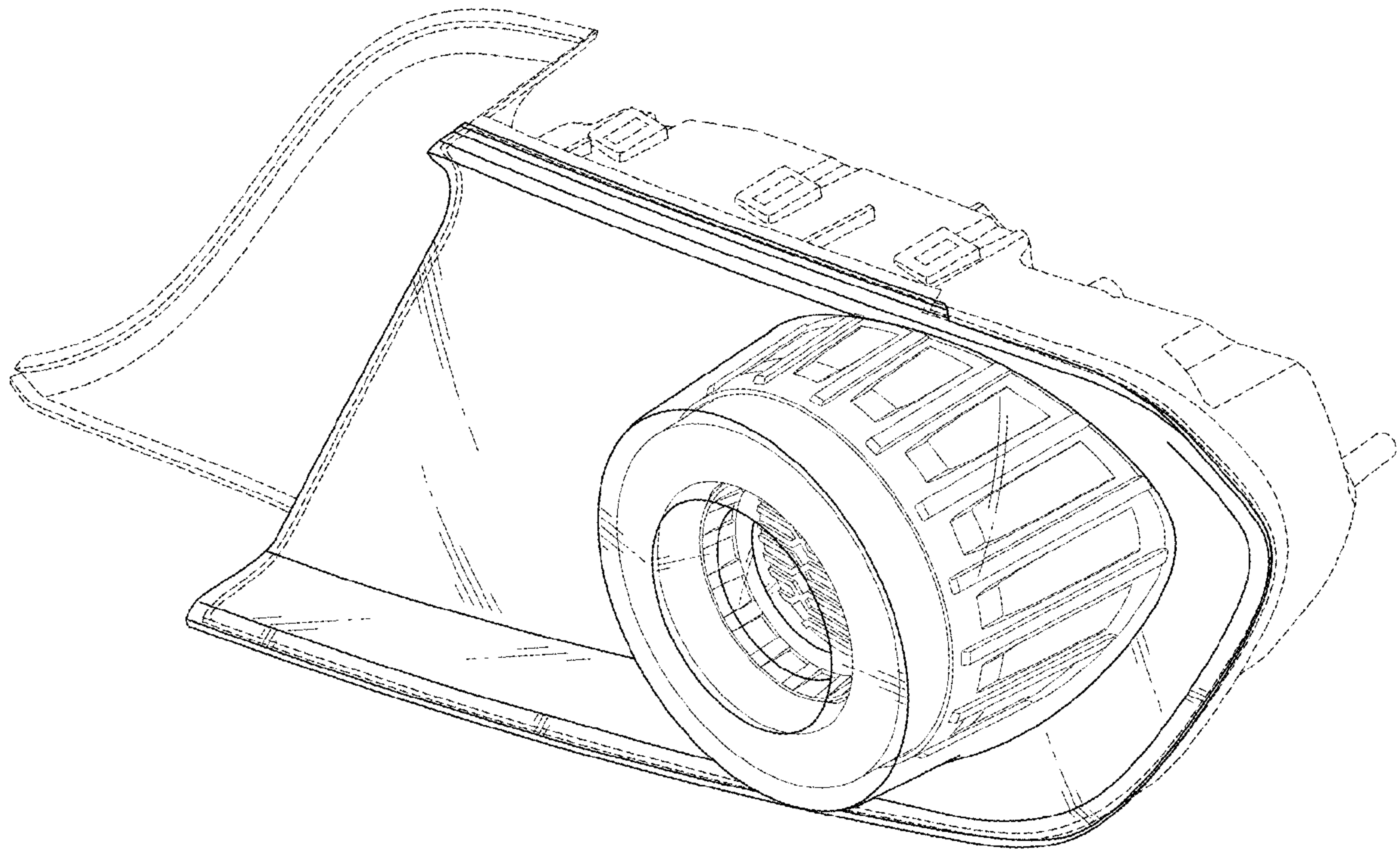


FIG. 1

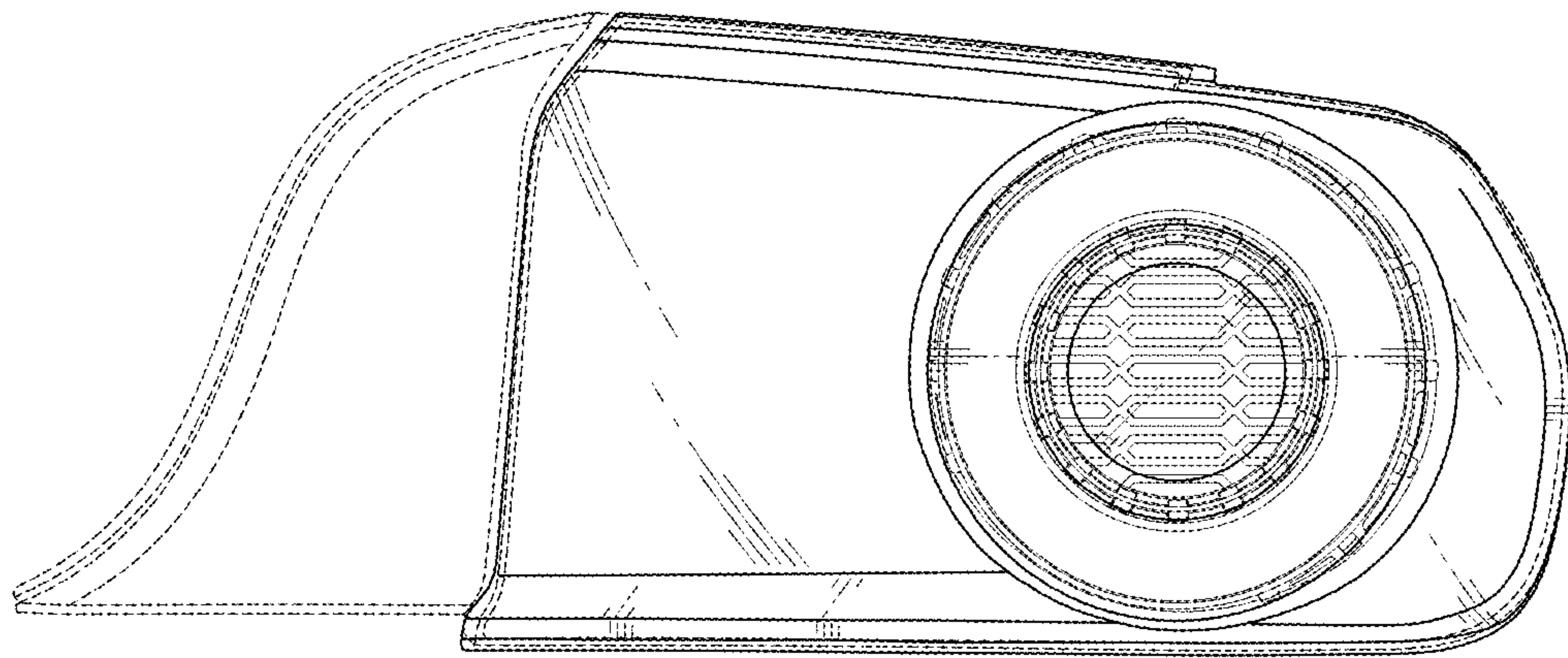


FIG. 2

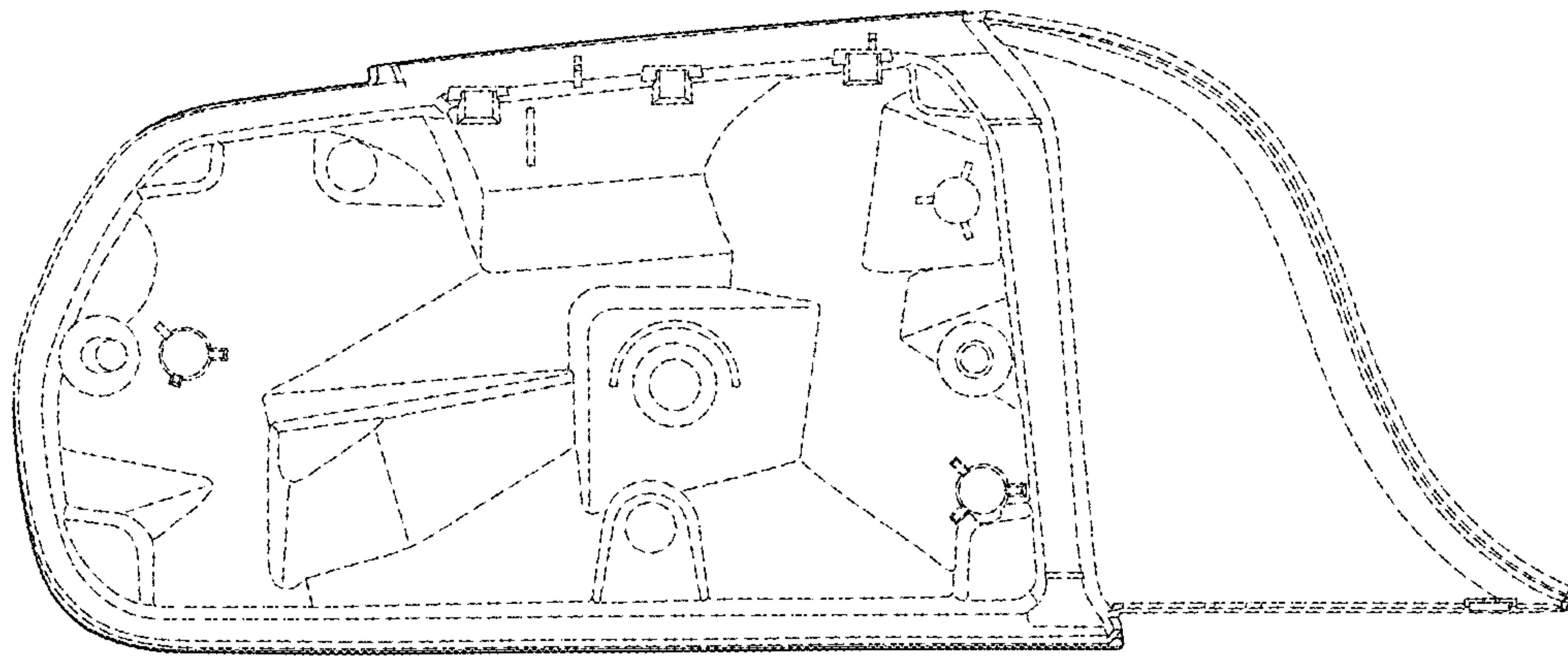


FIG. 3

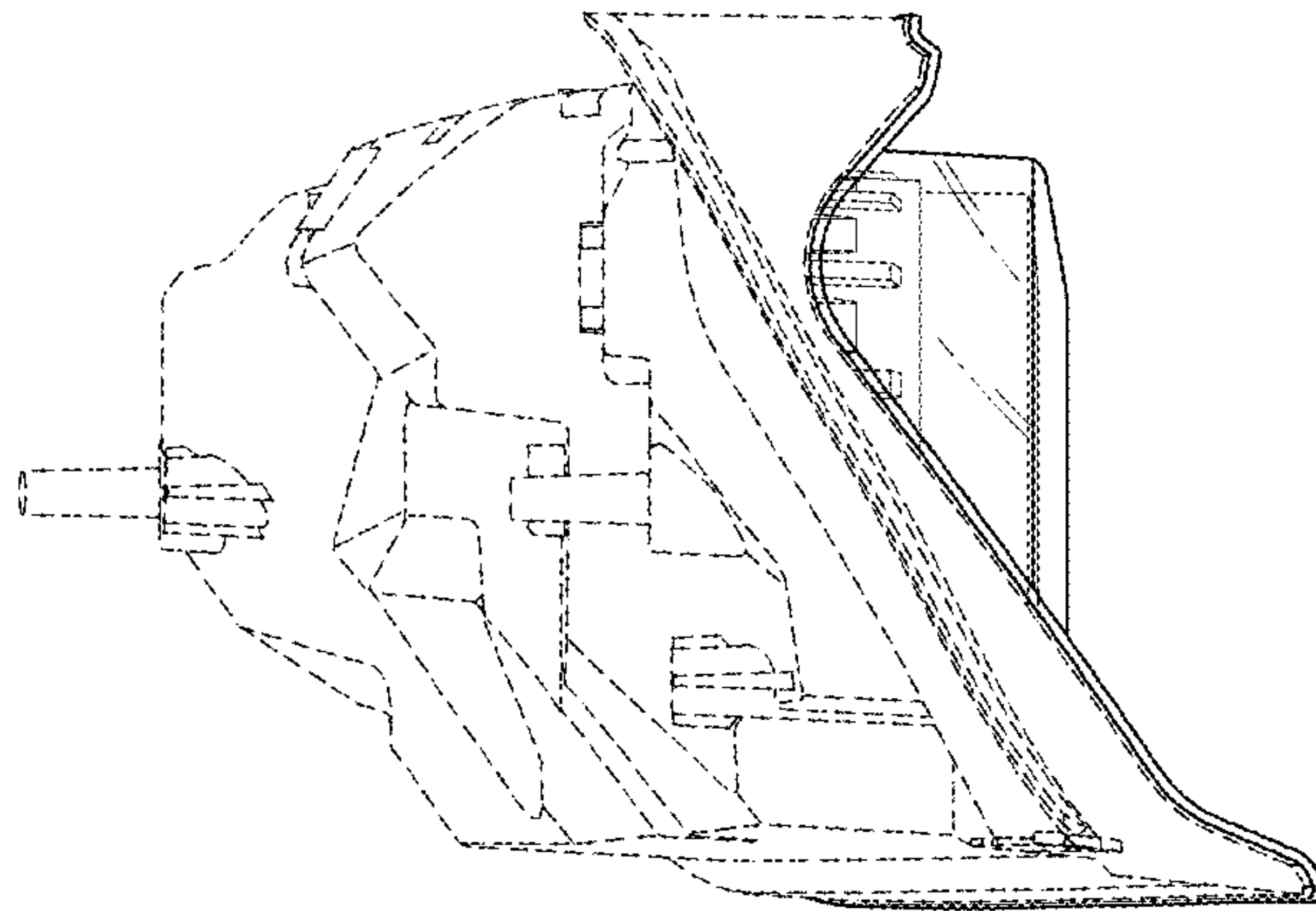


FIG. 4

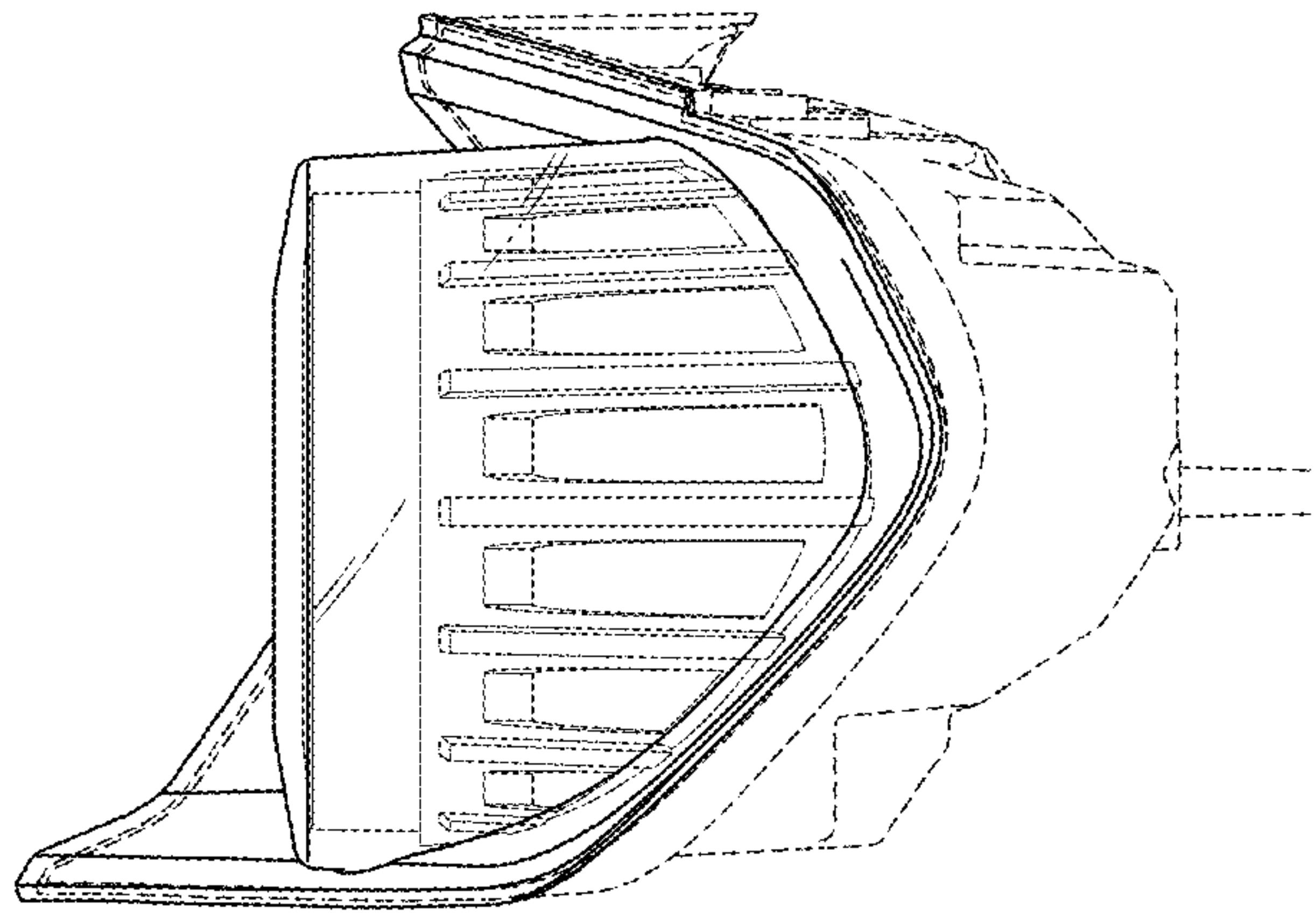


FIG. 5

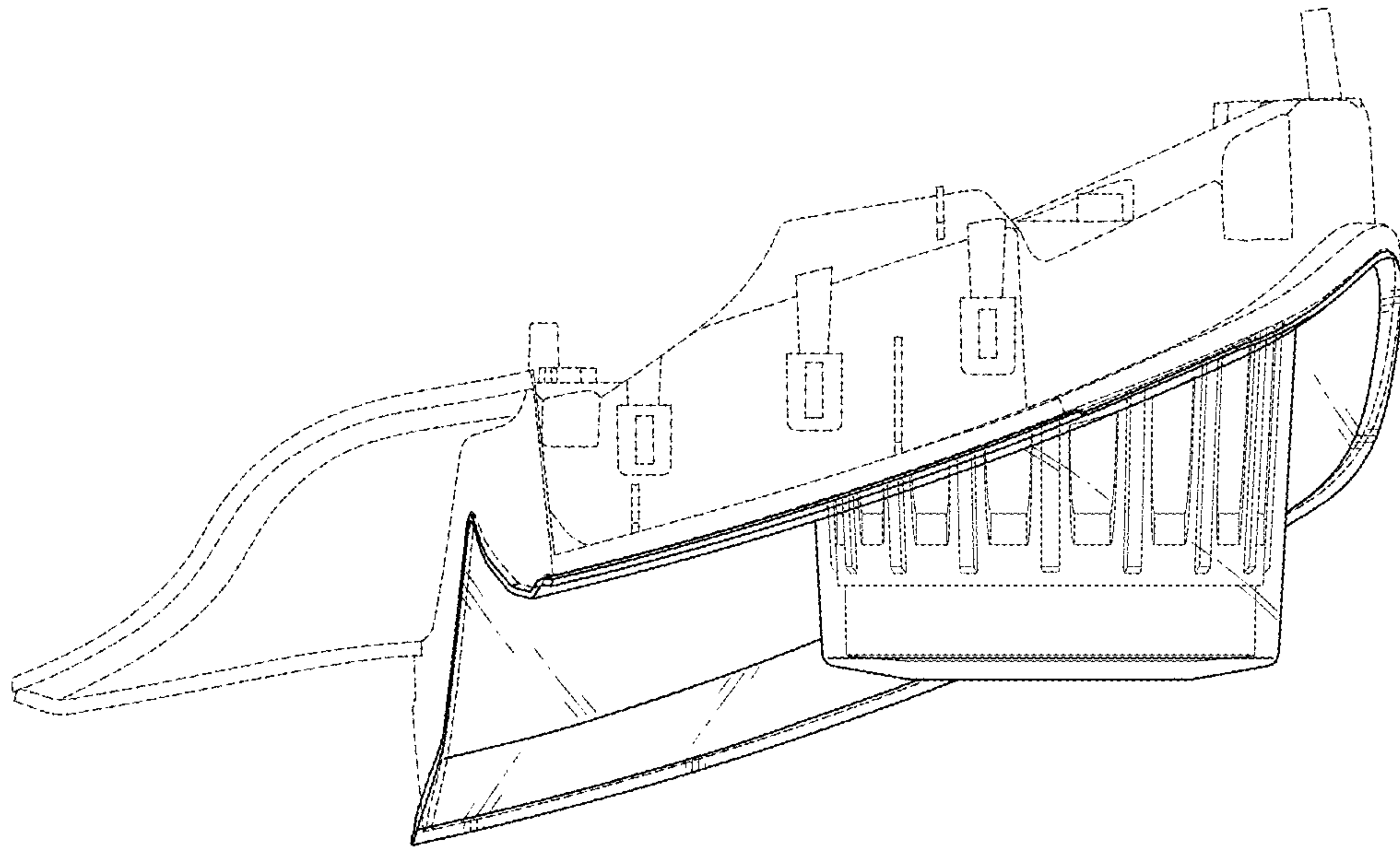


FIG. 6

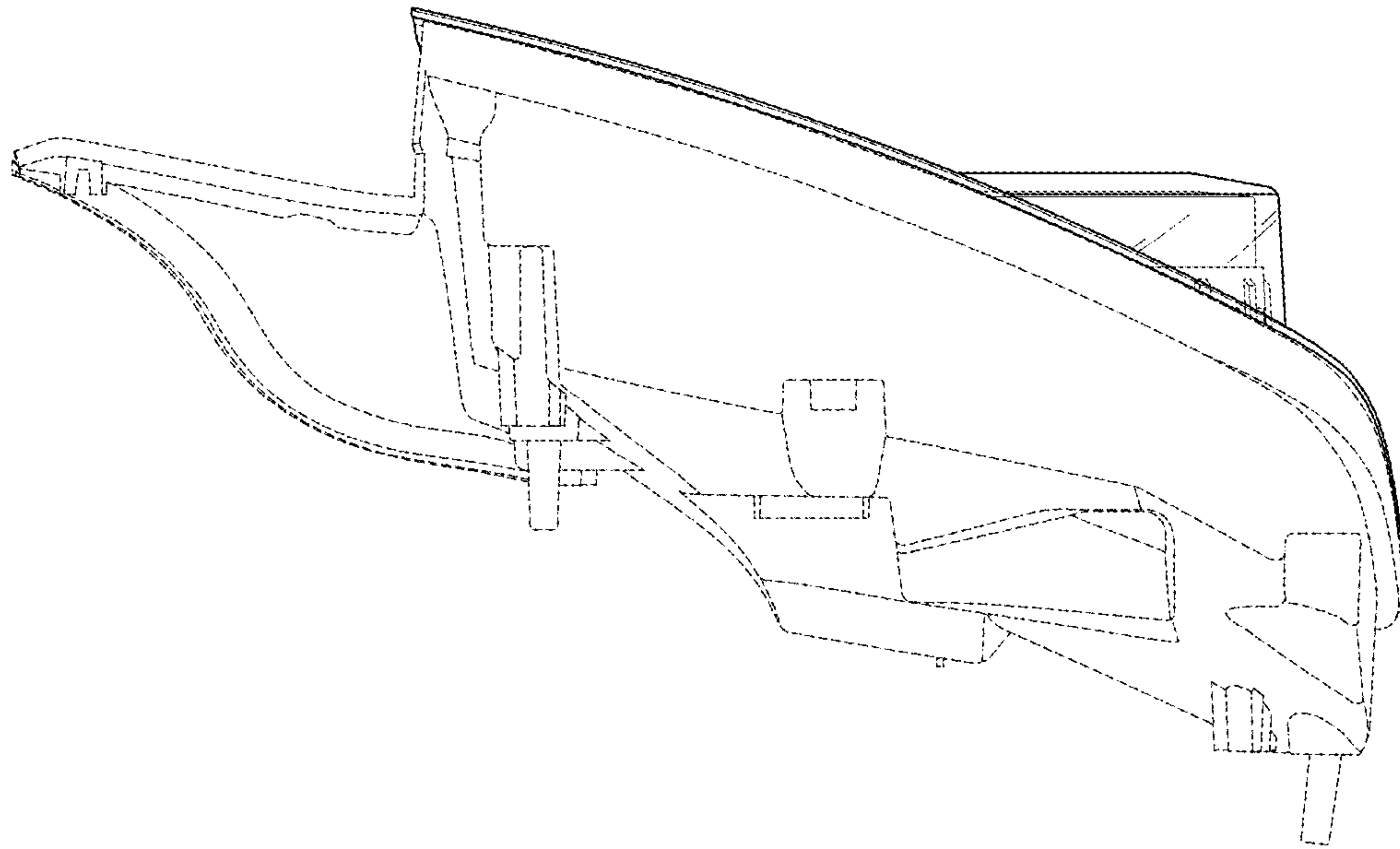


FIG. 7