



US00D950802S

(12) **United States Design Patent**
Tsai

(10) **Patent No.:** **US D950,802 S**

(45) **Date of Patent:** **** May 3, 2022**

(54) **VEHICLE LIGHT**

(71) Applicant: **JUN YAN AUTO INDUSTRIAL CO., LTD.**, Tainan (TW)

(72) Inventor: **Ming-Hsien Tsai**, Tainan (TW)

(73) Assignee: **Jun Yan Auto Industrial Co., Ltd.**, Tainan (TW)

(**) Term: **15 Years**

(21) Appl. No.: **29/723,534**

(22) Filed: **Feb. 7, 2020**

(51) **LOC (13) Cl.** **26-06**

(52) **U.S. Cl.**
USPC **D26/28**

(58) **Field of Classification Search**
USPC D26/28, 29, 30, 31, 32, 33, 34, 35, 36,
D26/44

CPC F21S 48/00; F21S 48/10; F21S 48/115;
F21S 48/225; F21S 48/1233; F21S
48/1266; F21S 48/1388; F21S 48/2268;
F21S 41/00; F21S 41/141; F21S 41/162;
F21S 41/18; F21S 41/20; F21S 41/33;
F21S 41/36; F21S 41/60; F21S 43/00;
F21V 21/04; F21W 2103/35; F21W 3/40;
F21W 2102/17; F21W 2102/30; F21W
2103/00; F21W 2103/55; F21W 2104/00;
F21W 2107/17; F21W 2107/13; F21W
2103/40

See application file for complete search history.

(56) **References Cited**

U.S. PATENT DOCUMENTS

D769,480 S * 10/2016 Lai D26/28
D771,291 S * 11/2016 Tsai D26/28

D849,285 S * 5/2019 Lin D26/28
D855,849 S * 8/2019 Lin D26/28
D863,627 S * 10/2019 Lin D26/28
D863,628 S * 10/2019 Lin D26/28
D869,700 S * 12/2019 Lin D26/28
D874,040 S * 1/2020 He D26/28
D878,646 S * 3/2020 He D26/28
D883,535 S * 5/2020 He D26/28
D890,386 S * 7/2020 Wu D26/28
D892,368 S * 8/2020 Lin D26/28
D903,157 S * 11/2020 Platto D26/28

* cited by examiner

Primary Examiner — Angela J Lee

(74) *Attorney, Agent, or Firm* — Rosenberg, Klein & Lee

(57) **CLAIM**

The ornamental design for a vehicle light, as shown and described.

DESCRIPTION

FIG. 1 is a perspective view of a vehicle light showing my new design;

FIG. 2 is a front elevational view thereof;

FIG. 3 is a rear elevational view thereof;

FIG. 4 is a left side elevational view thereof;

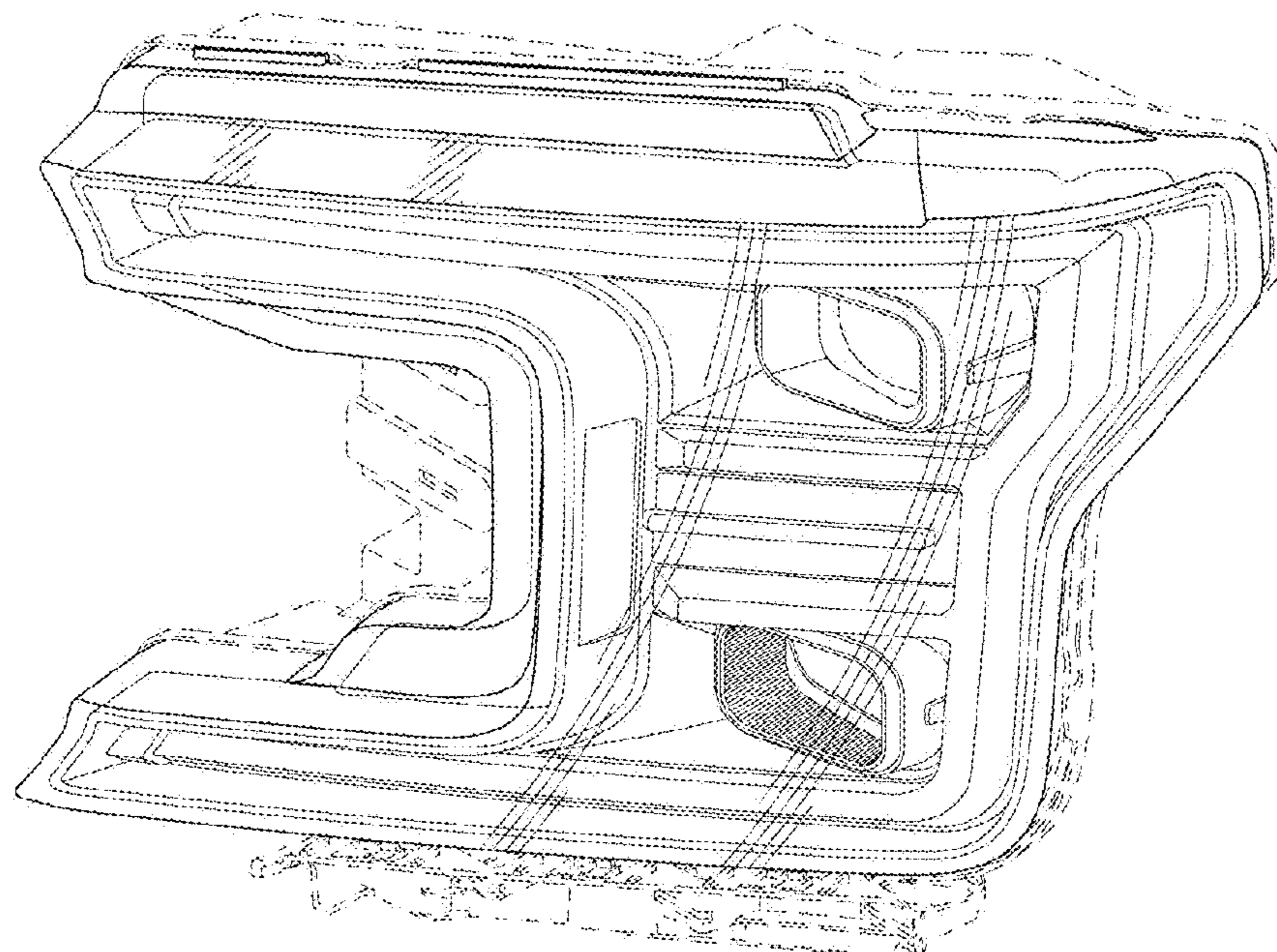
FIG. 5 is a right side elevational view thereof;

FIG. 6 is a top plan view thereof; and,

FIG. 7 is a bottom plan view thereof.

The broken lines, consisting of dashed lines, shown in the figures illustrate portions of the vehicle light that form no part of the claimed design. The broken lines, consisting of dashed-dot lines, shown in FIGS. 1, 2, 5 and 6, are boundary lines of the claimed design.

1 Claim, 7 Drawing Sheets



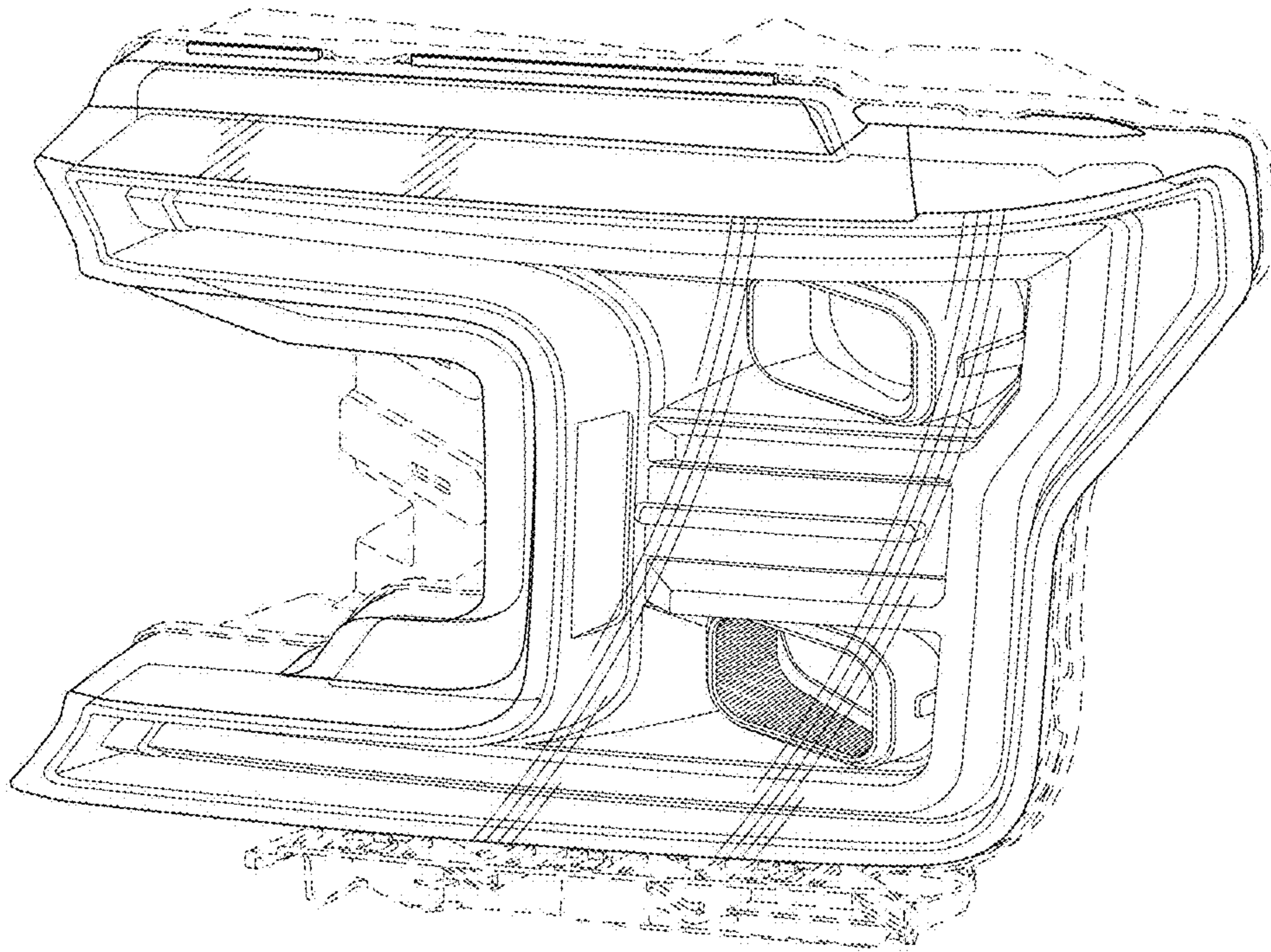


FIG. 1

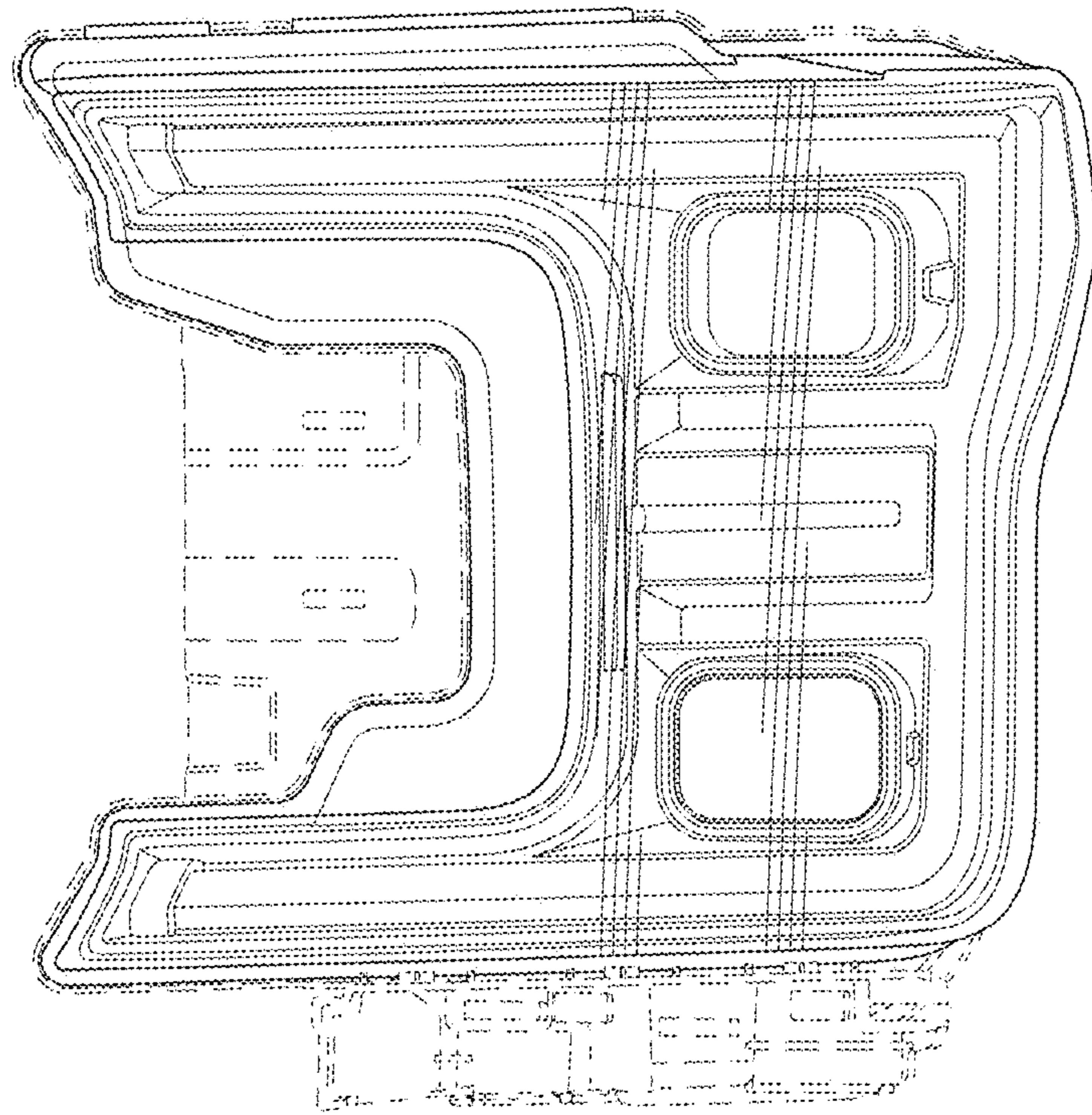


FIG. 2

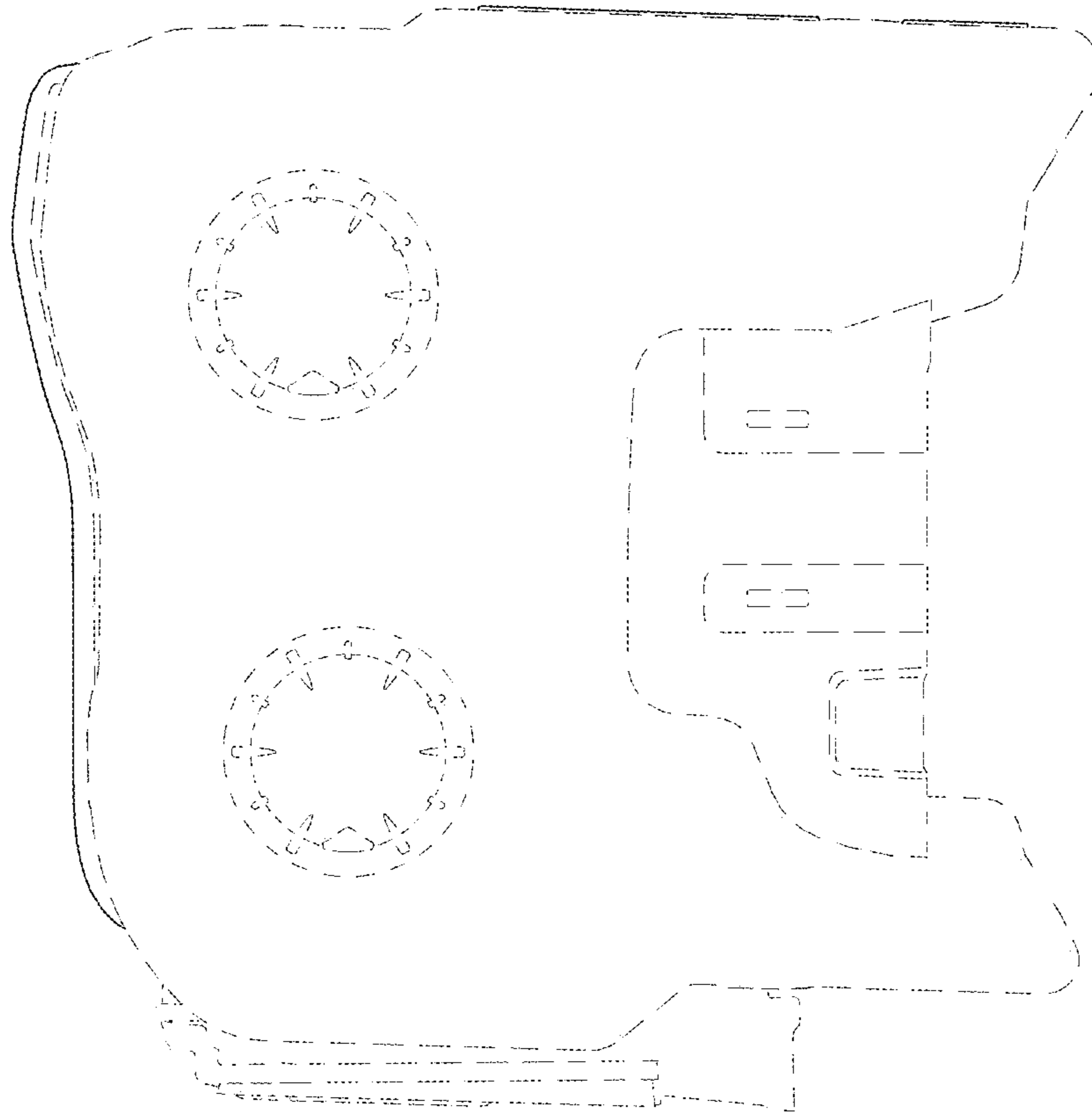


FIG. 3

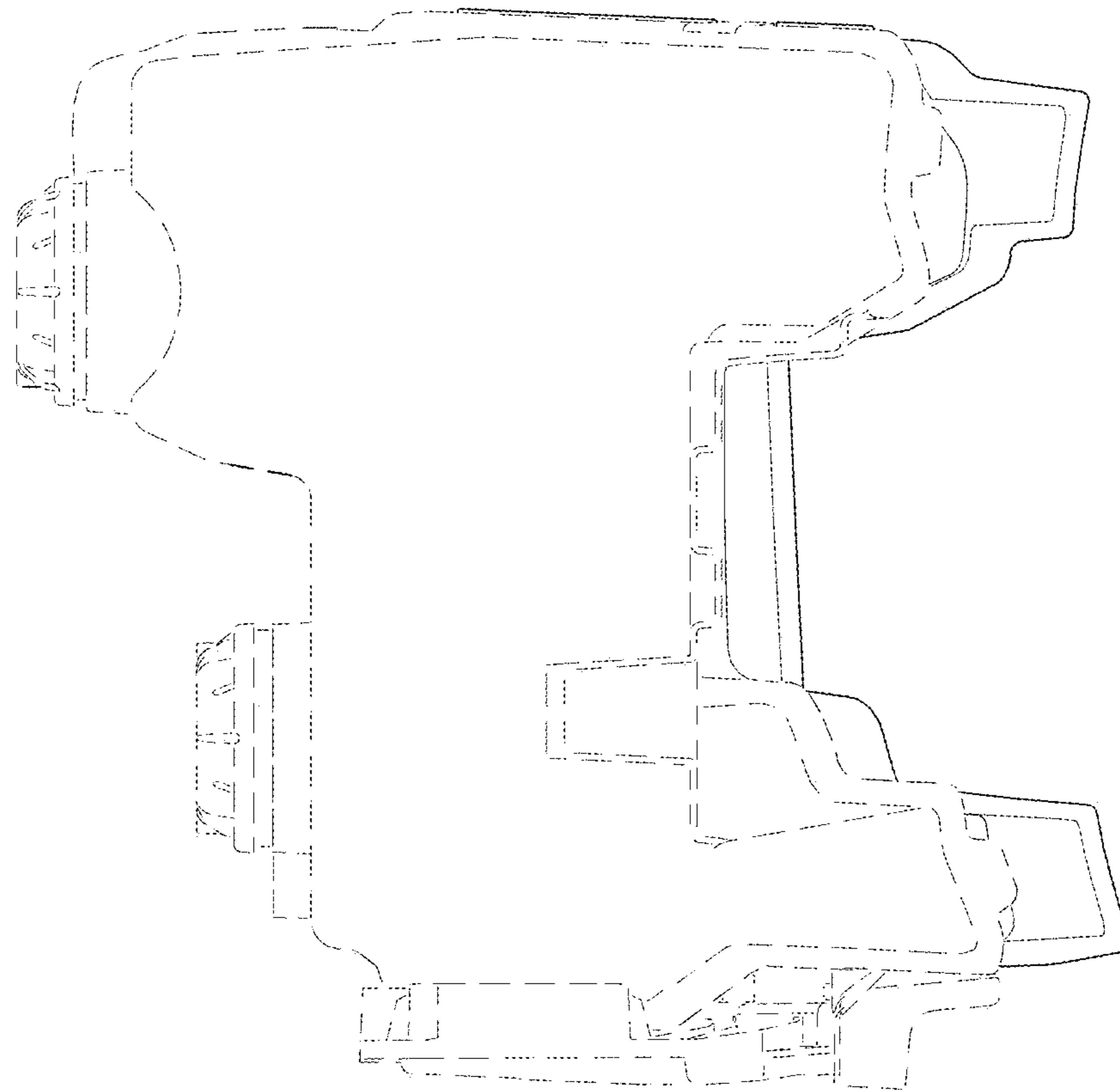


FIG. 4

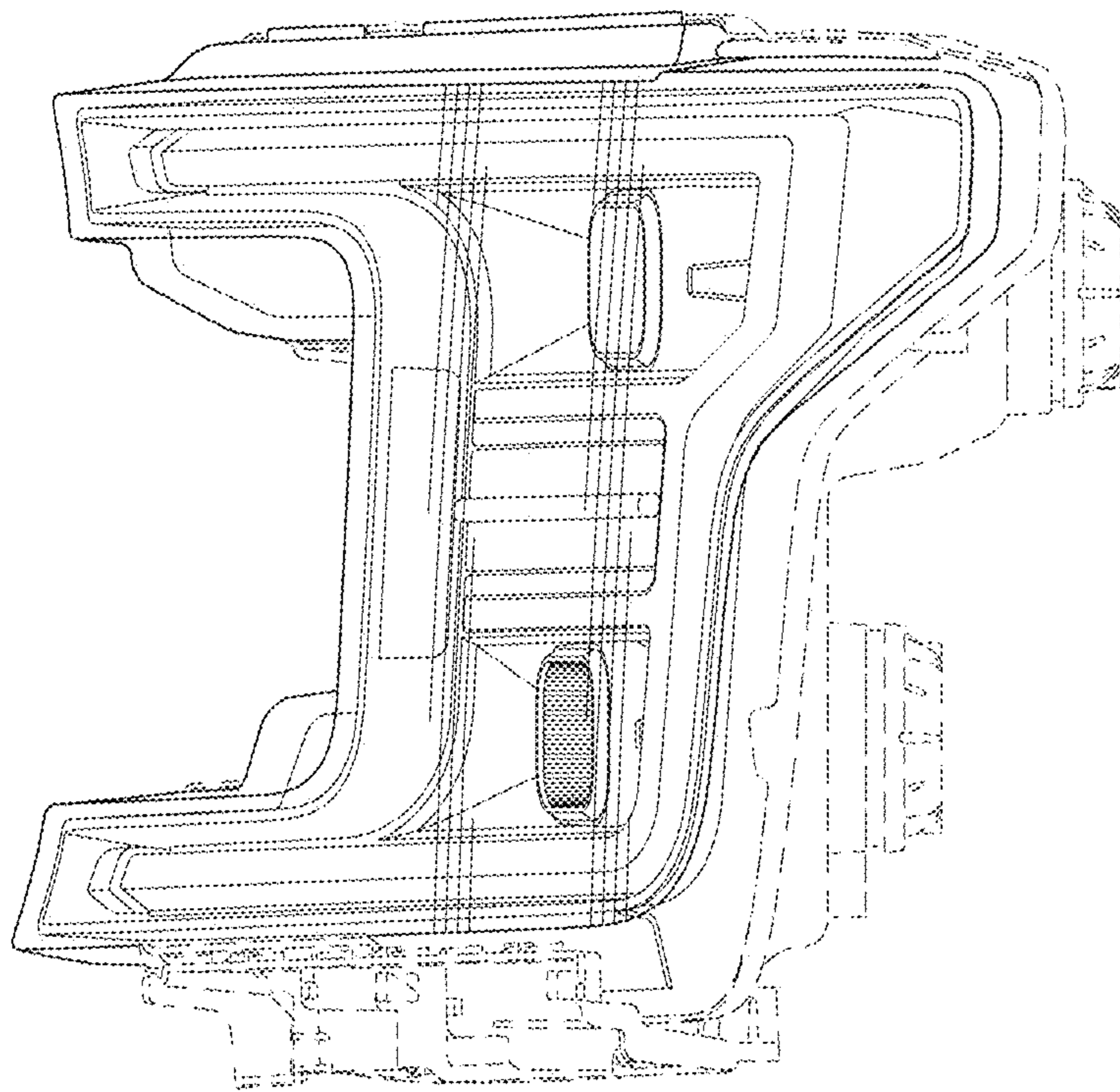


FIG. 5

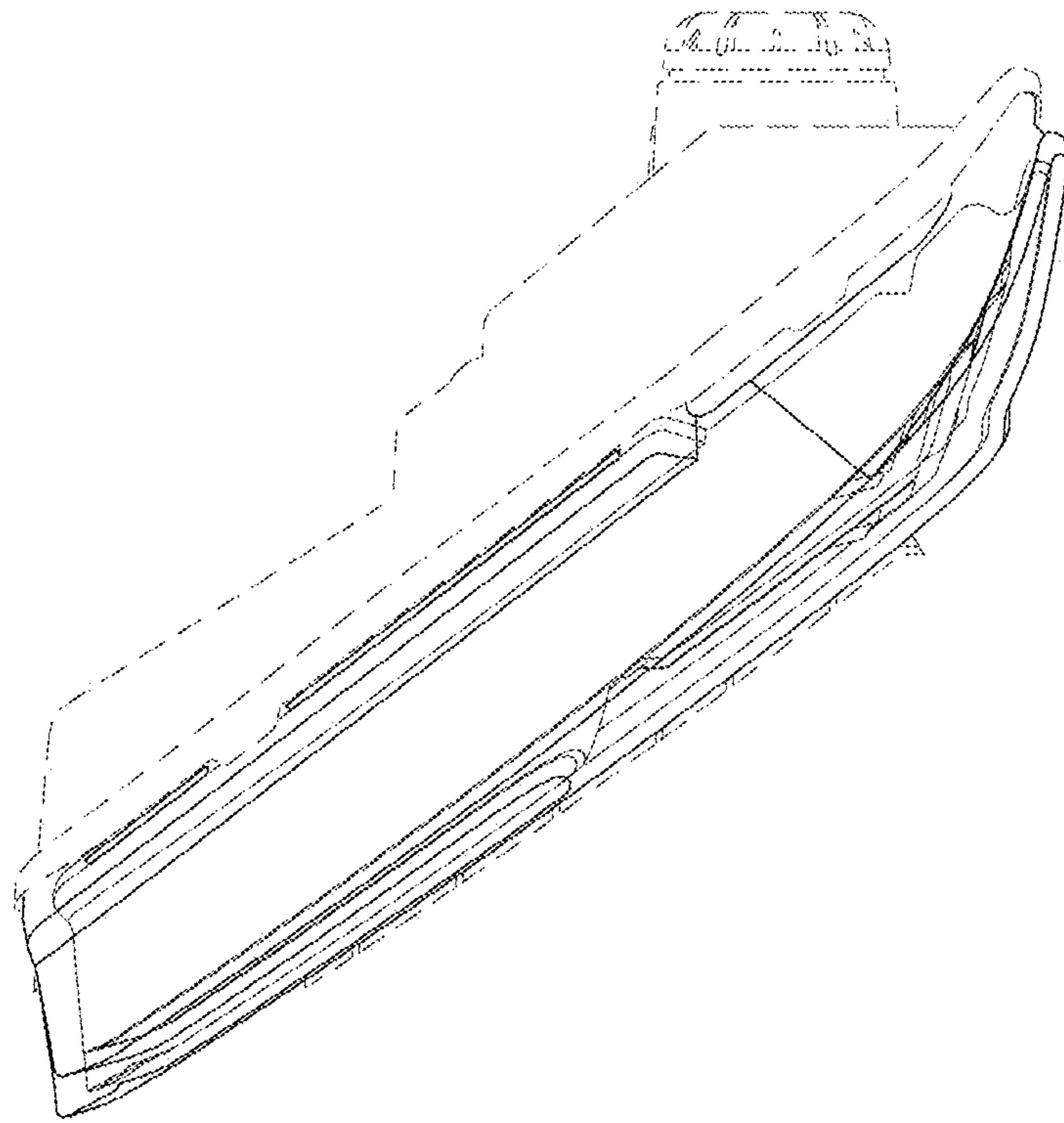


FIG. 6

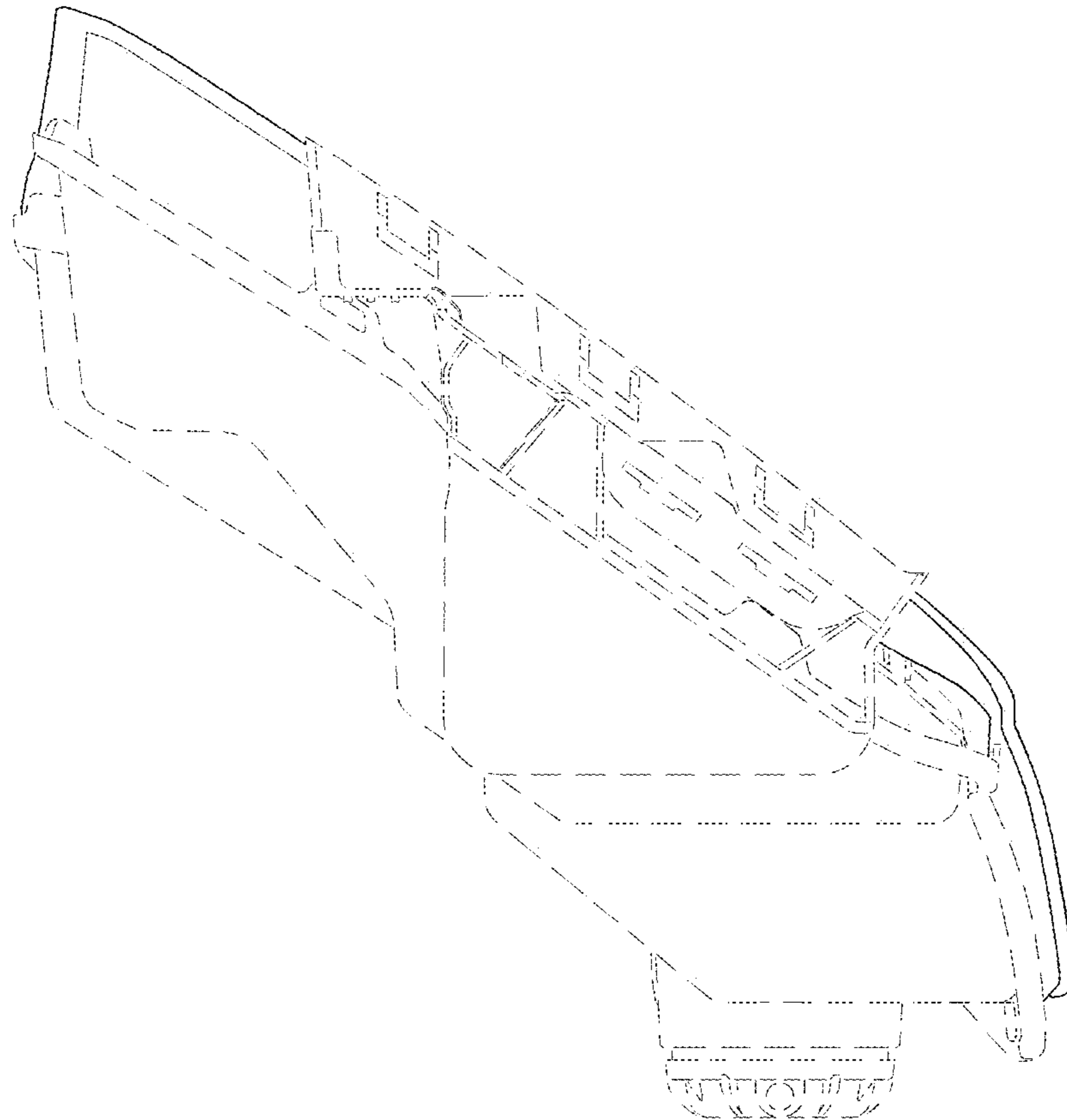


FIG. 7