



US00D950782S

(12) **United States Design Patent** (10) **Patent No.:** **US D950,782 S**  
**Shen** (45) **Date of Patent:** **\*\* May 3, 2022**

(54) **NIGHT LIGHT**  
(71) Applicant: **SHENZHEN RIDETECH ELECTRONICS CO., LTD.**, Shenzhen (CN)

(72) Inventor: **Yu Shen**, Shenzhen (CN)  
(73) Assignee: **SHENZHEN RIDETECH ELECTRONICS CO., LTD.**, Shenzhen (CN)

(\*\*) Term: **15 Years**

(21) Appl. No.: **29/763,960**

(22) Filed: **Dec. 28, 2020**

(51) **LOC (13) Cl.** ..... **26-05**

(52) **U.S. Cl.**  
USPC ..... **D26/26; D26/24**

(58) **Field of Classification Search**  
USPC ..... D26/24, 26, 37-52, 60, 93, 104-106, D26/113, 118-119, 138; D14/172, 194, D14/204, 216, 221; D24/217  
CPC ..... F21Y 2115/10; F21S 8/035; F21S 9/02; F21S 9/022; F21S 6/003; F21S 8/024; F21S 8/03; F21S 10/00; F21V 33/0052; F21V 15/01; F21V 33/0056; F21V 33/00; F21V 23/0414

See application file for complete search history.

(56) **References Cited**

**U.S. PATENT DOCUMENTS**

D730,546 S *	5/2015	Baum	.....	D26/1
D779,109 S *	2/2017	Wallach	.....	D26/97
D810,970 S *	2/2018	Thompson	.....	D26/26
D851,807 S *	6/2019	Wu	.....	D26/85
D867,626 S *	11/2019	Song	.....	D26/24
D868,992 S *	12/2019	Ma	.....	D24/217
D870,325 S *	12/2019	Zheng	.....	D26/24
D878,639 S *	3/2020	Luo	.....	D26/24
D883,511 S *	5/2020	Li	.....	D24/217

D886,335 S *	6/2020	Zhu	.....	D26/24
D888,688 S *	6/2020	Xie	.....	D14/216
D891,962 S *	8/2020	Siminoff	.....	D10/106.5
D914,958 S *	3/2021	Zheng	.....	D26/110
D918,861 S *	5/2021	Chen	.....	D14/204

**FOREIGN PATENT DOCUMENTS**

CN	306564987	*	5/2021
CN	306819662	*	9/2021
CN	306923732	*	11/2021

**OTHER PUBLICATIONS**

Closet Light with UV Sterilization. By Millenium Tales Inc. Dated N/A. Found online [Jan. 11, 2022]. <https://www.walmart.com/ip/Closet-Light-with-UV-Sterilization-Closet-UV-Light-Rechargeable-USB-Nightlight-Motion-Sensor-Activated-LED-for-Cabinet/390879628> (Year: 2022).\*

(Continued)

*Primary Examiner* — Marissa J Cash  
*Assistant Examiner* — William B Melliar

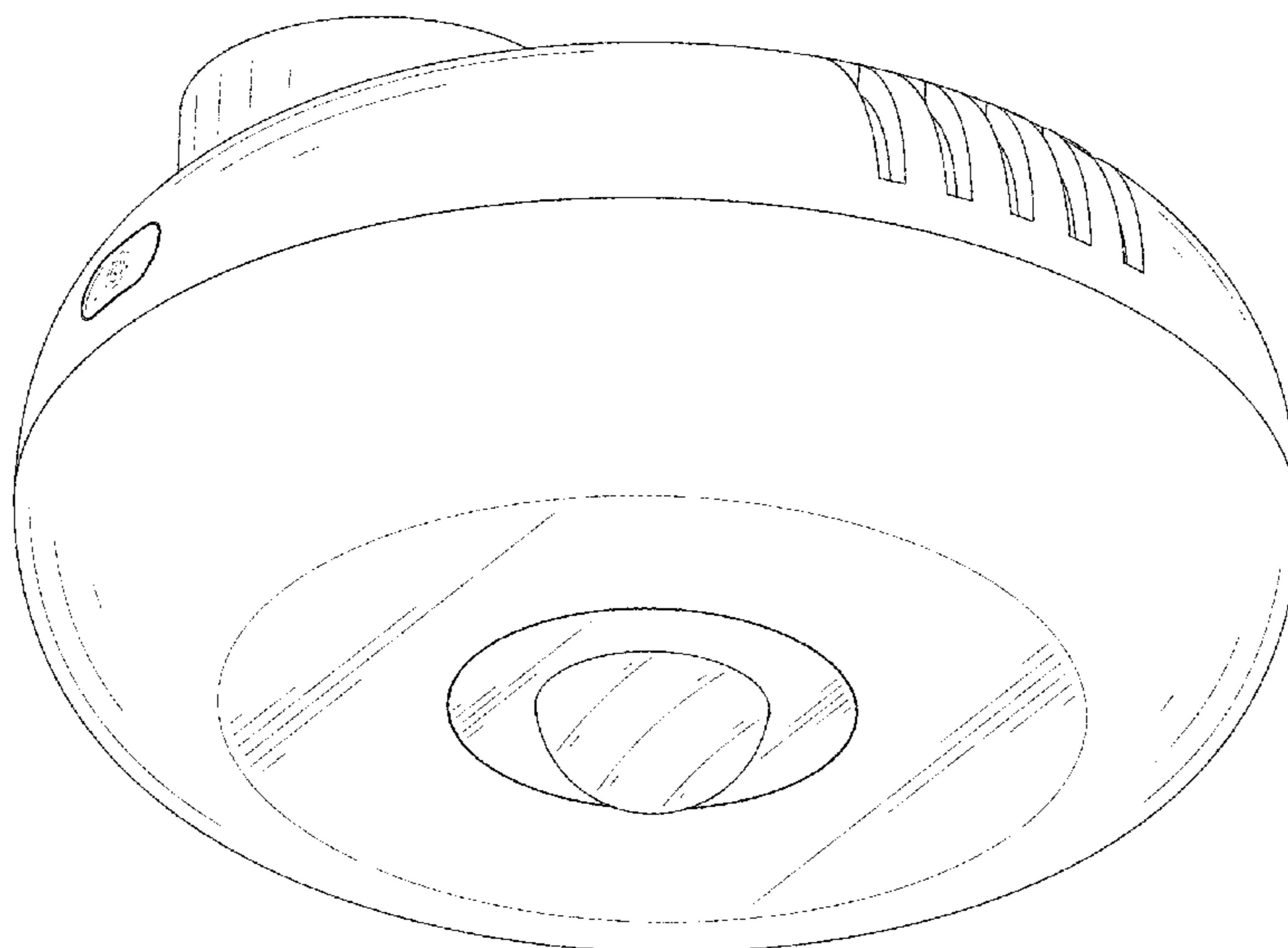
(57) **CLAIM**

The ornamental design for a night light, as shown and described.

**DESCRIPTION**

FIG. 1 is a perspective view of a night light showing my new design;  
FIG. 2 is another perspective view thereof;  
FIG. 3 is a front elevational view thereof;  
FIG. 4 is a rear elevational view thereof;  
FIG. 5 is a left side elevational view thereof;  
FIG. 6 is a right side elevational view thereof;  
FIG. 7 is a top plan view thereof; and,  
FIG. 8 is a bottom plan view thereof.  
The broken lines in the drawings depict portions of the night light that form no part of the claimed design.

**1 Claim, 8 Drawing Sheets**



(56)

**References Cited**

OTHER PUBLICATIONS

Motion Sensor LED Night Light. By N/A (Amazon.com). Dated Dec. 7, 2020. Found online [Jan. 11, 2022]. <https://www.amazon.com/Wireless-Battery-Powered-Operated-Corridor/dp/B08PV4GZ8B> (Year: 2020).\*

\* cited by examiner

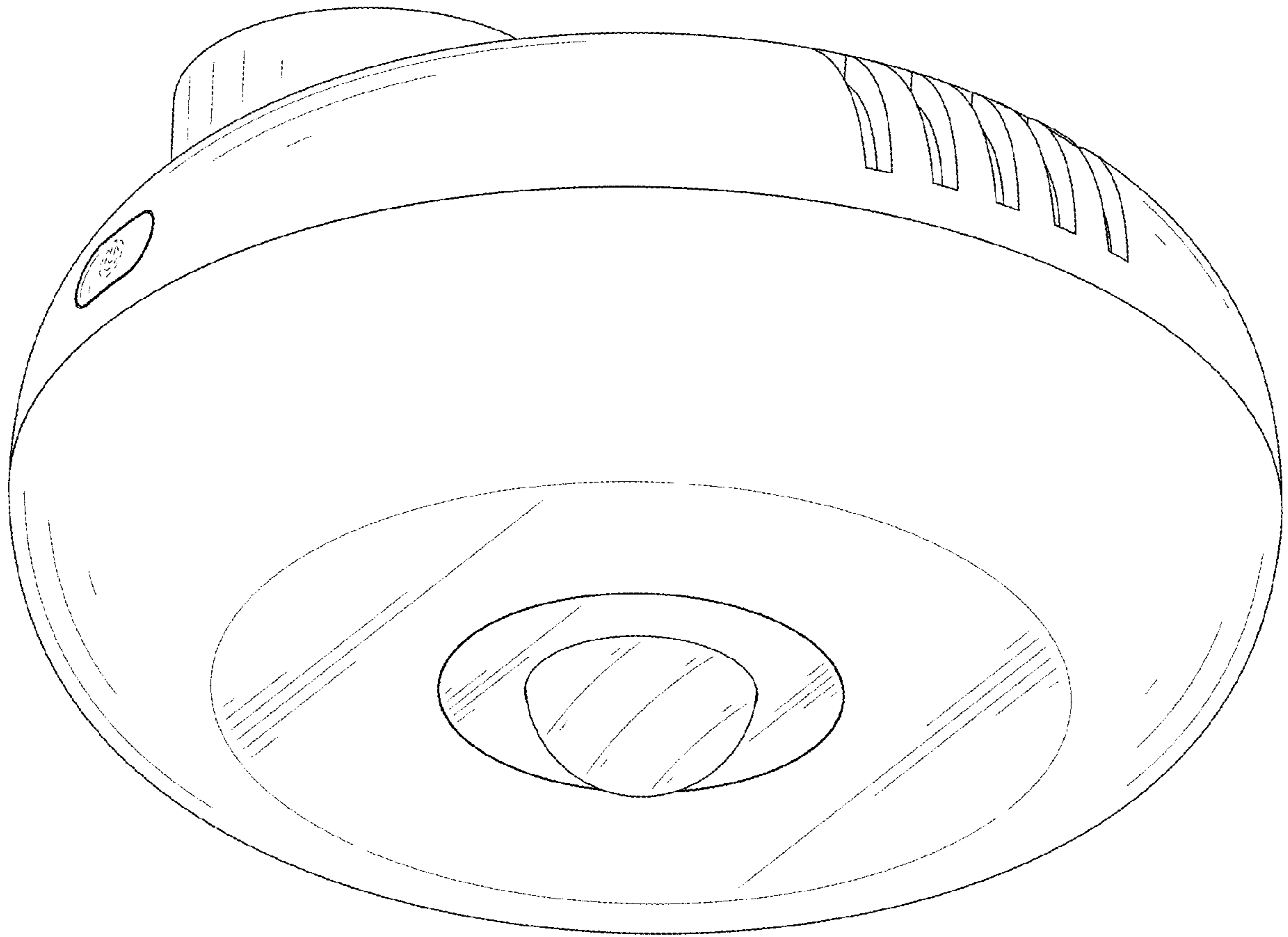


FIG. 1

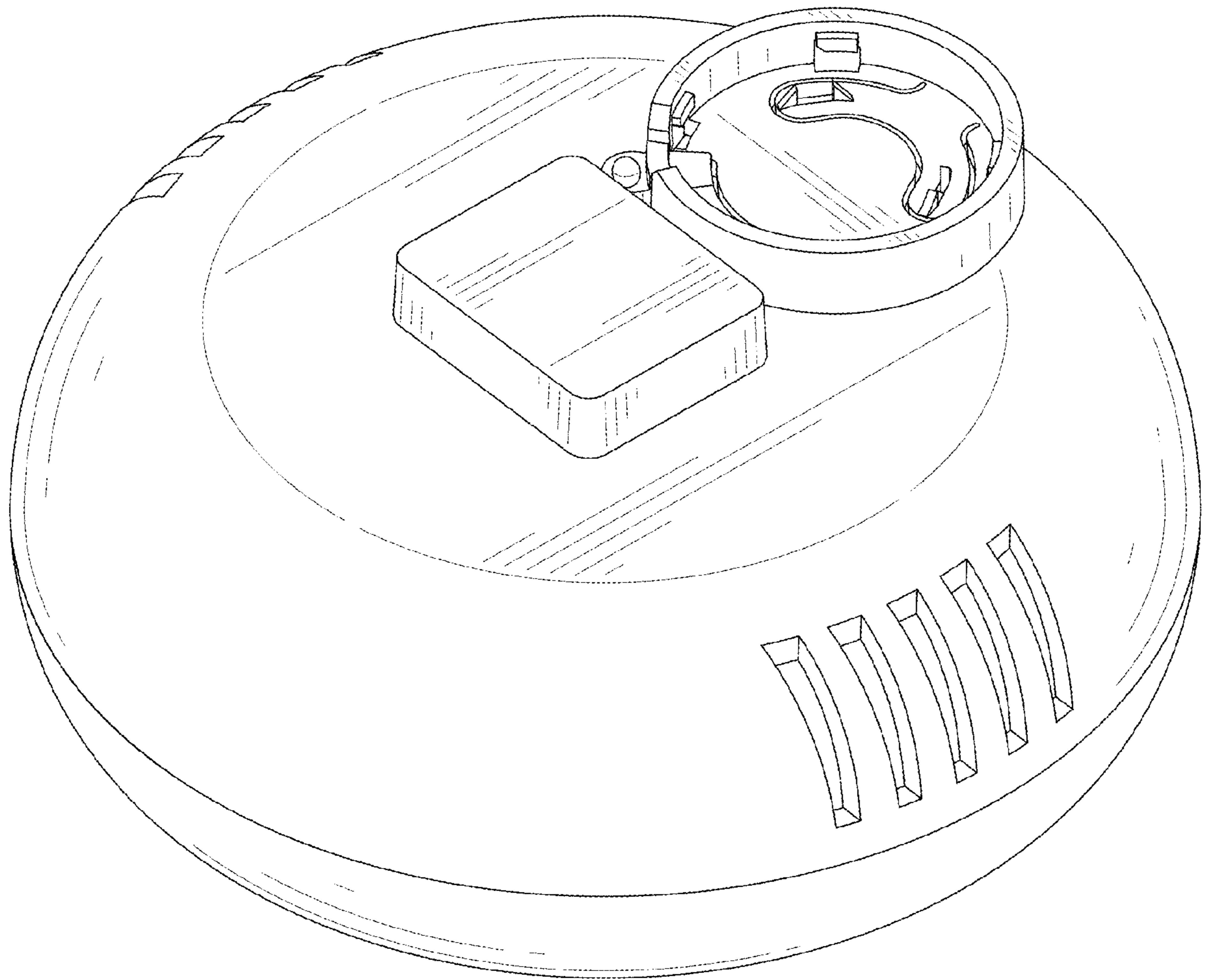


FIG. 2

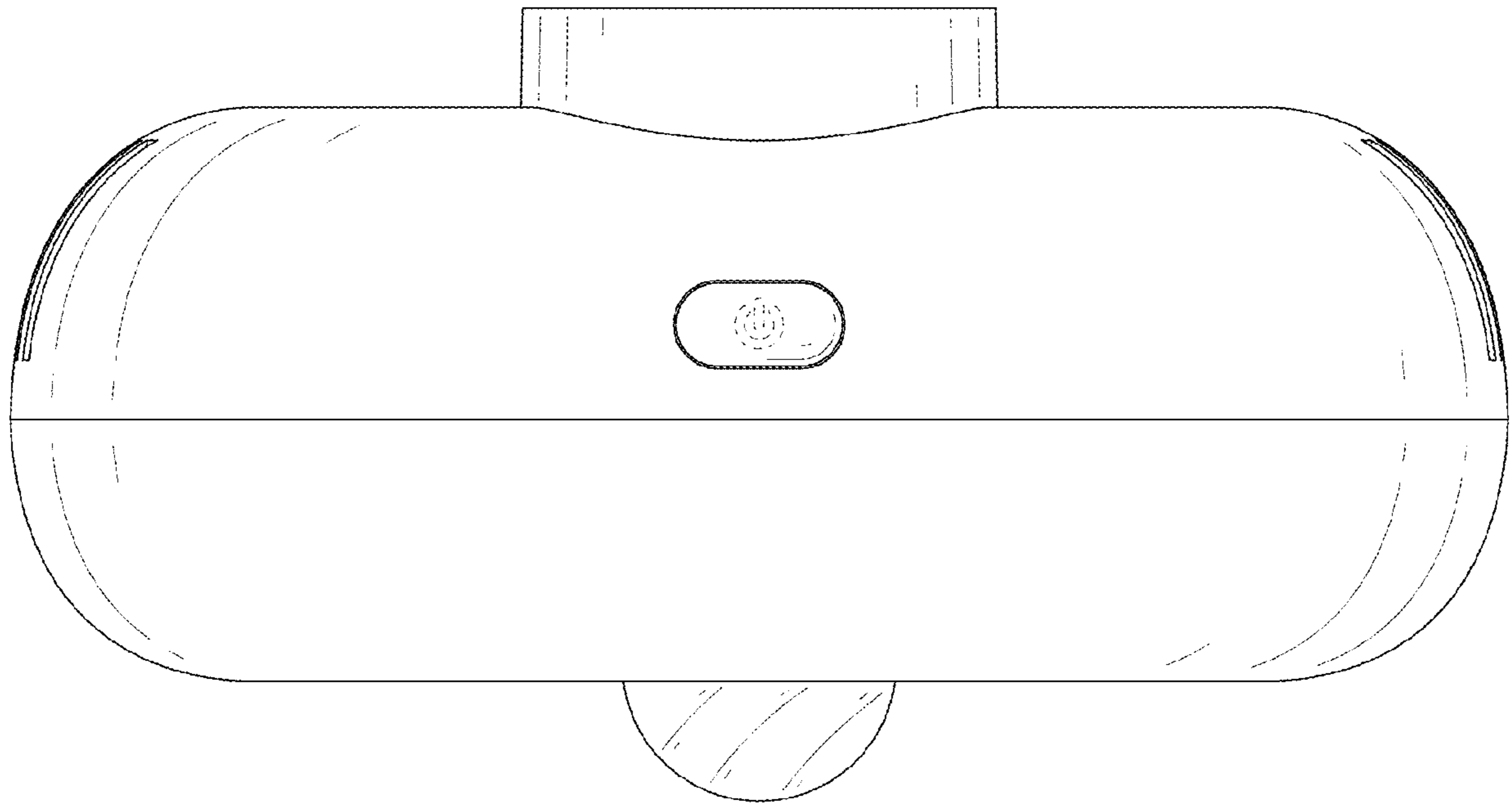


FIG. 3

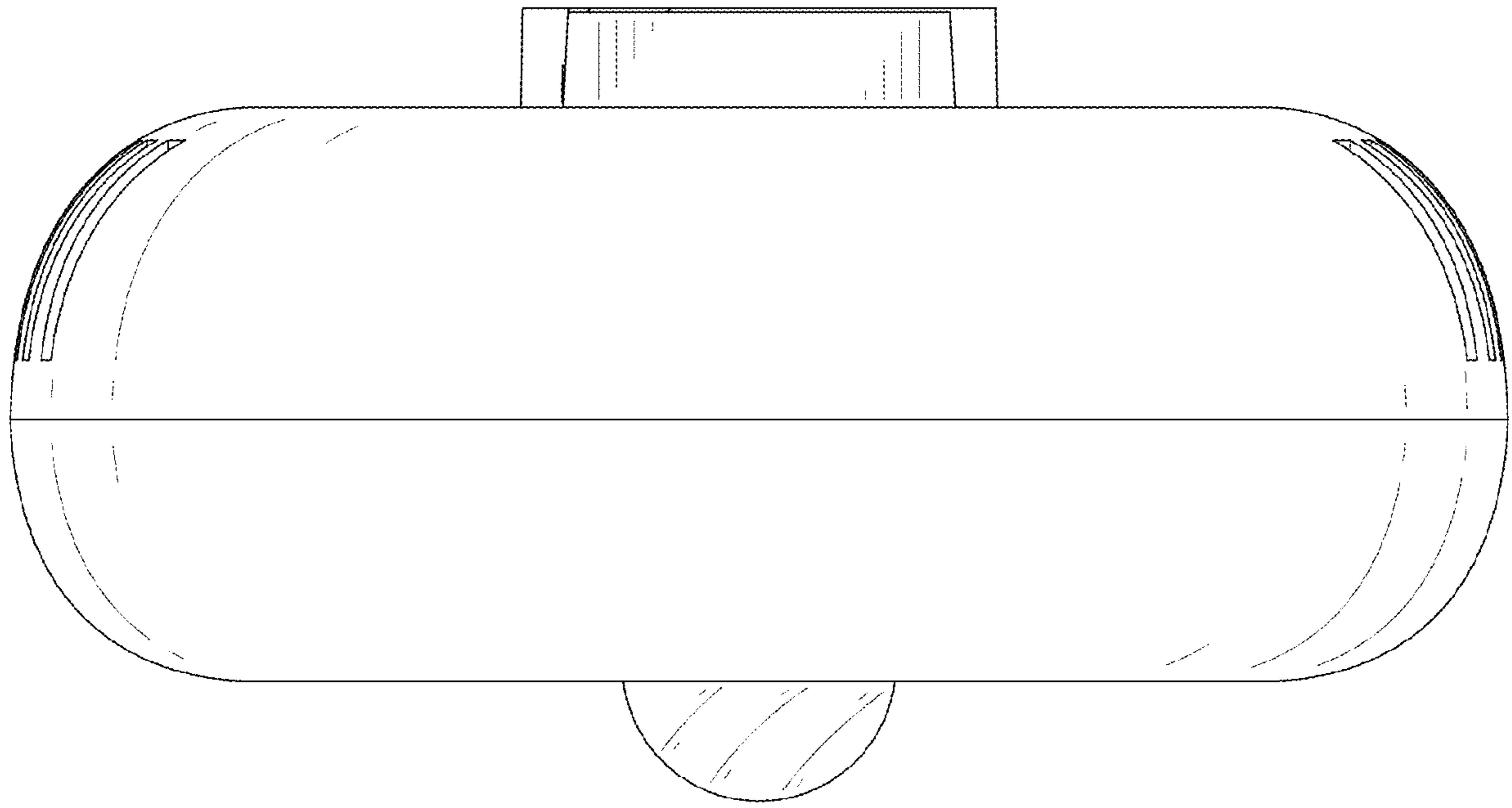


FIG. 4

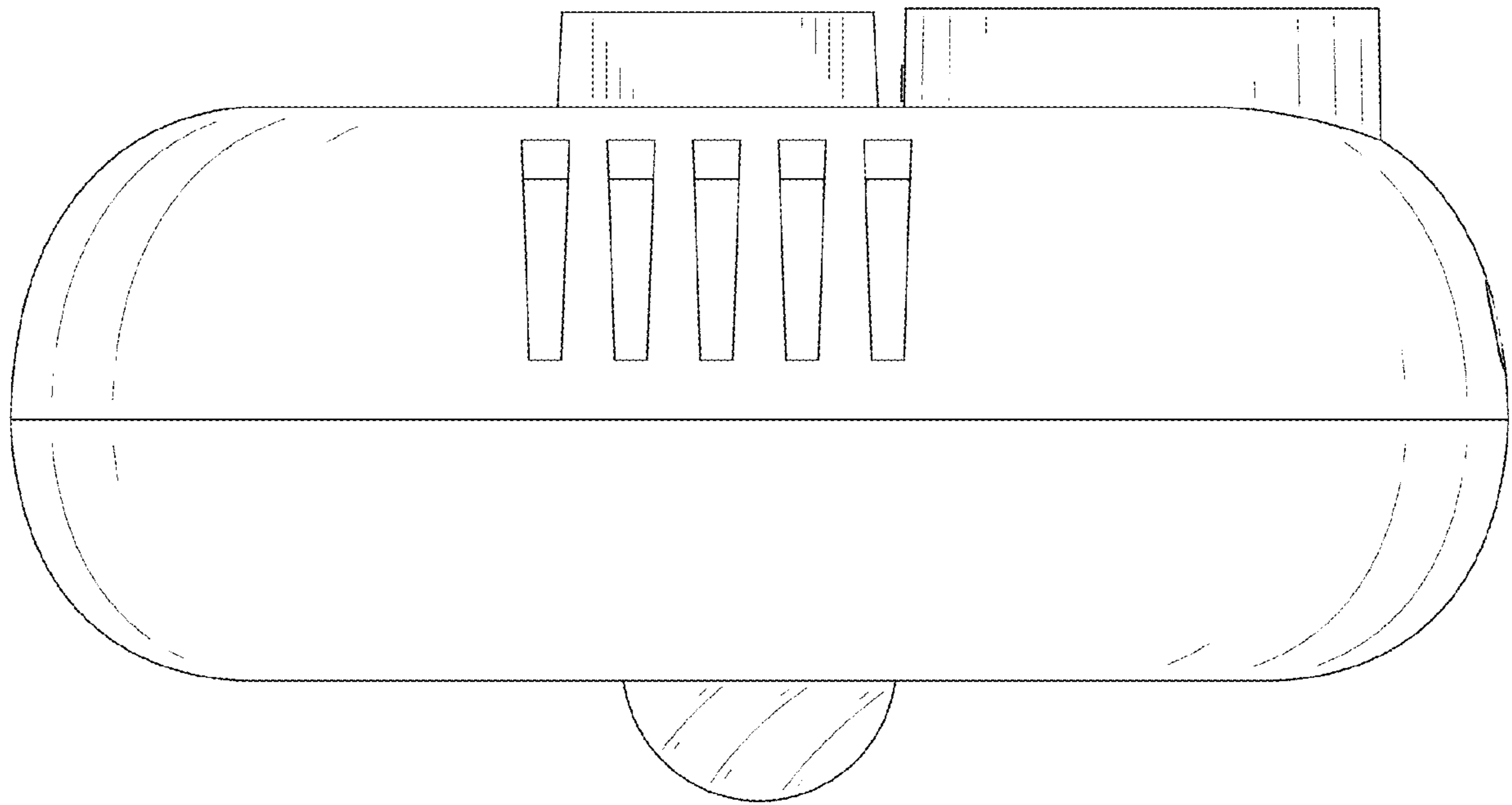


FIG. 5

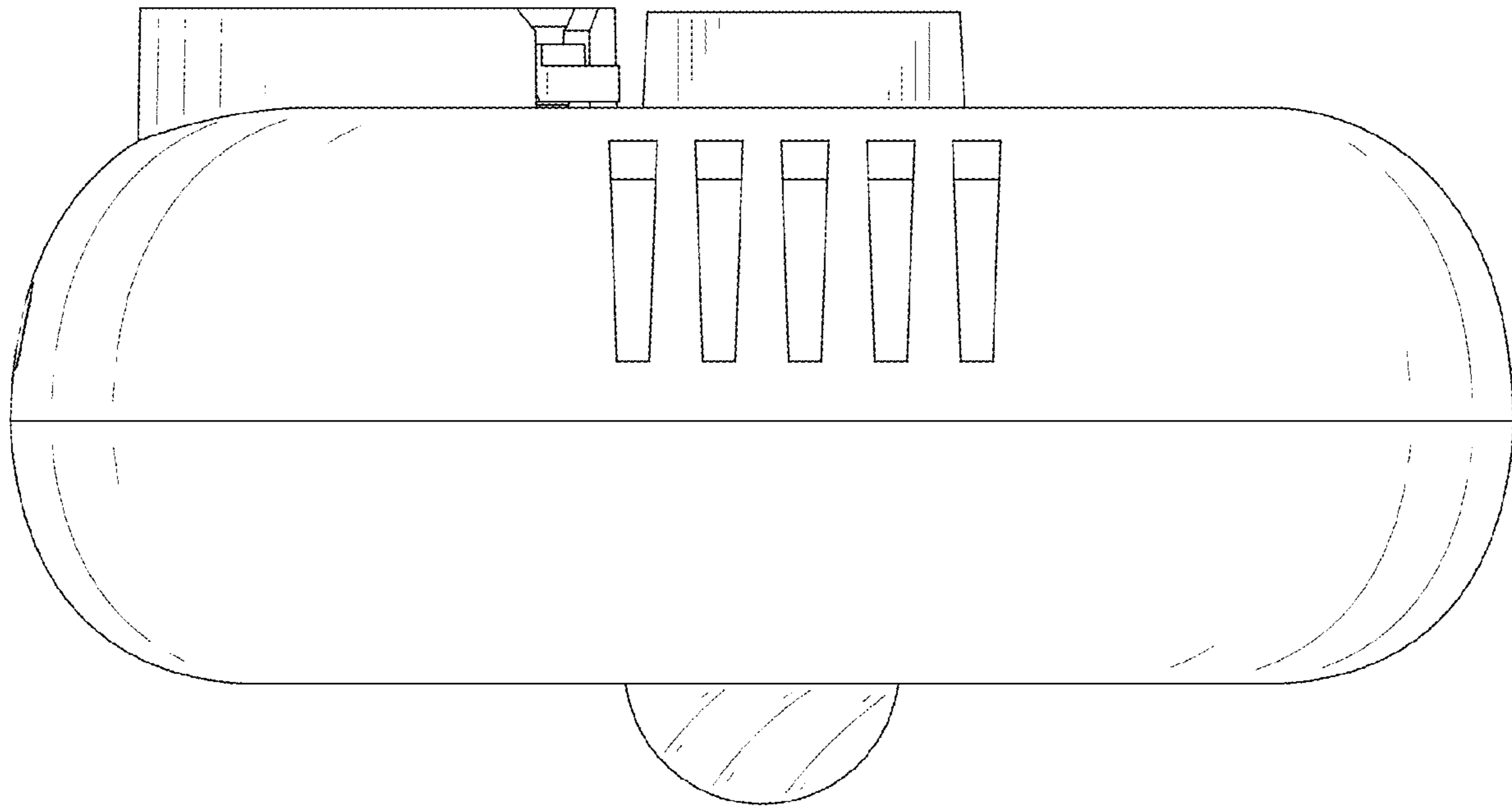


FIG. 6



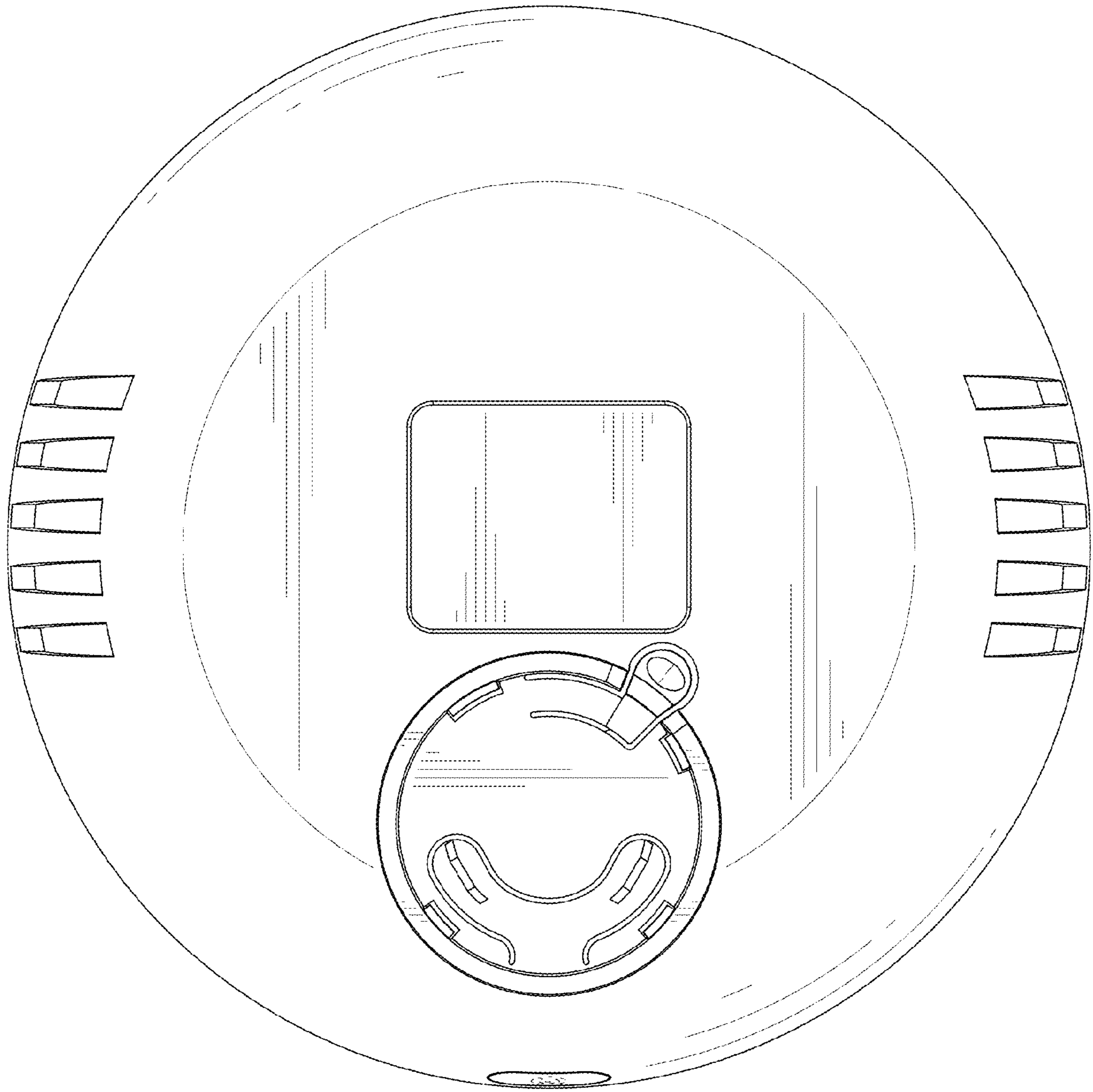


FIG. 7

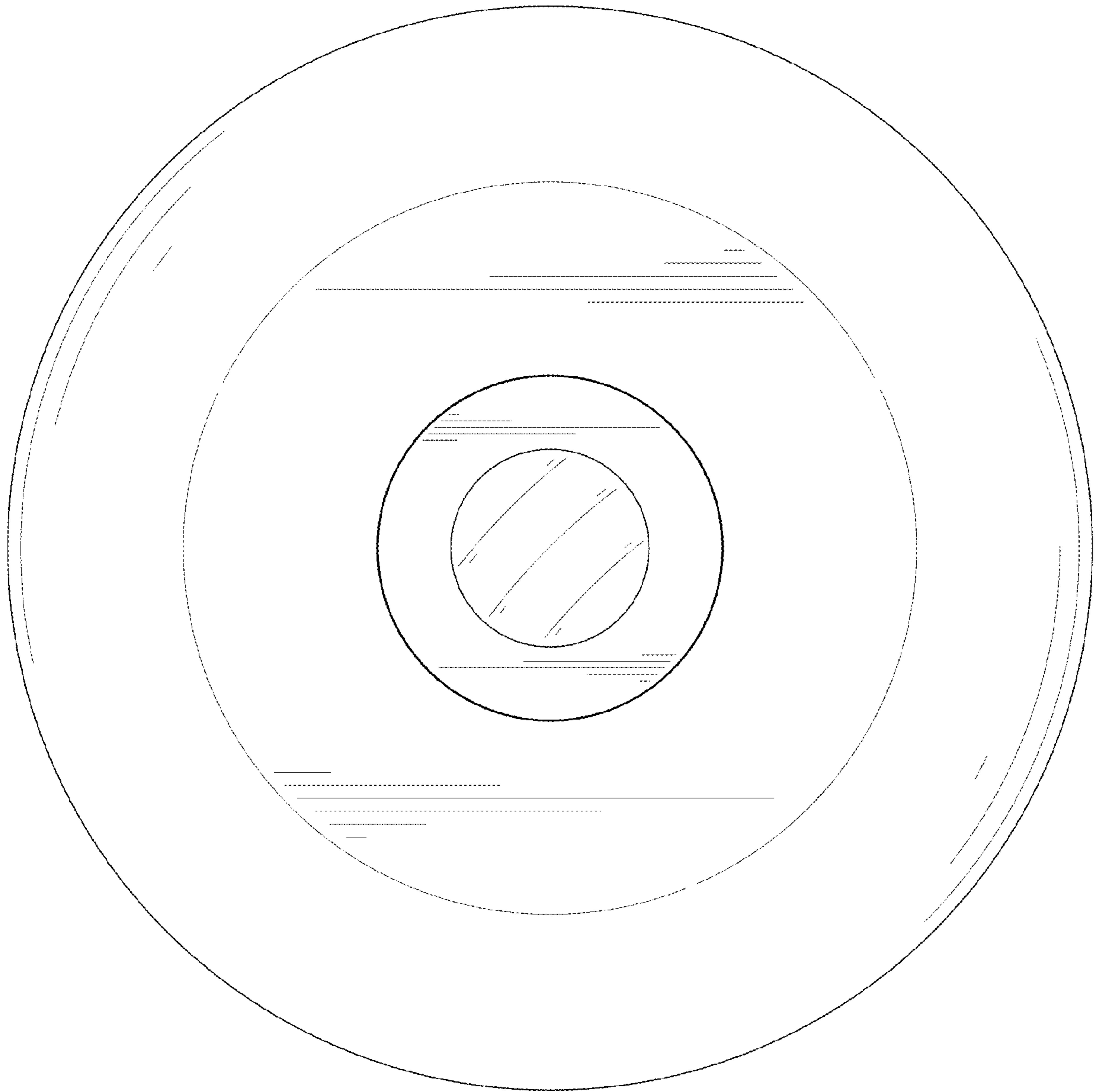


FIG. 8