



US00D950781S

(12) **United States Design Patent**
Lu et al.

(10) **Patent No.:** **US D950,781 S**

(45) **Date of Patent:** **** May 3, 2022**

(54) **LIGHT FIXTURE**

(71) Applicant: **Xiamen PVTECH Co., Ltd.**, Fujian (CN)

(72) Inventors: **Fuxing Lu**, Fujian (CN); **Xiaoping Lan**, Fujian (CN)

(73) Assignee: **Xiamen PVTECH Co., Ltd.**, Fujian (CN)

(**) Term: **15 Years**

(21) Appl. No.: **29/702,773**

(22) Filed: **Aug. 22, 2019**

(51) **LOC (13) Cl.** **26-03**

(52) **U.S. Cl.**
USPC **D26/24**

(58) **Field of Classification Search**
USPC D26/24, 25, 42, 43, 61, 88, 107, 113, D26/118, 119; D13/133
CPC F21S 4/00; F21S 4/10; F21S 4/15; F21S 4/20; F21S 4/22; F21S 4/24; F21S 4/26; F21S 8/00; F21S 8/06; F21S 8/063; F21S 2/00; F21S 2/005; F21V 21/00; F21V 21/02; F21V 21/008; F21V 19/00; F21V 19/008; F21V 15/00; F21V 15/01; F21Y 2103/00

See application file for complete search history.

(56) **References Cited**

U.S. PATENT DOCUMENTS

D623,321 S * 9/2010 Levine D26/25
8,403,525 B2 * 3/2013 Prosey F21S 9/02
362/234
8,425,075 B1 * 4/2013 Falat F21S 4/22
362/145

D701,342 S * 3/2014 Novak D26/75
D826,461 S * 8/2018 Sonneman D26/90
D829,960 S * 10/2018 Sonneman D26/90
D860,510 S * 9/2019 Greenberg D26/91
D866,045 S * 11/2019 Anastassiades D26/88
D866,047 S * 11/2019 Anastassiades D26/88
D866,844 S * 11/2019 Anastassiades D26/88
D869,695 S * 12/2019 Deng D26/25
D890,394 S * 7/2020 Cameron D26/35
D905,896 S * 12/2020 Anastassiades D26/90
D914,268 S * 3/2021 Anastassiades D26/88
D917,760 S * 4/2021 Lissoni D26/72
D917,770 S * 4/2021 Yuan D26/90
D923,222 S * 6/2021 Le D26/42
D925,107 S * 7/2021 Yuan D26/118
D925,108 S * 7/2021 Yuan D26/118
2002/0085378 A1 * 7/2002 Lee F21S 4/20
362/227
2017/0292661 A1 * 10/2017 Moioli F21V 15/01
2020/0263859 A1 * 8/2020 Kinsley F21V 23/06
2021/0164626 A1 * 6/2021 Yang F21V 23/06

* cited by examiner

Primary Examiner — Clint A Samuel

(74) *Attorney, Agent, or Firm* — Winston Hsu

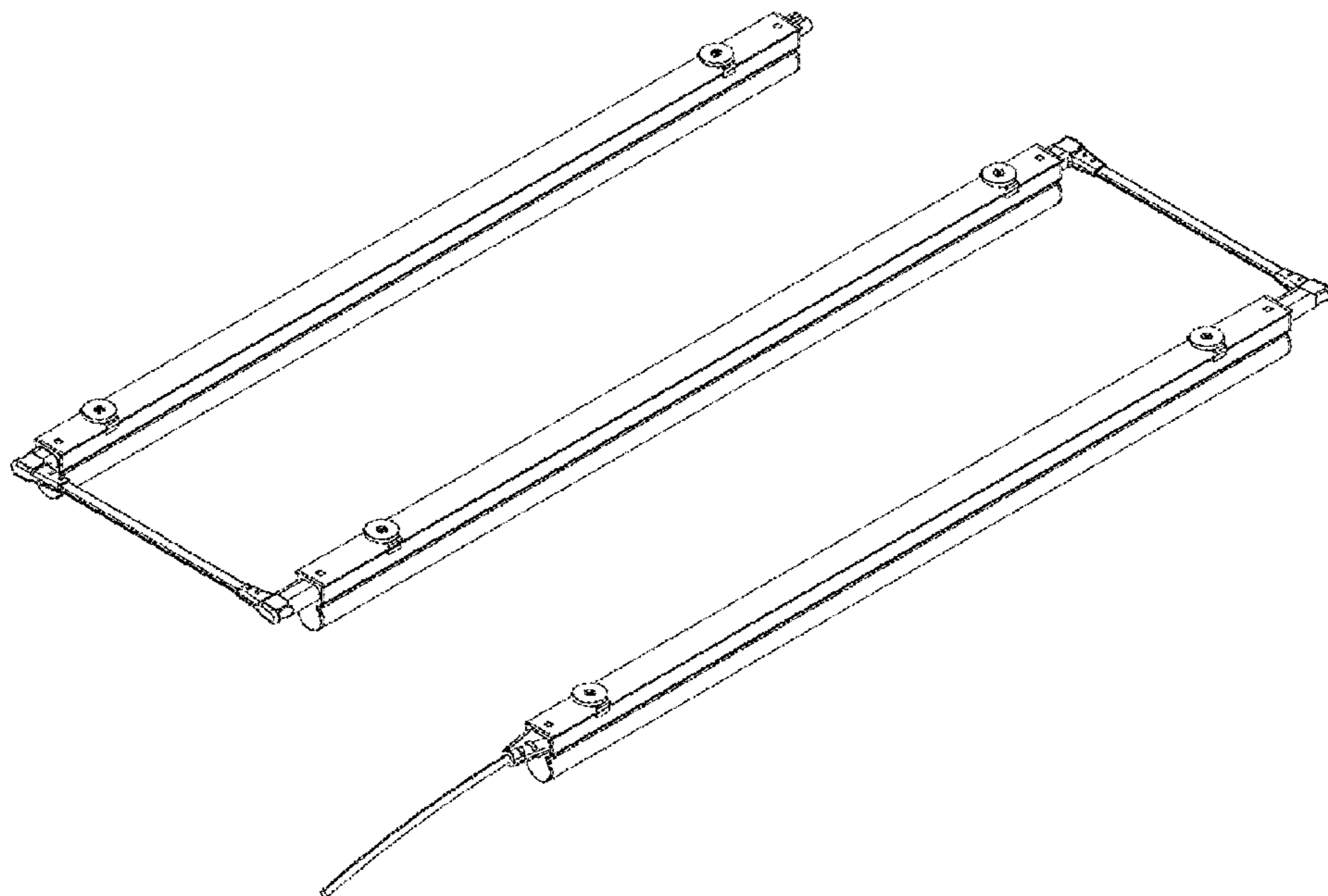
(57) **CLAIM**

The ornamental design for a light fixture, as shown and described.

DESCRIPTION

FIG. 1 is a perspective view of a light fixture showing our new design;
FIG. 2 is a front view thereof;
FIG. 3 is a rear view thereof;
FIG. 4 is a left side view thereof;
FIG. 5 is a right side view thereof;
FIG. 6 is a top view thereof; and,
FIG. 7 is a bottom view thereof.

1 Claim, 5 Drawing Sheets



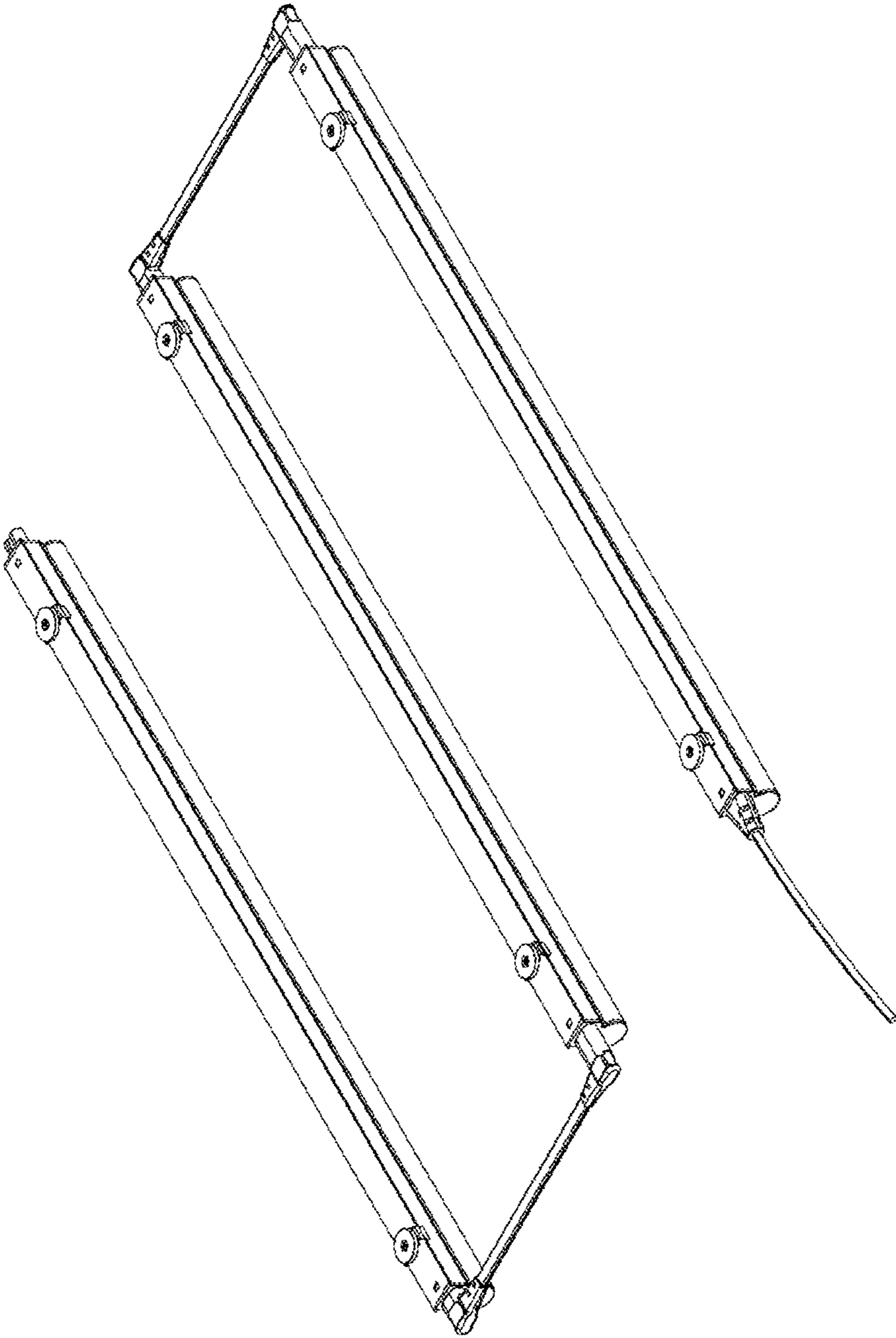


Fig. 1

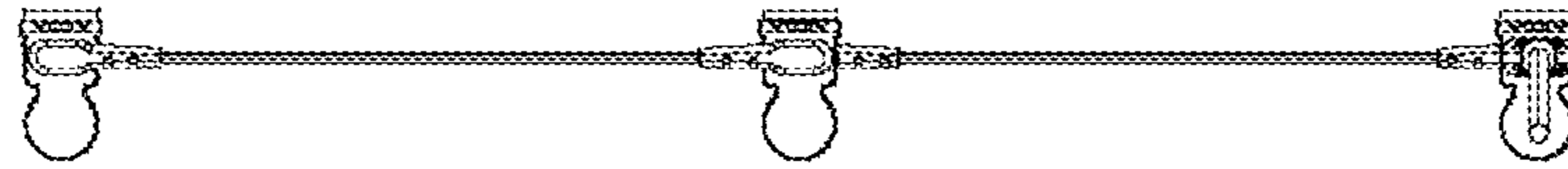


Fig. 2

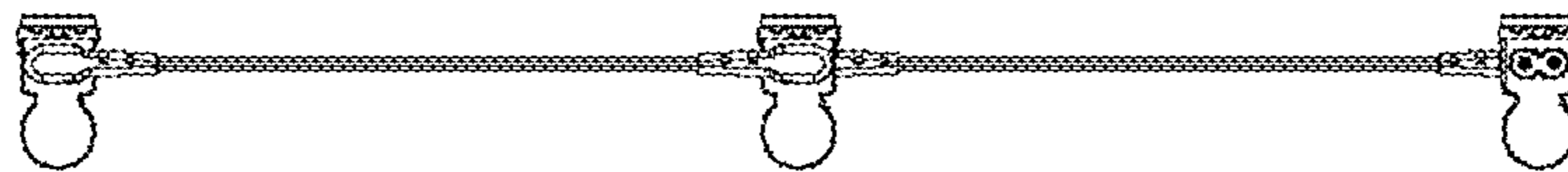


Fig. 3

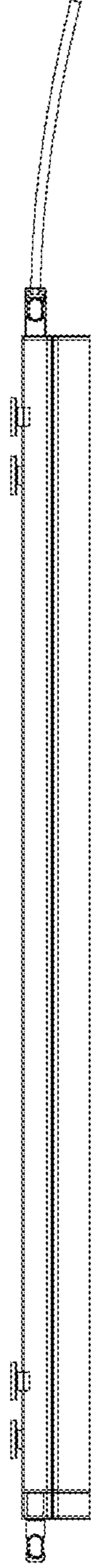


Fig. 4

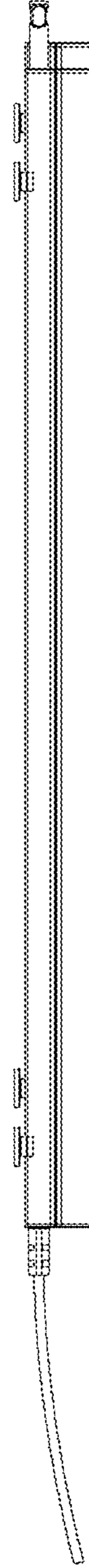


Fig. 5

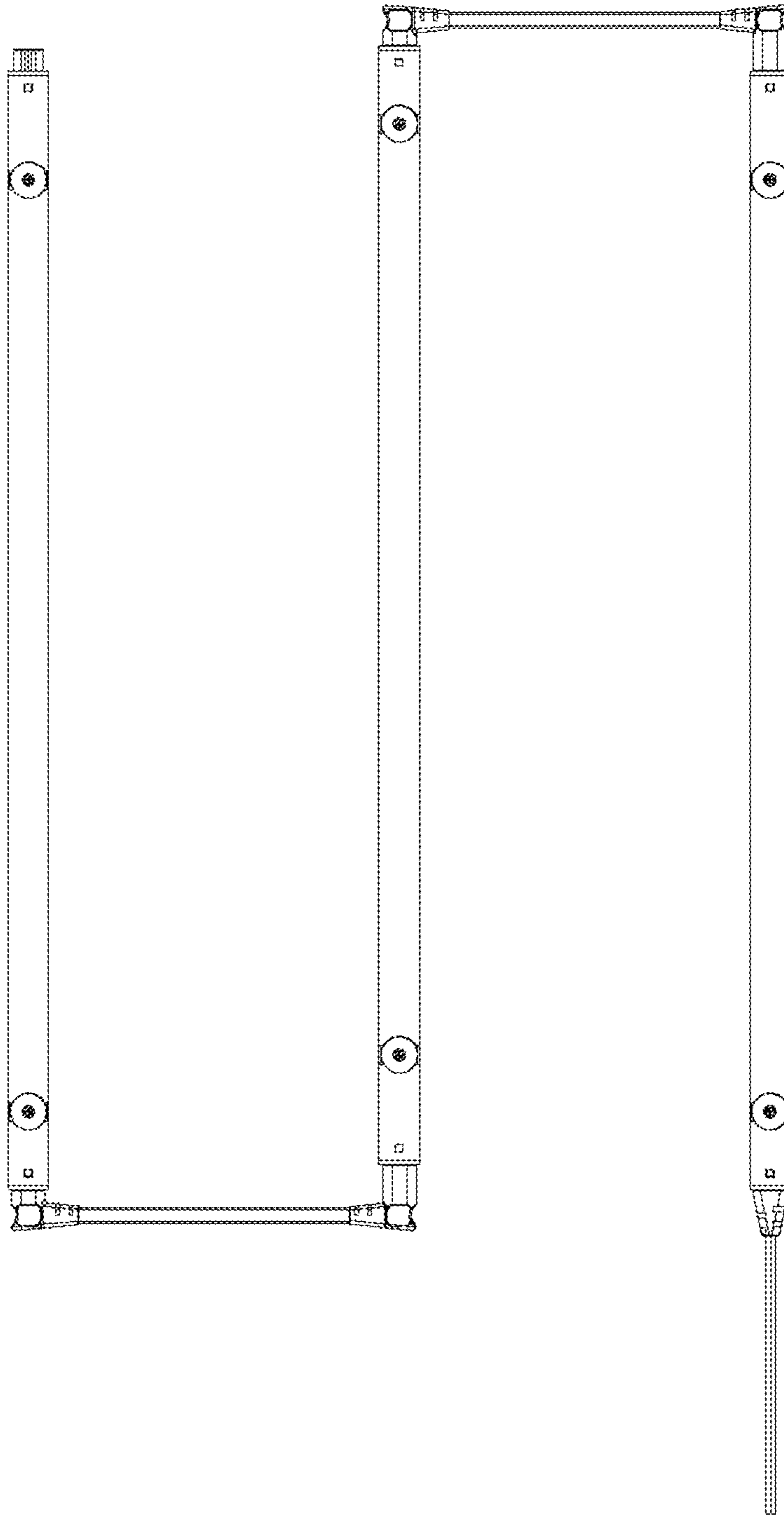


Fig. 6

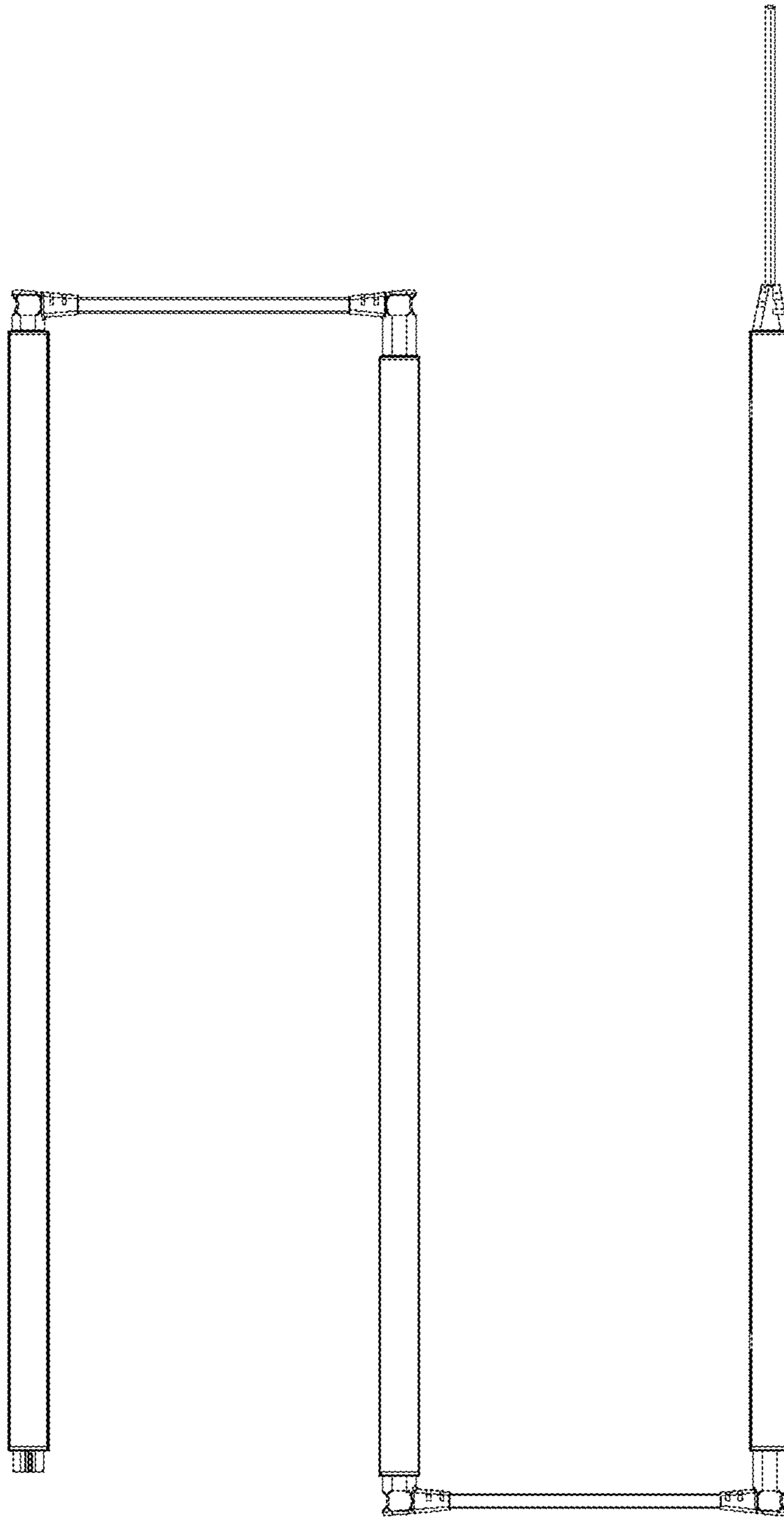


Fig. 7