



US00D950778S

(12) **United States Design Patent**
Yang

(10) **Patent No.:** **US D950,778 S**

(45) **Date of Patent:** **** May 3, 2022**

- (54) **SOUND-ABSORBING WALL STICKER**
- (71) Applicant: **Dongguan Zhenzhen Commodity Trading Co., Ltd., Dongguan (CN)**
- (72) Inventor: **Wu Yang, Guangdong (CN)**
- (73) Assignee: **DONGGUAN ZHENZHEN COMMODITY TRADING CO., LTD., Dongguan (CN)**

4,960,184	A *	10/1990	Woodward	E04B 1/86 181/287
5,160,816	A *	11/1992	Chlop	E04B 1/84 181/285
5,854,453	A *	12/1998	Fujiwara	G10K 11/172 181/293
5,969,301	A *	10/1999	Cullum, Jr.	E04B 1/86 181/286
D635,691	S *	4/2011	Rubin	D25/119
2003/0006092	A1*	1/2003	D'Antonio	E04B 1/86 181/293
2007/0034448	A1*	2/2007	D'Antonio	E04B 1/86 181/293

(**) Term: **15 Years**

- (21) Appl. No.: **29/768,857**
- (22) Filed: **Feb. 1, 2021**
- (51) **LOC (13) Cl.** **25-01**
- (52) **U.S. Cl.**
USPC **D25/158**
- (58) **Field of Classification Search**
USPC D25/157, 158, 160; D14/219
CPC E04B 1/99; E04B 1/82; E04B 1/84; E04B
1/8209; E04B 2001/849; E04B
2001/8471; E04B 2001/8414; E04B
2001/8272; E04B 2001/8263; E04B
2001/747; G10K 2210/118; G10K
2210/119

See application file for complete search history.

(56) **References Cited**

U.S. PATENT DOCUMENTS

D192,857	S *	5/1962	Norsted	D25/158
D200,643	S *	3/1965	Sheehan	D25/158
D222,042	S *	9/1971	Gauler	D25/160
D235,637	S *	7/1975	Clayton	D25/160
D243,252	S *	2/1977	Tushinsky	D14/219

FOREIGN PATENT DOCUMENTS

CN 306030424 S 9/2020

* cited by examiner

Primary Examiner — Doris Clark

(74) *Attorney, Agent, or Firm* — Andrew C. Cheng

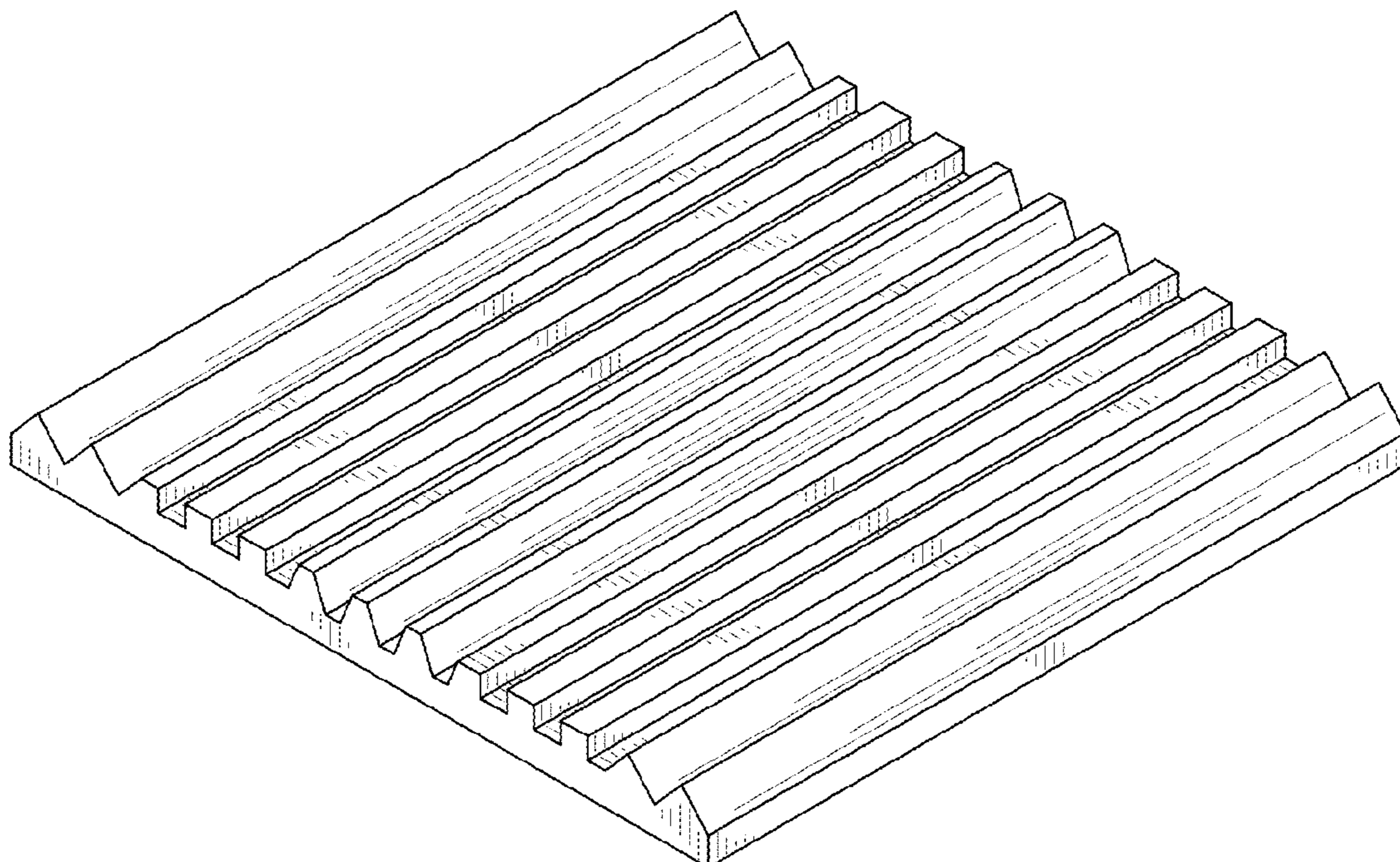
(57) **CLAIM**

The ornamental design for a sound-absorbing wall sticker, as shown and described.

DESCRIPTION

FIG. 1 is a first perspective view of a sound-absorbing wall sticker showing my new design;
 FIG. 2 is a second perspective view thereof;
 FIG. 3 is a front elevational view thereof;
 FIG. 4 is a rear elevational view thereof;
 FIG. 5 is a left elevational view thereof;
 FIG. 6 is a right elevational view thereof;
 FIG. 7 is a top plan view thereof; and,
 FIG. 8 is a bottom plan view thereof.

1 Claim, 8 Drawing Sheets



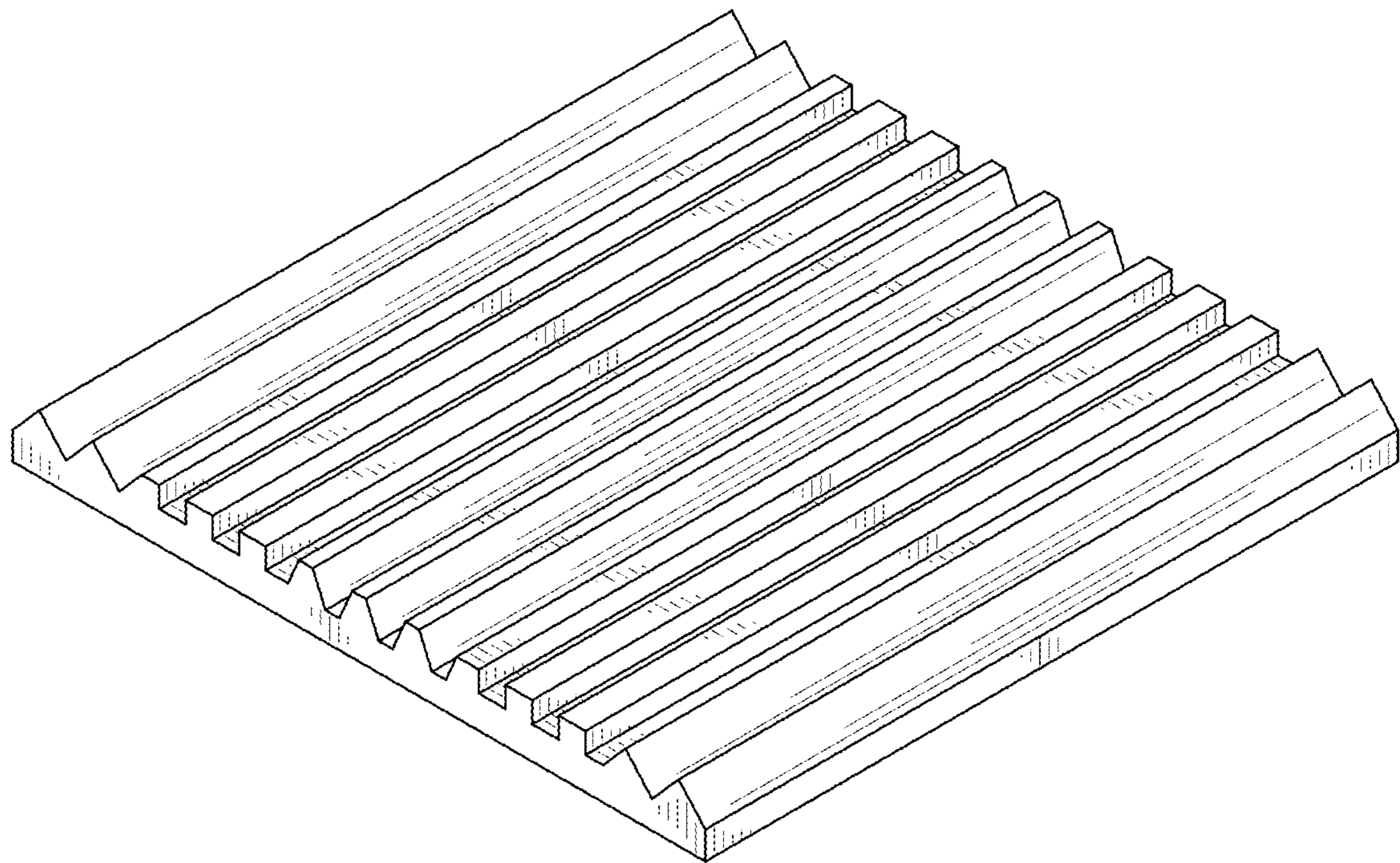


FIG. 1

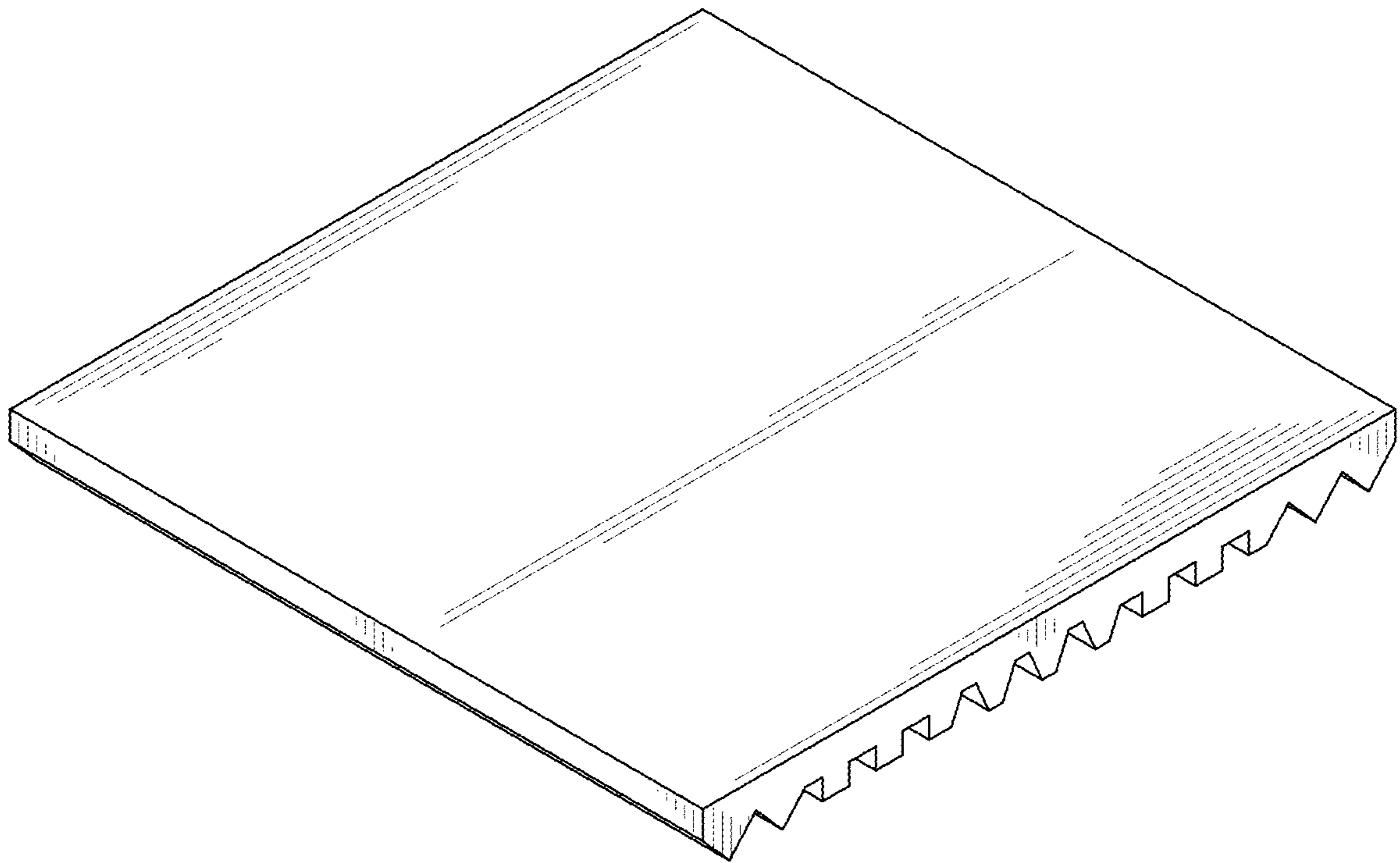


FIG. 2



FIG. 3

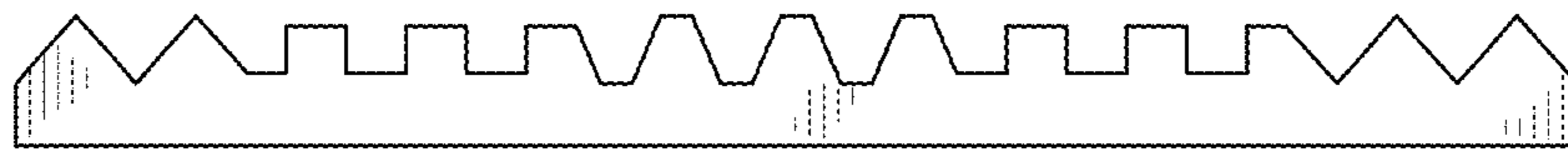


FIG. 4

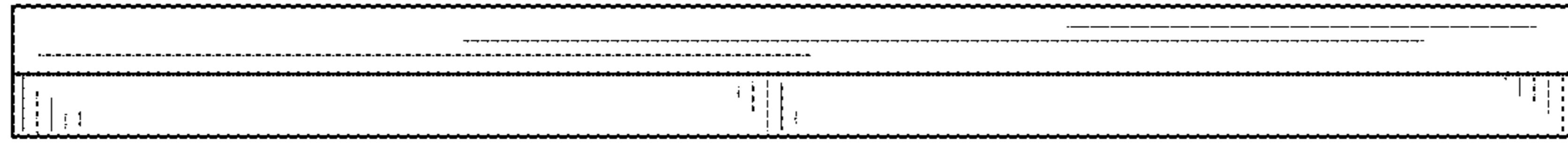


FIG. 5

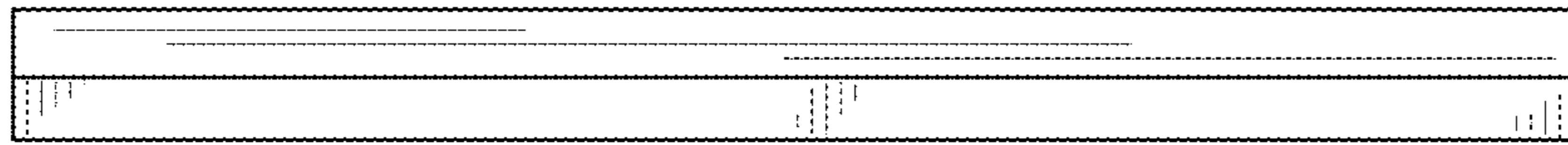


FIG. 6

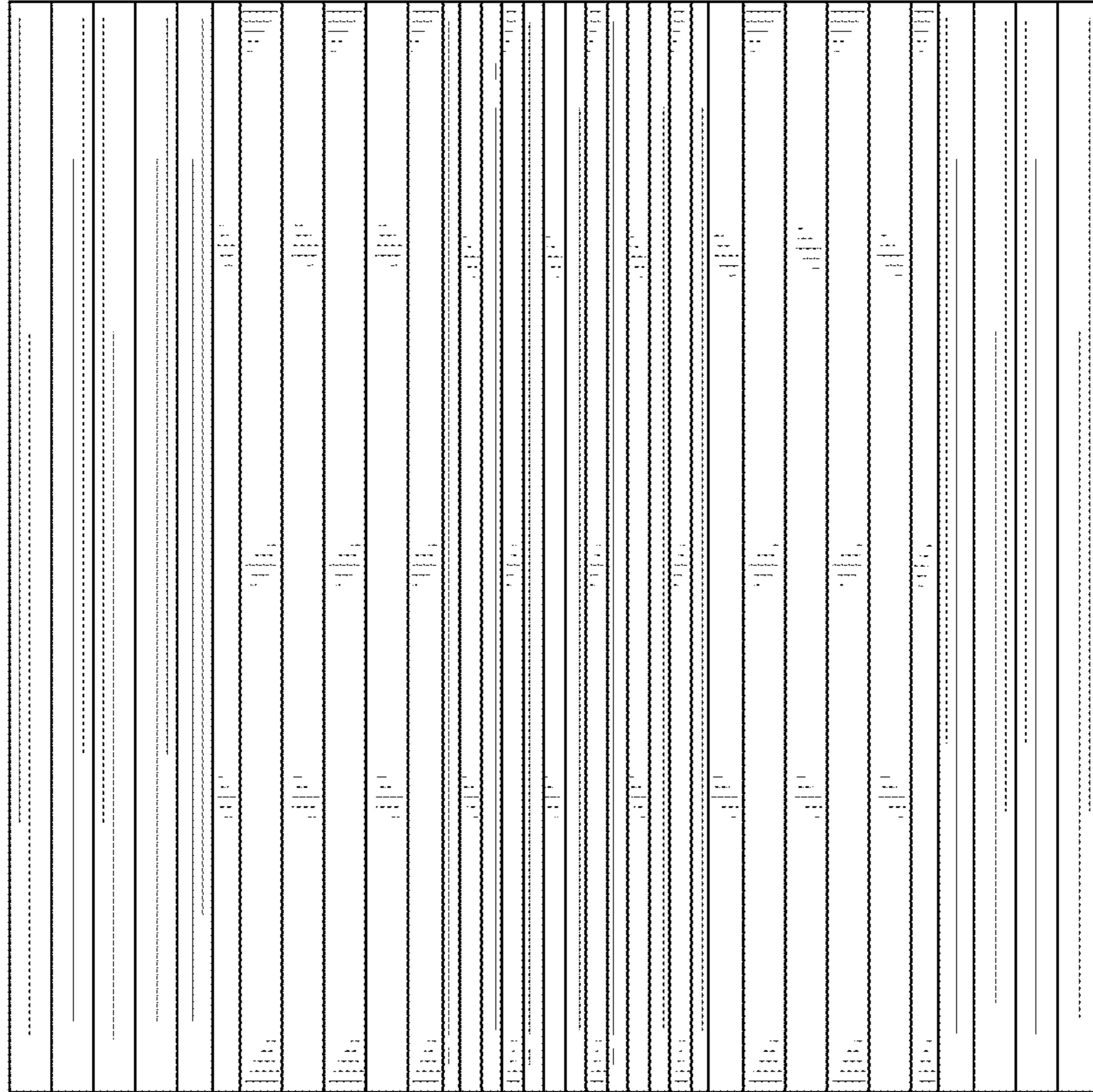


FIG. 7

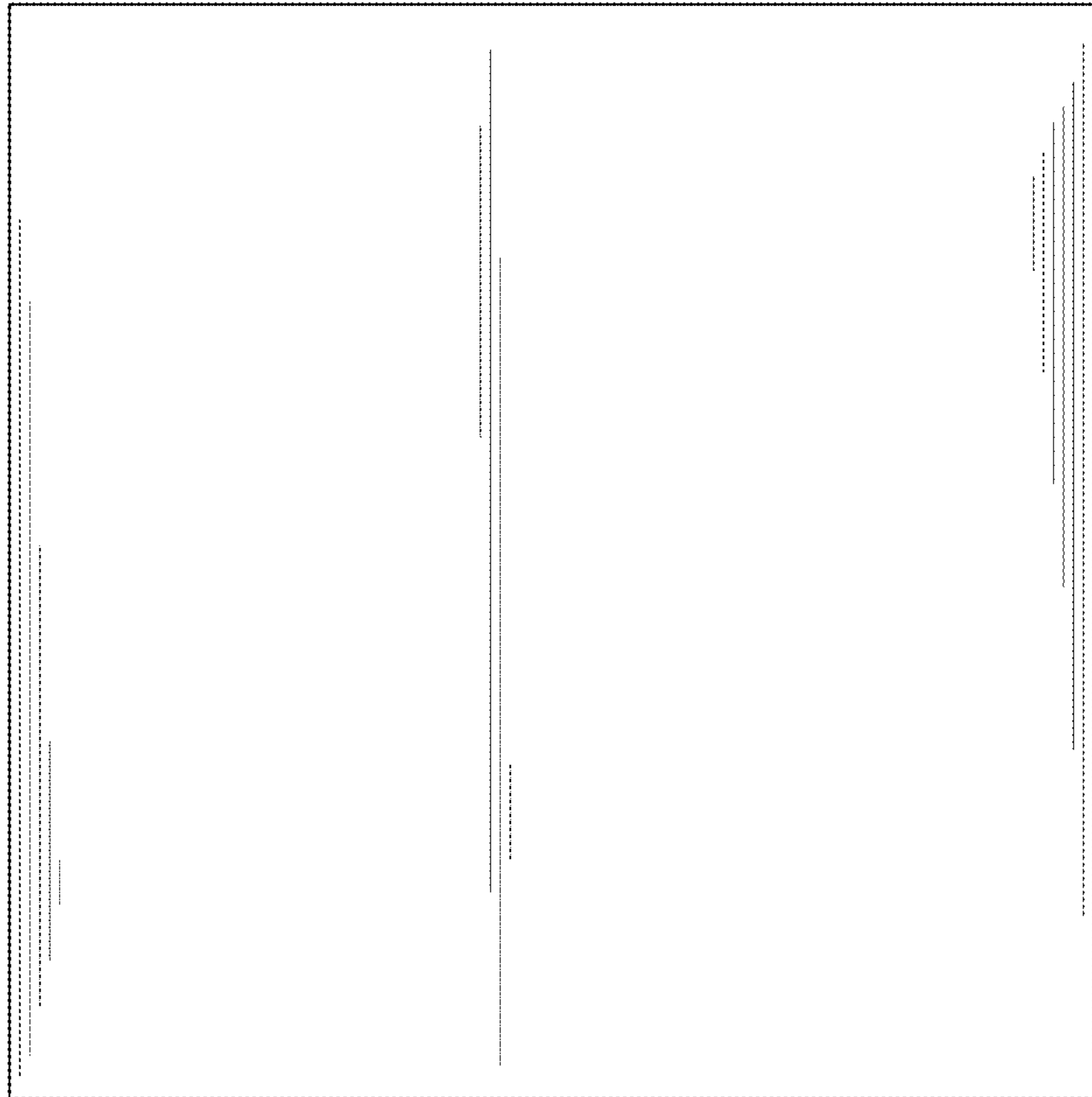


FIG. 8