



US00D950777S

(12) **United States Design Patent** (10) **Patent No.:** **US D950,777 S**
Stants (45) **Date of Patent:** **** May 3, 2022**

(54) **CEILING PANELS**

(71) Applicant: **Hunter Douglas Industries B.V.**,
Rotterdam (NL)
(72) Inventor: **Catholina Elisabeth Stants**, Rotterdam
(NL)
(73) Assignee: **Hunter Douglas Industries B.V.**,
Rotterdam (NL)
(**) Term: **15 Years**
(21) Appl. No.: **35/510,938**

(22) Filed: **Nov. 10, 2020**

(80) **Hague Agreement Data**

Int. Filing Date: **Nov. 10, 2020**
Int. Reg. No.: **DM/211486**
Int. Reg. Date: **Nov. 10, 2020**
Int. Reg. Pub. Date: **Dec. 11, 2020**

(30) **Foreign Application Priority Data**

May 11, 2020 (EM) 007881776

(51) **LOC (13) Cl.** **25-01**

(52) **U.S. Cl.**
USPC **D25/138**

(58) **Field of Classification Search**

USPC D21/484, 485, 488, 489, 491; D25/38.1,
D25/47.1, 48.1, 48.2, 48.3, 48.4, 48.7, 58,
D25/60, 100, 101, 102, 119-122, 124,
D25/126, 129, 143, 144, 153, 155, 156,
D25/157, 158
CPC ... E04C 2/02; E04C 2/04; E04C 2/205; E04C
2/324; E04C 2/326; E04C 2002/3411;
E04C 2002/004; E04C 2002/005; E04D
1/30; E04B 2002/0213; E04B 2002/0245;
E04B 1/64; E04B 1/66

See application file for complete search history.

(56) **References Cited**

U.S. PATENT DOCUMENTS

9,260,863 B2 * 2/2016 Thun E04B 9/34
D760,918 S * 7/2016 Bilge D25/138
D760,919 S * 7/2016 Bilge D25/138
D760,920 S * 7/2016 Bilge D25/138
D760,921 S * 7/2016 Bilge D25/138
D760,922 S * 7/2016 Bilge D25/138
D760,923 S * 7/2016 Bilge D25/138
D849,272 S * 5/2019 Kaump D25/138
D899,633 S * 10/2020 Muller D25/138
D903,151 S * 11/2020 Chao D25/138
D905,293 S * 12/2020 Nencioni D25/138
D912,852 S * 3/2021 Kabatsi D25/138
D921,229 S * 6/2021 Sorensen D25/138

FOREIGN PATENT DOCUMENTS

EM RGN-D211486-001 * 12/2020

* cited by examiner

Primary Examiner — Kevin K Rudzinski

Assistant Examiner — Richard Kearney

(74) *Attorney, Agent, or Firm* — Downs Rachlin Martin
PLLC

(57) **CLAIM**

The ornamental design for ceiling panels, as shown and
described.

DESCRIPTION

- 1. Ceiling Panel
- 1.1 : Perspective
- 1.2 : Perspective
- 1.3 : Front
- 1.4 : Right
- 1.5 : Left
- 1.6 : Top
- 1.7 : Bottom

(Continued)

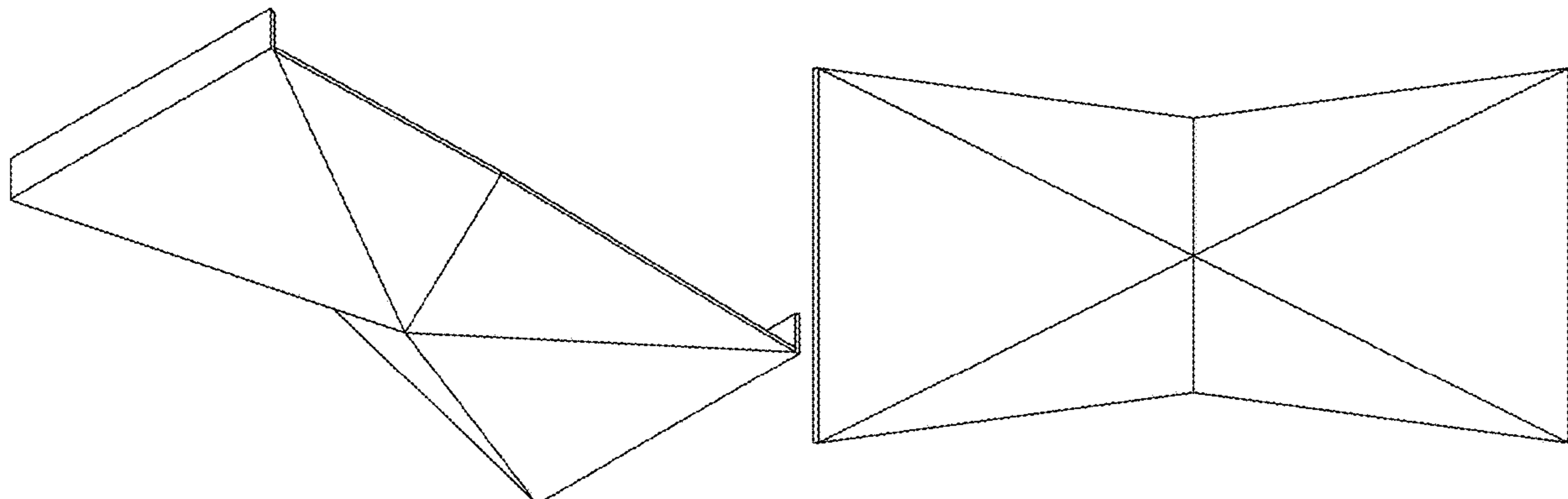
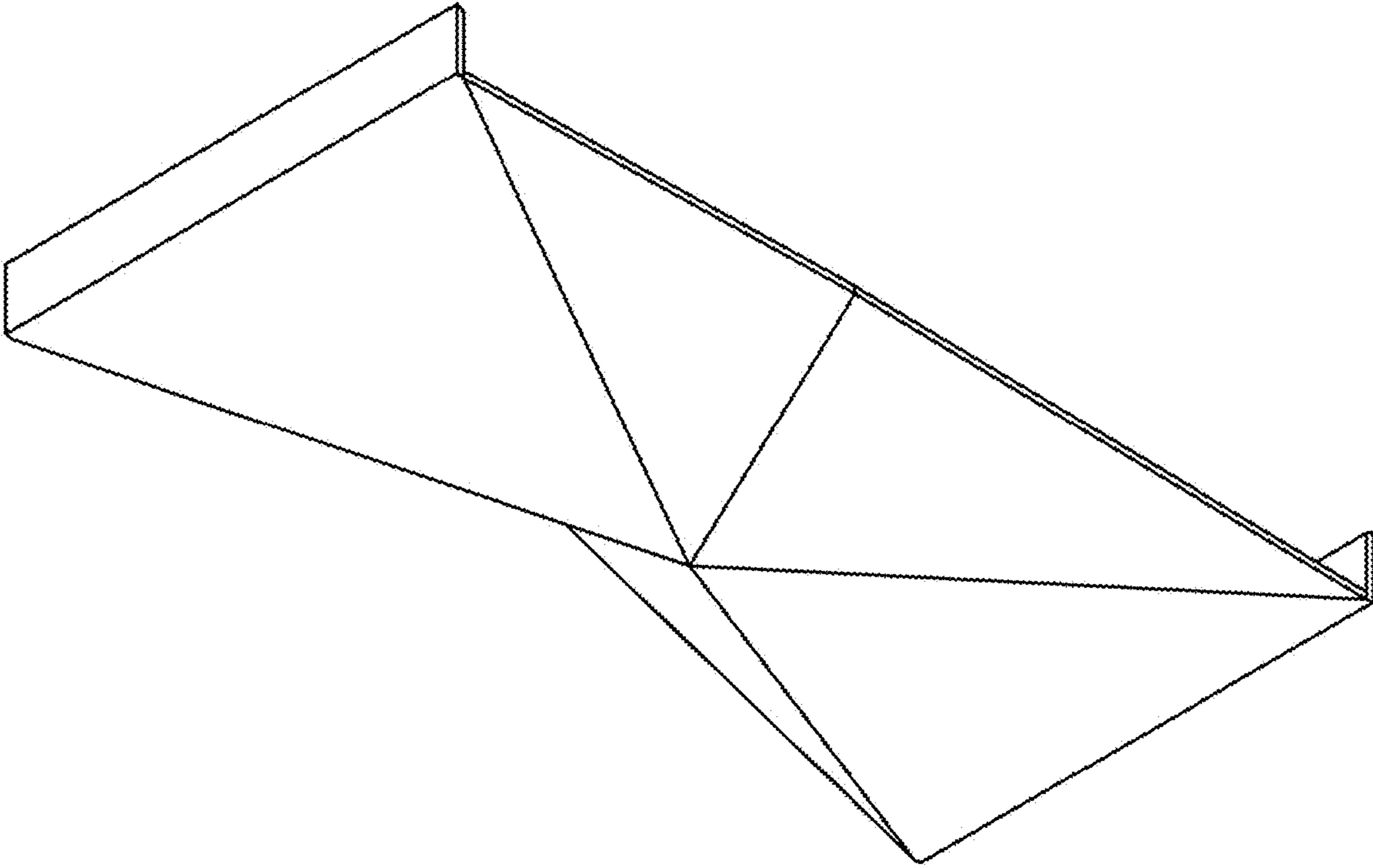


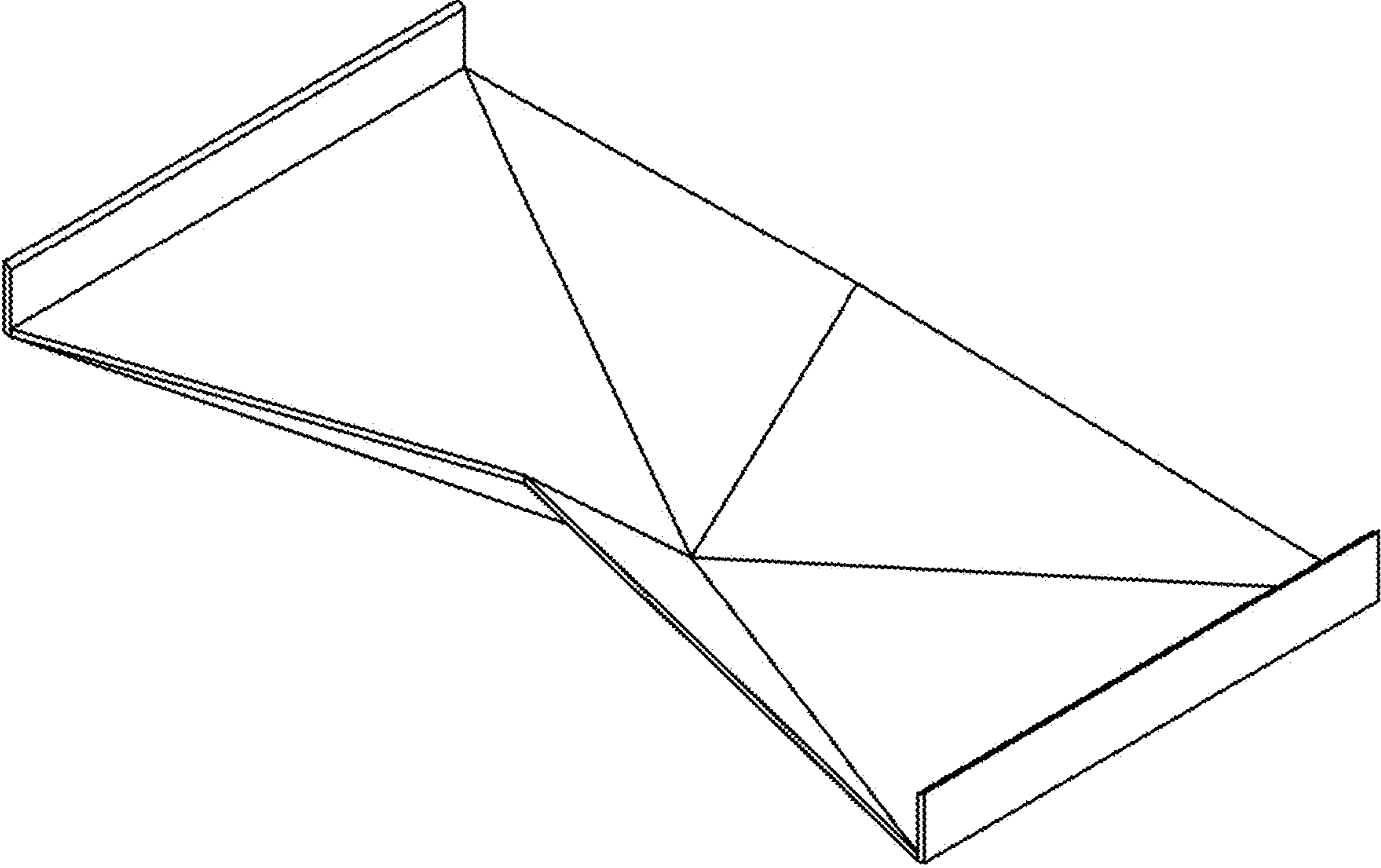
Figure **1.8** shows the ceiling panel assembled with others shown in broken lines in an array; the broken line portion forms no part of the claimed design.

1 Claim, 8 Drawing Sheets

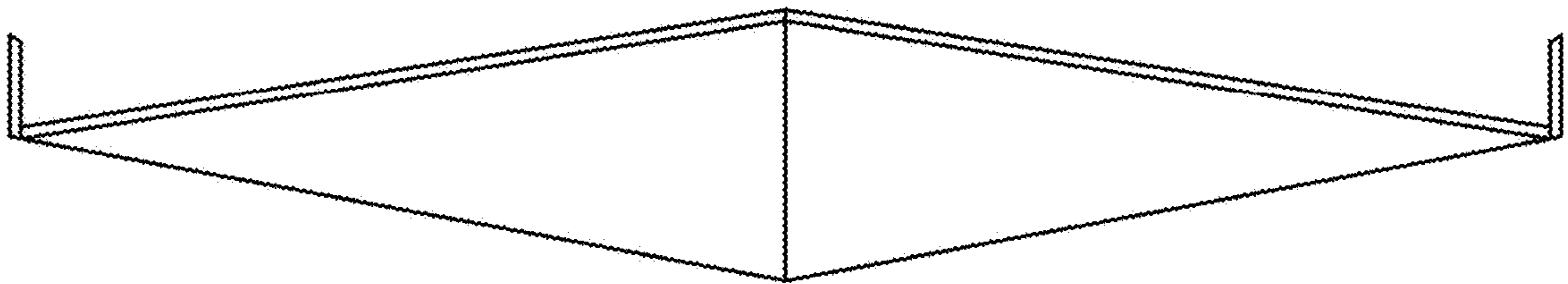
1.1



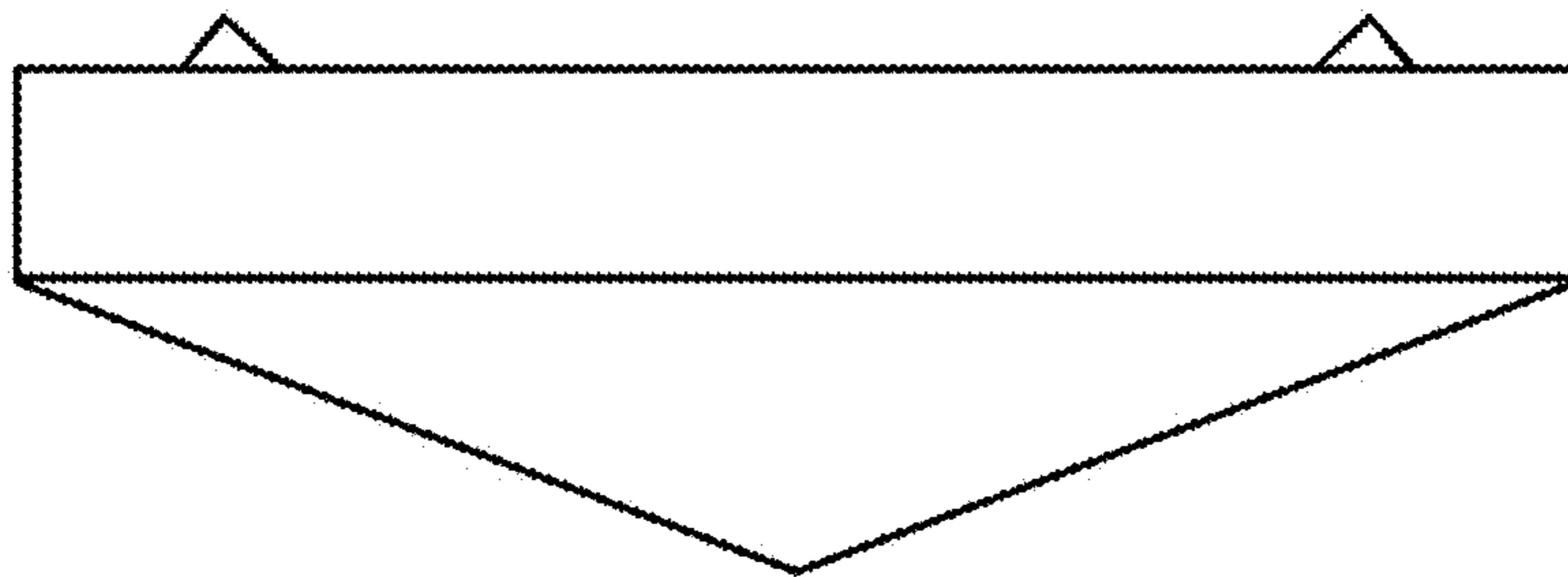
1.2



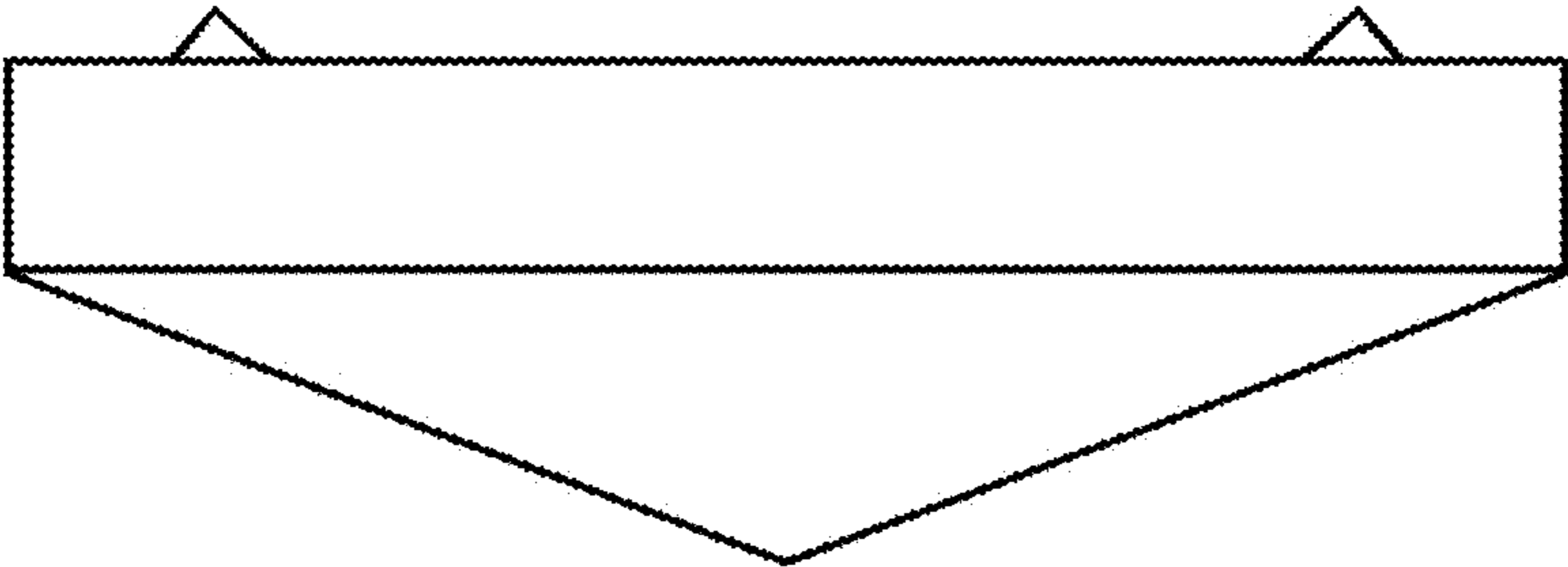
1.3



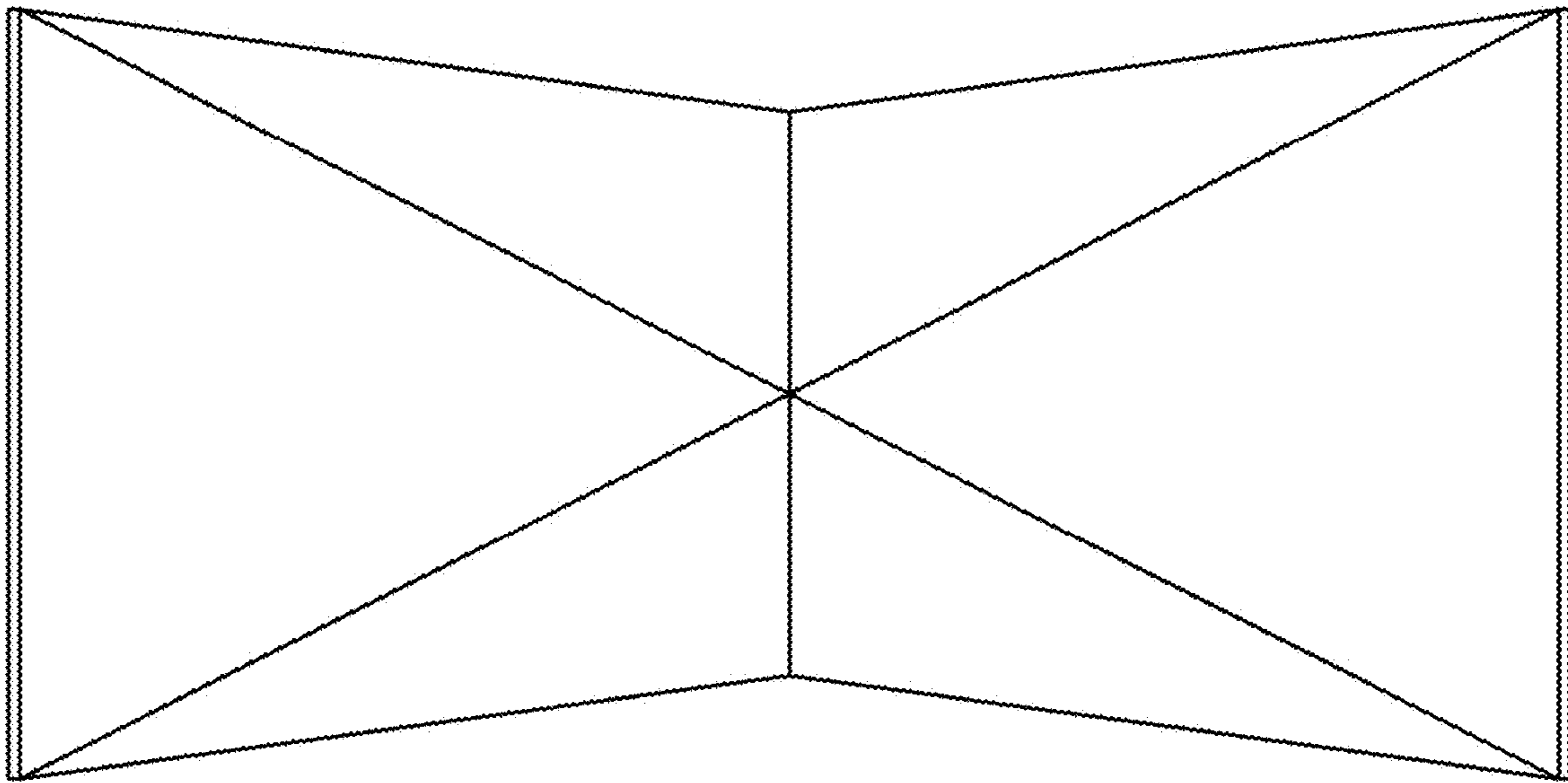
1.4



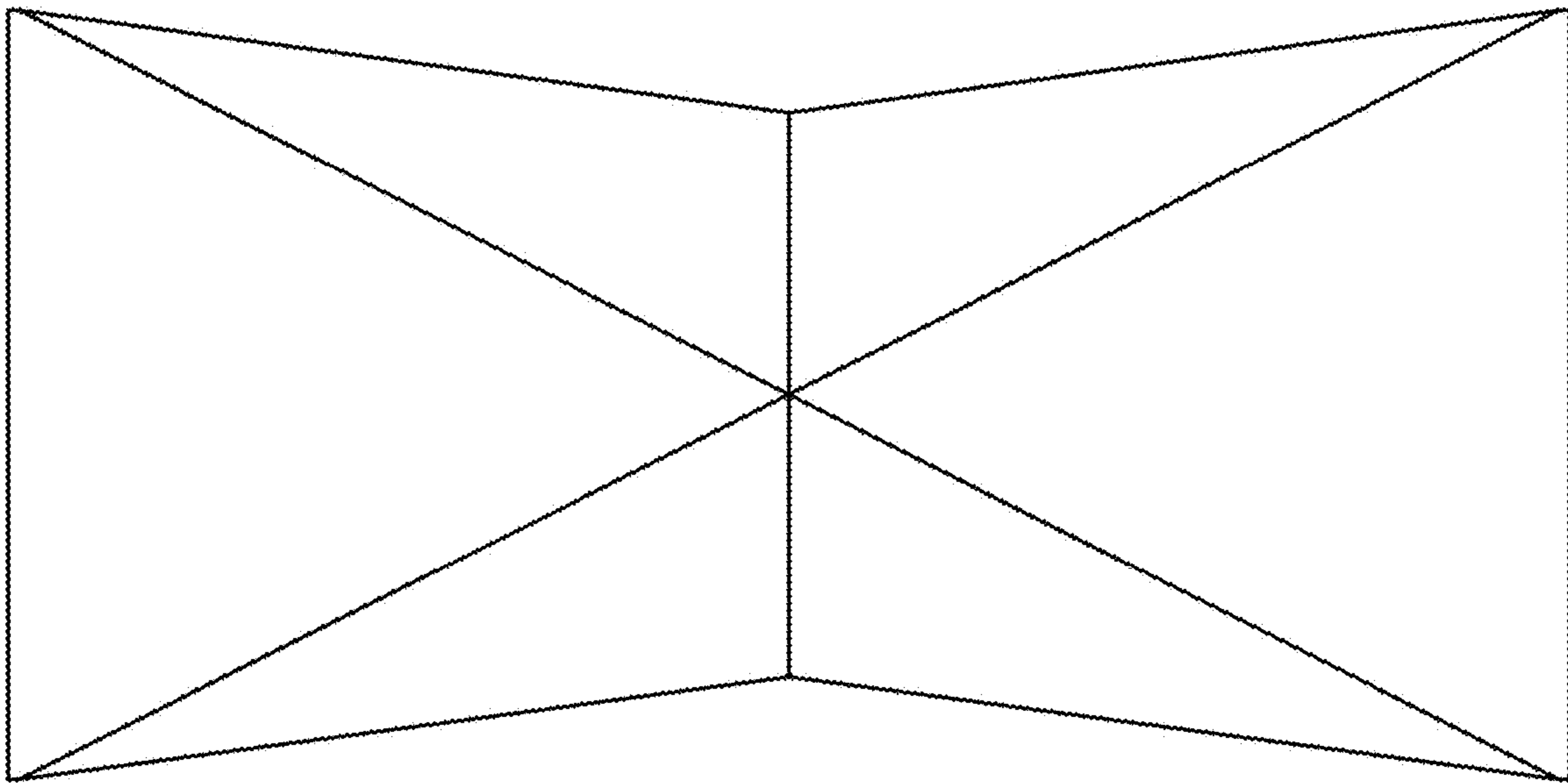
1.5



1.6



1.7



1.8

