



US00D950776S

(12) **United States Design Patent** (10) **Patent No.:** **US D950,776 S**
Shaffer et al. (45) **Date of Patent:** **** May 3, 2022**

(54) **BEAM**

D780,329 S * 2/2017 Li D25/119
D829,349 S * 9/2018 Hynek D25/119
2020/0173171 A1* 6/2020 Lin E04B 9/068

(71) Applicant: **Worthington Armstrong Venture,**
Malvern, PA (US)

FOREIGN PATENT DOCUMENTS

(72) Inventors: **Nicholas Shaffer,** Norristown, PA (US);
Yu Lin, Blue Bell, PA (US); **Joshua L. Neal,** Phoenixville, PA (US); **Jason Robbins,** East Earl, PA (US); **Dustin Hostetter,** Palmyra, PA (US)

BR 3020120014140 7/2012
BR 71023844 12/2012
BR 3020190019752 10/2019
BR 3020200019261 5/2020
BR 3020210003953 3/2021

* cited by examiner

(73) Assignee: **Worthington Armstrong Venture,**
Malvern, PA (US)

Primary Examiner — Samantha Q Lawrence

(**) Term: **15 Years**

(74) *Attorney, Agent, or Firm* — Stradley Ronon Stevens & Young, LLP

(21) Appl. No.: **29/721,784**

(57) **CLAIM**

(22) Filed: **Jan. 23, 2020**

The ornamental design for a beam, as shown and described.

(51) **LOC (13) Cl.** **25-01**

DESCRIPTION

(52) **U.S. Cl.**

USPC **D25/126**

(58) **Field of Classification Search**

USPC D25/119, 125, 126, 127, 128, 129, 130,
D25/131, 132, 133, 134, 135

CPC E04B 9/068; E04C 3/07; E04C 2003/046
See application file for complete search history.

FIG. 1 is a top right perspective view of the beam;
FIG. 2 is a top left perspective view of the beam;
FIG. 3 is a bottom left perspective view of the beam;
FIG. 4 is a top plan view of the beam;
FIG. 5 is a bottom plan view of the beam;
FIG. 6 is a right elevation view of the beam;
FIG. 7 is a left elevation view of the beam;
FIG. 8 is a front elevation view of the beam; and,
FIG. 9 is a rear elevation view of the beam.

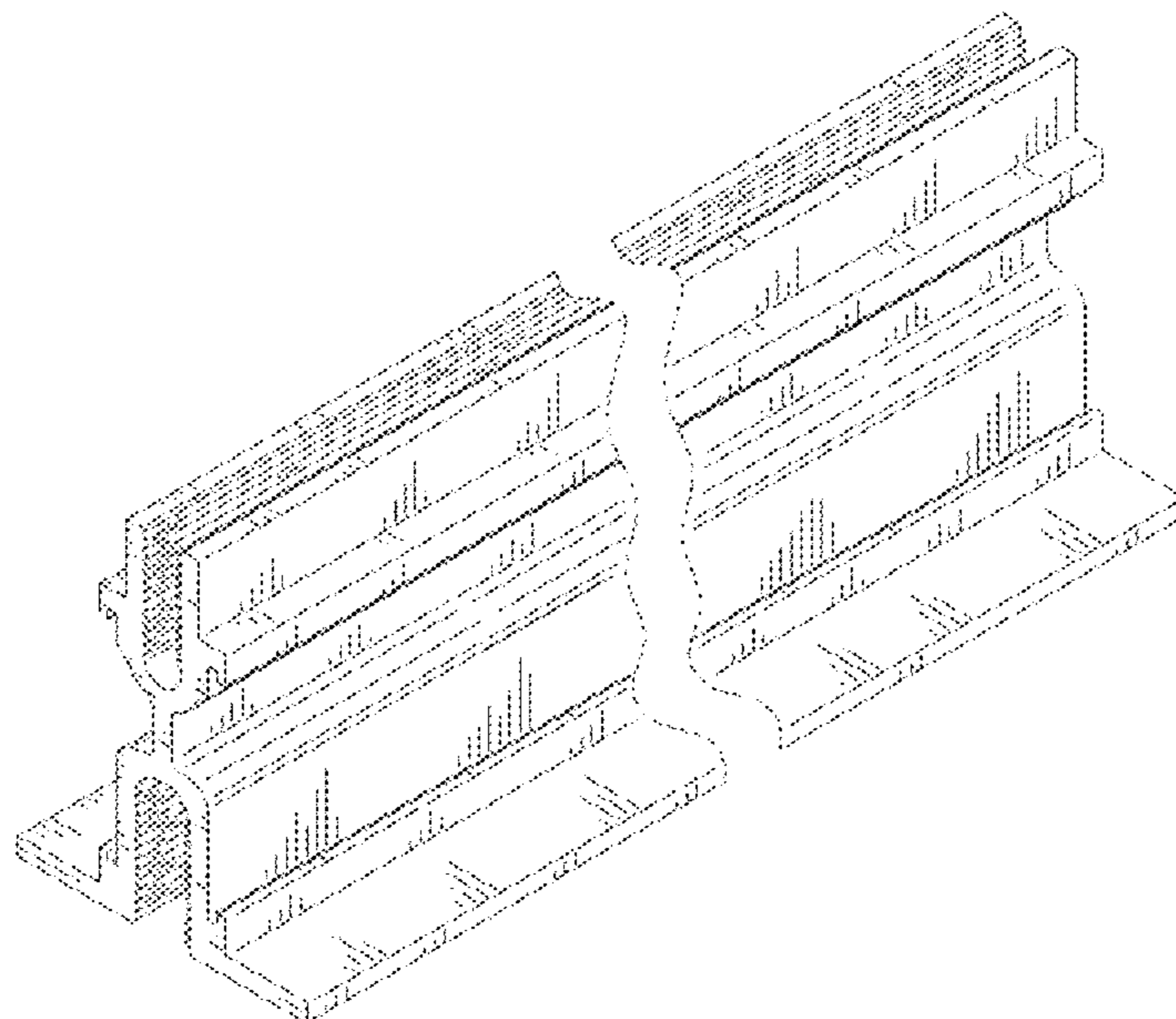
(56) **References Cited**

U.S. PATENT DOCUMENTS

D253,131 S * 10/1979 Broadbent D25/125
D497,010 S * 10/2004 Brabeck D25/119
D718,883 S * 12/2014 Thrush D25/124
D751,734 S * 3/2016 Allen D25/125
D752,774 S * 3/2016 Van Der Woerd D25/125
D767,793 S * 9/2016 Libreiro D25/125
D767,794 S * 9/2016 Libreiro D25/125
D771,277 S * 11/2016 McCue D25/125
D772,432 S * 11/2016 West E04D 13/00
D25/119

Shade lines shown in the accompanying drawings of FIGS. 1-9 represent surface contour only and not texture, color shading, or surface ornamentation. The broken lines shown in FIGS. 1-7 illustrate portions of the beam that form no part of the claimed design. The beam is shown with a symbolic break in its length. The appearance of any portion of the article between the break lines forms no part of the claimed design.

1 Claim, 7 Drawing Sheets



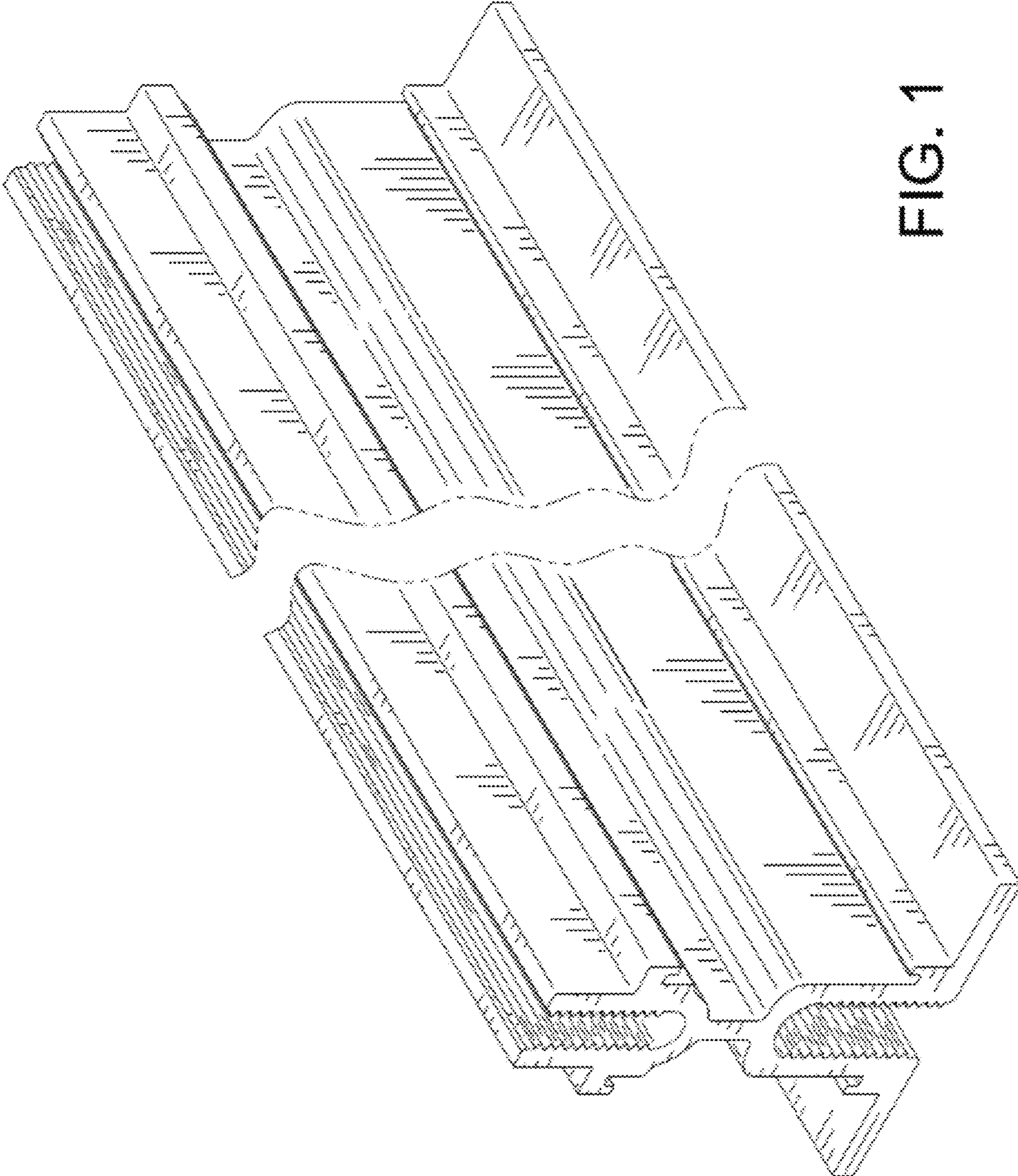


FIG. 1

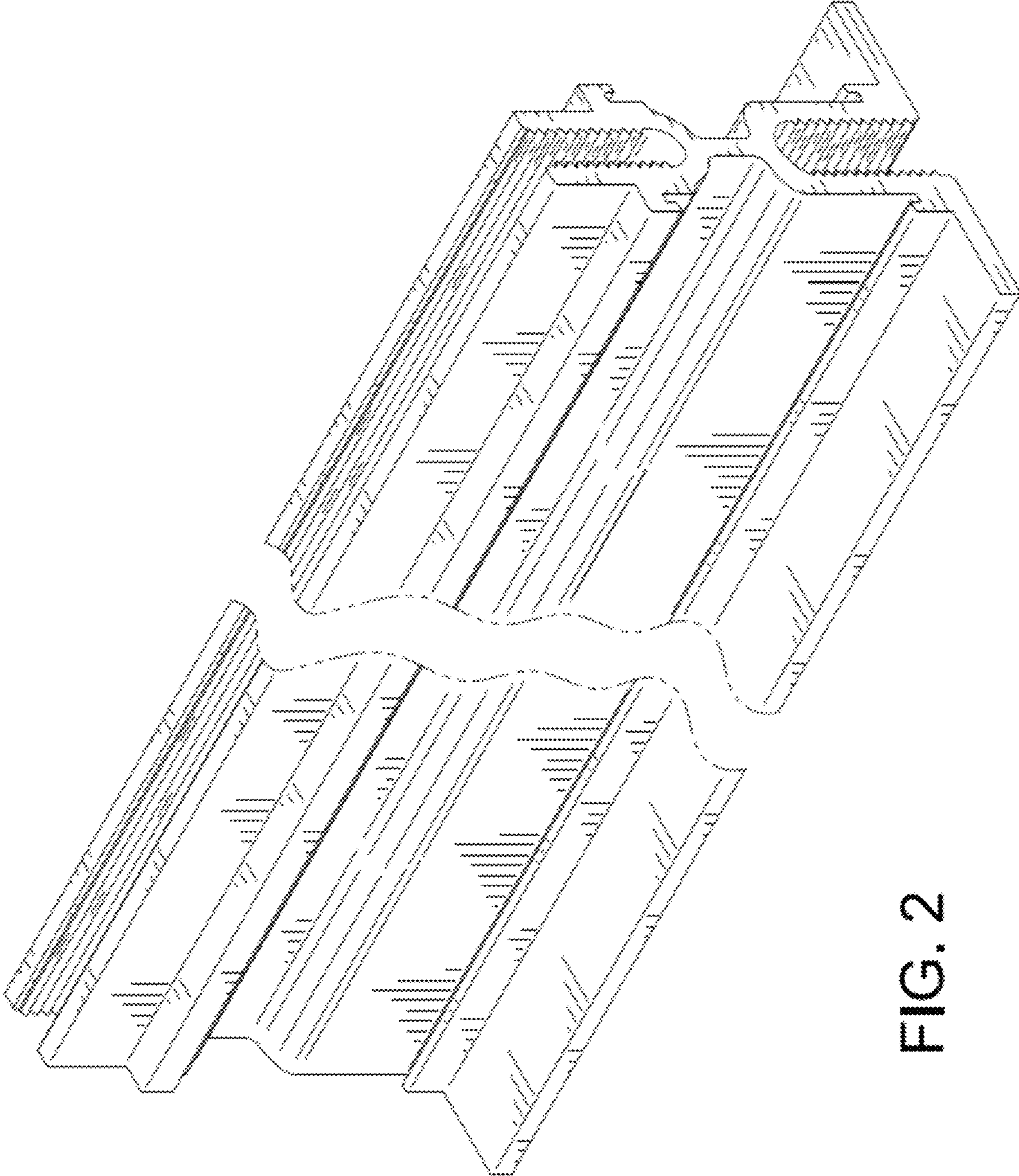


FIG. 2

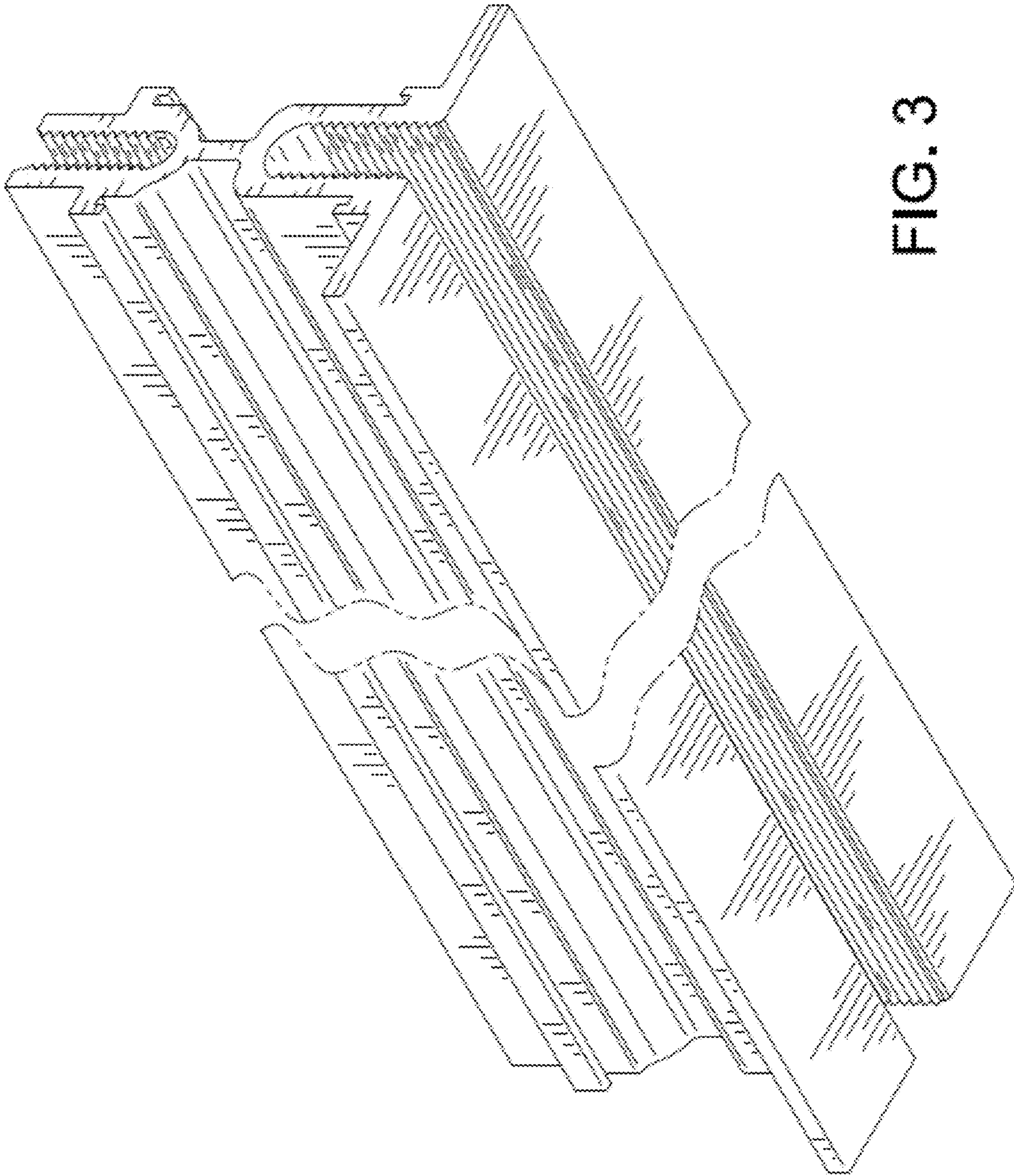


FIG. 3

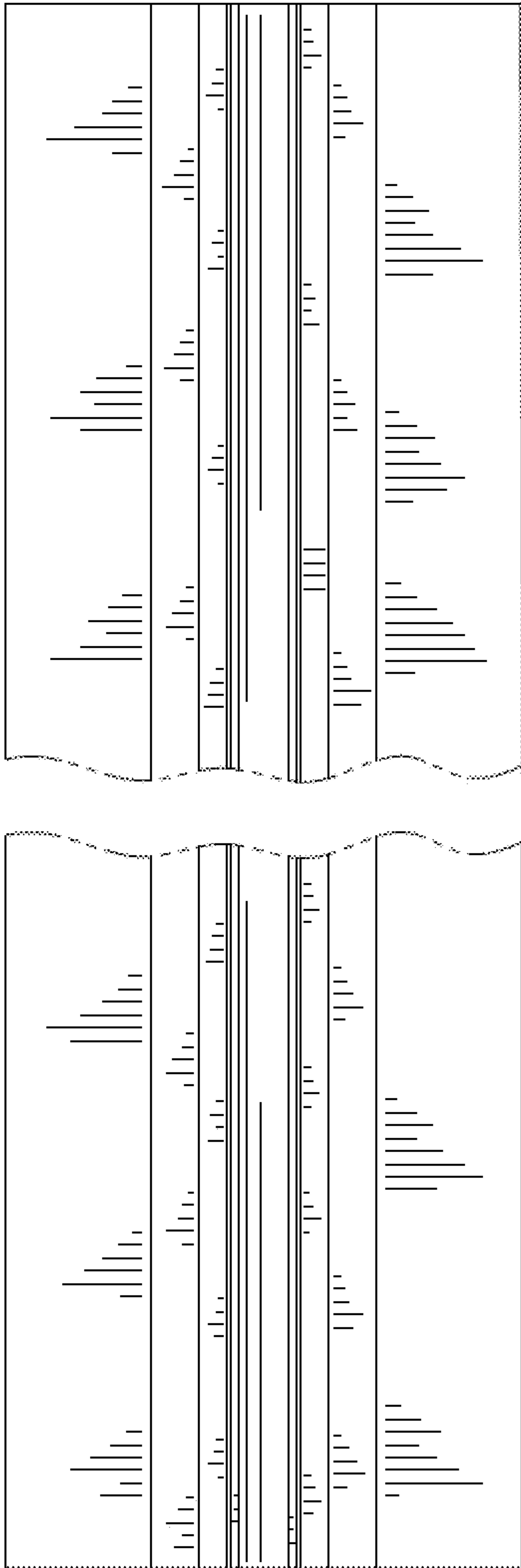


FIG. 4

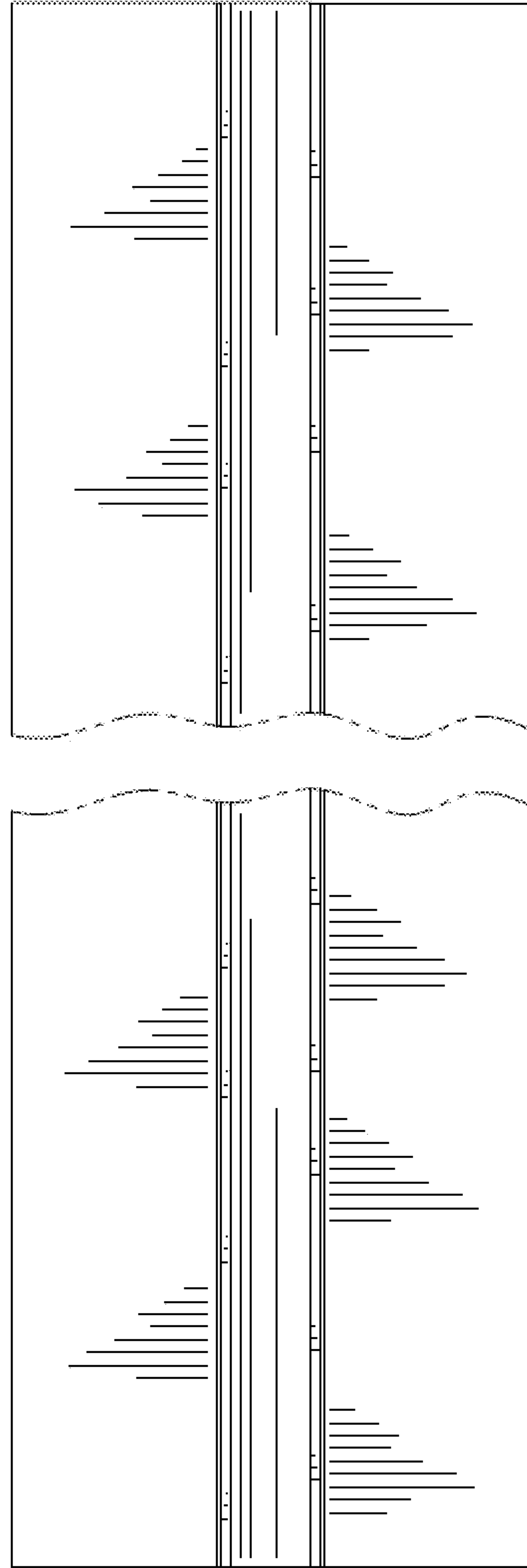


FIG. 5

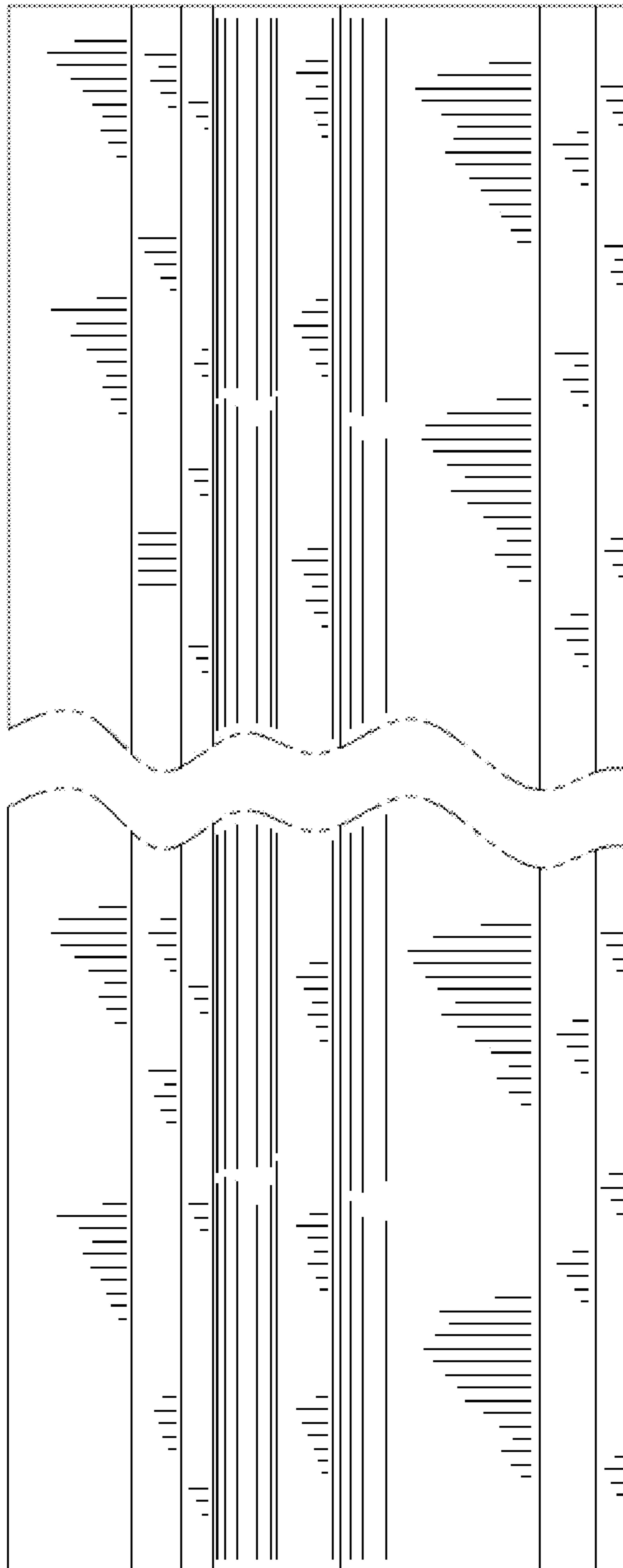


FIG. 6

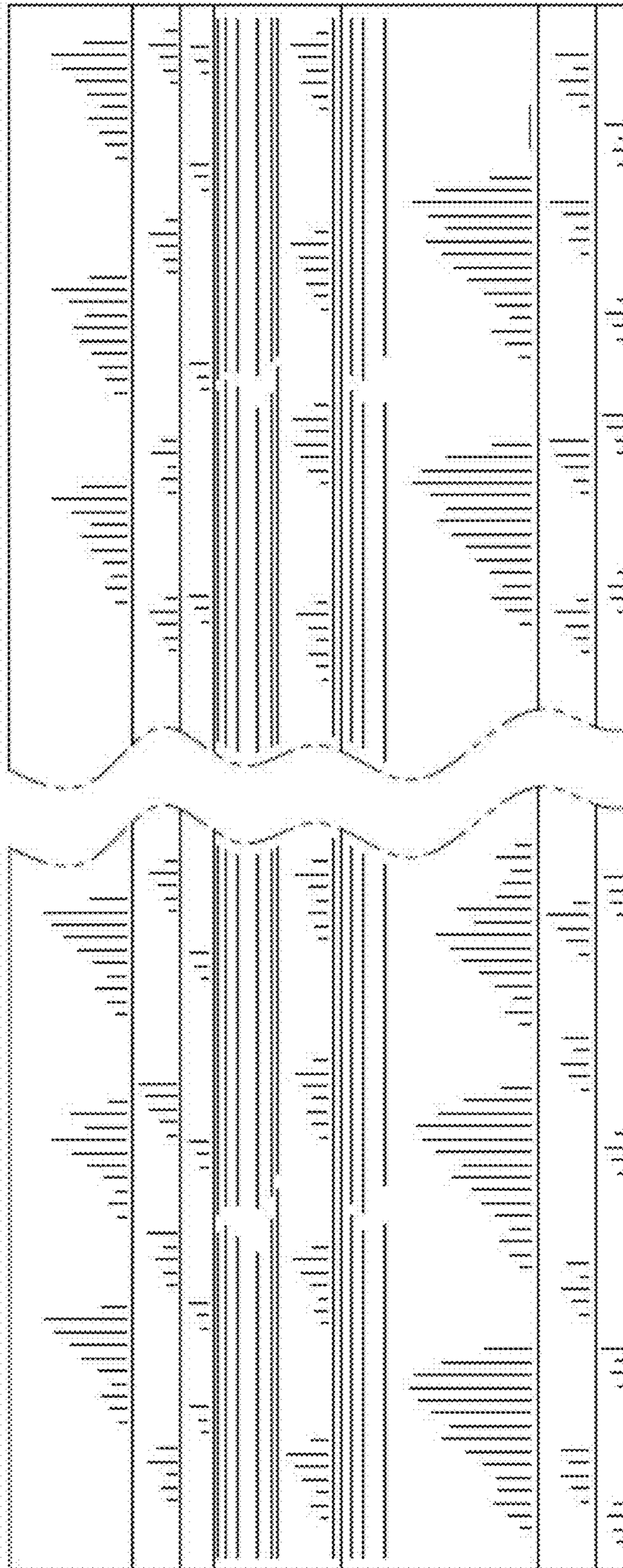


FIG. 7

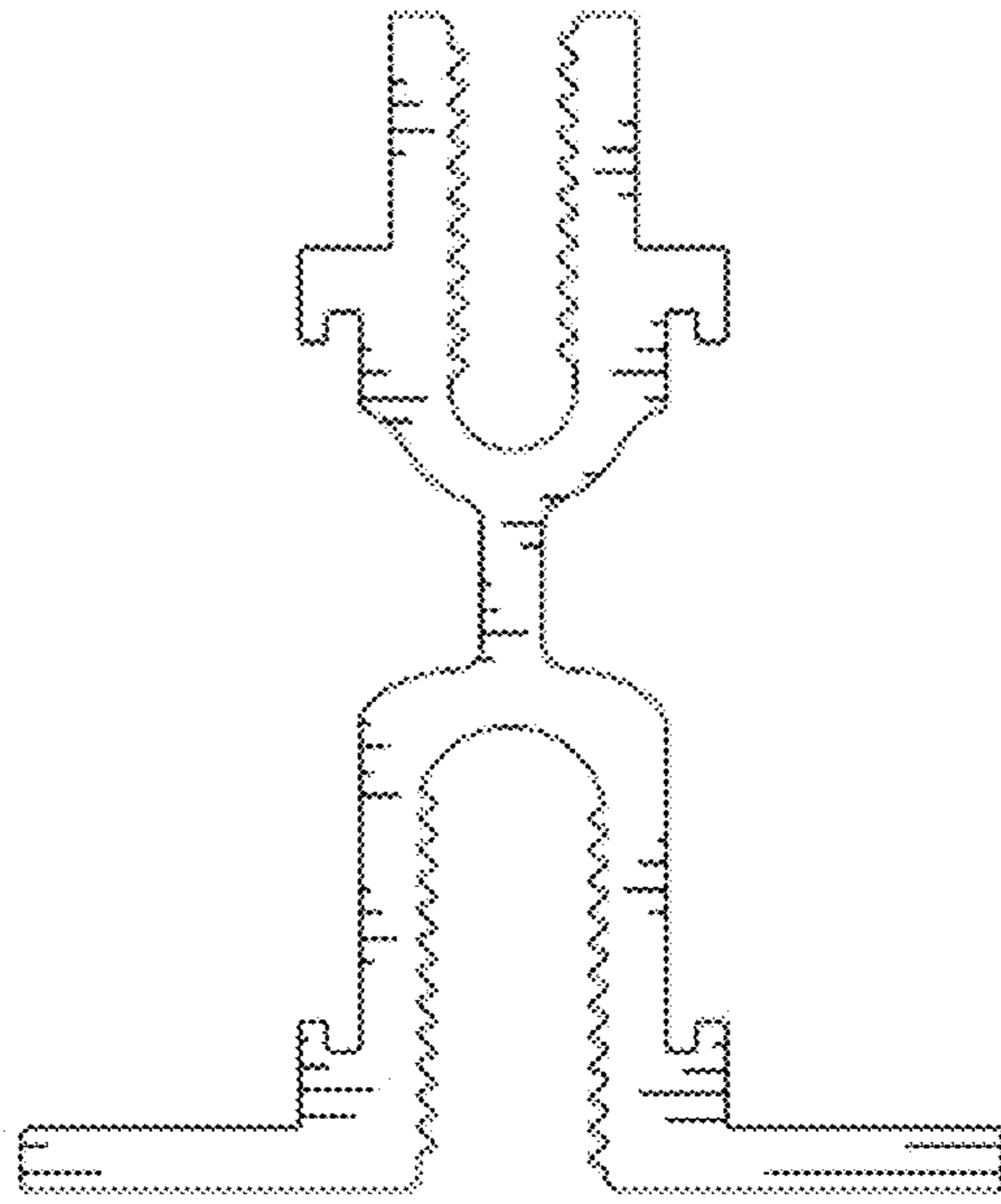


FIG. 8

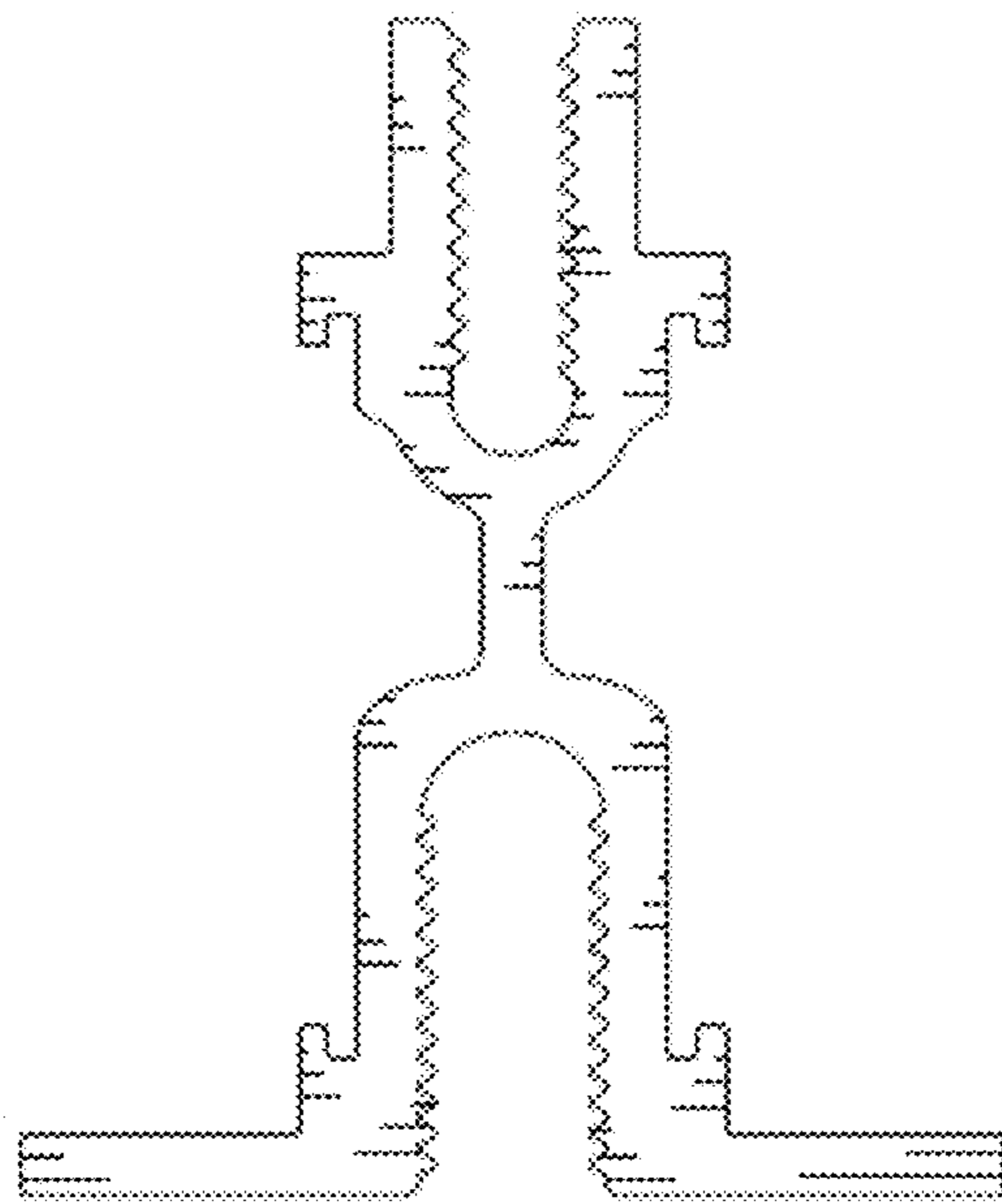


FIG. 9