



US00D950773S

(12) **United States Design Patent** (10) **Patent No.:** **US D950,773 S**
Hinojosa (45) **Date of Patent:** **** May 3, 2022**

(54) **GATE OPENER STAND**

(71) Applicant: **Troy Hinojosa**, Corpus Christi, TX (US)

(72) Inventor: **Troy Hinojosa**, Corpus Christi, TX (US)

(**) Term: **15 Years**

(21) Appl. No.: **29/744,677**

(22) Filed: **Jul. 30, 2020**

(51) **LOC (13) Cl.** **08-05**

(52) **U.S. Cl.**
USPC **D25/48.5**; D8/380

(58) **Field of Classification Search**
USPC D8/354, 363, 373, 374, 380; D13/112, D13/118, 122, 184, 199; D25/38.1, 48.1, D25/48.5, 199
CPC E05F 15/53; E05F 15/616; E05F 15/622; E05F 15/624; E05F 15/627; E05F 15/63; E05F 15/70; E05F 1/025; E06B 11/02; E01F 13/06
See application file for complete search history.

D301,621 S * 6/1989 Muntz D25/48.5
4,850,094 A * 7/1989 Lybecker E05F 15/616 29/434
5,136,813 A * 8/1992 Gibbs E05D 15/0617 49/404

(Continued)

FOREIGN PATENT DOCUMENTS

CN 304156019 * 6/2017
CN 304223828 * 7/2017
GB 6060043 * 5/2019

OTHER PUBLICATIONS

Troy's Fence Facebook <https://www.facebook.com/pg/TroysFenceCCTX/posts/> Posted Mar. 3, 2021 (Year: 2021).*

(Continued)

Primary Examiner — Leanne Was-Englehart
(74) *Attorney, Agent, or Firm* — Miguel Villarreal, Jr.; Gun, Lee & Cave, P.C.

(57) **CLAIM**

The ornamental design for a gate opener stand, as shown and described.

(56) **References Cited**

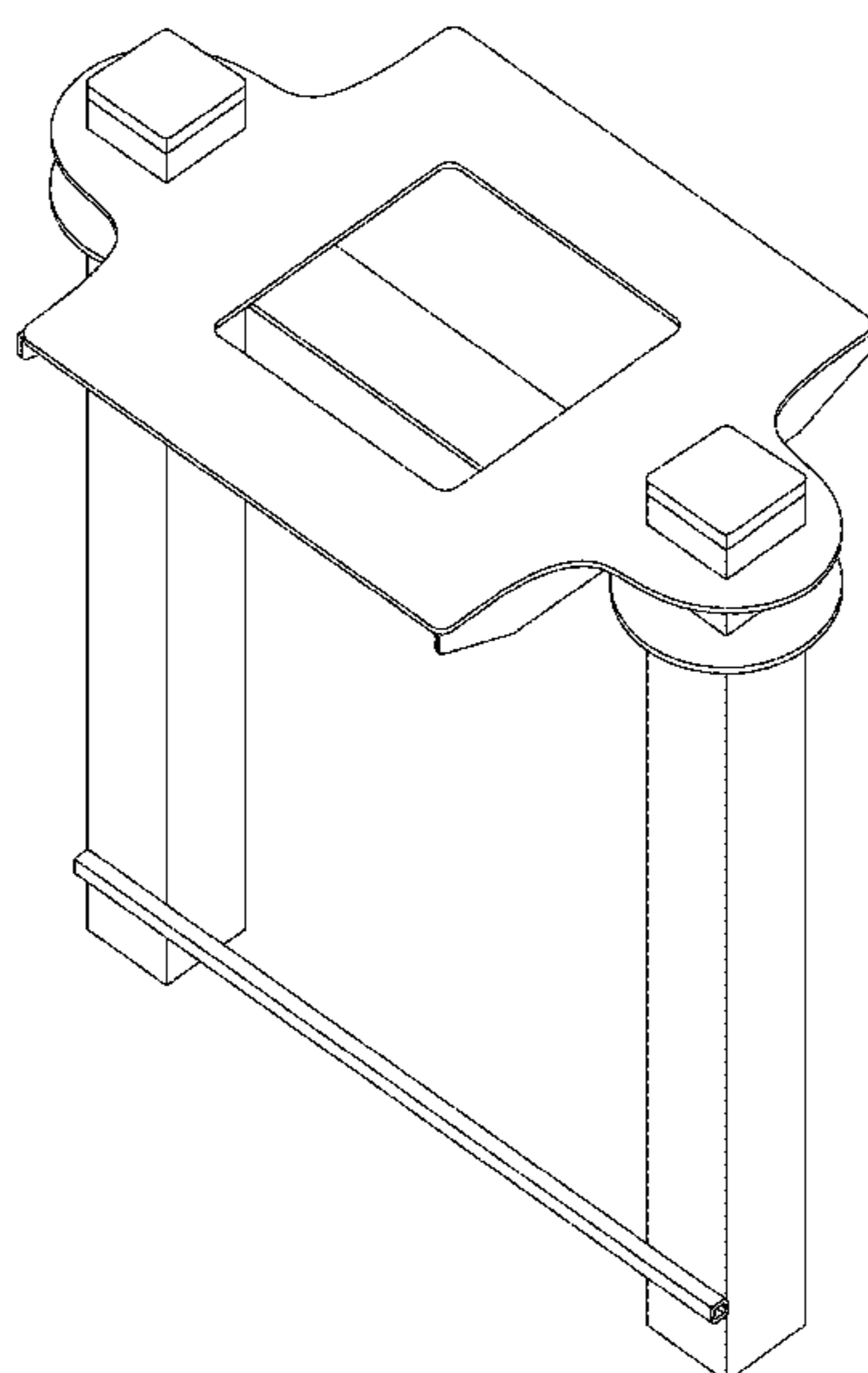
U.S. PATENT DOCUMENTS

4,416,085 A * 11/1983 Lybecker E01F 13/06 49/340
4,520,592 A * 6/1985 Holloway E05F 15/624 49/25
4,616,444 A * 10/1986 Taylor E05F 1/025 49/347
4,638,597 A * 1/1987 Lybecker E05F 15/53 49/340
4,754,572 A * 7/1988 Bilt E05F 15/632 49/358
4,791,757 A * 12/1988 Orlando E06B 11/045 49/360
4,811,516 A * 3/1989 Anderson E01F 13/06 49/141

DESCRIPTION

FIG. 1 is a front view of a gate opener stand showing my new design.
FIG. 2 is a back view of FIG. 1.
FIG. 3 is a right side elevation view of FIG. 1.
FIG. 4 is a left side elevation view of FIG. 1.
FIG. 5 is a top view of FIG. 1.
FIG. 6 is a bottom view of FIG. 1.
FIG. 7 is a front perspective view of FIG. 1; and,
FIG. 8 is an environmental perspective view of the gate opener stand.
The broken lines in FIG. 8 represent environment and form no part of the claim.

1 Claim, 6 Drawing Sheets



(56)

References Cited

U.S. PATENT DOCUMENTS

5,373,664 A * 12/1994 Butler E01F 13/06
49/25
5,680,729 A * 10/1997 Heffington E05F 15/53
49/362
5,752,344 A * 5/1998 Richmond E05F 15/63
49/339
6,256,928 B1 * 7/2001 Skeem E05F 15/622
49/340
D662,806 S * 7/2012 Shaw D8/380
D705,645 S * 5/2014 Bakos D8/380
2010/0064586 A1 * 3/2010 Marchetto H04L 12/40032
49/334
2014/0259939 A1 * 9/2014 Collinson E05D 15/264
49/340

OTHER PUBLICATIONS

ALEKO STANDAC1400 Metal Stand for AC1400 Sliding Gate
Opener <https://www.amazon.com/ALEKO-STANDAC1400-AC1400-Sliding-Opener/dp/B00LXOBINA> First Available Mar. 5, 2010
(Year: 2010).*

* cited by examiner

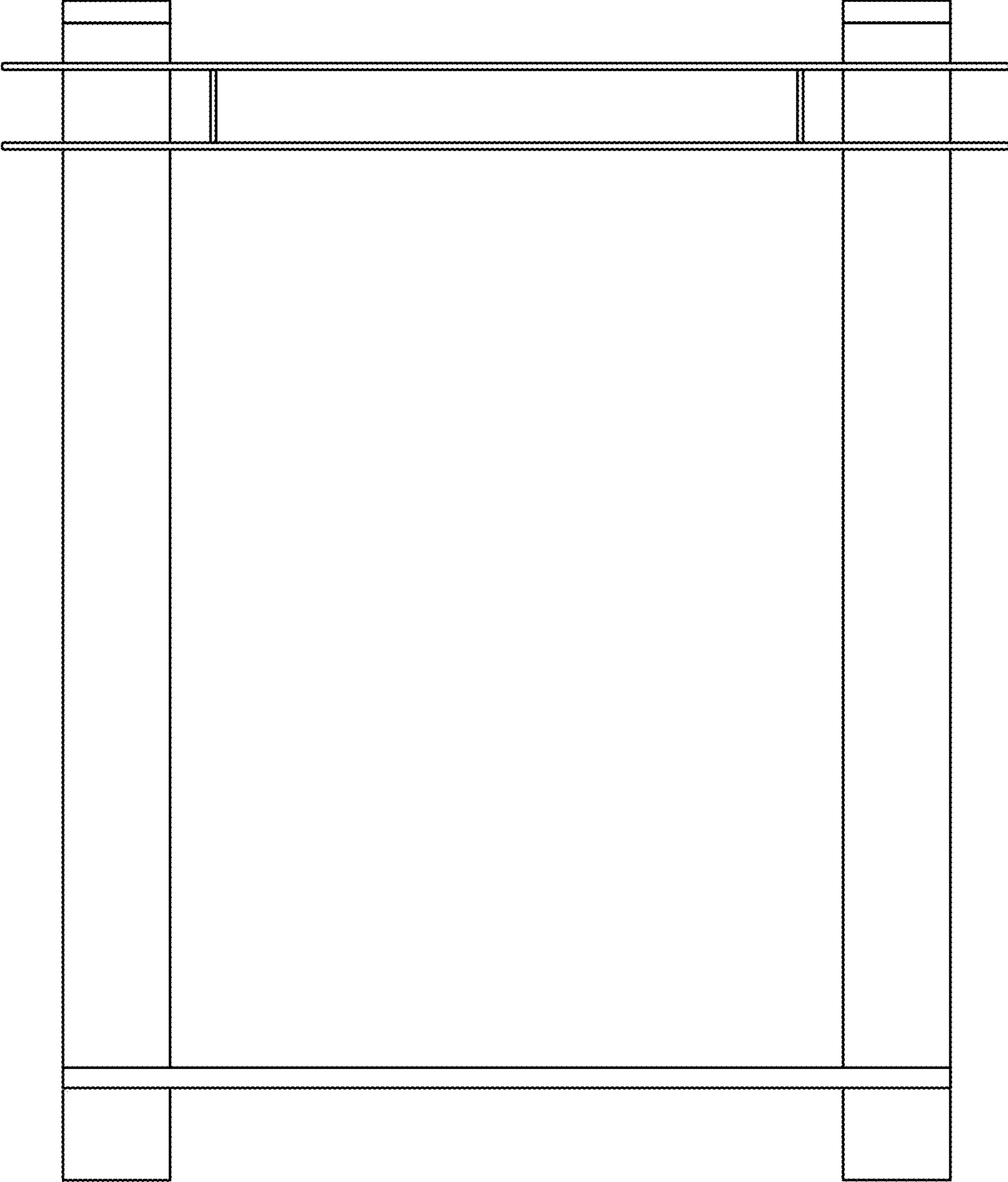


Fig. 1

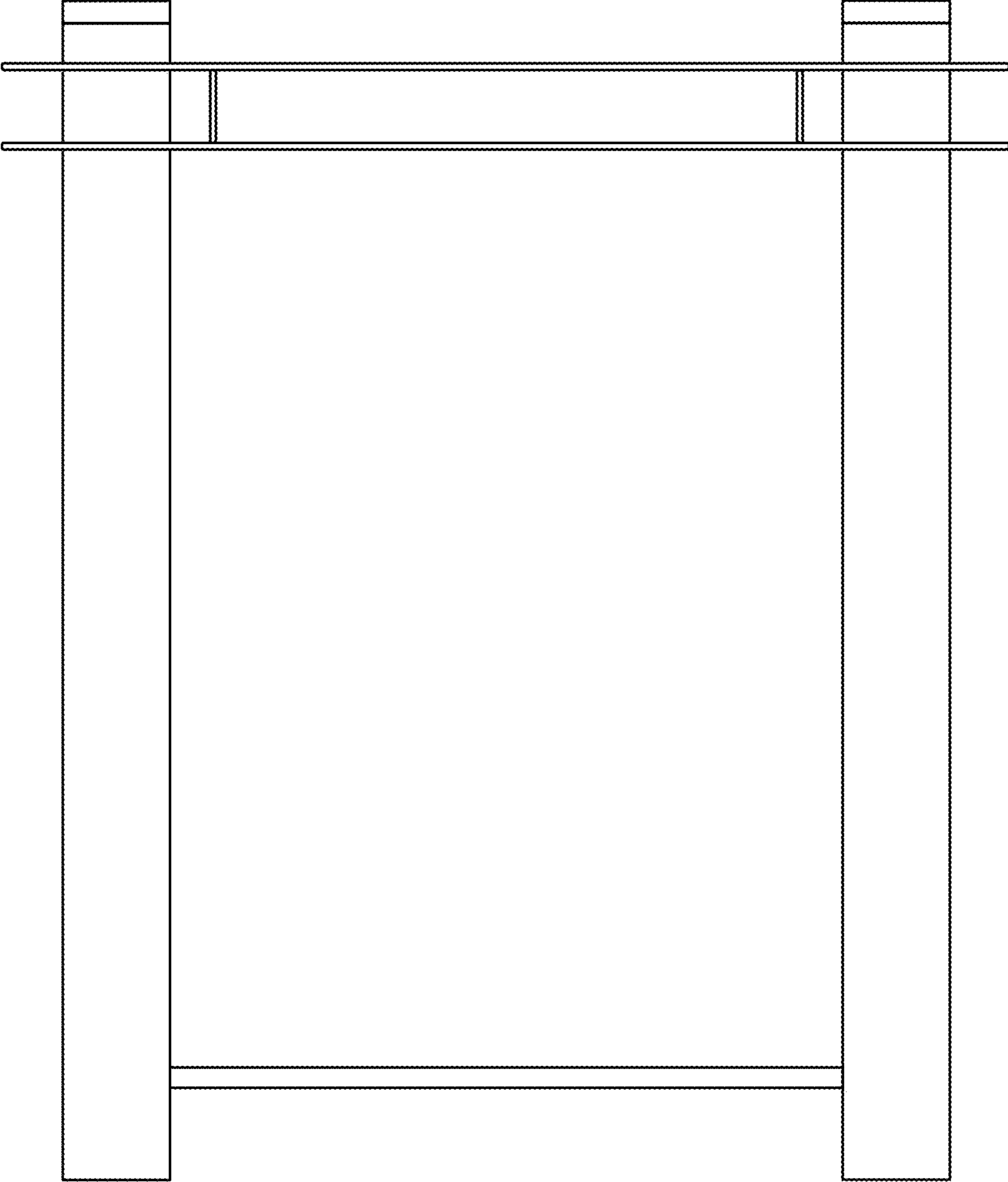


Fig. 2

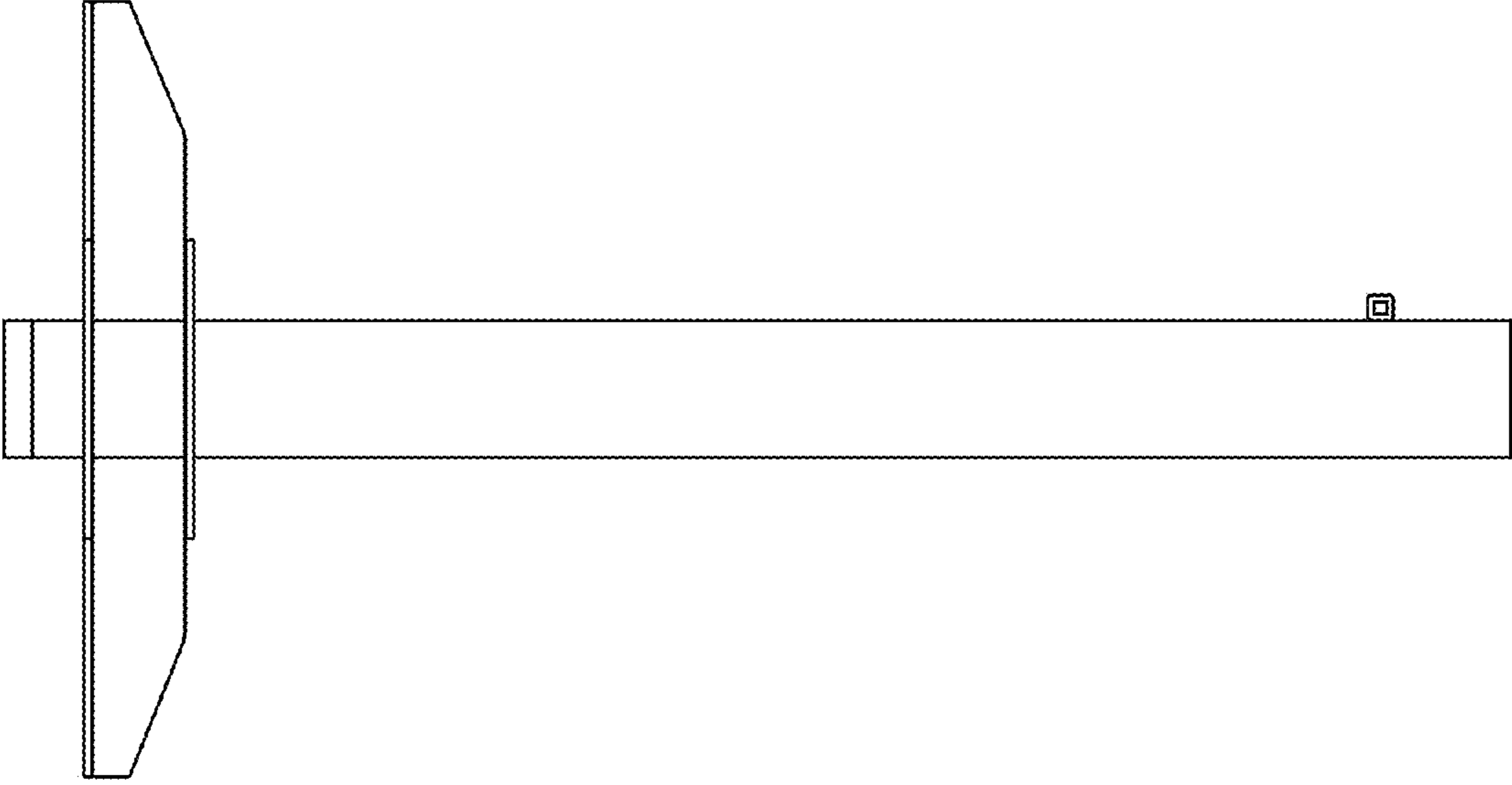


Fig. 4

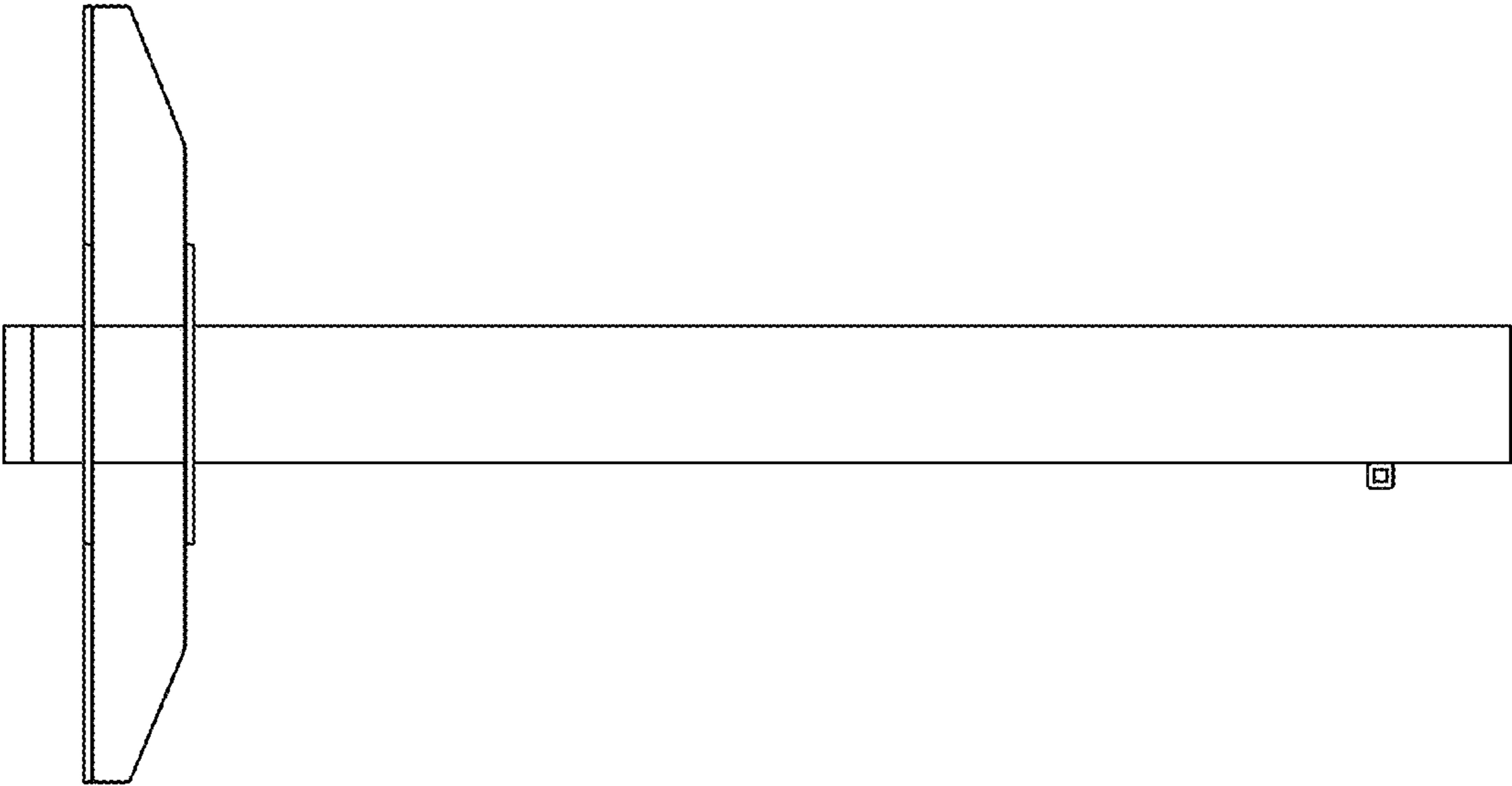


Fig. 3

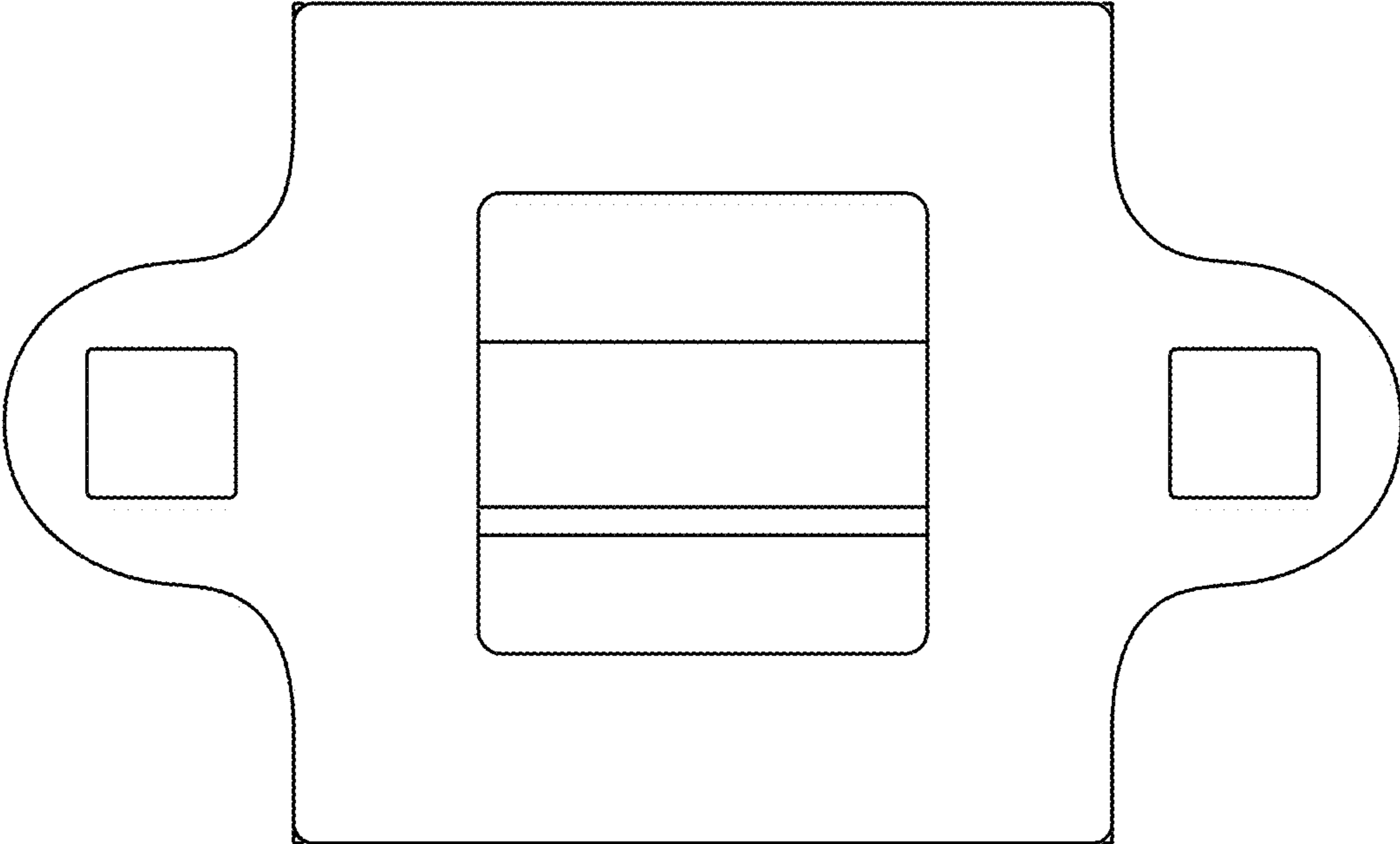


Fig. 5

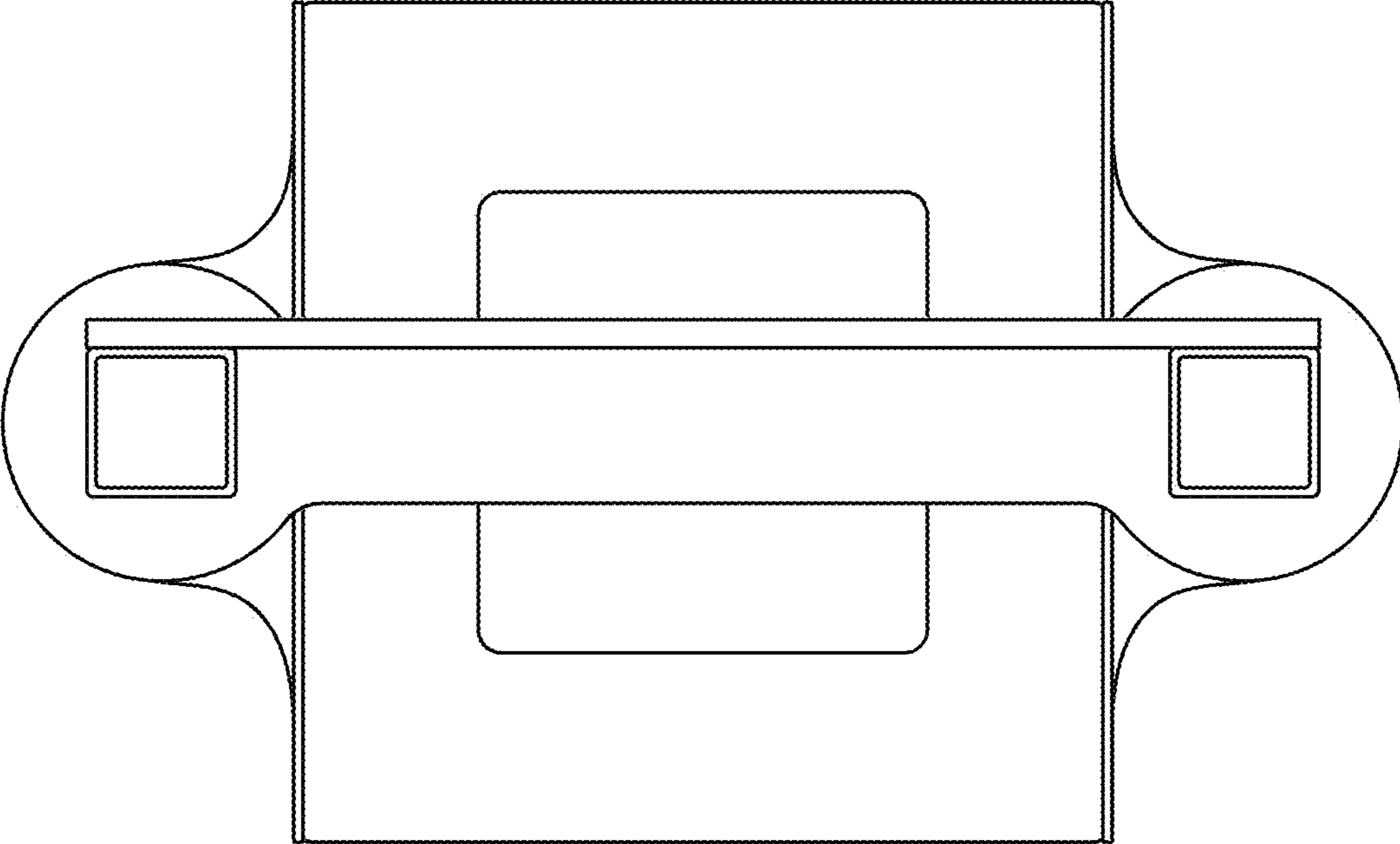


Fig. 6

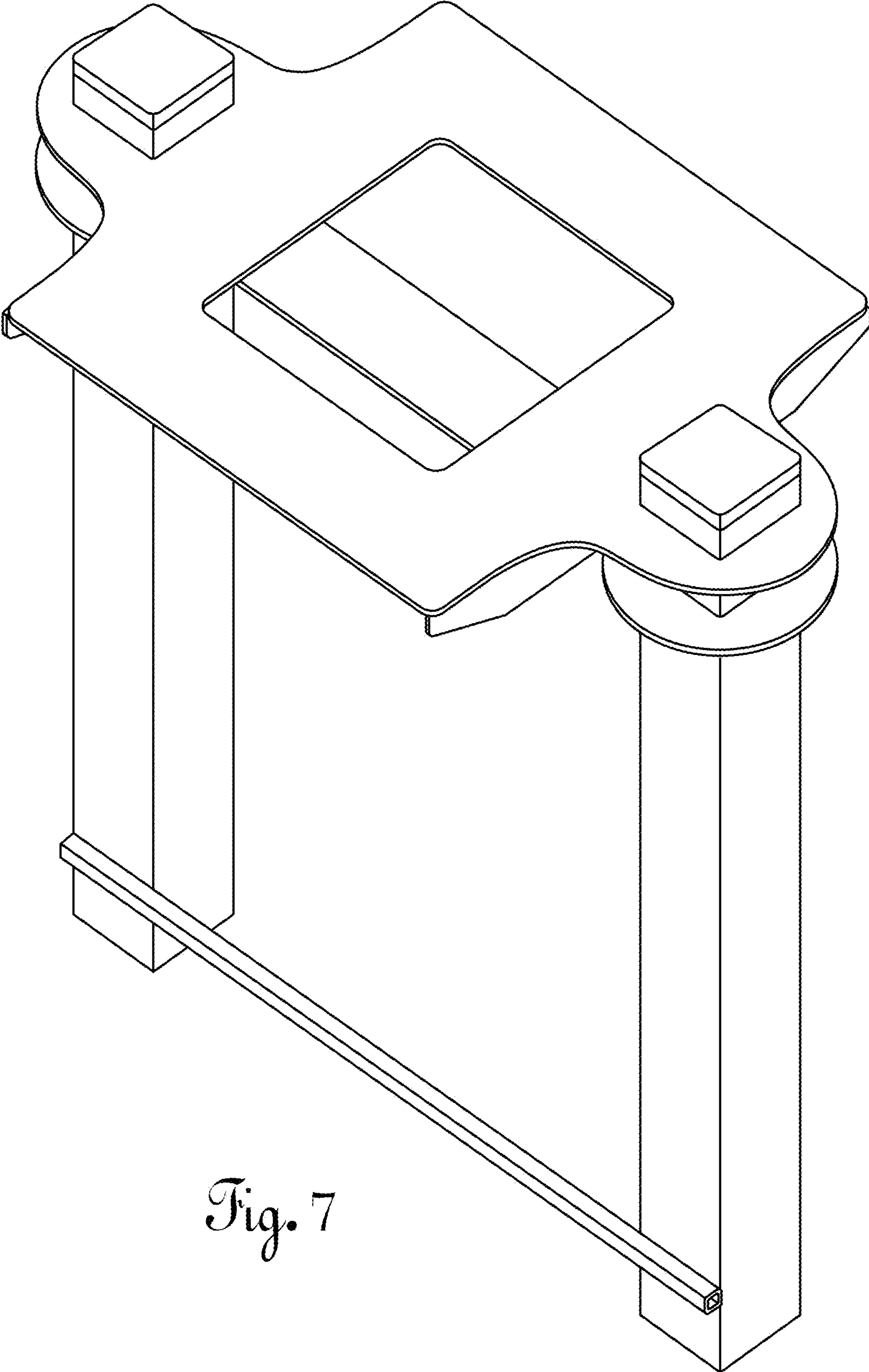


Fig. 7

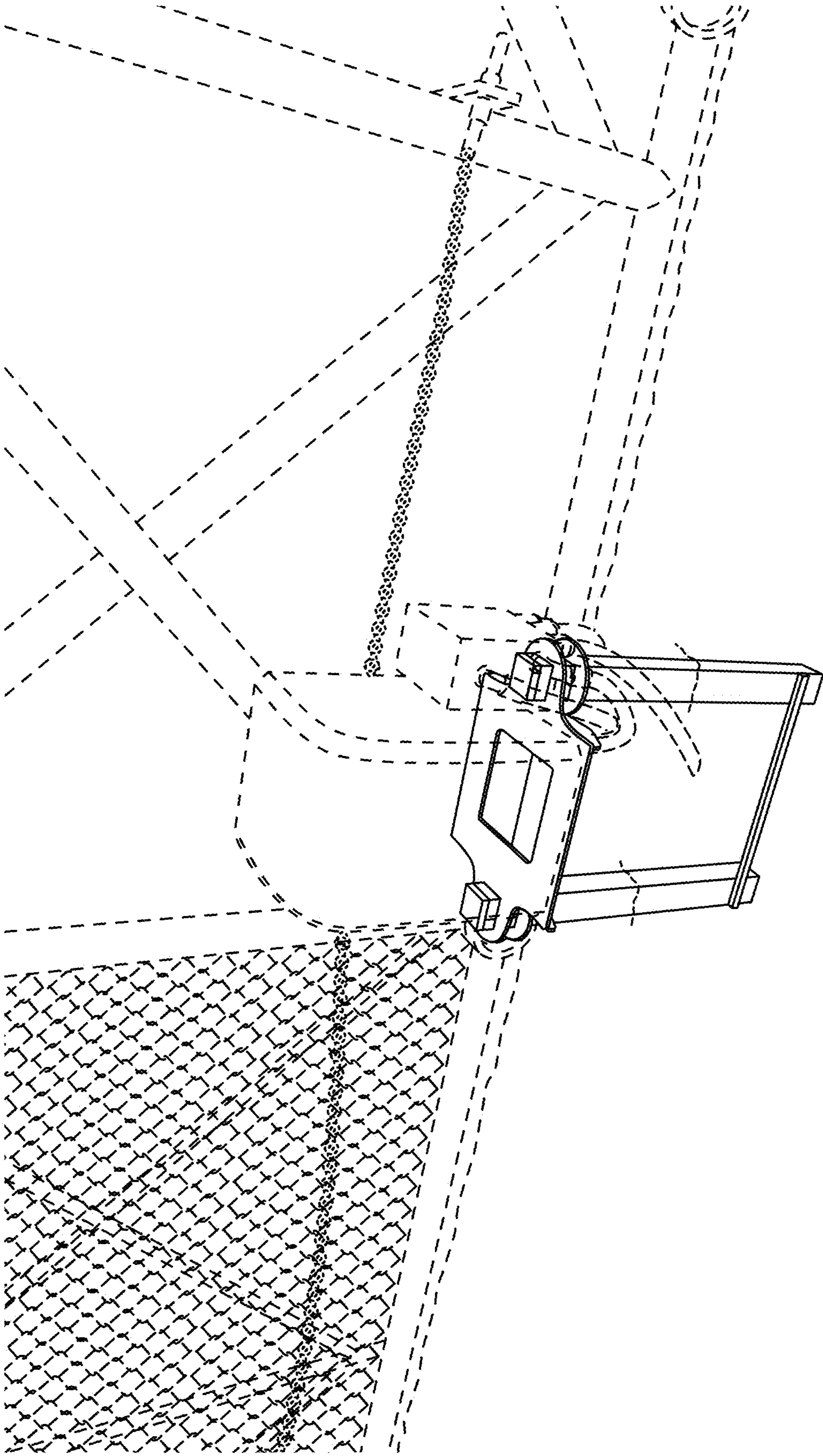


Fig. 8