



US00D950772S

(12) **United States Design Patent** (10) **Patent No.:** **US D950,772 S**
Phaneuf, Sr. et al. (45) **Date of Patent:** **** May 3, 2022**

(54) **EXTRUDED VINYL RUB RAIL**
(71) Applicant: **TACO METALS, LLC**, Miami, FL (US)
(72) Inventors: **David Phaneuf, Sr.**, Sparta, TN (US); **William Kushner**, Miami, FL (US)
(73) Assignee: **Taco Metals, LLC**, Miami, FL (US)
(**) Term: **15 Years**
(21) Appl. No.: **29/702,715**
(22) Filed: **Aug. 21, 2019**
(51) **LOC (13) Cl.** **25-02**
(52) **U.S. Cl.**
USPC **D25/38.1**
(58) **Field of Classification Search**
USPC D12/167, 168, 223, 406, 414; D25/38.1, D25/41.1, 42, 43, 44, 119-126, 132, 136, D25/164
CPC B60R 13/04; B32B 1/00; B32B 27/304; B32B 27/08; B32B 7/02; A47B 95/043; E02B 3/26
See application file for complete search history.

D335,353 S * 5/1993 Baker D25/38.1
D337,257 S * 7/1993 Danieli D25/122
5,242,734 A * 9/1993 Rubin E04F 19/026
293/128
5,283,096 A * 2/1994 Greenberg A47B 95/043
24/297
D353,467 S * 12/1994 Raynes D25/125
(Continued)

OTHER PUBLICATIONS

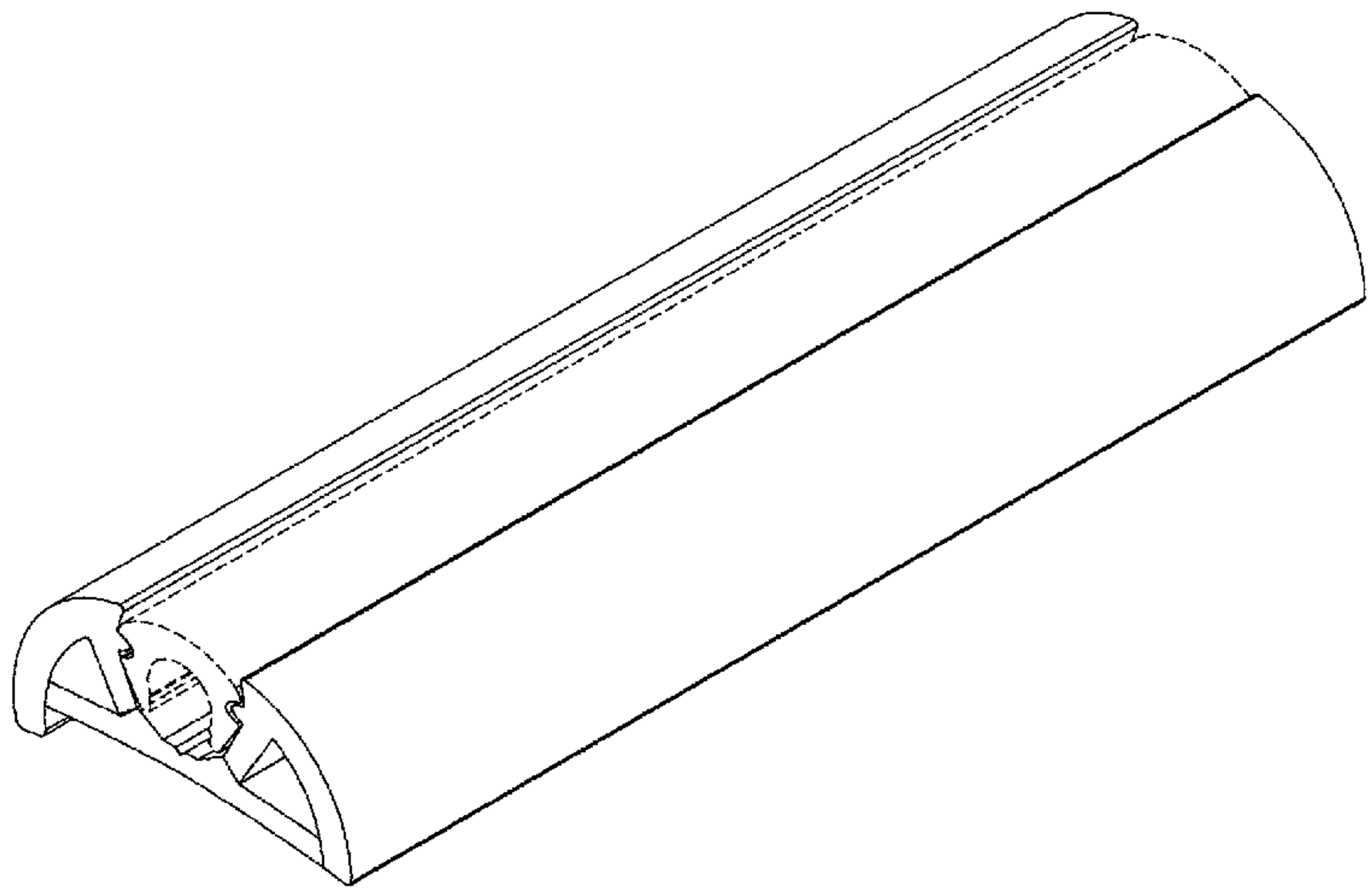
"1-1/4"x1" Flexible Rub Rail, 50 FEET." Amazon., Oct. 1, 2001 [online], [retrieved on Nov. 6, 2021], Retrieved from the Internet <URL: https://www.amazon.com/Taco-Flexible-Vinyl-Rub-Rail/dp/B000KOTRBY/ref=asc_df_B000KOTRBY/?tag=hyprod-20&linkCode=df0&hvadid=416665976560&hvpos=&hvnetw=g&hvrnd=15177652734719311162&hvpone=&hvptwo=&hvqmt=&hvdev=c&hvdvcmdl=&hvlocint=&hvlocphy=9008124&hvtargid=pla-876325263115&psc=1&tag=&ref=&adgrpid=90730210061&hvpone=&hvptwo=&hvadid=416665976560&hvpos=&hvnetw=g&hvrnd=15177652734719311162&hvqmt=&hvdev=c&hvdvcmdl=&hvlocint=&hvlocphy=9008124&hvtargid=pla-876325263115>.*
(Continued)

Primary Examiner — Darlington Ly
(74) *Attorney, Agent, or Firm* — Robert M. Schwartz

(56) **References Cited**
U.S. PATENT DOCUMENTS
3,606,432 A * 9/1971 Honatzis B60R 13/04
293/128
3,788,457 A * 1/1974 Valentino, Jr. B65G 21/2072
198/836.1
4,292,913 A * 10/1981 Siebert B63B 59/02
114/219
4,808,451 A * 2/1989 McCue E04F 19/026
24/292
4,946,727 A * 8/1990 Kessler B60R 13/04
428/99
4,948,637 A * 8/1990 Kessler B60R 13/04
293/128
4,970,980 A * 11/1990 Eisner B63B 59/02
114/219
5,013,596 A * 5/1991 Kessler E04F 19/028
428/100

(57) **CLAIM**
The ornamental design for an extruded vinyl rub rail, as shown and described.

DESCRIPTION
FIG. 1 is a top front perspective view of an extruded vinyl rub rail embodying our new design;
FIG. 2 is a front elevation view thereof;
FIG. 3 is rear elevation view thereof;
FIG. 4 is a right side elevation view thereof, from which the left side elevation view is a mirror image;
FIG. 5 is a bottom plan view thereof; and,
FIG. 6 is a top plan view thereof.
(Continued)



The broken lines shown in the drawings illustrate portions of the extruded vinyl rub rail that form no part of the claimed design.

1 Claim, 6 Drawing Sheets

(56)

References Cited

U.S. PATENT DOCUMENTS

D378,432 S * 3/1997 Raynes G09B 21/003
D25/164
5,649,688 A * 7/1997 Baker E04F 11/181
256/21
6,796,101 B2 * 9/2004 Chen E04F 11/1851
52/781
6,863,009 B1 * 3/2005 Driver B63B 59/02
114/219
D509,906 S * 9/2005 Enersen D25/38.1
7,163,244 B2 * 1/2007 Meltzer B60R 19/44
293/128
D558,569 S * 1/2008 Hanley A47K 3/34
D8/400
7,430,978 B2 * 10/2008 Rezzonico B63B 59/02
114/219
D613,420 S * 4/2010 Matheisl D25/38.1
8,567,333 B2 * 10/2013 Berman B63B 59/02
114/219
8,839,731 B2 * 9/2014 Rezzonico B63B 59/02
114/219
D720,477 S * 12/2014 Ross D25/121
8,939,419 B2 * 1/2015 Wallace B32B 7/02
248/345.1
9,694,883 B1 * 7/2017 Bonventre B63B 59/02

9,752,291 B2 * 9/2017 Michael E01F 15/141
D806,267 S * 12/2017 Madden D25/41.1
D830,153 S * 10/2018 Sadofsky D8/354
10,543,889 B2 * 1/2020 Rezzonico B63B 59/02
D877,934 S * 3/2020 Devitt D25/41.1
D902,318 S * 11/2020 Anderson D21/317
2002/0178684 A1 * 12/2002 Barnett A47B 95/043
52/716.1
2004/0200397 A1 * 10/2004 Klein B63B 59/02
114/219
2010/0077953 A1 * 4/2010 Simard B63B 34/10
114/219
2011/0017969 A1 * 1/2011 Reich E04F 11/1836
256/65.16
2016/0355243 A1 * 12/2016 Hynes B63B 59/02

OTHER PUBLICATIONS

“TACO Metals Taco Semi-Rigid Rub Rail Kit—Black w/Black Insert—50039; V11-9795BBK50D-2.” Amazon., Oct. 25, 2013 [online], [retrieved on Nov. 6, 2021], Retrieved from the Internet <URL: https://www.amazon.com/Taco-Metals-Semi-Rigid-Rail-V11-9795BBK50D-2/dp/B00G6MX7CE/ref=dp_fod_2?pd_rd_i=B00G6MX7CE&pvc=1>.*
“Taylor Made Products 46013 Comm DockSide Guard Coil Retail Pack, 10-Feet, White.” Amazon., Feb. 28, 2010 [online], [retrieved on Nov. 6, 2021], Retrieved from the Internet <URL: https://www.amazon.com/Taylor-Made-Products-46013-10-Feet/dp/B002IVANAQ/ref=pd_day0_28/131-9197900-0459638?pd_rd_w=JogbW&pf_rd_p=8ca997d7-1ea0-4c8f-9e14-a6d756b83e30&pf_rd_r=18REQSWA115W2SEEVYHZ&pd_rd_r=28865087-f61f-4770-a2cd-750f3f0bfe2a&pd_rd_wg=AcGgj&pd_rd_i=B002IVANAQ&pvc=1>.*

* cited by examiner

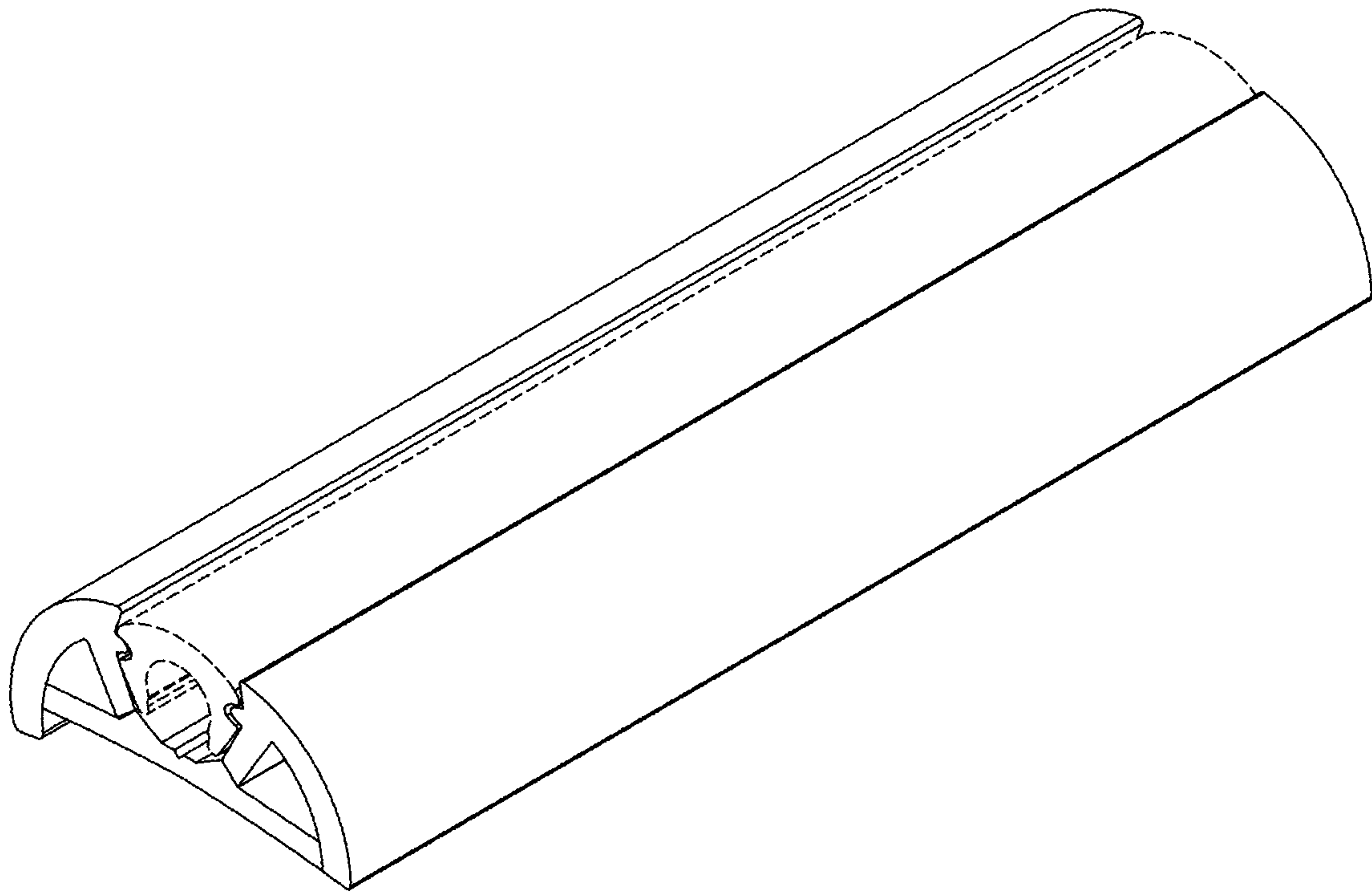


FIG. 1

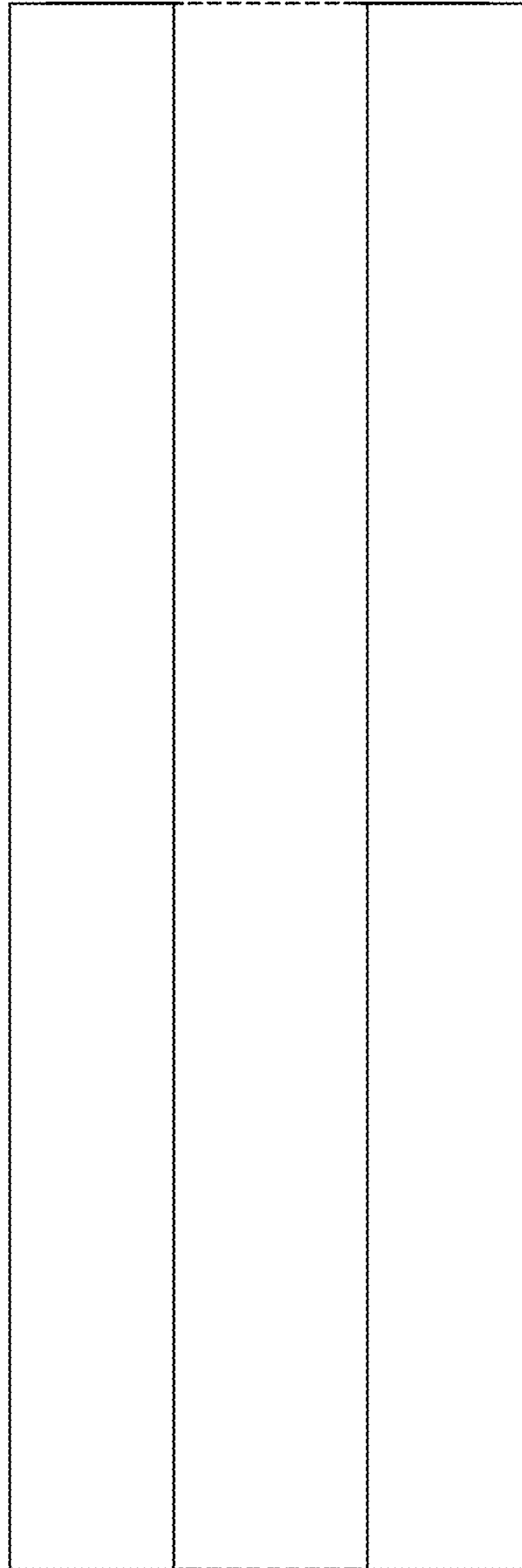


FIG. 2

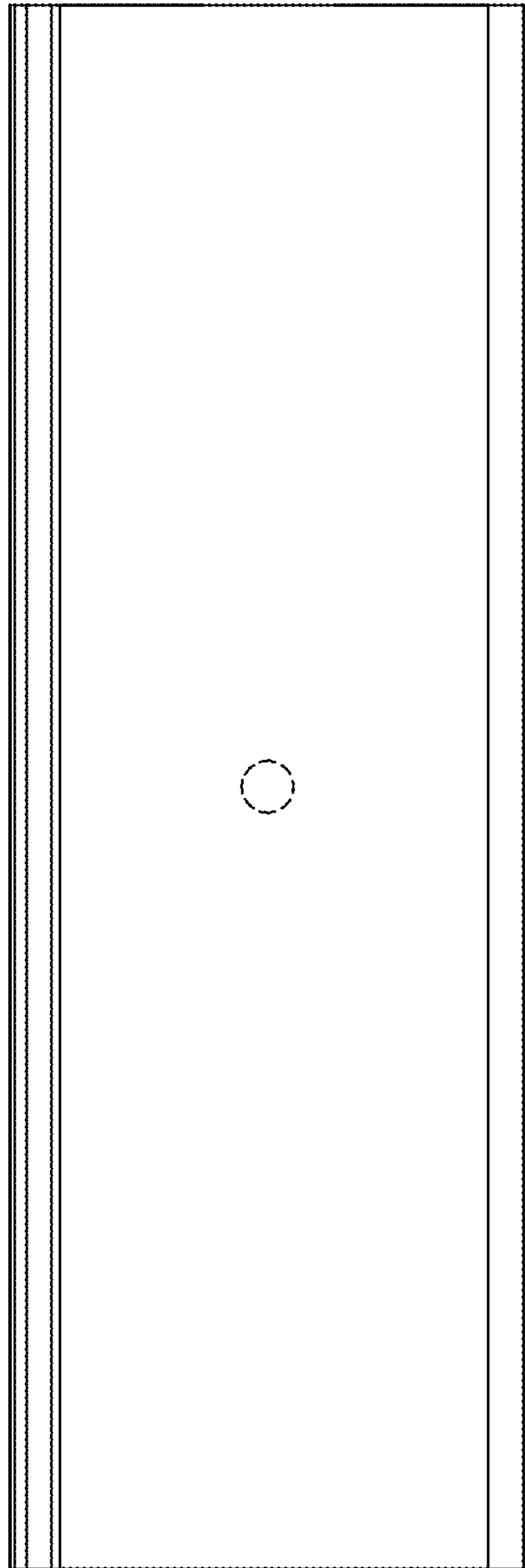


FIG. 3

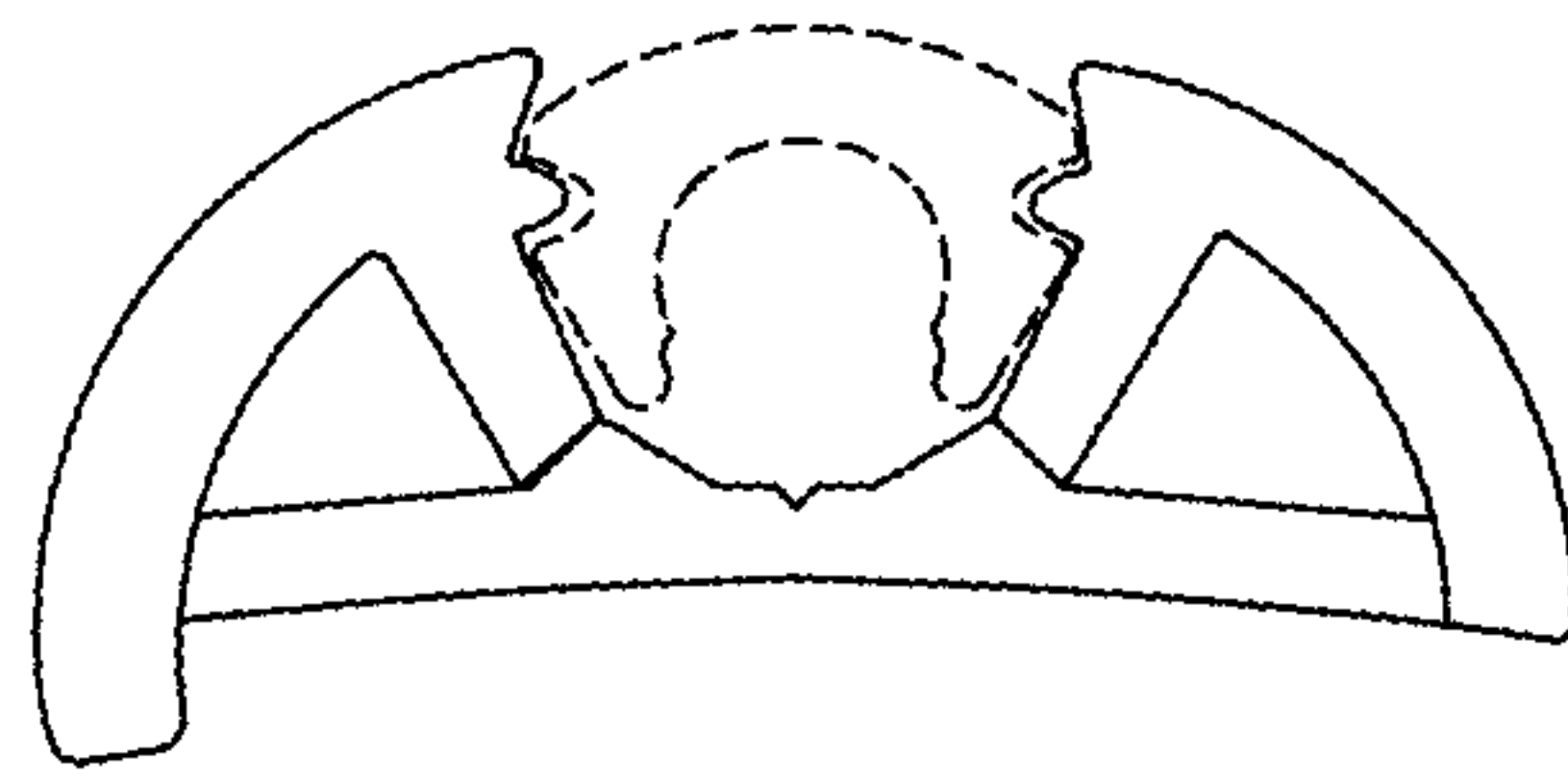


FIG. 4

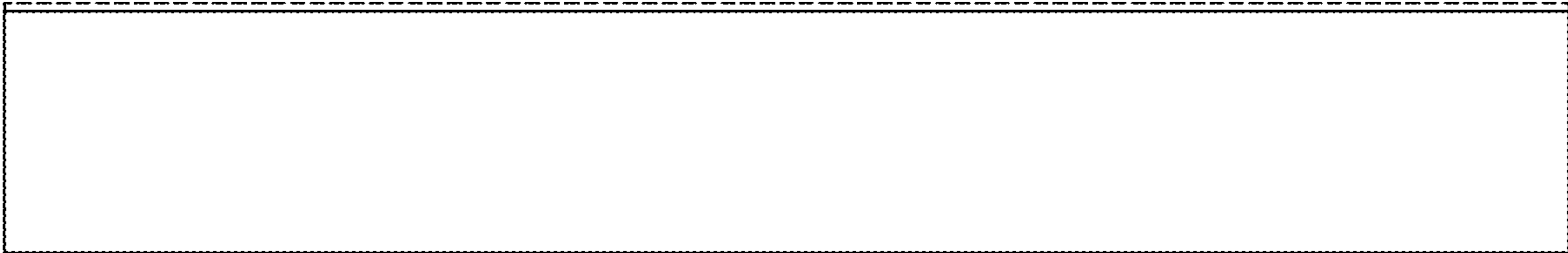


FIG. 5

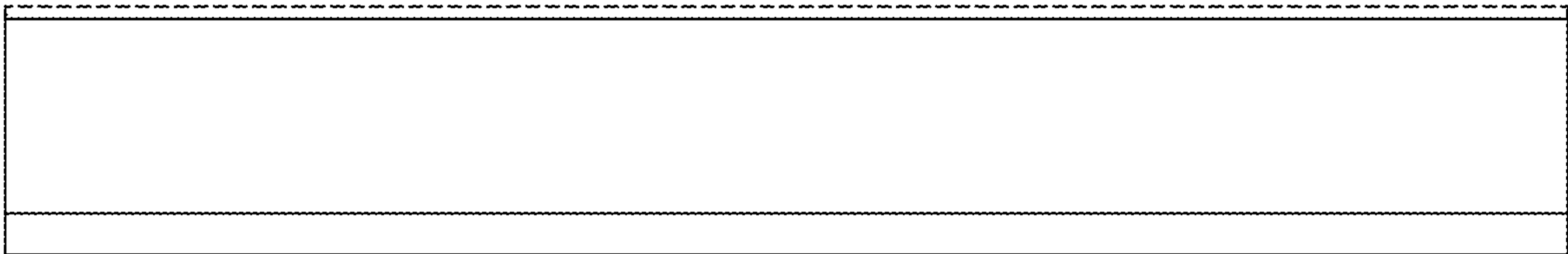


FIG. 6