

US00D950770S

(12) **United States Design Patent** (10) **Patent No.:** **US D950,770 S**
Motadel et al. (45) **Date of Patent:** **** *May 3, 2022**

(54) **PIPETTE TIP RACK ASSEMBLY**
(71) Applicant: **BIOTIX, INC.**, San Diego, CA (US)
(72) Inventors: **Arta Motadel**, San Diego, CA (US);
Peter Paul Blaszcak, San Diego, CA (US); **Juan Martin Mendez Padilla**,
Tijuana (MX)
(73) Assignee: **BIOTIX, INC.**, San Diego, CA (US)

D699,859 S 2/2014 Motadel
D724,236 S 3/2015 Motadel et al.
9,108,200 B2 * 8/2015 Belz B01L 3/50853
(Continued)

FOREIGN PATENT DOCUMENTS

JP D2010-22389 * 9/2010

OTHER PUBLICATIONS

Racks For Tips For Pipette With Filter Element 5ml. Online,
published date unknown. Retrieved on Sep. 8, 2020 from URL:
https://www.toolots.com/80208085.html?cid=10196878749&gclid=EAlalQobChMlnqDBxZna6wIVGUWGCh0JRQxkEAQYDCABEglM6_D_BwE.*

(Continued)

Primary Examiner — Omeed Agilee
(74) *Attorney, Agent, or Firm* — Grant IP, Inc.

(*) Notice: This patent is subject to a terminal disclaimer.
(**) Term: **15 Years**
(21) Appl. No.: **29/733,397**
(22) Filed: **May 1, 2020**

Related U.S. Application Data

(63) Continuation of application No. 29/634,348, filed on
Jan. 19, 2018, now Pat. No. Des. 886,321.
(51) **LOC (13) Cl.** **24-02**
(52) **U.S. Cl.**
USPC **D24/229**; D24/227; D24/222
(58) **Field of Classification Search**
USPC D24/108, 127-130, 216, 222, 224-232;
D9/756-758; D6/406.1-406.3, 406.6;
D19/37; D3/203.1, 304
CPC B01L 9/543; G01N 35/0099
See application file for complete search history.

(57) **CLAIM**

The ornamental design for a pipette tip rack assembly, as
shown and described.

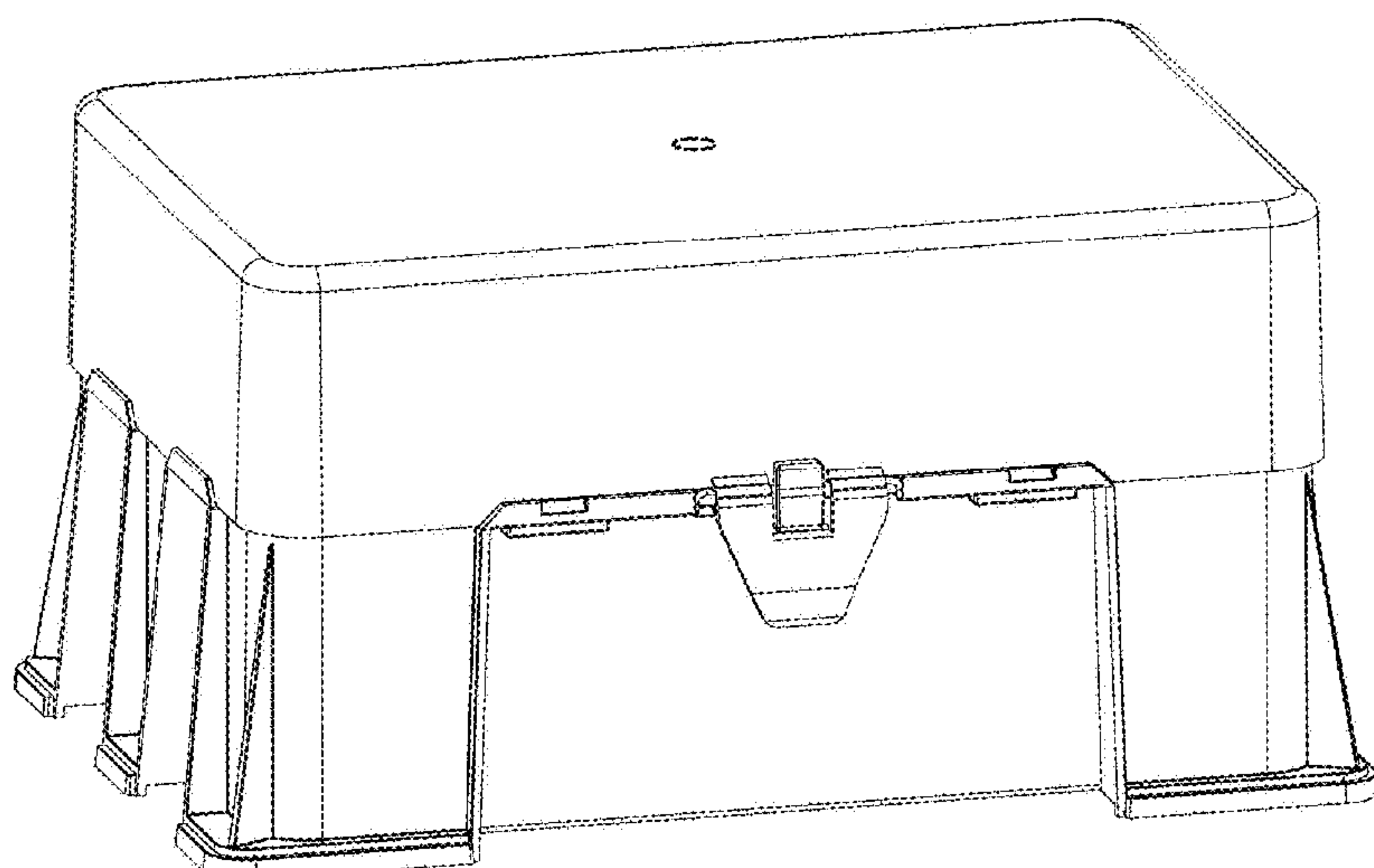
DESCRIPTION

FIG. 1 is a top perspective view of a pipette tip rack
assembly;
FIG. 2 is a front view thereof;
FIG. 3 is a back view thereof;
FIG. 4 is a side view thereof;
FIG. 5 is a side view thereof;
FIG. 6 is a top view thereof;
FIG. 7 is a bottom view thereof;
FIG. 8 is a bottom perspective view thereof;
FIG. 9 is an enlarged view of area 9 circled in FIG. 7;
FIG. 10 is an enlarged view of area 10 circled in FIG. 7;
FIG. 11 is an enlarged view of area 11 circled in FIG. 7; and,
FIG. 12 is an enlarged view of area 12 circled in FIG. 7.
The broken lines depict portions of the pipette tip rack
assembly that form no part of the claimed design.

1 Claim, 12 Drawing Sheets

(56) **References Cited**
U.S. PATENT DOCUMENTS

5,456,360 A * 10/1995 Griffin B01L 9/06
206/443
D464,734 S 10/2002 Berna et al.
D574,505 S 8/2008 Muller-cohn et al.
D631,557 S 1/2011 Tajima et al.
D632,803 S 2/2011 Motadel et al.
8,312,781 B2 11/2012 Himmelsbach et al.
D699,370 S 2/2014 Motadel et al.



(56)

References Cited

U.S. PATENT DOCUMENTS

9,238,227 B2 1/2016 Motadel
 D768,873 S 10/2016 Stedman et al.
 D808,540 S 1/2018 Johns et al.
 D812,243 S 3/2018 Johns et al.
 D826,426 S 8/2018 Muller et al.
 D839,445 S * 1/2019 Motadel D24/222
 D840,053 S 2/2019 Kamees et al.
 D873,436 S * 1/2020 O'Connell D24/229
 D886,321 S 6/2020 Motadel et al.
 2005/0150808 A1 * 7/2005 Sarna B01L 9/543
 2006/0045815 A1 * 3/2006 Hovatter B01L 9/543
 2010/0089938 A1 * 4/2010 Motadel B01L 9/543
 2010/0221151 A1 * 9/2010 Motadel B01L 9/543
 2011/0236278 A1 * 9/2011 Motadel B01L 9/543
 2011/0306051 A1 12/2011 Belz et al.
 2011/0306053 A1 12/2011 Ochsenbein et al.
 2011/0306118 A1 12/2011 Belz et al.
 2014/0234182 A1 8/2014 Motadel et al.
 2014/0308181 A1 10/2014 Blumentritt et al.
 2016/0001292 A1 1/2016 Motadel et al.

2016/0101422 A1 4/2016 Bucher et al.
 2017/0008001 A1 1/2017 Motadel et al.
 2019/0009277 A1 1/2019 Kofler

OTHER PUBLICATIONS

Filtered Pipet Tips 1-100 ul Sterilized Microfilter Tip. Online, published date unknown. Retrieved on Sep. 8, 2020 from URL: <https://crystalgen.com/filtered-pipet-tips-1-100-ul-sterilized-microfilter-tip.html>.*

2-200ul MicroPette Universal Sterile Filtered Tips. Online, Available on <URL: https://www.labproservices.com/2-200ul-micropette-universal-sterile-filtered-tips-clear-color-rack-10-x-96-960.html?gelid=EAiaiQobChMiyLSOveGR4QIVATOMChOA2gstEAQYCCABEgi81PD_BwE>, Mar. 20, 2019, 1 page.

Office Action dated Apr. 5, 2019 in U.S. Appl. No. 29/634,348, filed Jan. 19, 2018, 15 pages.

Office Action dated Feb. 5, 2020 in U.S. Appl. No. 29/634,348, filed Jan. 19, 2018, 5 pages.

Office Action dated Sep. 19, 2019 in U.S. Appl. No. 29/634,348, filed Jan. 19, 2018, 5 pages.

Pipette Tips. Online, Available Online at <URL: <http://neptunescientific.com/products/pipette-tips/>>, Mar. 20, 2019, 1 page.

* cited by examiner

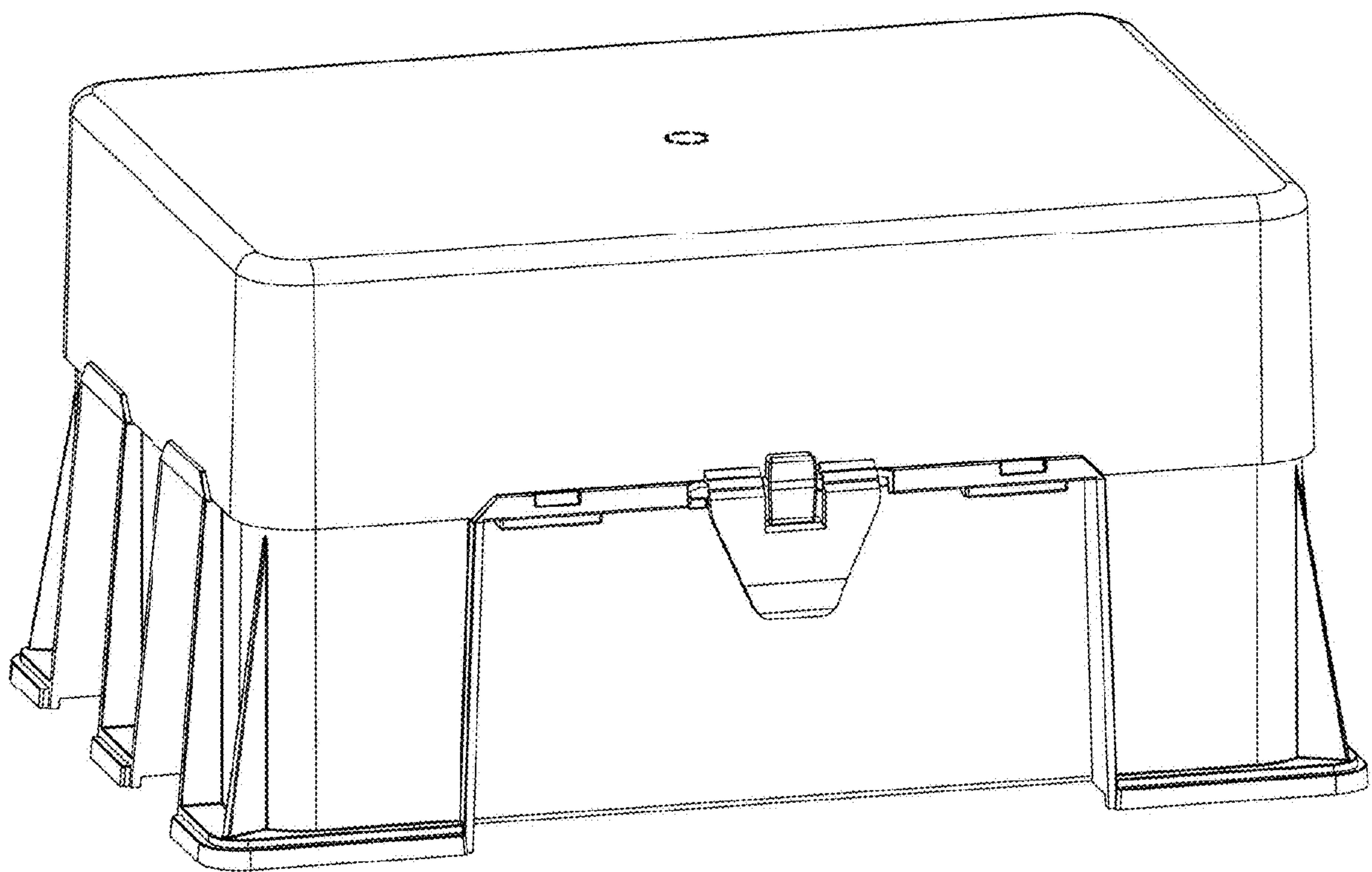


FIG. 1

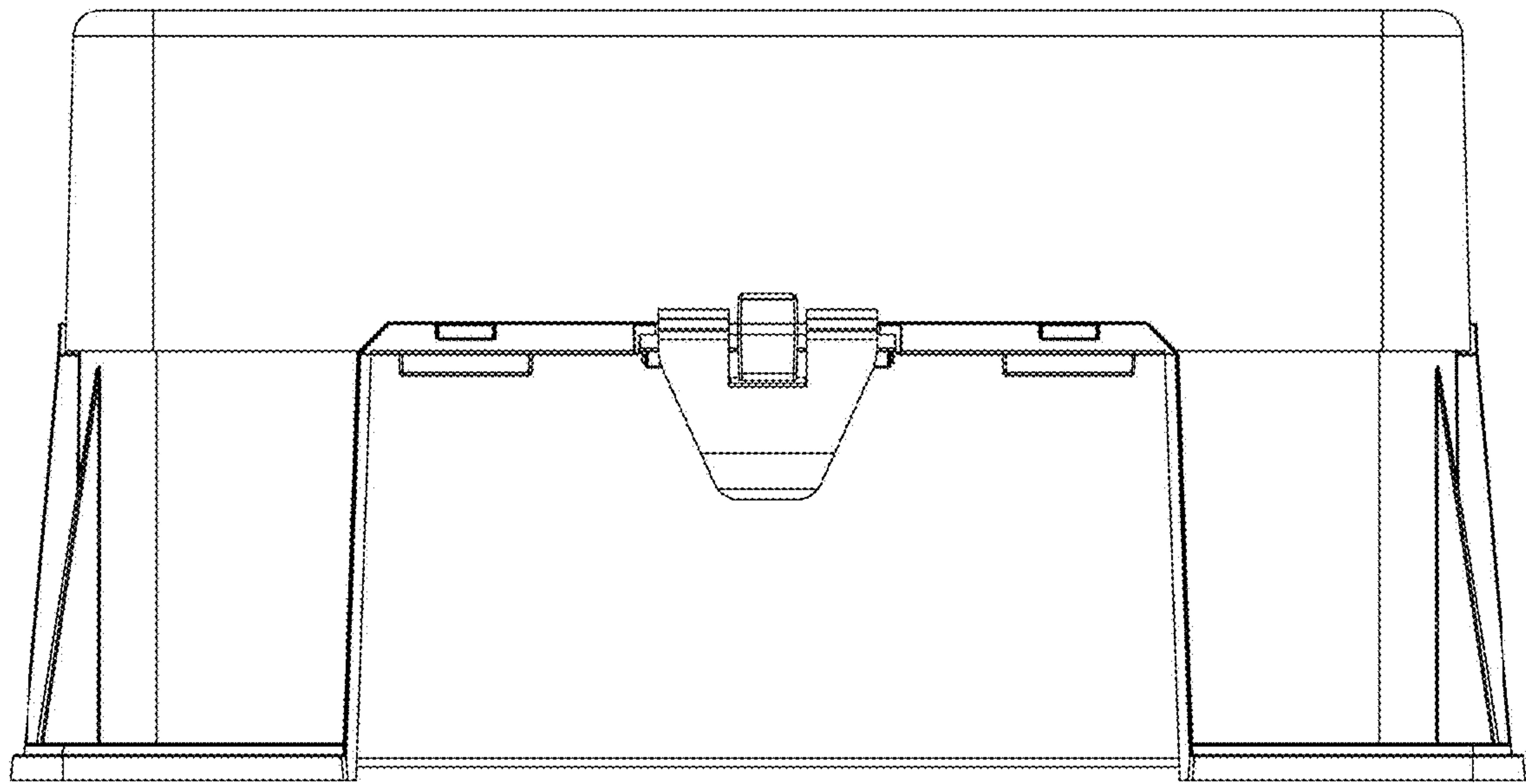


FIG. 2

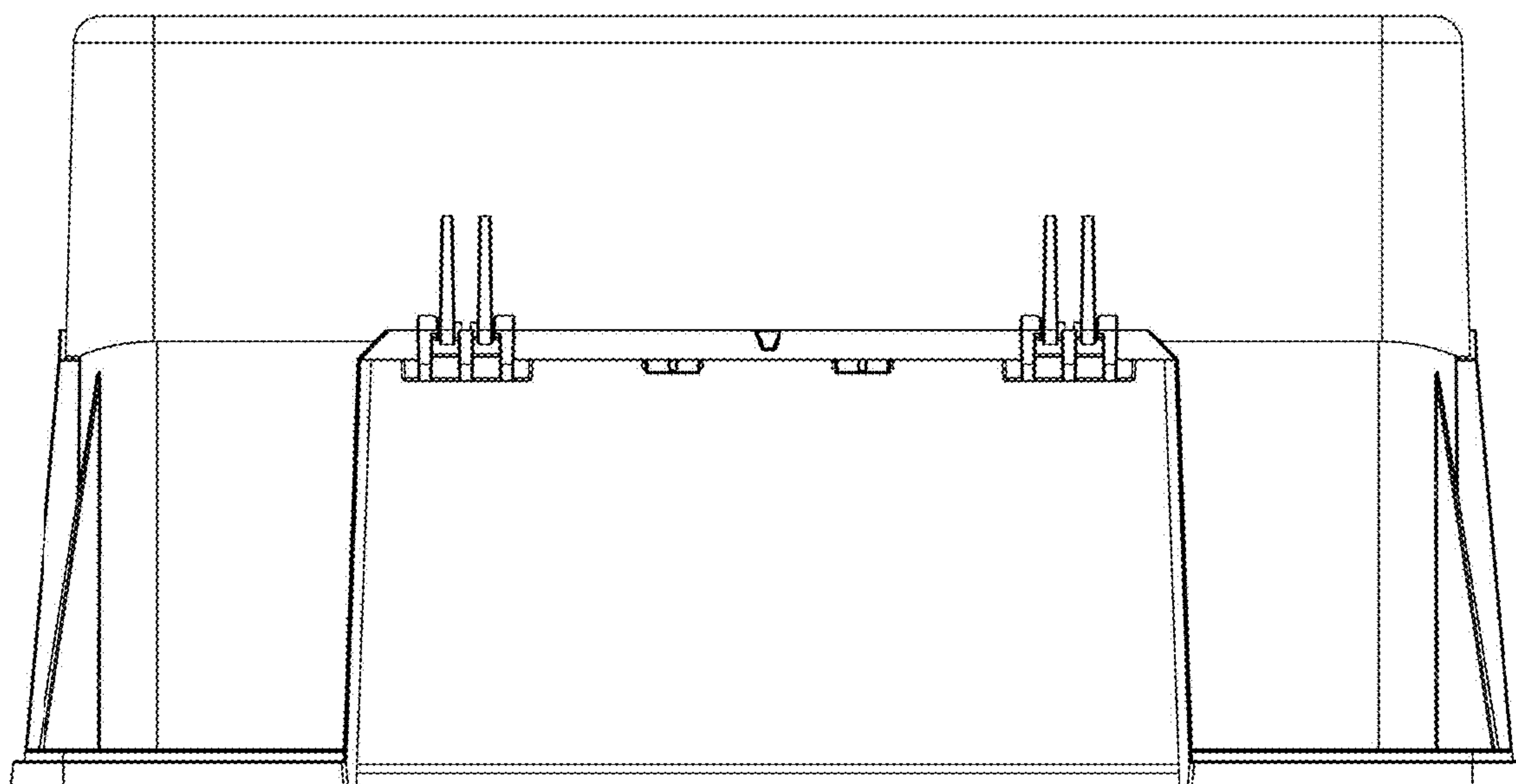


FIG. 3

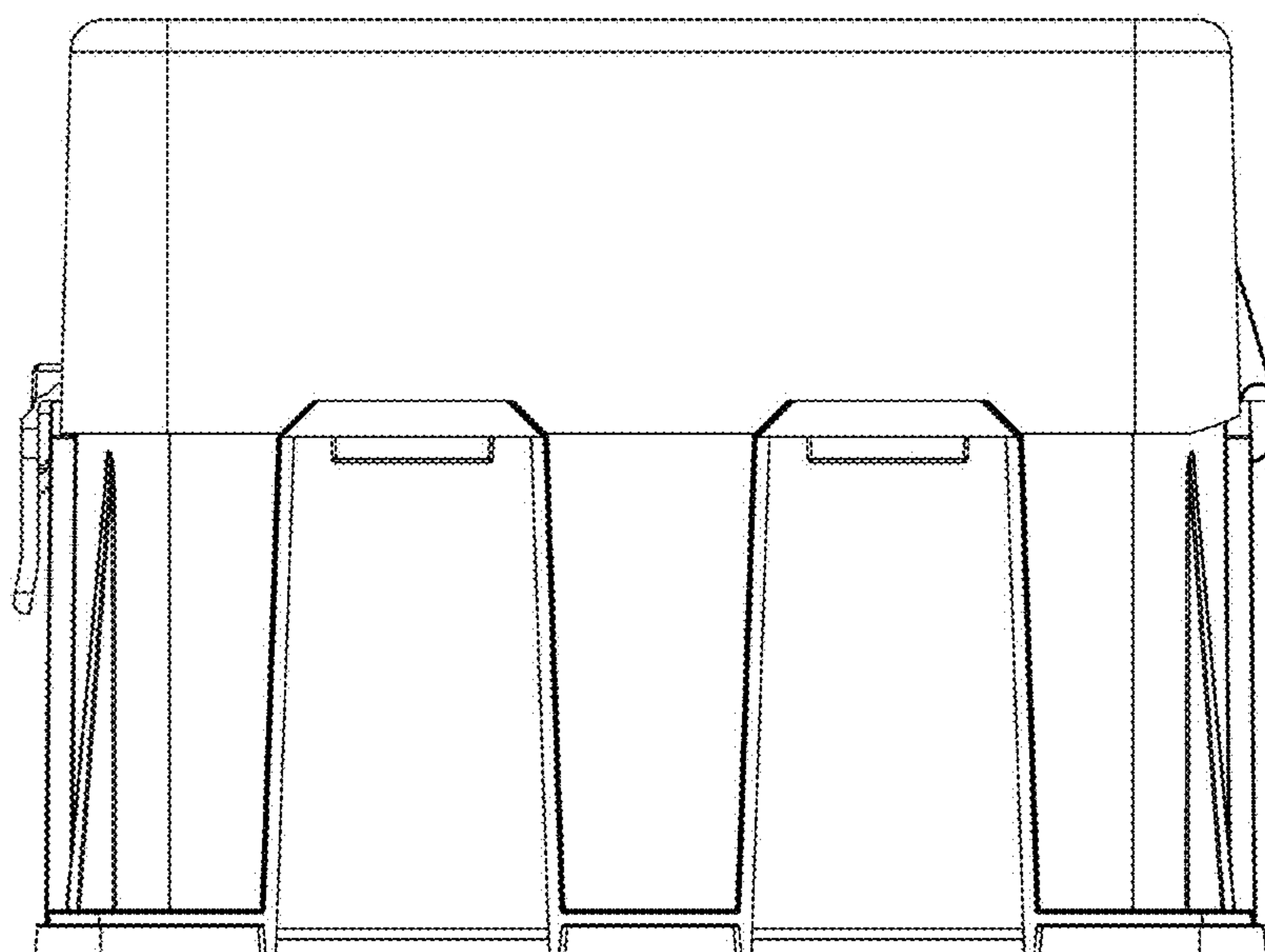


FIG. 4

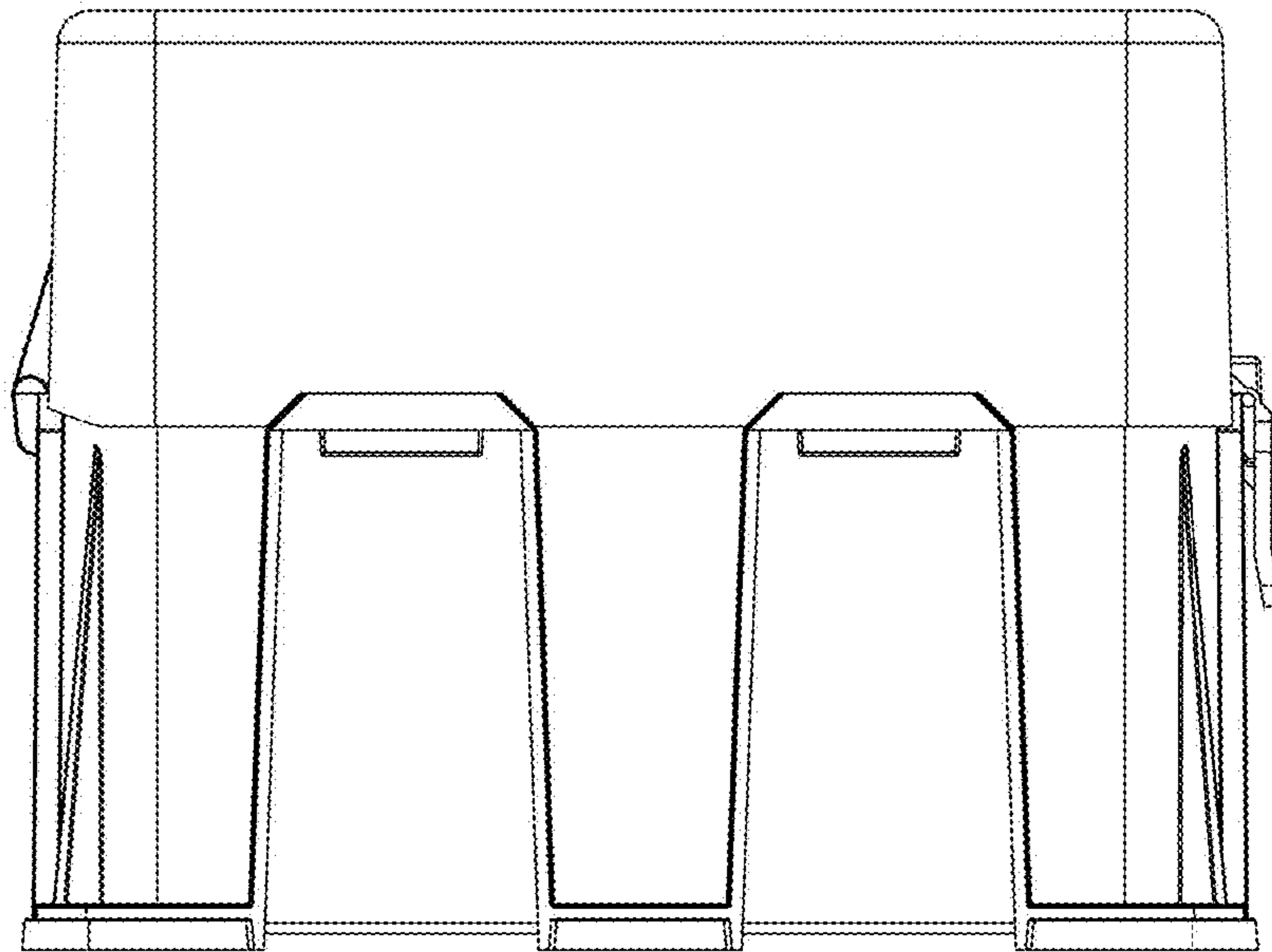


FIG. 5

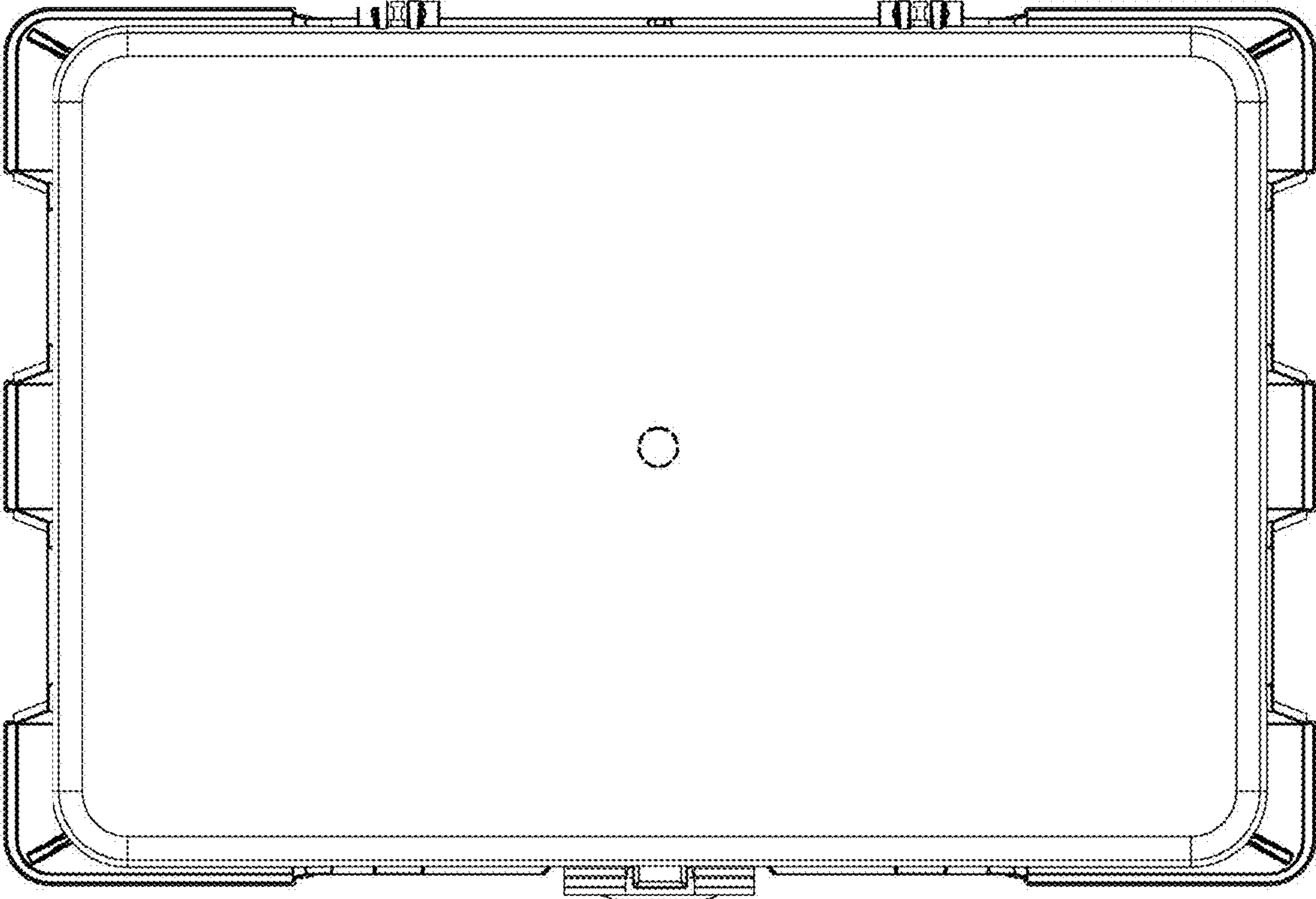


FIG. 6

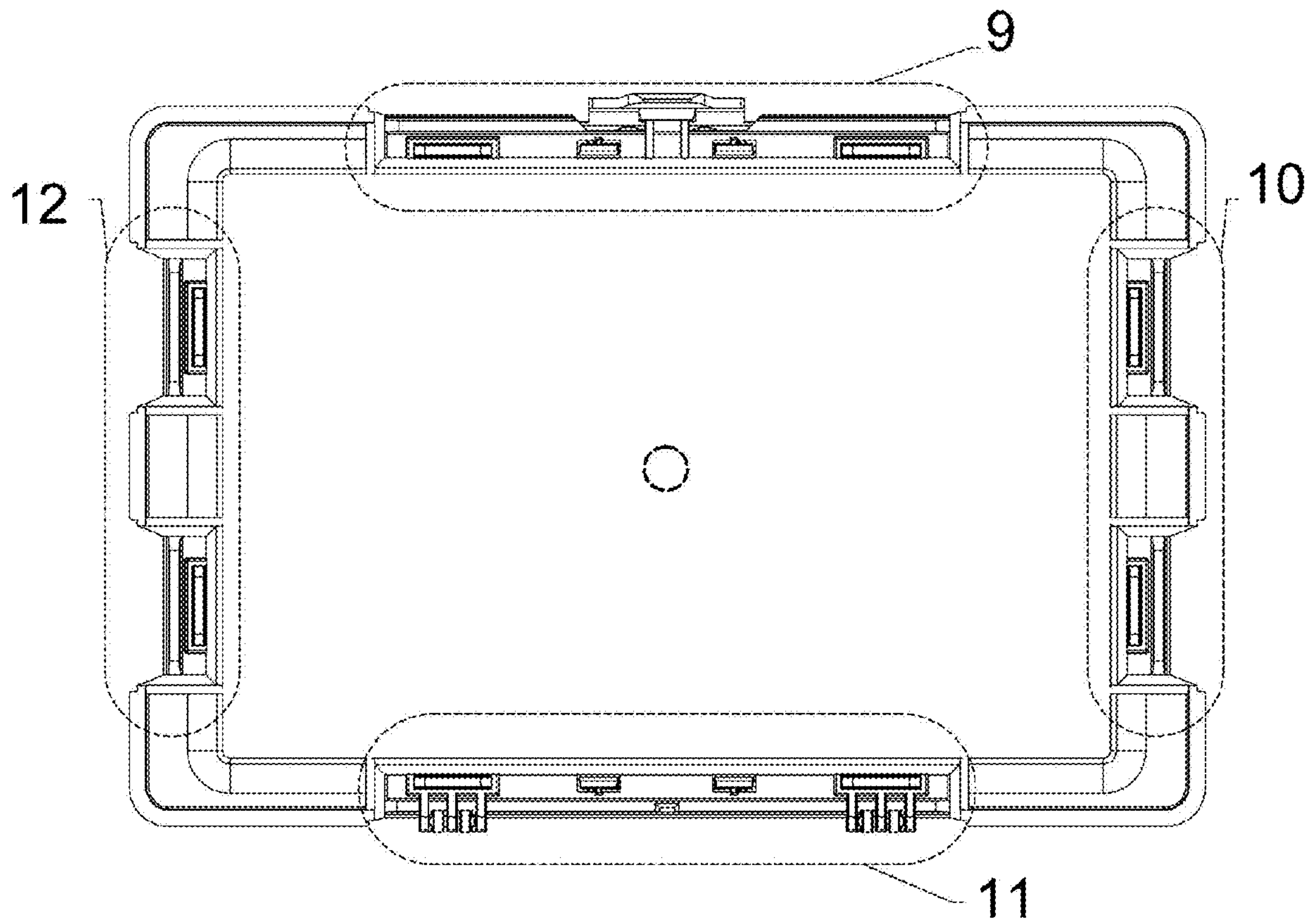


FIG. 7

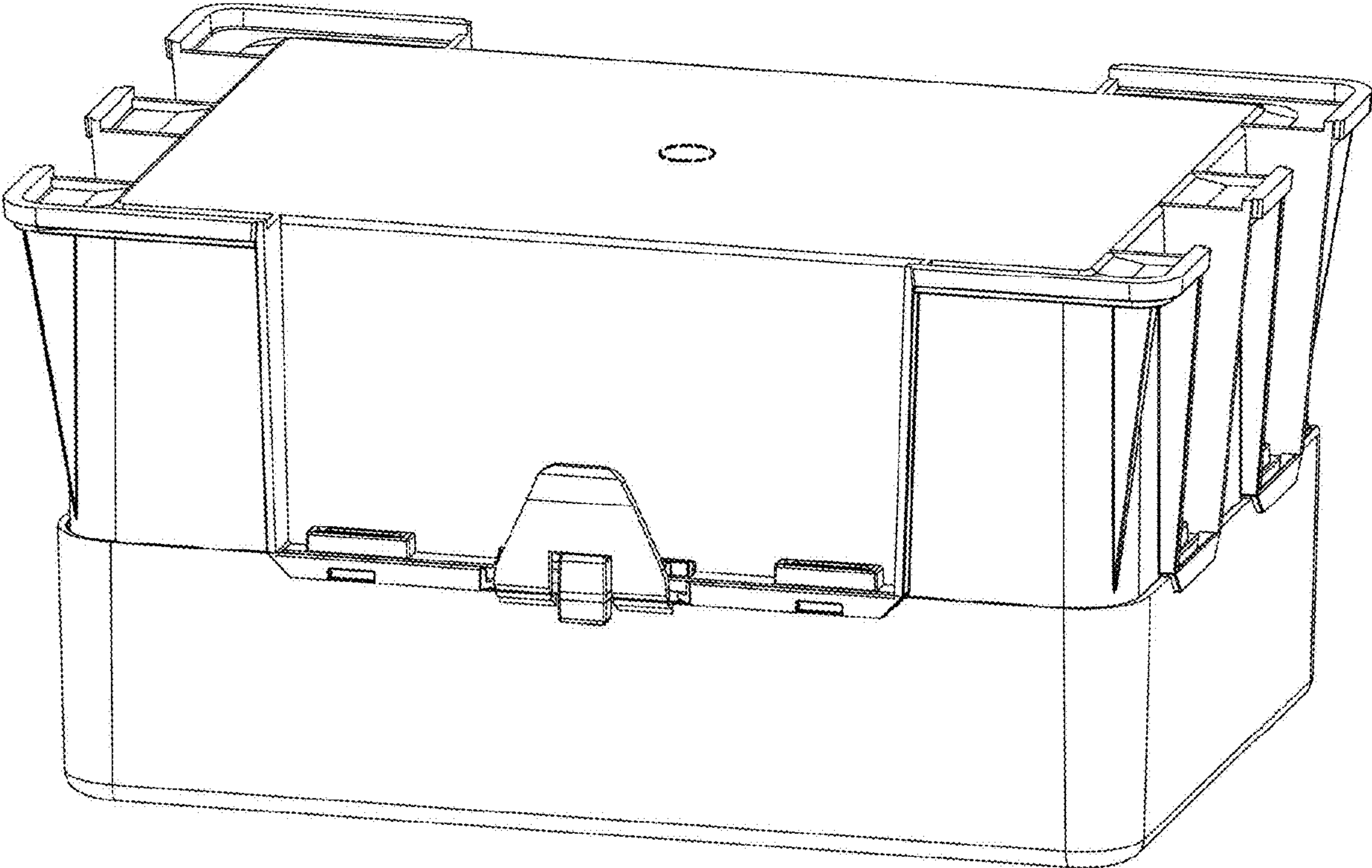


FIG. 8

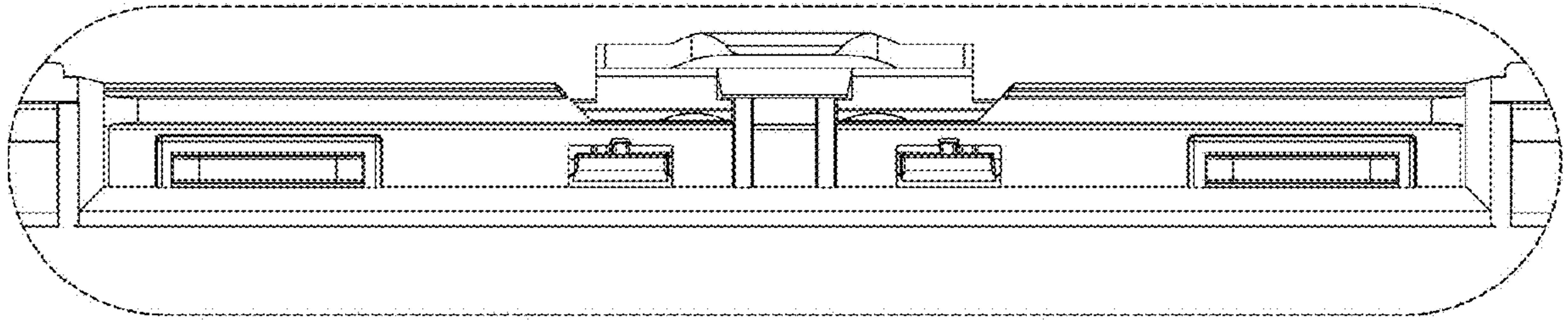


FIG. 9

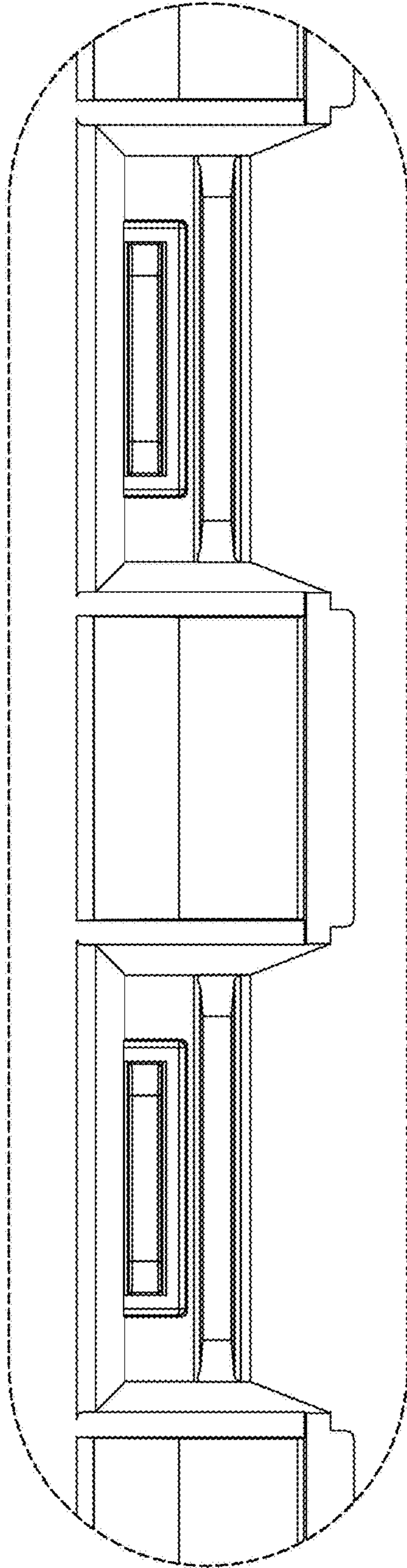


FIG. 10

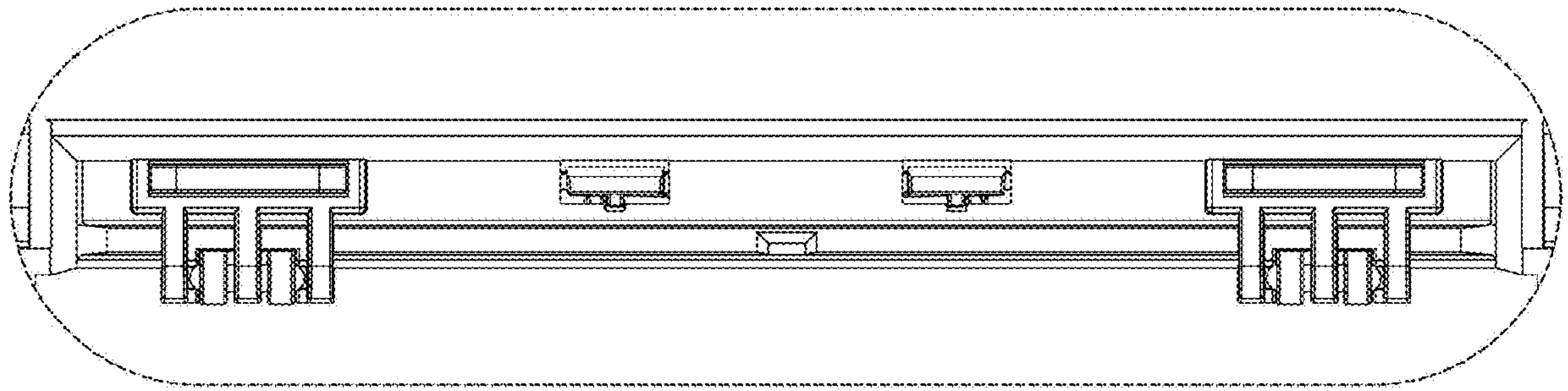


FIG. 11

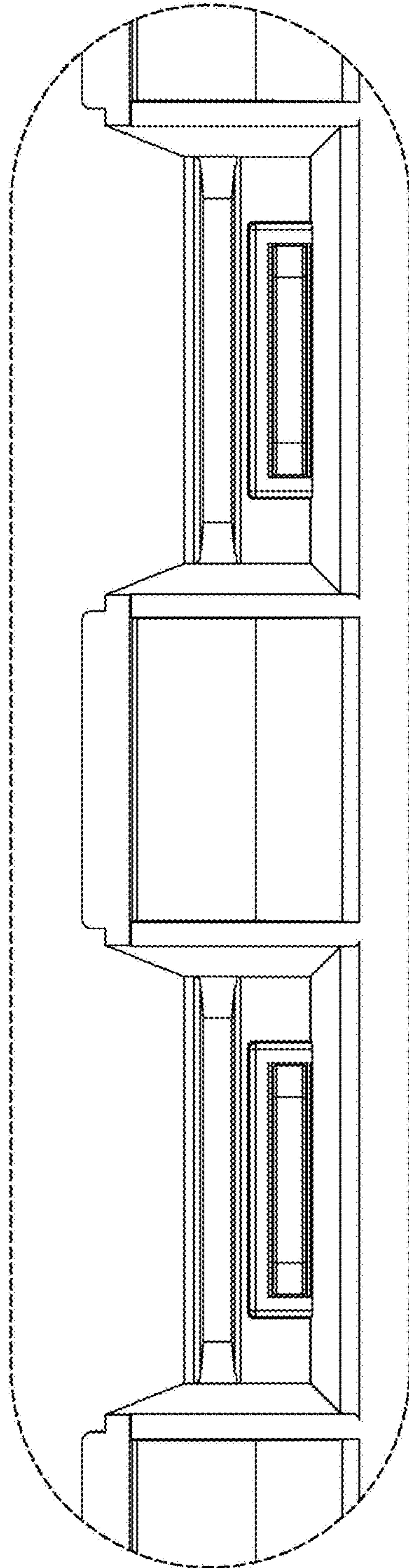


FIG. 12