



US00D950769S

(12) **United States Design Patent**
Klintstedt et al.

(10) **Patent No.:** **US D950,769 S**

(45) **Date of Patent:** **** May 3, 2022**

(54) **MEDICAL TOOL**

(71) Applicant: **Q-linea AB**, Uppsala (SE)

(72) Inventors: **Markus Klintstedt**, Uppsala (SE);
Peter Olsson, Uppsala (SE); **Anders Lind**, Tarnsjo (SE); **Simon Uhrberg**, Uppsala (SE); **Richard Kroon**, Uppsala (SE); **Jerker Persson**, Gavle (SE); **Charlotta Goransson**, Uppsala (SE); **Emma Rennel Dickens**, Uppsala (SE)

(73) Assignee: **Q-LINEA AB**, Uppsala (SE)

(**) Term: **15 Years**

(21) Appl. No.: **29/709,140**

(22) Filed: **Oct. 11, 2019**

(51) **LOC (13) Cl.** **24-02**

(52) **U.S. Cl.**
USPC **D24/224**

(58) **Field of Classification Search**
USPC D24/216, 222–226, 231, 232, 162;
D10/81
CPC B01L 3/565; B01L 3/00
See application file for complete search history.

(56) **References Cited**

U.S. PATENT DOCUMENTS

D669,999 S * 10/2012 Davies D24/224
D670,818 S * 11/2012 Galano D24/224

D785,195 S * 4/2017 Owen D24/224
D803,416 S * 11/2017 Leaver D24/224
D840,549 S * 2/2019 Kelly D24/223
D902,428 S * 11/2020 Klintstedt D24/223
D907,209 S * 1/2021 Maw D24/162
2015/0369827 A1* 12/2015 Zimmerle G01N 33/728
436/97

OTHER PUBLICATIONS

Cartridge. Online, published date unknown. Retrieved on Jan. 15, 2021 from URL: <https://www.qlinea.com/our-products/astar-kits/astar-kits/>.*

* cited by examiner

Primary Examiner — Omeed Agilee

(74) *Attorney, Agent, or Firm* — Fay Sharpe, LLP

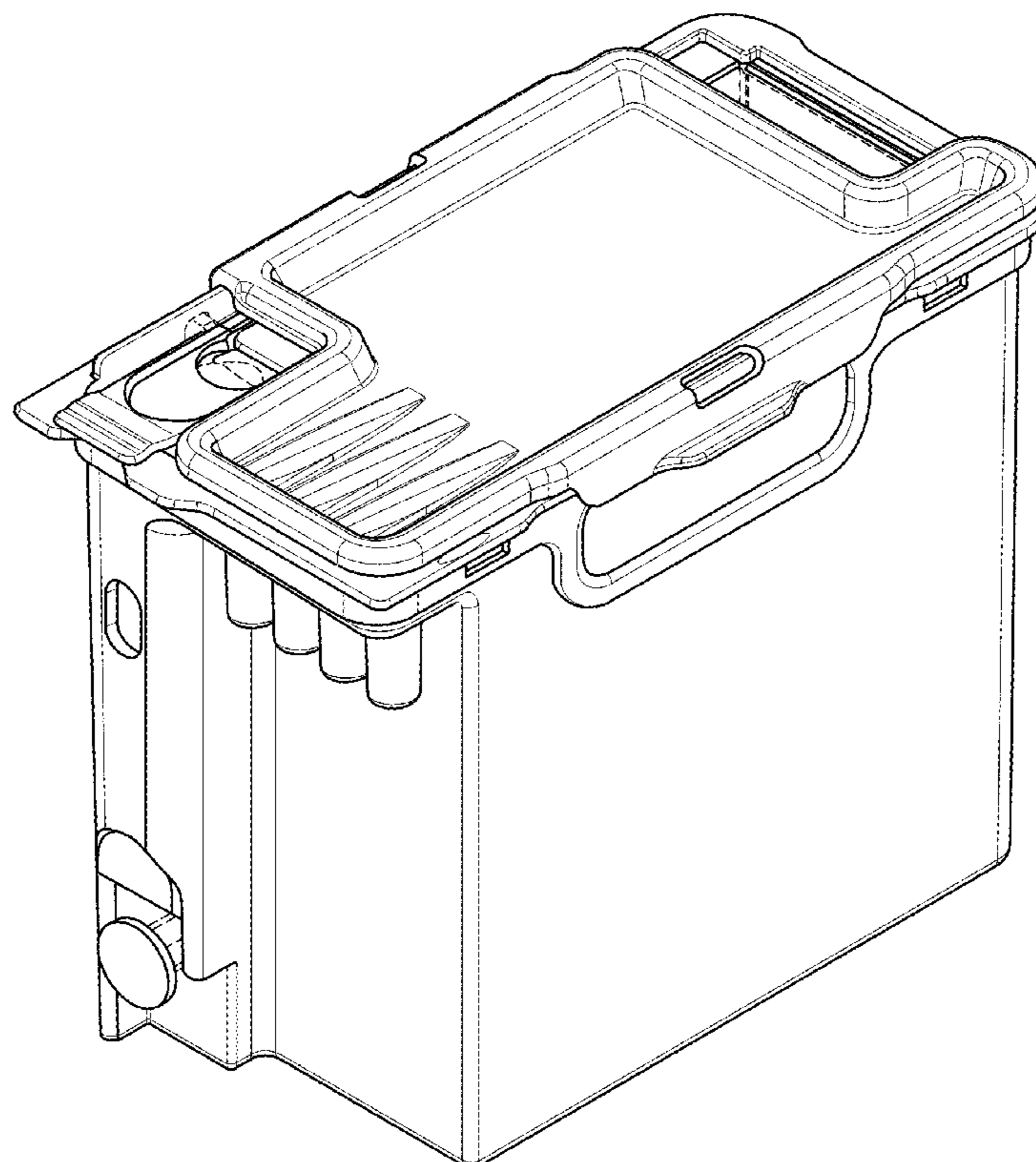
(57) **CLAIM**

The ornamental design for a medical tool, as shown and described.

DESCRIPTION

FIG. 1 is a perspective view of a medical tool showing our new design;
FIG. 2 is a bottom plan view thereof;
FIG. 3 is a left side elevational view thereof;
FIG. 4 is a right side elevational view thereof;
FIG. 5 is a rear elevational view thereof;
FIG. 6 is a front elevational view thereof; and,
FIG. 7 is a top plan view thereof.
The broken lines depict portions of the medical tool that form no part of the claimed design.

1 Claim, 7 Drawing Sheets



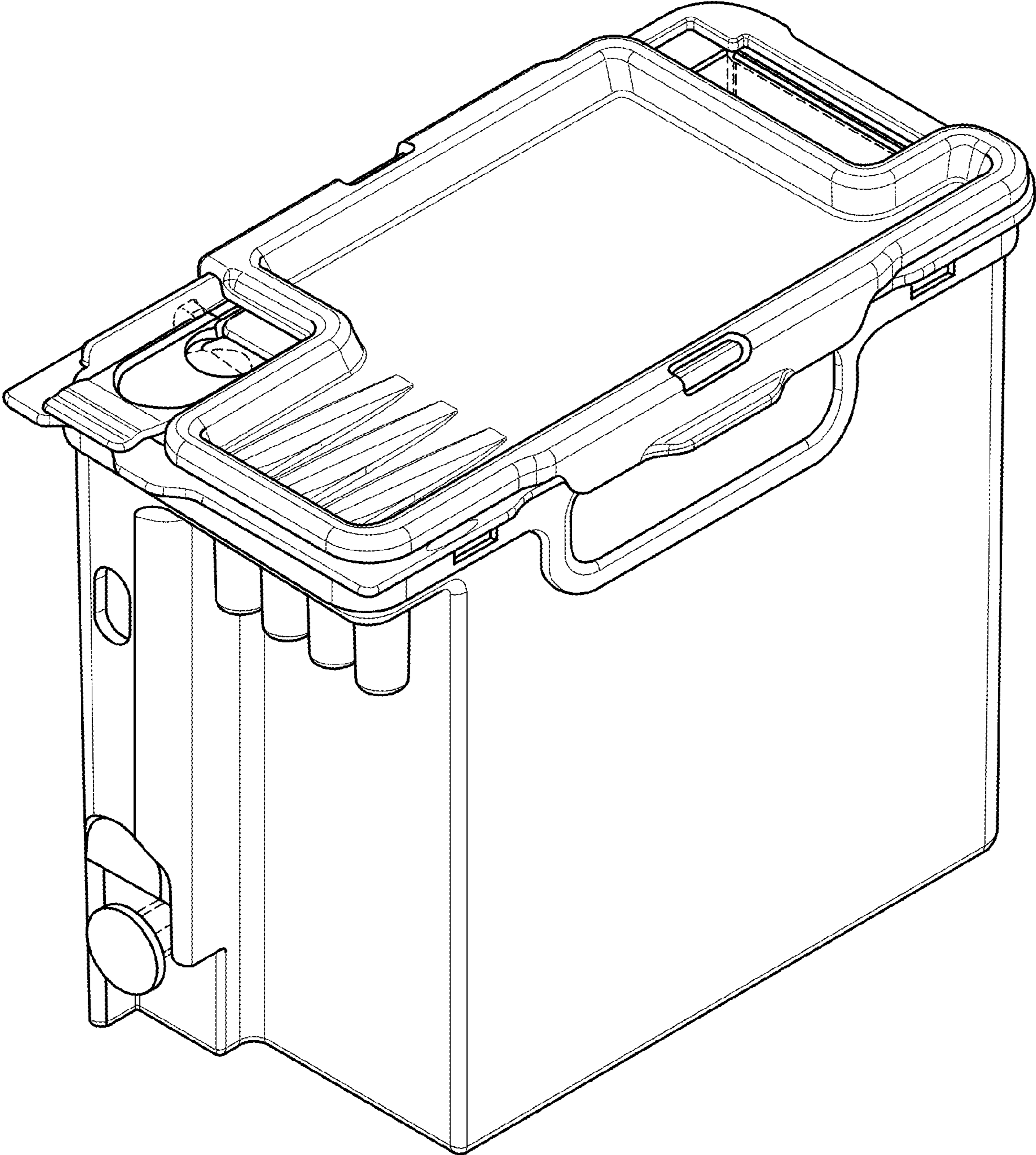


FIG. 1

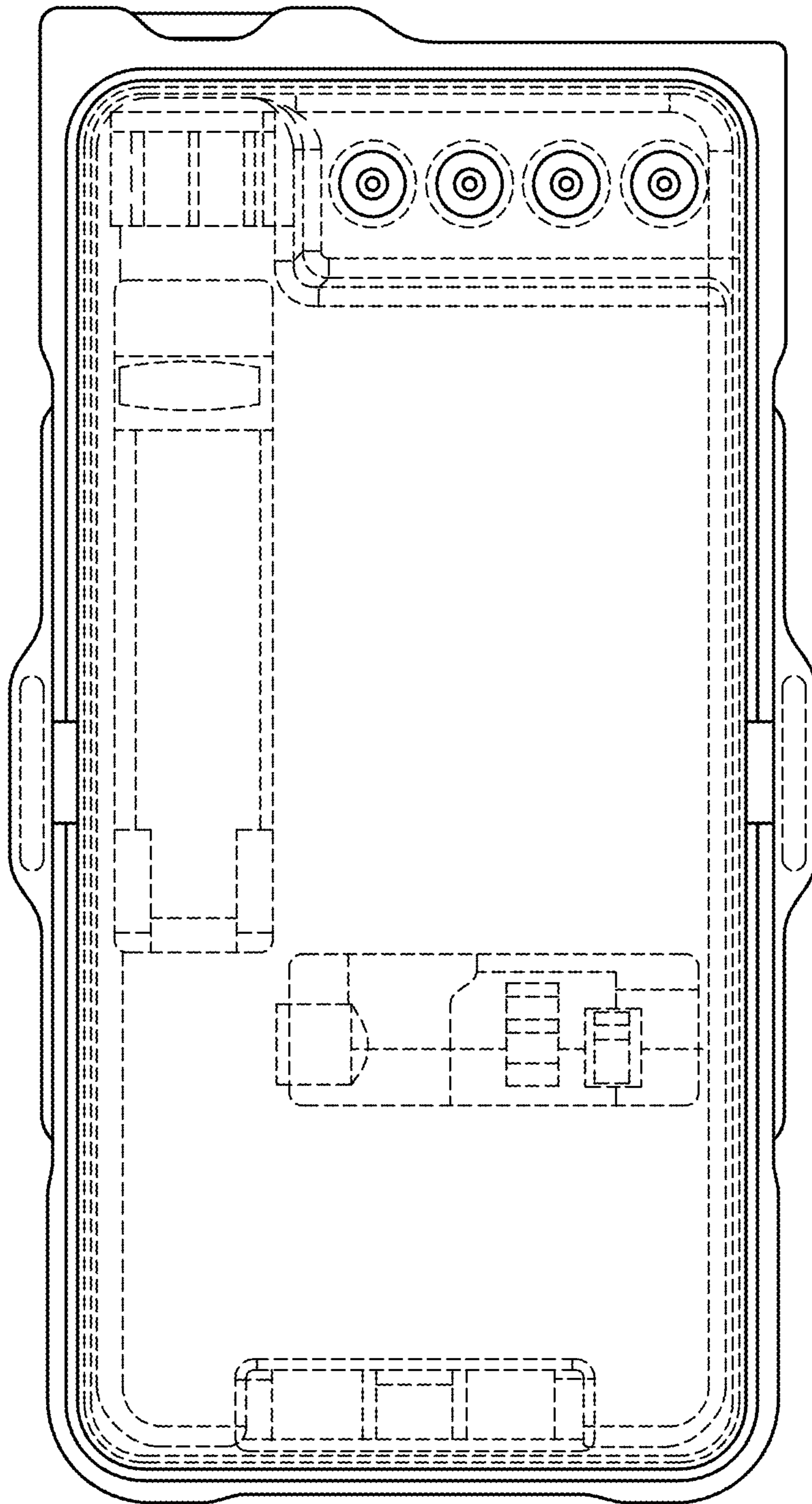


FIG. 2

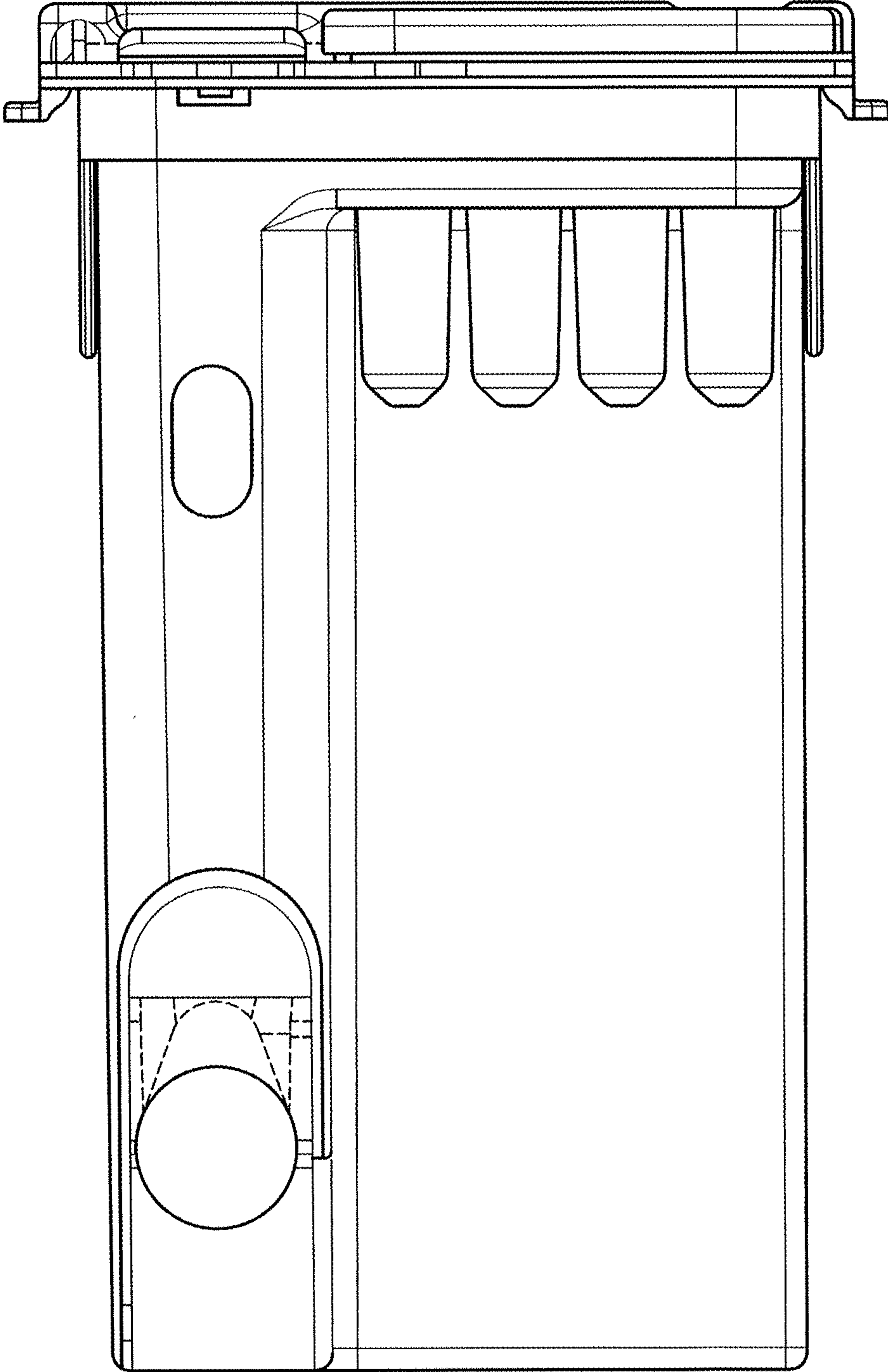


FIG. 3

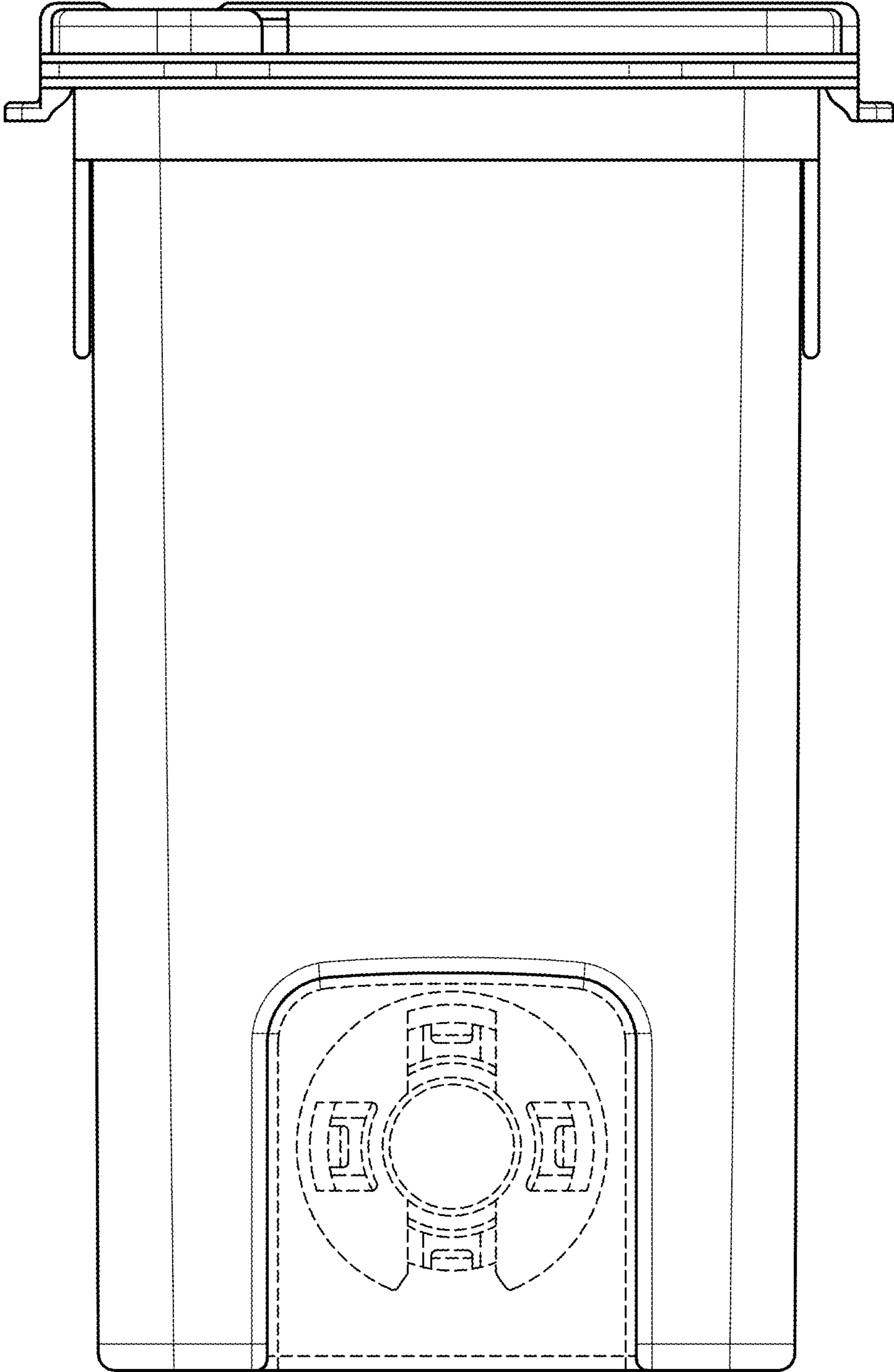


FIG. 4

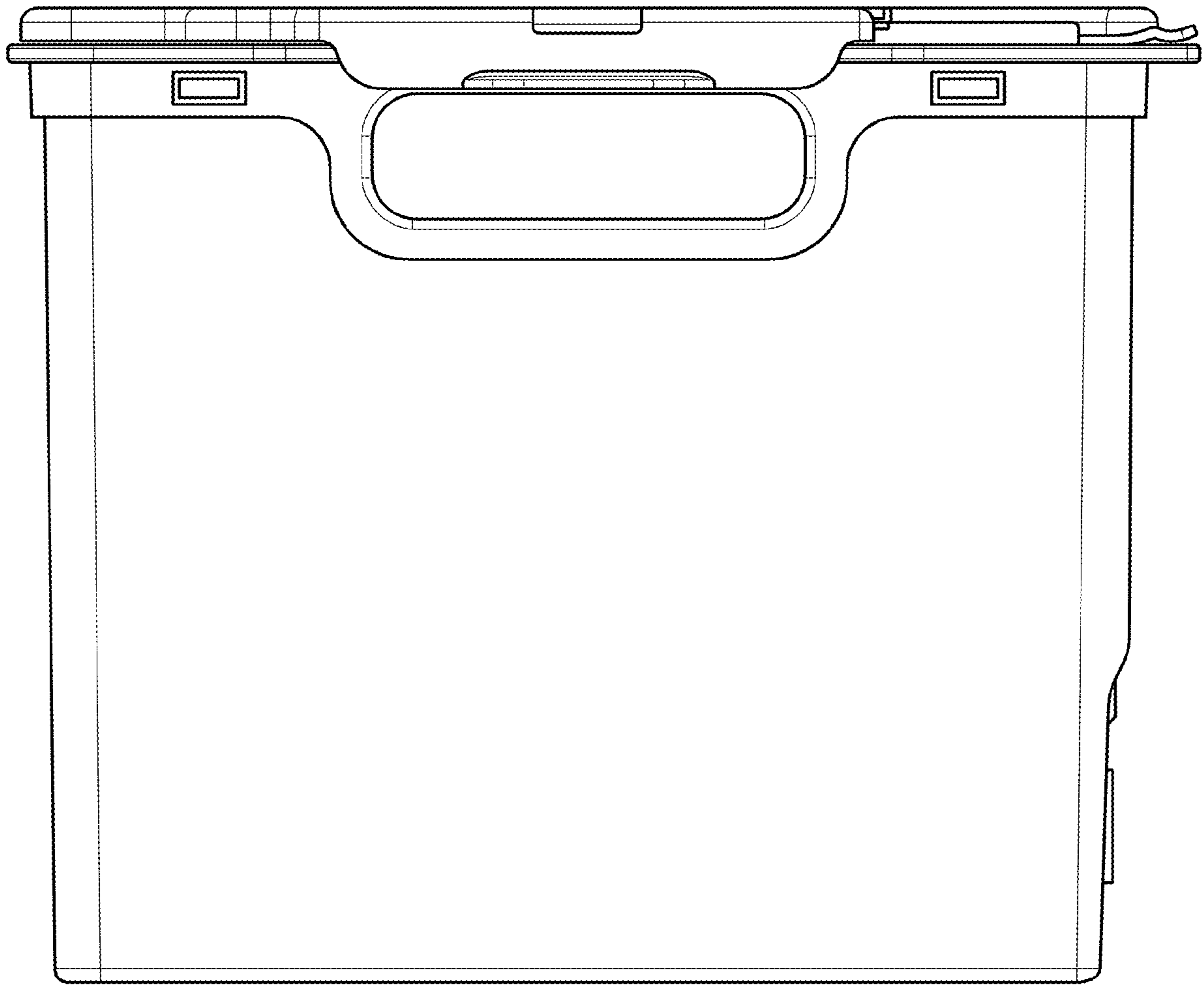


FIG. 5

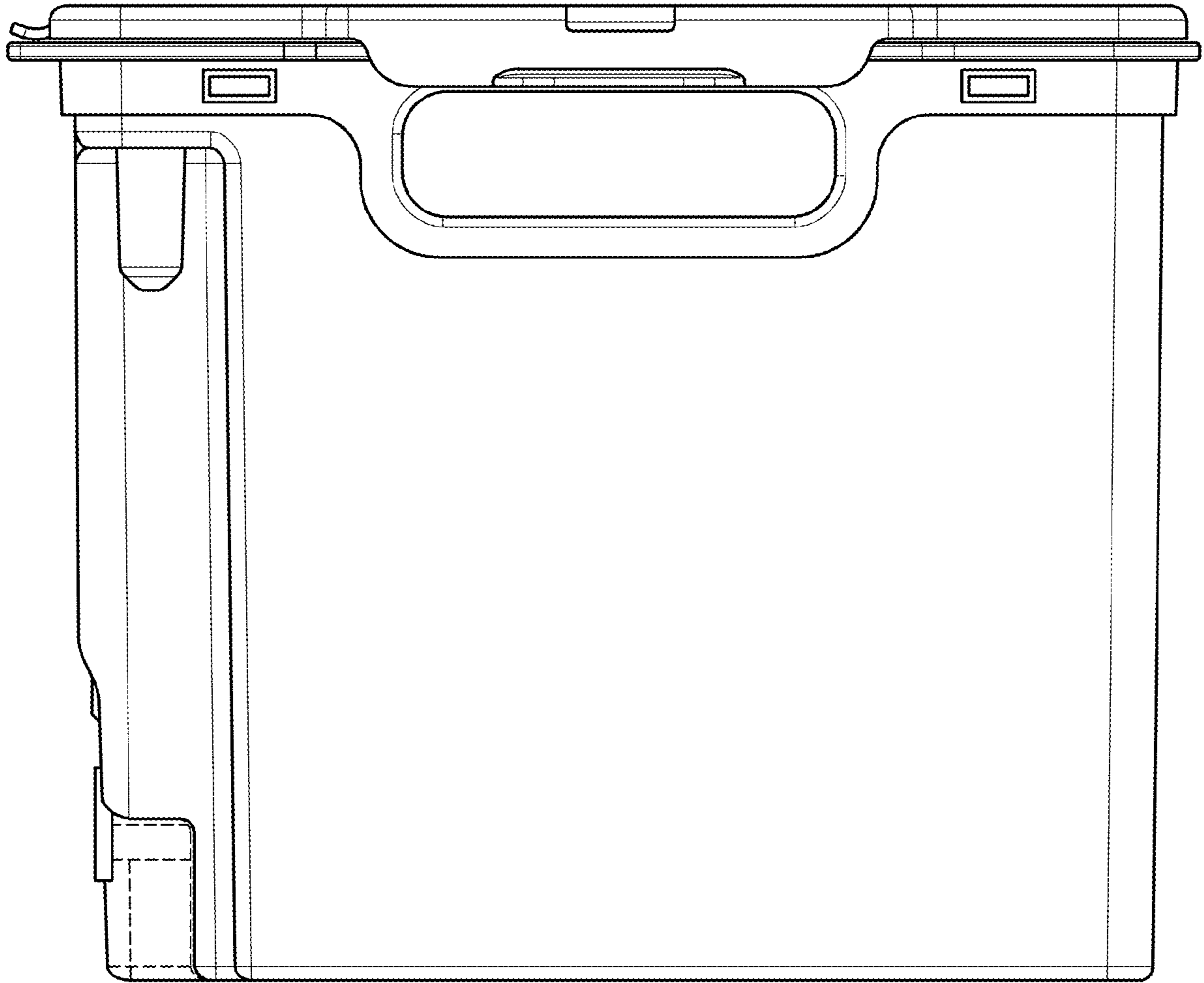


FIG. 6

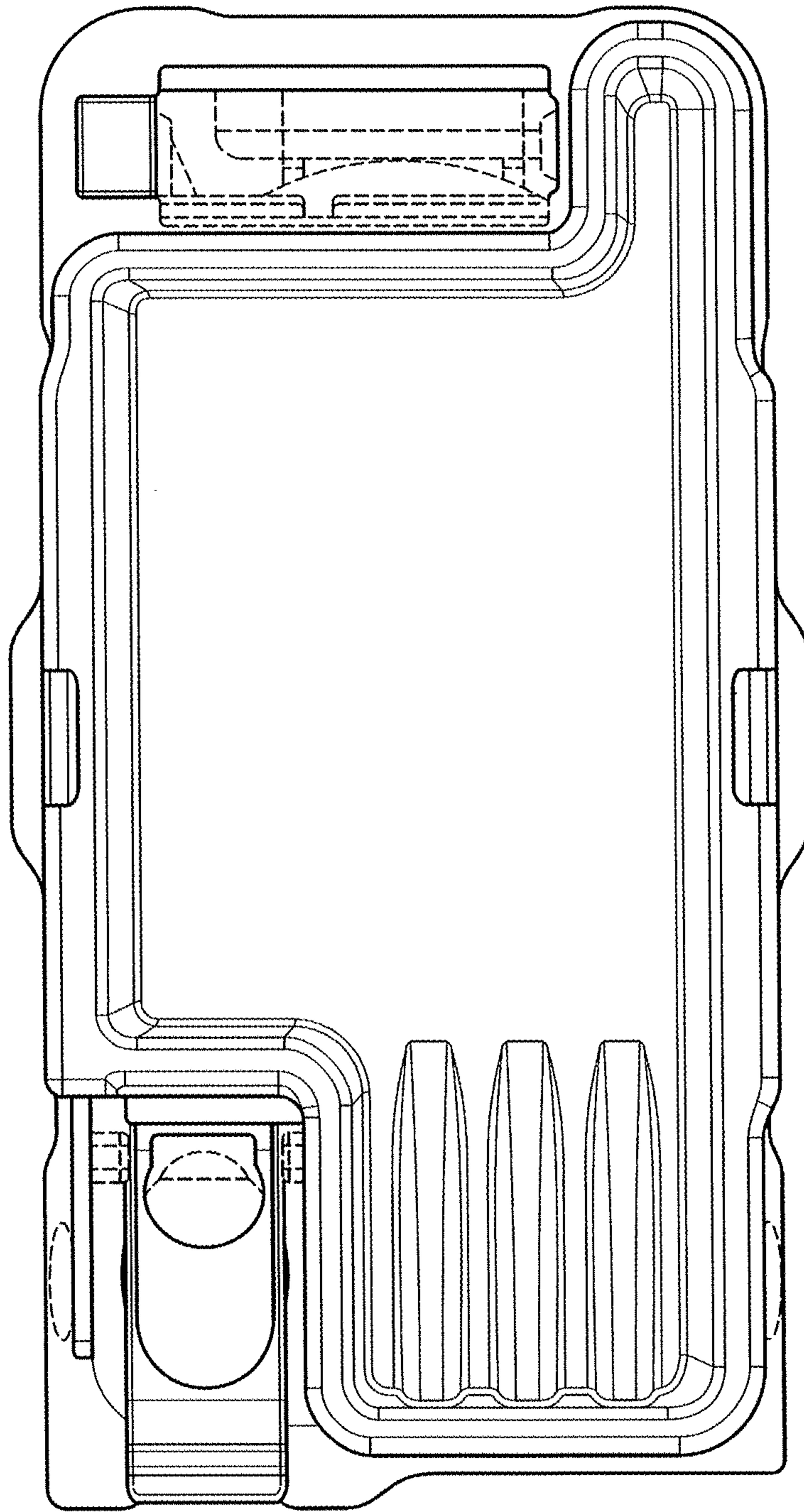


FIG. 7

UNITED STATES PATENT AND TRADEMARK OFFICE
CERTIFICATE OF CORRECTION

PATENT NO. : D950,769 S
APPLICATION NO. : 29/709140
DATED : May 3, 2022
INVENTOR(S) : Markus Klintstedt et al.

Page 1 of 1


It is certified that error appears in the above-identified patent and that said Letters Patent is hereby corrected as shown below:

On the Title Page

Insert:

--(30) Foreign Application Priority Data
Apr. 12, 2019 (EP) 006377255-0001--

Signed and Sealed this
Seventh Day of June, 2022



Katherine Kelly Vidal
Director of the United States Patent and Trademark Office