



US00D950752S

(12) **United States Design Patent**
Wang

(10) **Patent No.:** **US D950,752 S**

(45) **Date of Patent:** **** May 3, 2022**

(54) **MESSAGE GUN**

(71) Applicant: **XIAMEN SIMO ELECTRONIC CO., LTD**, Fujian (CN)

(72) Inventor: **Jeson Wang**, Fujian (CN)

(73) Assignee: **XIAMEN SIMO ELECTRONIC CO., LTD**, Fujian (CN)

(**) Term: **15 Years**

(21) Appl. No.: **29/731,114**

(22) Filed: **Apr. 13, 2020**

(30) **Foreign Application Priority Data**

Dec. 12, 2019 (CN) 201930694614.8

(51) **LOC (13) Cl.** **28-03**

(52) **U.S. Cl.**
USPC **D24/215**

(58) **Field of Classification Search**

USPC D24/215, 200, 211, 212, 213, 214, 133,
D24/188, 107, 231; D8/14.1; D28/13
CPC . A61H 1/00; A61H 1/008; A61H 9/00; A61H
9/005; A61H 9/0007; A61H 9/0021;
A61H 2015/0071; A61H 15/0078; A61H
15/0085; A61H 23/00; A61H 23/006;
A61H 2023/002; A61H 23/06; A61H
23/02; A61H 2201/0153; A61H
2201/0157; A61H 7/005; A61H 7/003
See application file for complete search history.

(56) **References Cited**

U.S. PATENT DOCUMENTS

D487,219 S * 3/2004 Chudy D8/68
D544,102 S * 6/2007 Pivaroff D24/215
D573,425 S * 7/2008 Post D8/14.1
D606,247 S * 12/2009 Yu D28/13

D863,571 S * 10/2019 Yang D24/200
D872,869 S * 1/2020 Lu D24/215
2016/0302548 A1* 10/2016 Yamazaki A45D 20/10
2017/0304145 A1* 10/2017 Pepe A61H 23/006
2018/0200141 A1* 7/2018 Wersland A61H 15/0085
2020/0276079 A1* 9/2020 Cheng A61H 23/06

OTHER PUBLICATIONS

Fascia Gun. Date: Sep. 30, 2019. [online]. [Site visited Jun. 8, 2021], Available from Internet URL: <https://www.amazon.co.uk/dp/B07YKTHHTJK/> (Year: 2019).*

(Continued)

Primary Examiner — Susan Bennett Hattan

Assistant Examiner — Landon Thomas Cassell

(74) *Attorney, Agent, or Firm* — JCIP Global Inc.

(57) **CLAIM**

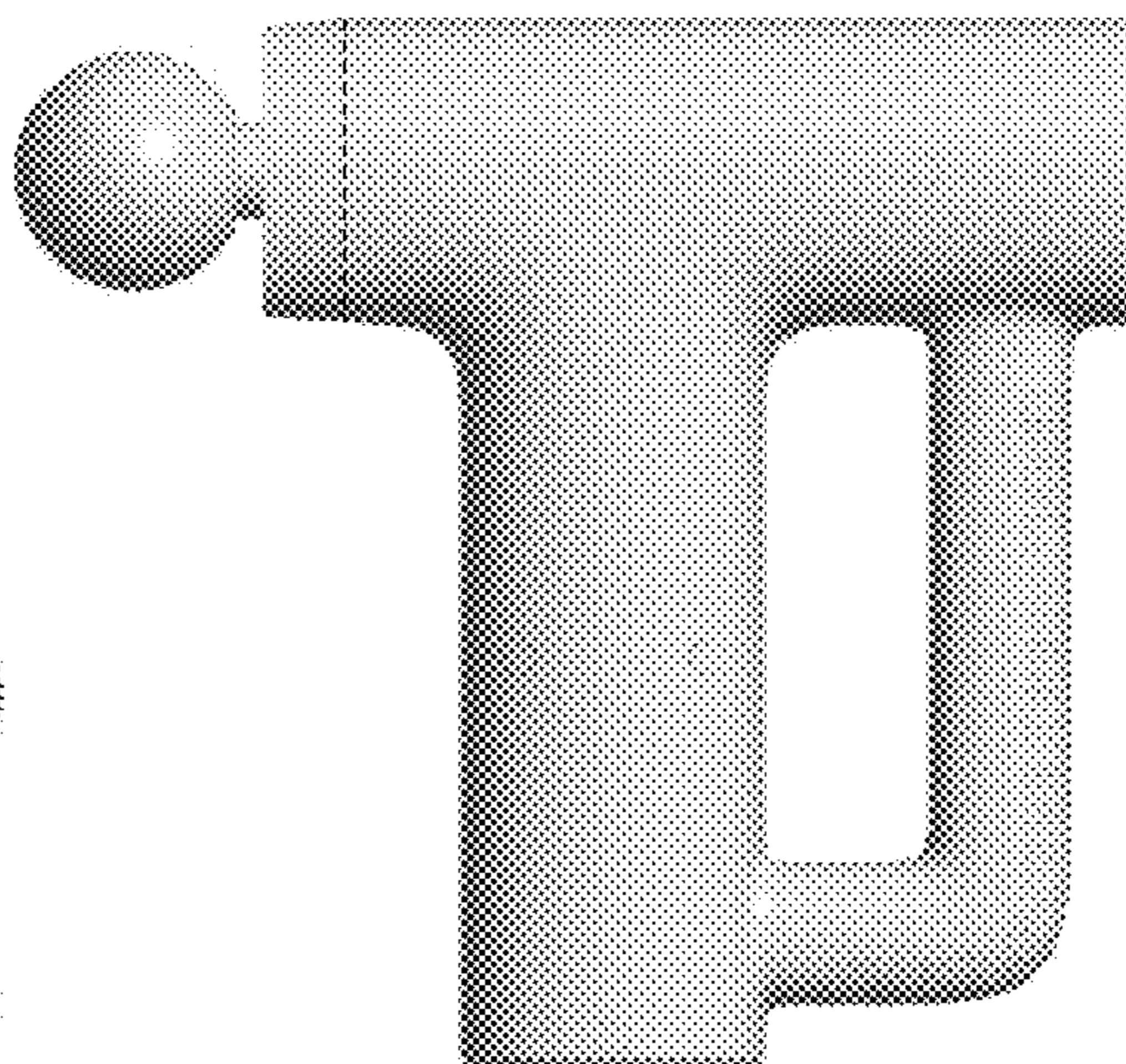
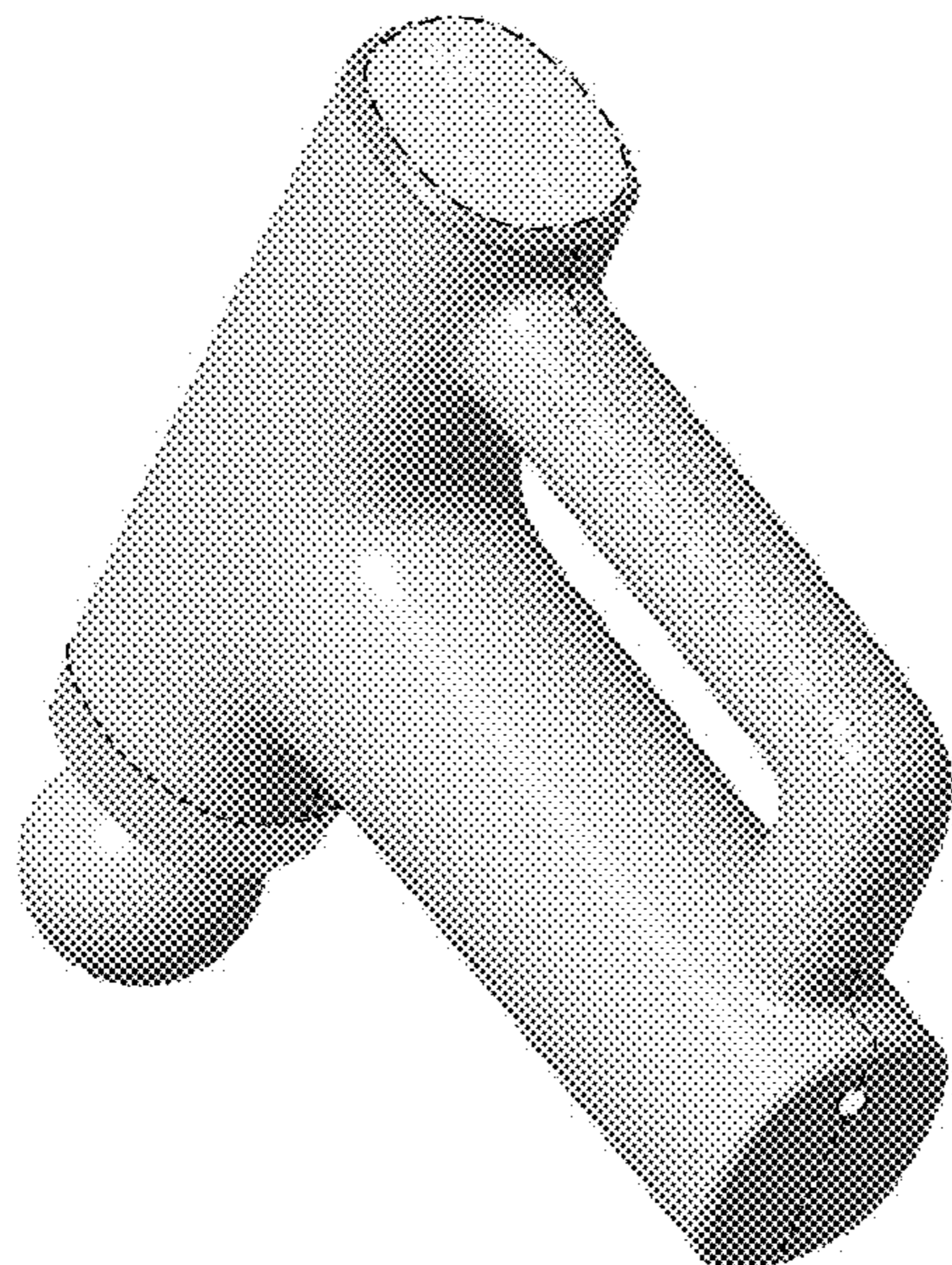
The ornamental design for a massage gun, as shown and described.

DESCRIPTION

FIG. 1 is a perspective view of a massage gun showing my new design;
FIG. 2 is a front view thereof;
FIG. 3 is a rear view thereof;
FIG. 4 is a left side view thereof;
FIG. 5 is a right side view thereof;
FIG. 6 is a top view thereof; and,
FIG. 7 is a bottom view thereof.

The evenly spaced broken lines in the drawings represent portions of the massage gun that form no part of the claimed design. The uneven dot-dash broken lines in the drawings represent a boundary line that form no part of the claimed design. The lighter shaded portions of the massage gun shown within the uneven dot-dash boundary lines form no part of the claim design.

1 Claim, 7 Drawing Sheets



(56)

References Cited

OTHER PUBLICATIONS

Handheld Muscle Massage Gun. Date: Jun. 12, 2019. [online]. [Site visited Jun. 8, 2021], Available from Internet URL: <https://www.amazon.co.uk/dp/B07SYKV4M5/> (Year: 2019).*

Massage guns. (Design—© Questel) orbit.com. [Online PDF compilation of references] 43 pgs. Print Dates Range Nov. 5, 2015-Apr. 7, 2020 [Retrieved Jun. 4, 2021] <https://www.orbit.com/export/UCZAH96B/pdf4/68976163-2835-46b2-815c-16a0df84d1e6-162931.pdf> (Year: 2021).*

* cited by examiner

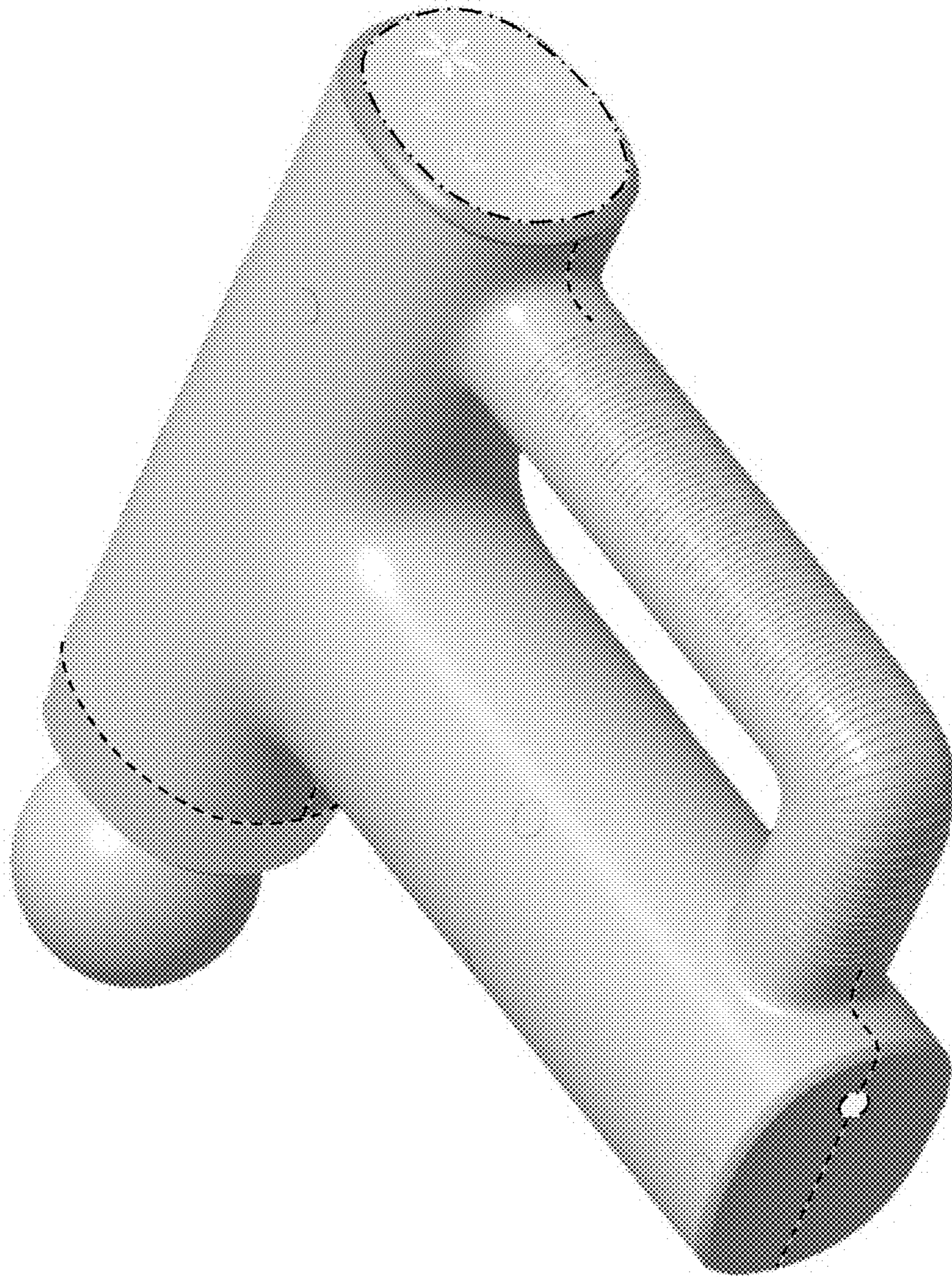


FIG. 1

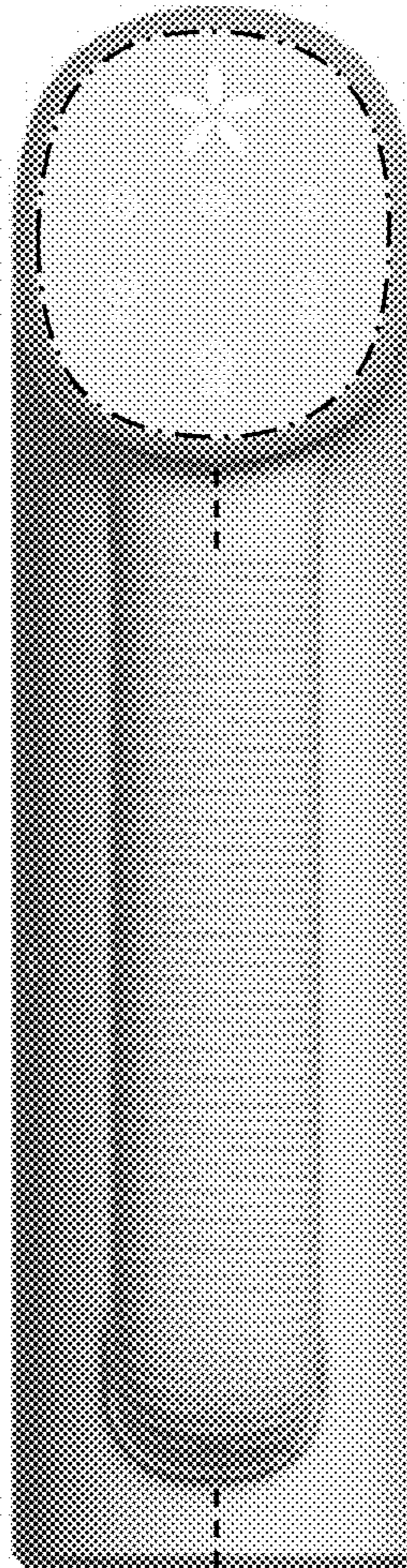


FIG. 2

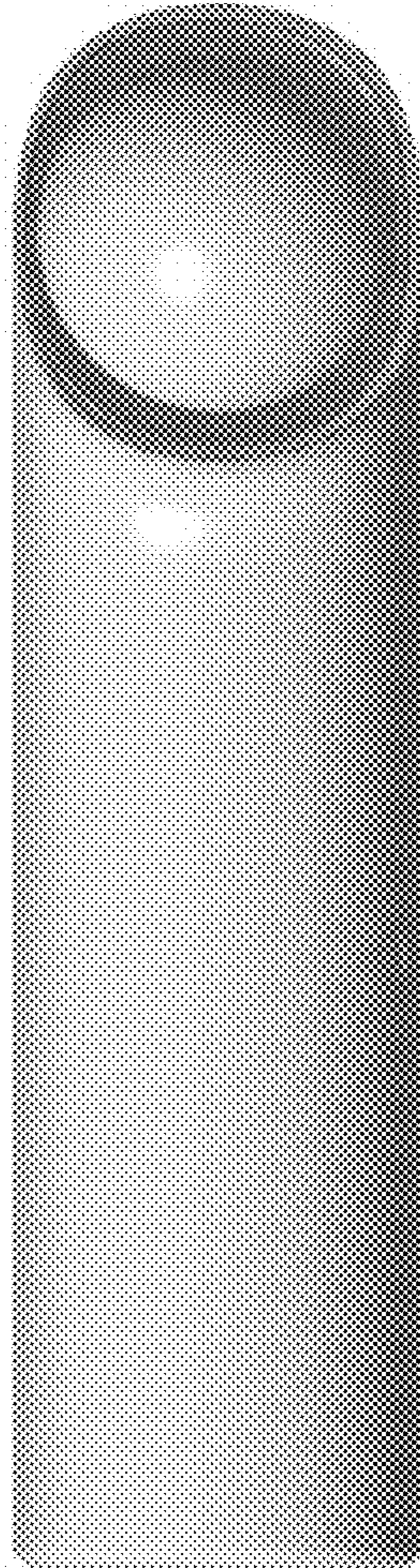


FIG. 3

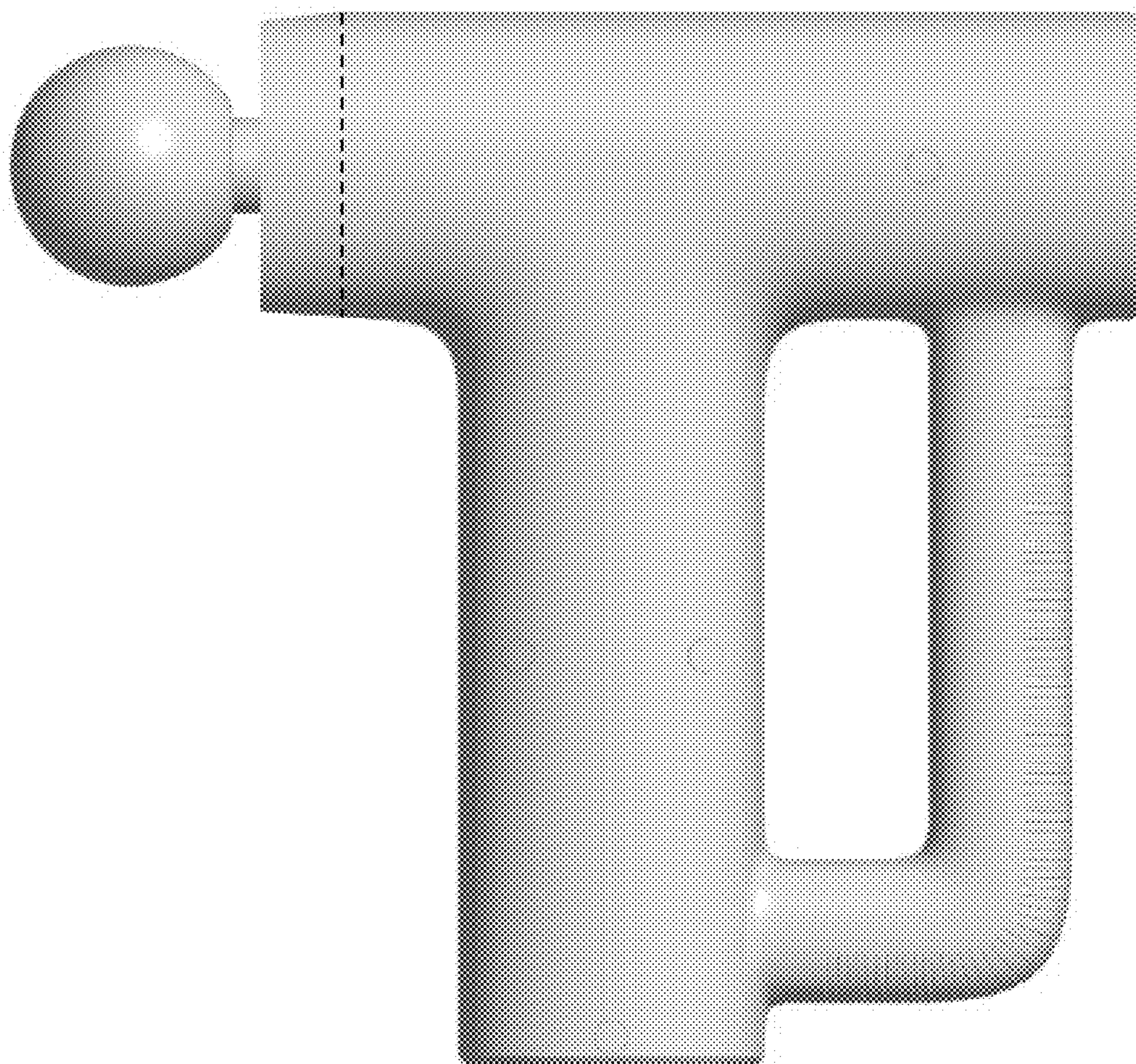


FIG. 4

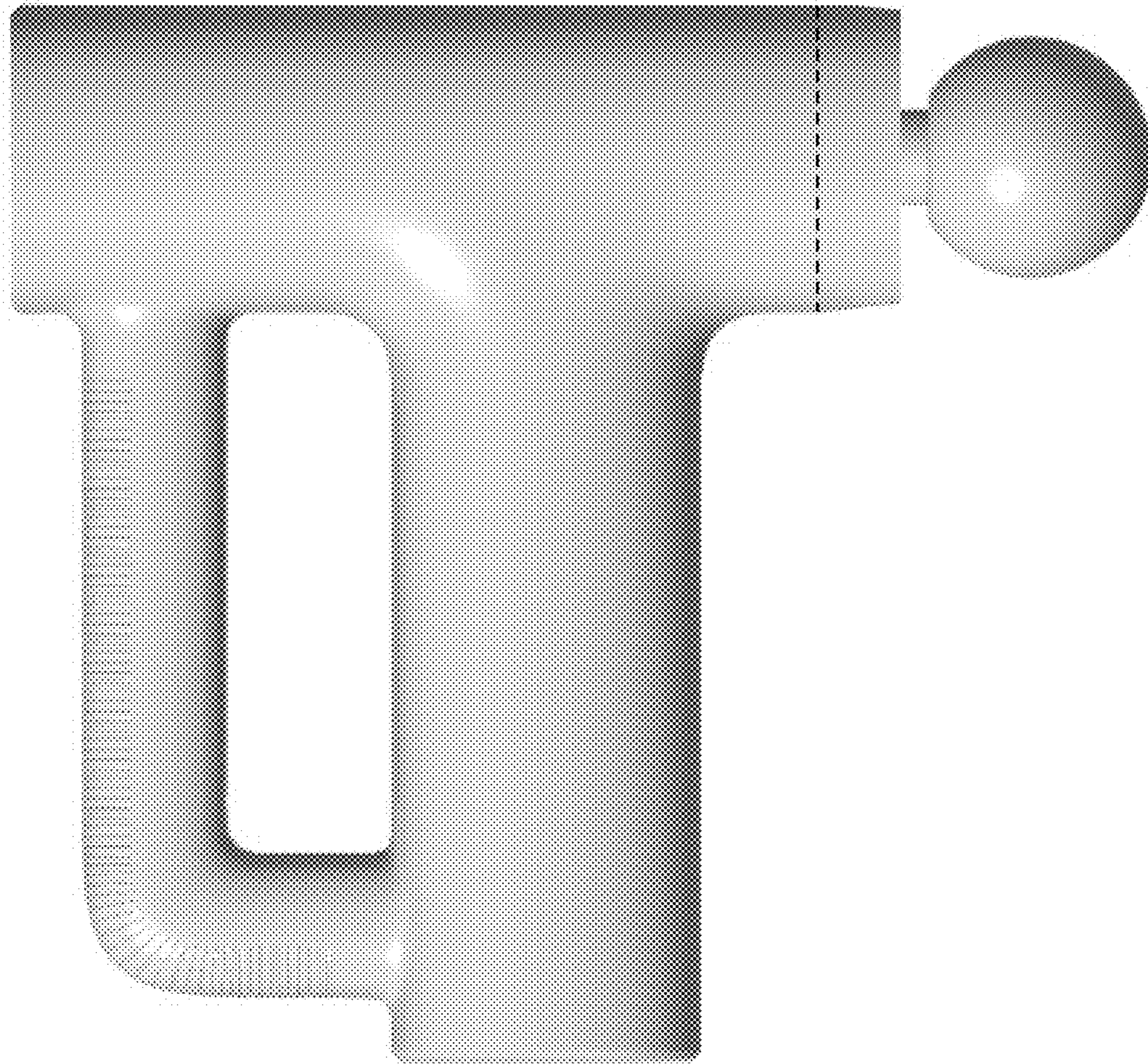


FIG. 5

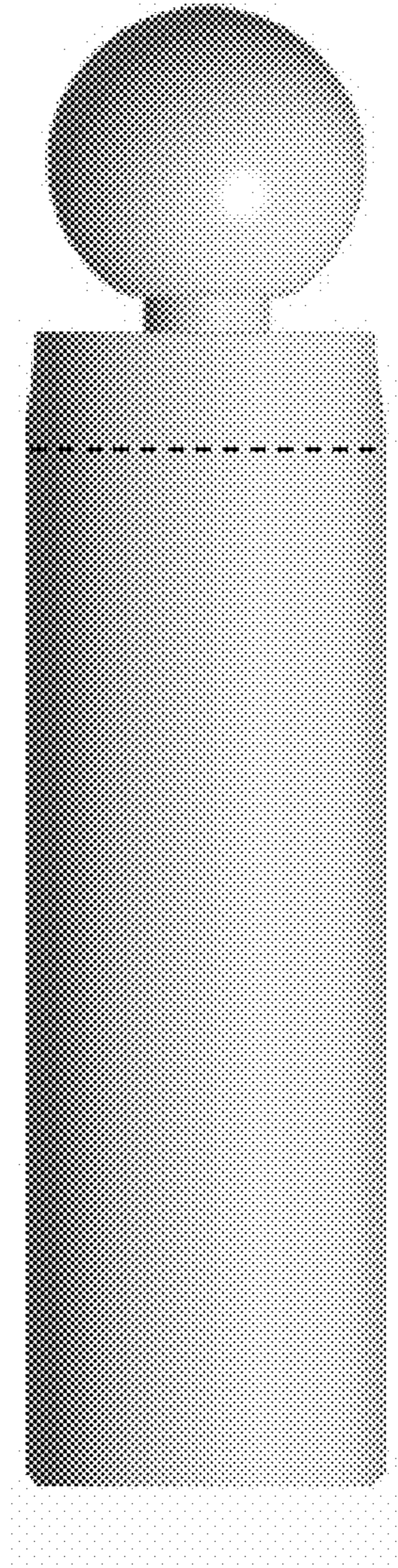


FIG. 6

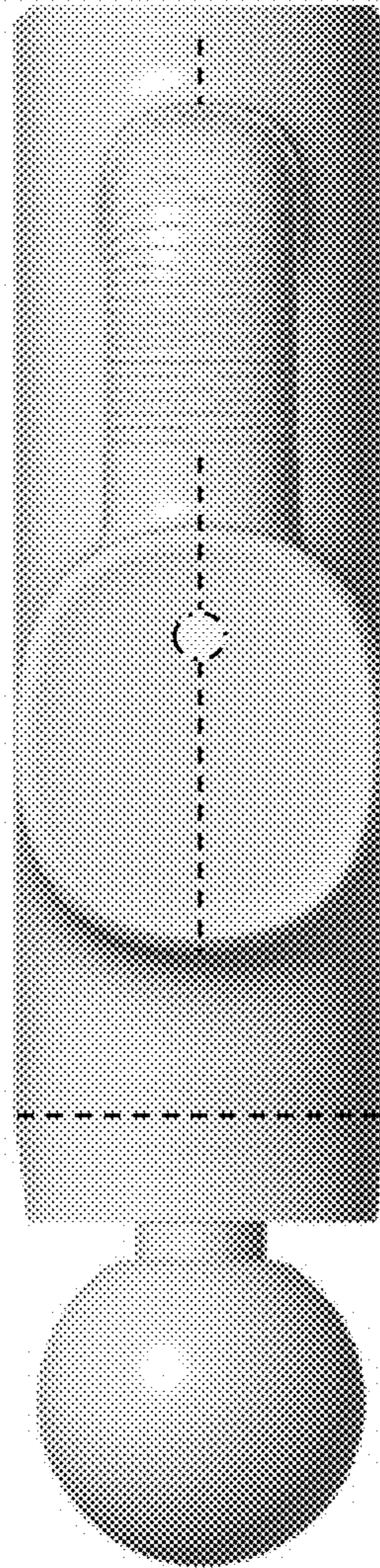


FIG. 7