



US00D950748S

(12) **United States Design Patent** (10) **Patent No.:** **US D950,748 S**
Gong (45) **Date of Patent:** **** May 3, 2022**

(54) **BLACKHEAD REMOVER**

(71) Applicant: **Shenzhen Jingrui Technology Co., Ltd.**, Guangdong (CN)

(72) Inventor: **Zhen Gong**, Guangdong (CN)

(**) Term: **15 Years**

(21) Appl. No.: **29/731,402**

(22) Filed: **Apr. 15, 2020**

(51) **LOC (13) Cl.** **24-02**

(52) **U.S. Cl.**
USPC **D24/214**

(58) **Field of Classification Search**
USPC D24/107, 133, 188, 211–214, 231;
D28/58

CPC A61B 2017/00761; A61B 2017/00747;
A61B 2217/005; A61B 2018/00452;
A61N 5/0616

See application file for complete search history.

(56) **References Cited**

U.S. PATENT DOCUMENTS

- D425,241 S * 5/2000 Nishizawa D28/9
- 7,431,718 B2 * 10/2008 Ikadai A61M 1/0058
604/540
- D747,800 S * 1/2016 Dunleavy D24/133
- D797,302 S * 9/2017 Vahlensieck D24/209
- D829,921 S * 10/2018 Xiong D24/214
- D848,677 S * 5/2019 Thalmann D28/58
- D880,710 S * 4/2020 Amoyal D24/209
- D892,322 S * 8/2020 Yang D24/133
- D901,031 S * 11/2020 Yoon D24/209
- D901,704 S * 11/2020 Huang D24/214
- D904,635 S * 12/2020 Shenfarber D24/209
- D906,530 S * 12/2020 Liu D24/214
- D907,789 S * 1/2021 Shenfarber D24/209
- D909,563 S * 2/2021 Hou D24/108
- D925,752 S * 7/2021 Wang D24/214
- D926,332 S * 7/2021 Wang D24/214
- 2018/0126160 A1 * 5/2018 Hyun A61N 1/0476
- 2020/0046999 A1 * 2/2020 Lim A61B 5/0077

- 2020/0179220 A1 * 6/2020 Jablow A61H 1/00
- 2020/0187986 A1 * 6/2020 Hsu A46B 13/023
- 2021/0038778 A1 * 2/2021 Chen H04N 5/2253

FOREIGN PATENT DOCUMENTS

CN 305959507 * 7/2020

OTHER PUBLICATIONS

Tiirui Blackhead Remover Vacuum Magnifying Glass, 2021, Amazon, [Post date Jan. 1, 2021], [Site visted Sep. 28, 2021], Seen at URL: https://www.amazon.com/Tiirui-Magnifying-Rechargeable-Lightweight-Replaceable/dp/B08LK8JBXJ/ref=asc_df_B08LK8JBXJ/?tag=hyprod-20&linkC%E2%80%A6 (Year: 2021).*

* cited by examiner

Primary Examiner — Natasha Vujcic

Assistant Examiner — Gilbert B Ford

(74) *Attorney, Agent, or Firm* — Prakash Nama; Global IP Services, PLLC

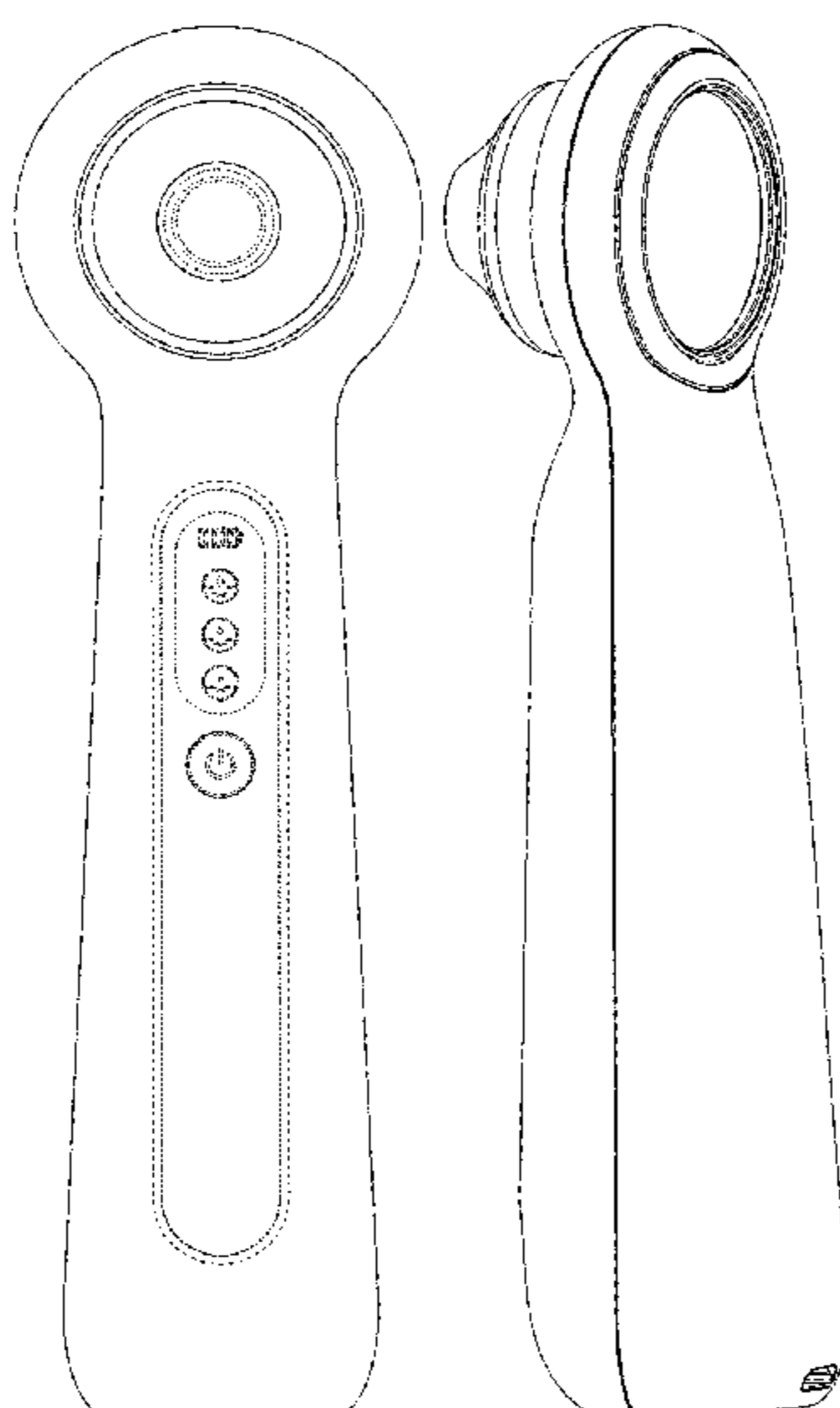
(57) **CLAIM**

The ornamental design for a blackhead remover, as shown and described.

DESCRIPTION

FIG. 1 is a front elevational view of a blackhead remover showing my new design;
FIG. 2 is a rear elevational view thereof;
FIG. 3 is a left side view thereof;
FIG. 4 is a right side view thereof;
FIG. 5 is a top plan view thereof;
FIG. 6 is a bottom plan view thereof; and,
FIG. 7 is a perspective view thereof.
The broken lines illustrate portions of the blackhead remover that form no part of the claimed design.

1 Claim, 6 Drawing Sheets



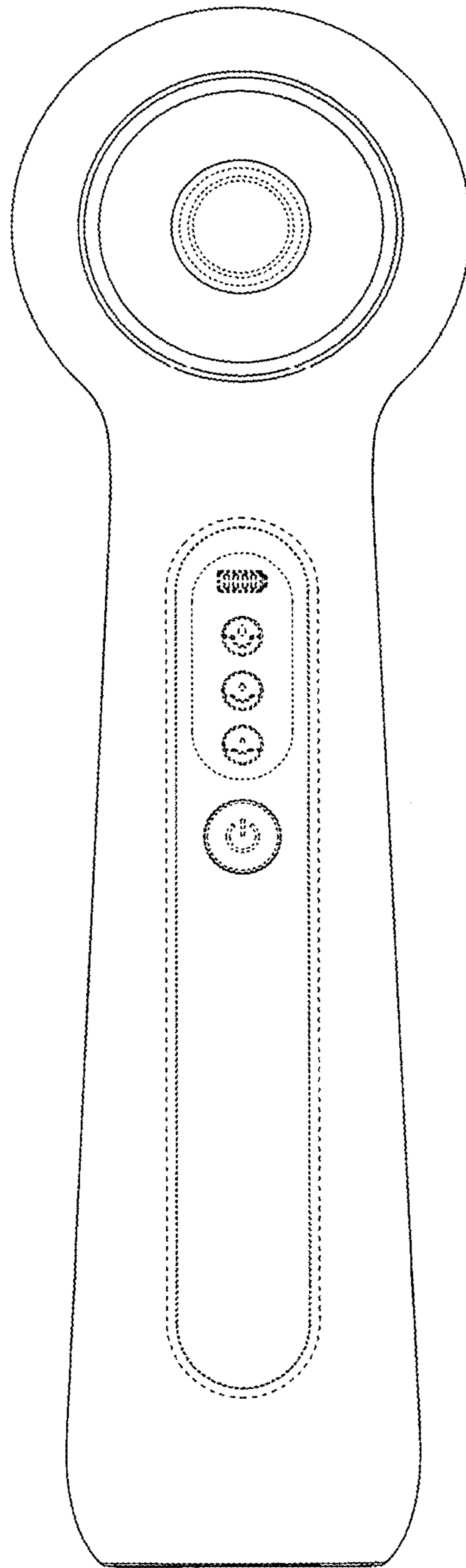


FIG. 1

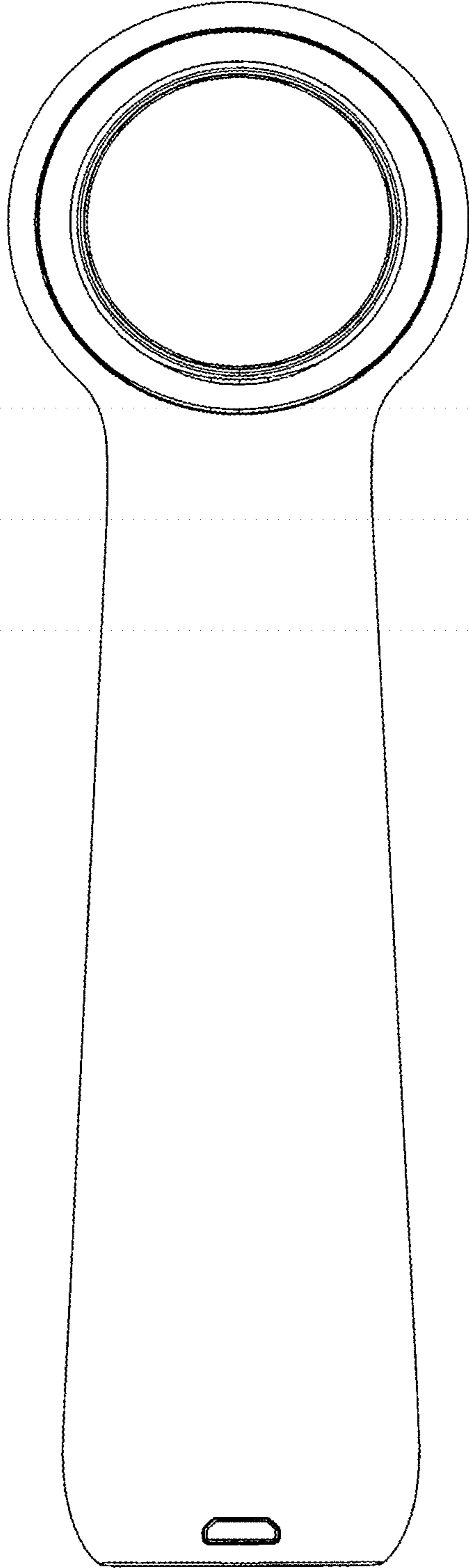


FIG. 2

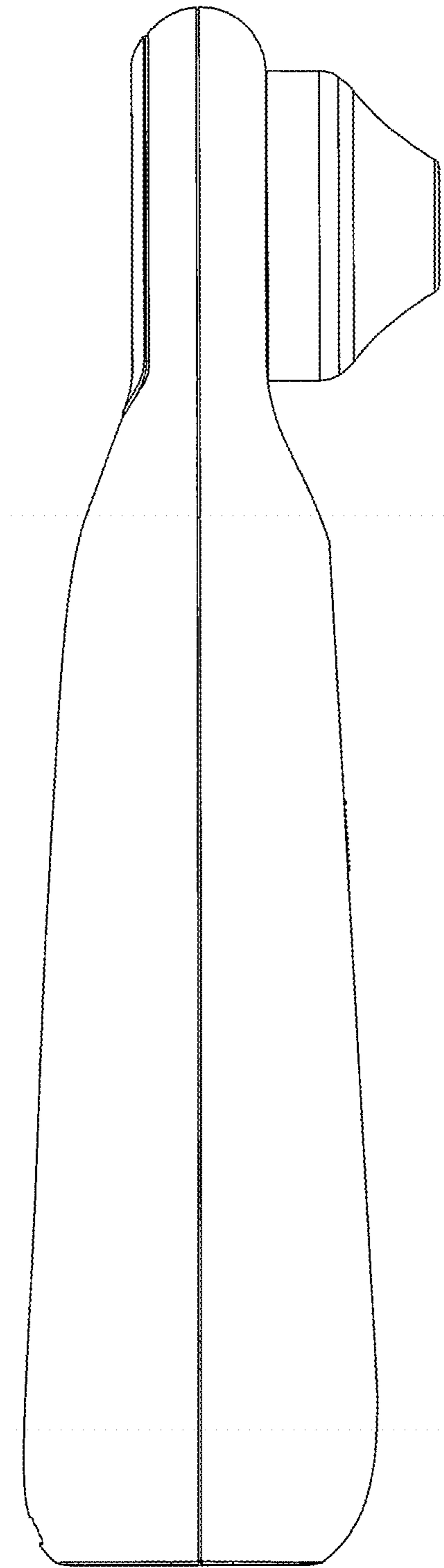


FIG. 3

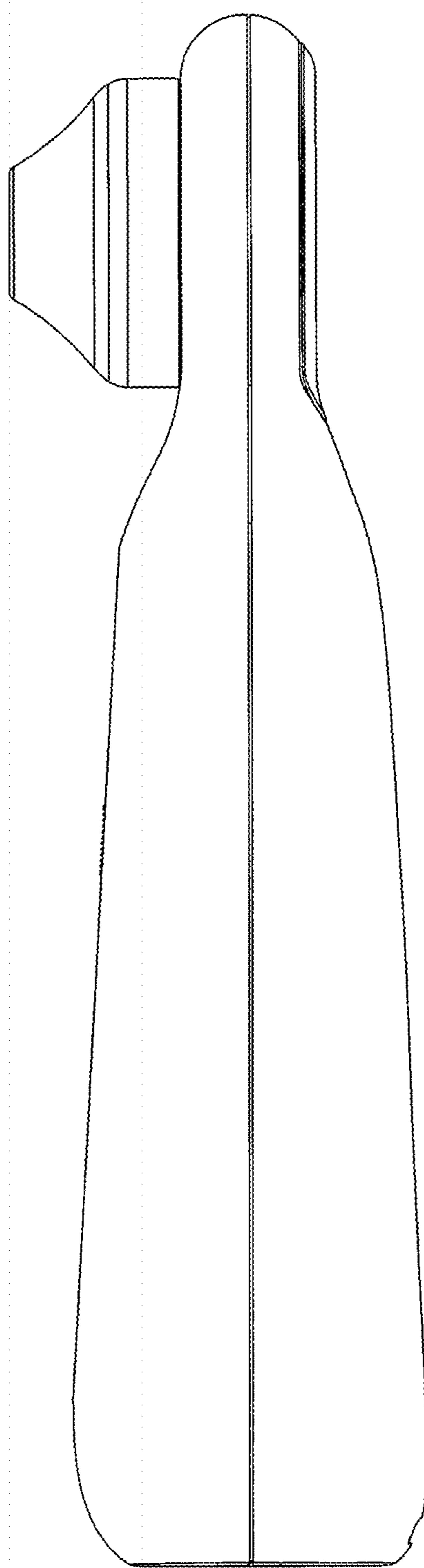


FIG. 4

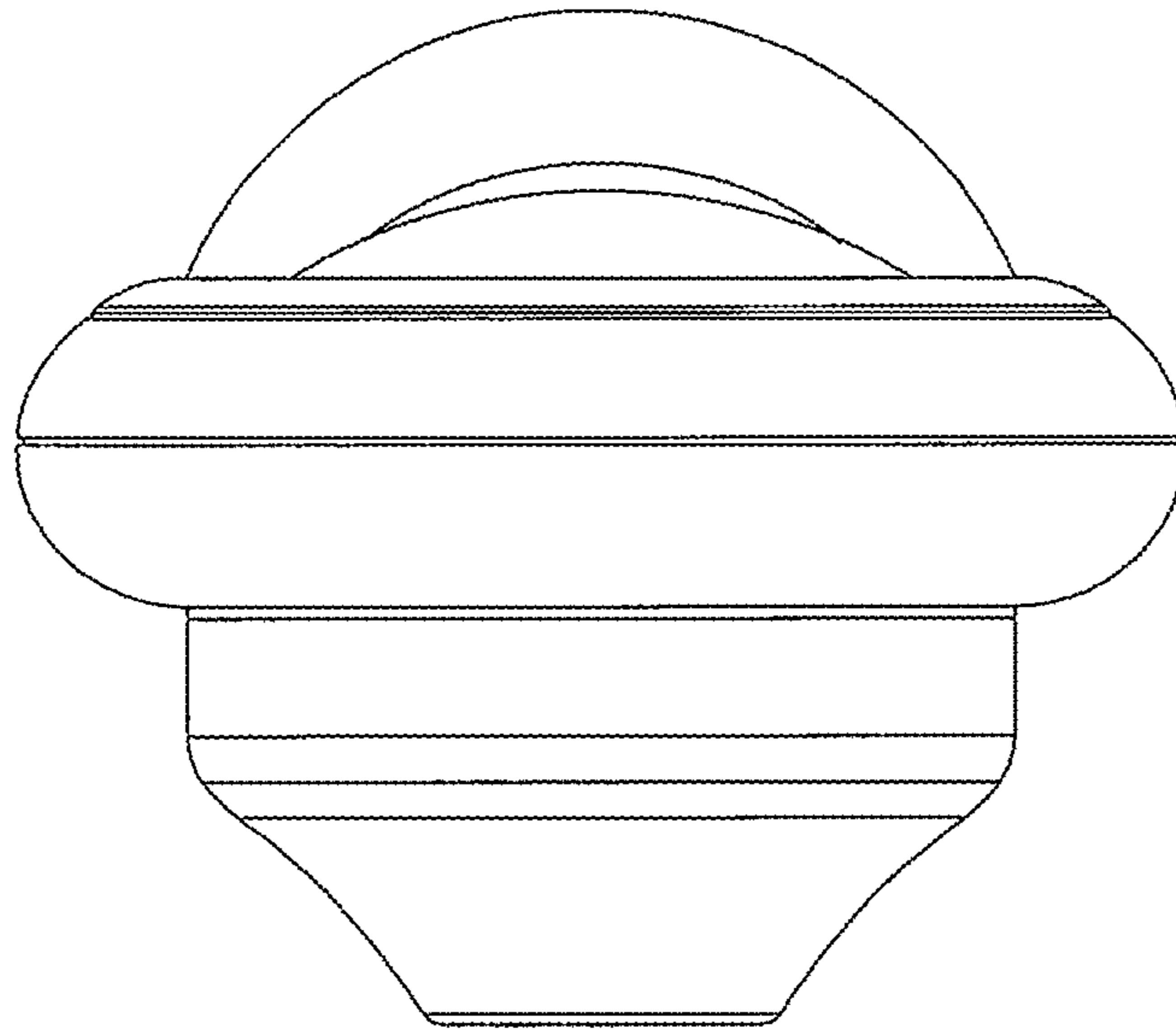


FIG. 5

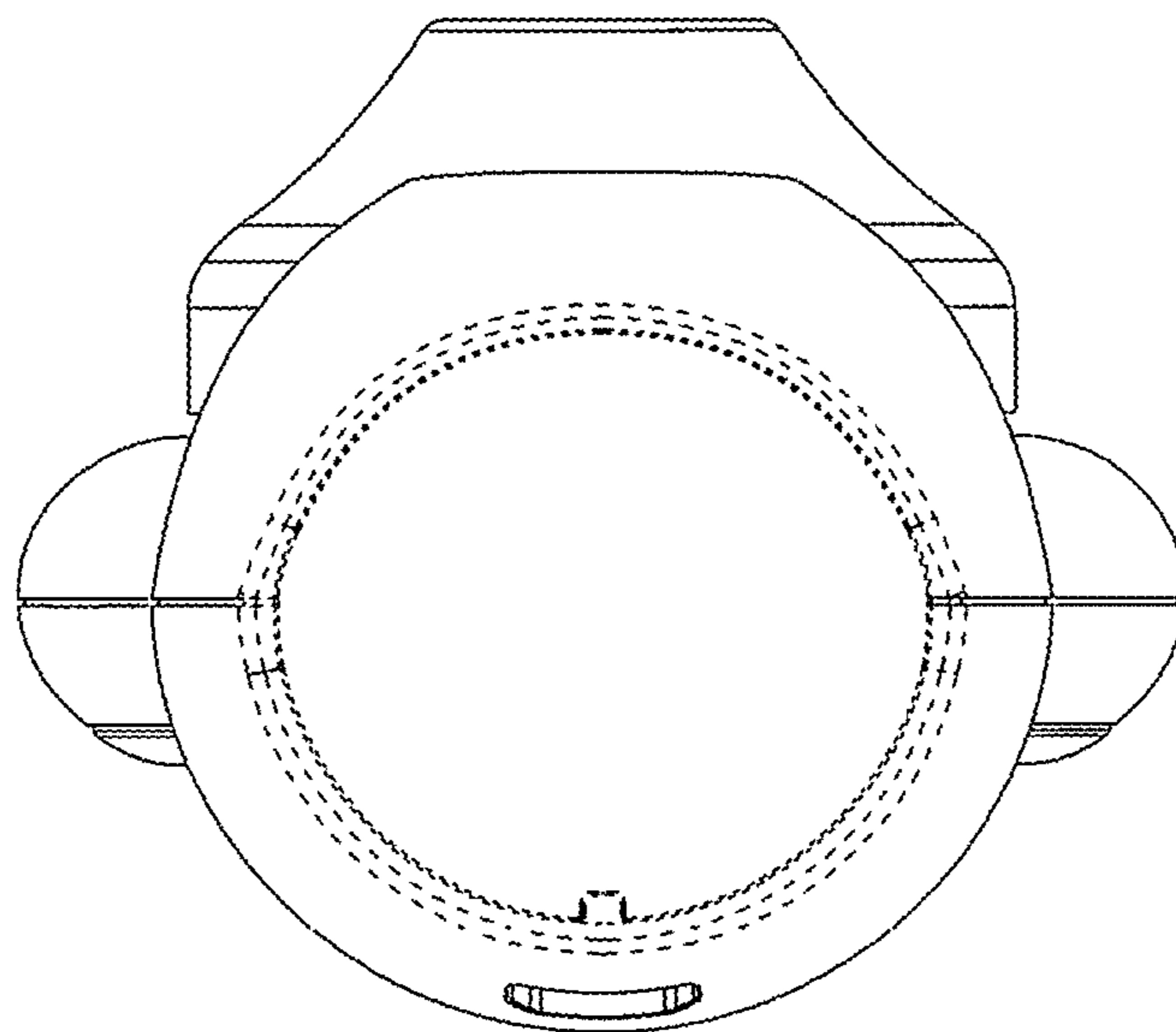


FIG. 6

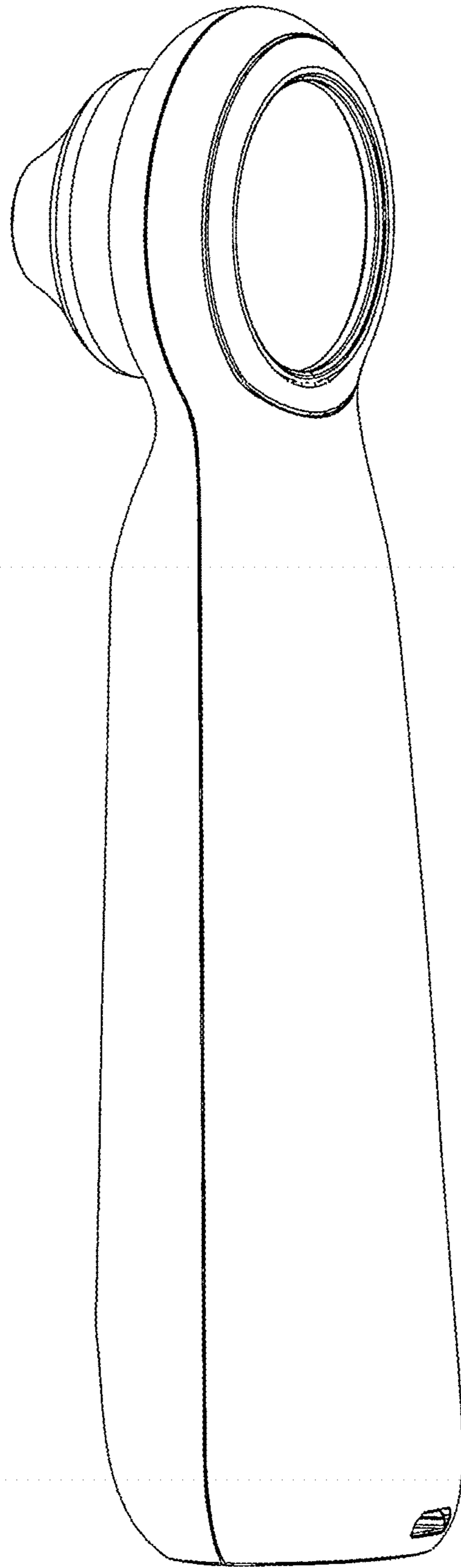


FIG. 7