



US00D950735S

(12) **United States Design Patent**
Cao et al.

(10) **Patent No.:** **US D950,735 S**
(45) **Date of Patent:** **** May 3, 2022**

(54) **ULTRASONIC SURGICAL INSTRUMENT**

FOREIGN PATENT DOCUMENTS

(71) Applicant: **SMTM MEDICAL CO., LTD.**, Beijing (CN)

CN 304025585 S 2/2017
EM 003515782-0002 12/2016

(Continued)

(72) Inventors: **Qun Cao**, Beijing (CN); **Songtao Zhan**, Beijing (CN); **Xiaoming Hu**, Beijing (CN); **Zhiling Dai**, Beijing (CN)

OTHER PUBLICATIONS

Thunderbeat Technology. Online, published date unknown. Retrieved on Sep. 3, 2021 from URL: <https://www.olympusprofed.com/gyn/stms-gyn/22073/>.*

(73) Assignee: **SMTM MEDICAL CO., LTD.**, Beijing (CN)

Primary Examiner — Omeed Agilee

(**) Term: **15 Years**

(74) *Attorney, Agent, or Firm* — Sterne, Kessler, Goldstein & Fox P.L.L.C.

(21) Appl. No.: **29/746,736**

(57) **CLAIM**

(22) Filed: **Aug. 17, 2020**

The ornamental design for an ultrasonic surgical instrument, as shown and described.

(30) **Foreign Application Priority Data**

DESCRIPTION

Feb. 18, 2020 (CN) 202030053723.4

(51) **LOC (13) Cl.** **24-02**

(52) **U.S. Cl.**
USPC **D24/187**

(58) **Field of Classification Search**
USPC D24/133, 137, 138, 141, 158, 160, 164, D24/165, 167, 170, 186, 187, 200, 144, D24/146; D10/57, 60, 78, 80
CPC ... A61B 5/0095; A61B 8/4444; A61B 8/4455; A61B 8/445; G01S 7/5208; G01N 29/265
See application file for complete search history.

FIG. 1 is a bottom perspective view of an ultrasonic surgical instrument showing the claimed design;
FIG. 2 is a front view thereof;
FIG. 3 is a rear view thereof;
FIG. 4 is a left side view thereof;
FIG. 5 is a right side view thereof;
FIG. 6 is a top view thereof;
FIG. 7 is a bottom view thereof;
FIG. 8 is an enlarged bottom perspective view of area 8 shown in FIG. 1;
FIG. 9 is an enlarged front view thereof;
FIG. 10 is an enlarged rear view thereof;
FIG. 11 is an enlarged left side view thereof;
FIG. 12 is an enlarged right side view thereof; and,
FIG. 13 is an enlarged bottom view thereof.
The dash broken lines in the figures depict portions of the ultrasonic surgical instrument that form no part of the claimed design. The dot dash broken lines depict the boundaries of the claim and form no part thereof.

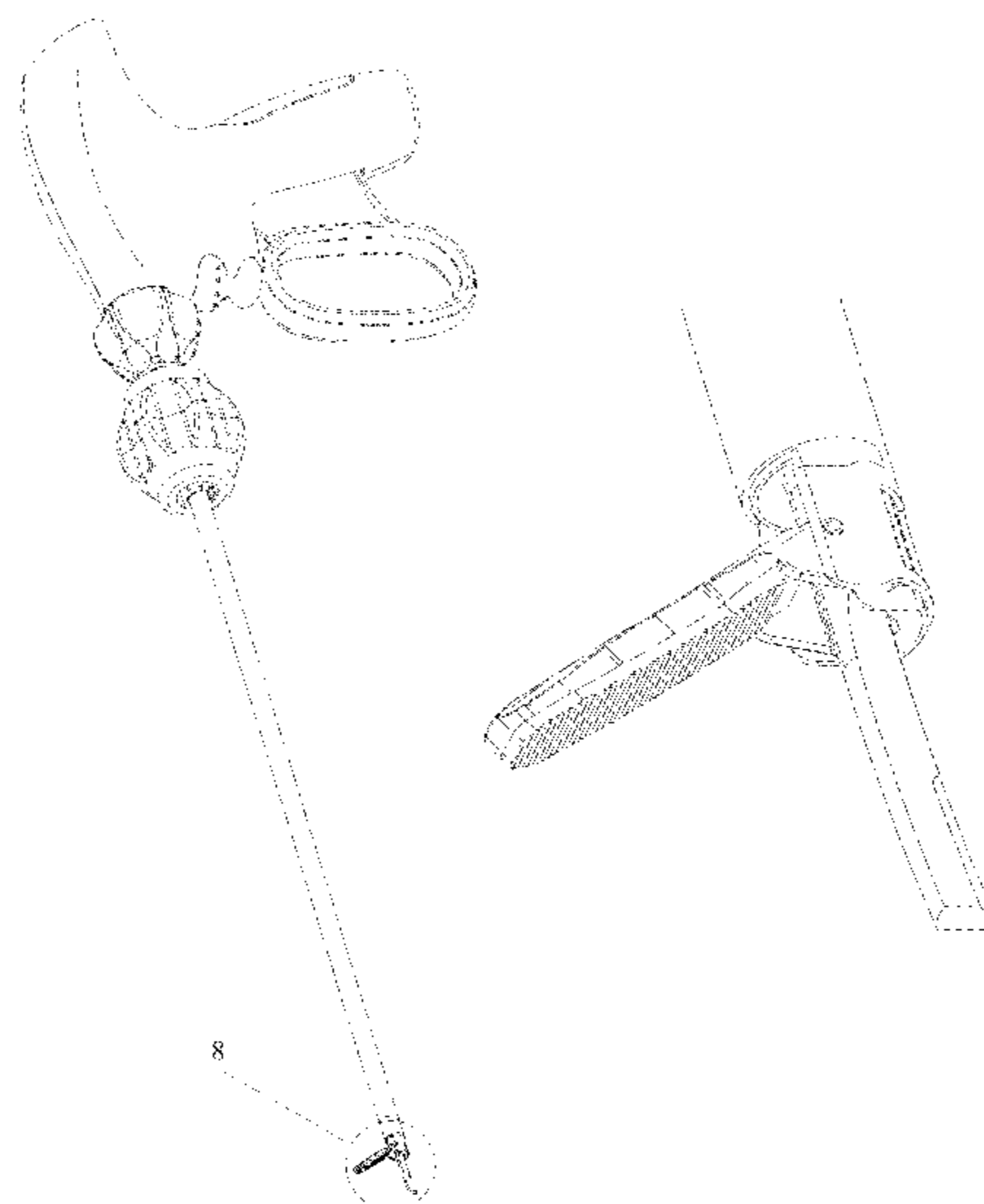
(56) **References Cited**

U.S. PATENT DOCUMENTS

D396,287 S * 7/1998 Morales D24/141
D496,997 S * 10/2004 Dycus D24/144
D620,593 S * 7/2010 Tran D24/144
D623,755 S * 9/2010 Ikegame D24/186
D668,337 S * 10/2012 Schurg D24/144
D812,224 S * 3/2018 McGrath D24/137

(Continued)

1 Claim, 12 Drawing Sheets



(56)

References Cited

U.S. PATENT DOCUMENTS

D844,138	S	3/2019	Soni et al.	
D868,249	S *	11/2019	Chen	D24/137
D895,112	S *	9/2020	Miller	D24/144
D906,521	S *	12/2020	Fujisaki	D24/146
D913,940	S *	3/2021	Ishii	D13/121
10,959,769	B2 *	3/2021	Mumaw	A61B 18/12
11,090,104	B2 *	8/2021	Wiener	A61B 18/1206
2012/0116261	A1 *	5/2012	Mumaw	A61B 46/10 601/2
2017/0143361	A1 *	5/2017	Boudreaux	A61B 17/295
2019/0247073	A1 *	8/2019	Cowley	A61B 17/320092
2021/0030435	A1 *	2/2021	Cao	A61B 17/144
2021/0251650	A1 *	8/2021	Cao	A61B 17/320068

FOREIGN PATENT DOCUMENTS

JP	1154982	S	10/2002
JP	1332706	S	6/2008
JP	1346673	S	12/2008
JP	1645445	S	11/2019
JP	1660086	S	5/2020
JP	1661842	S	6/2020
KR	30-0822963	S	11/2015

* cited by examiner

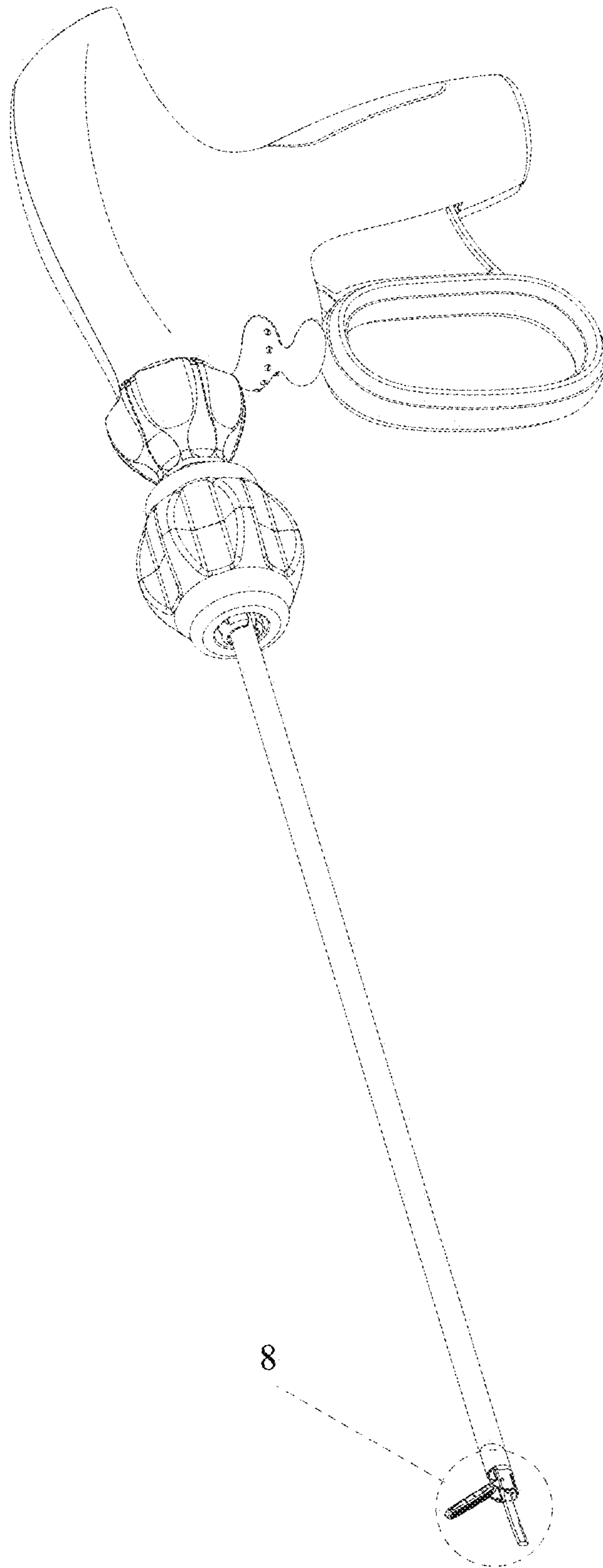


FIG. 1

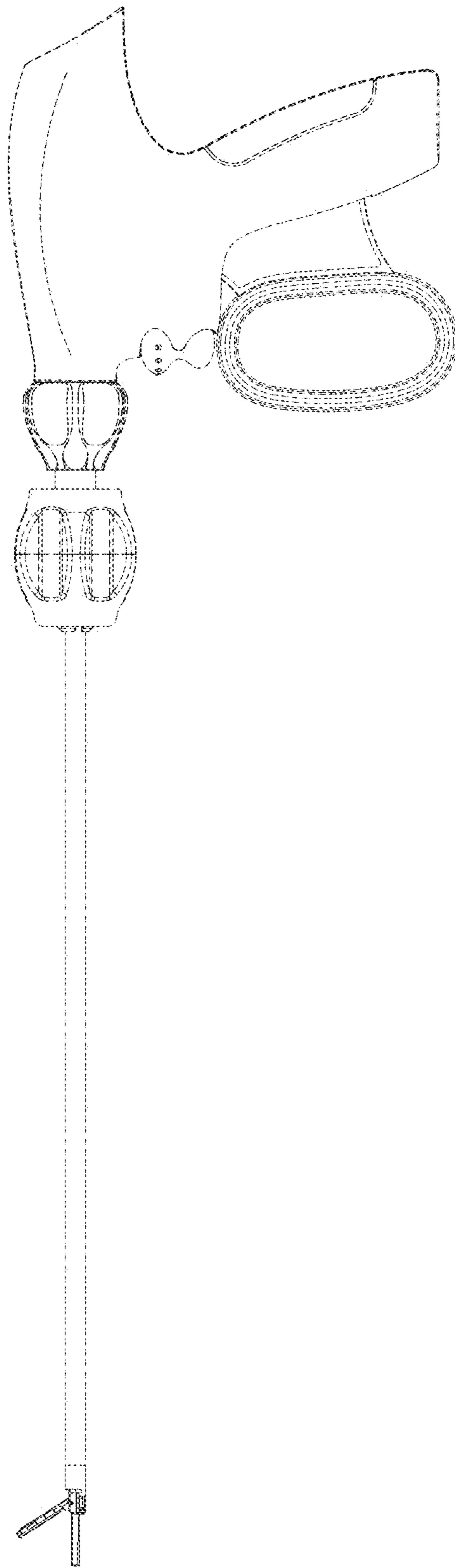


FIG. 2

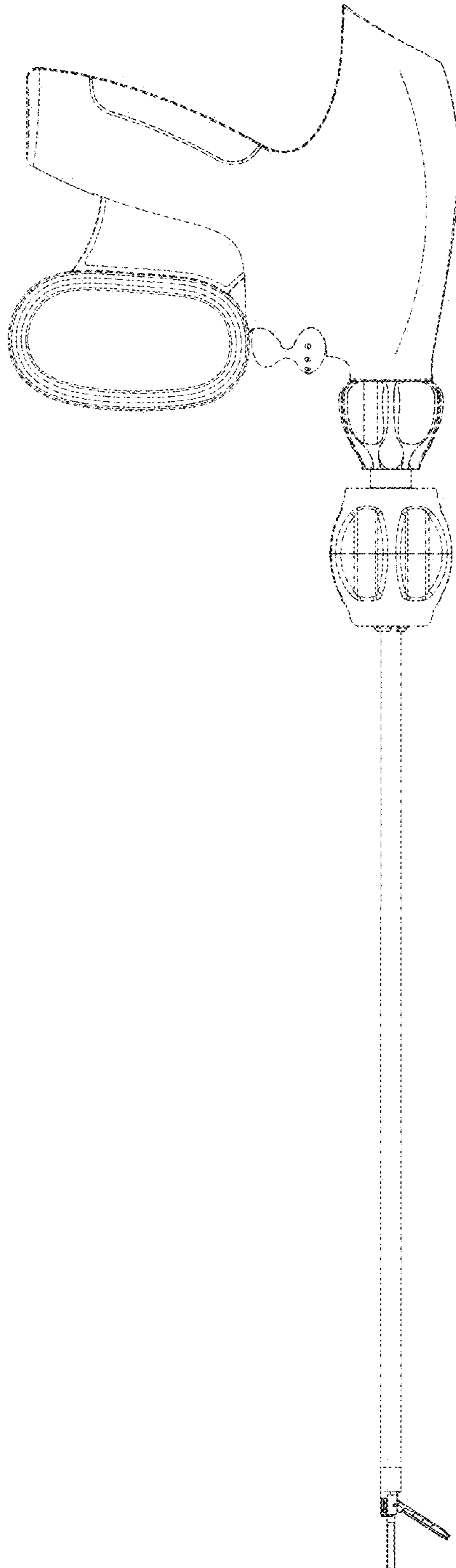


FIG. 3

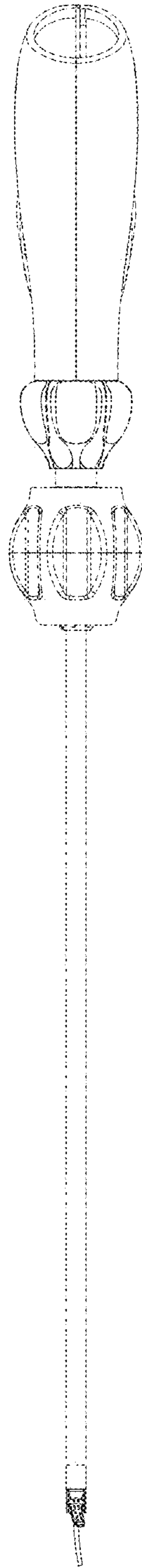


FIG. 4

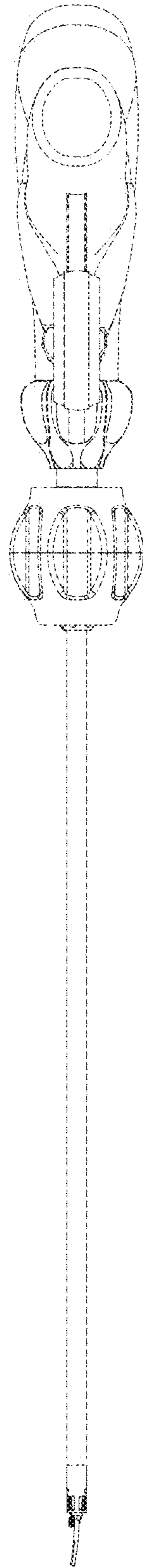


FIG. 5

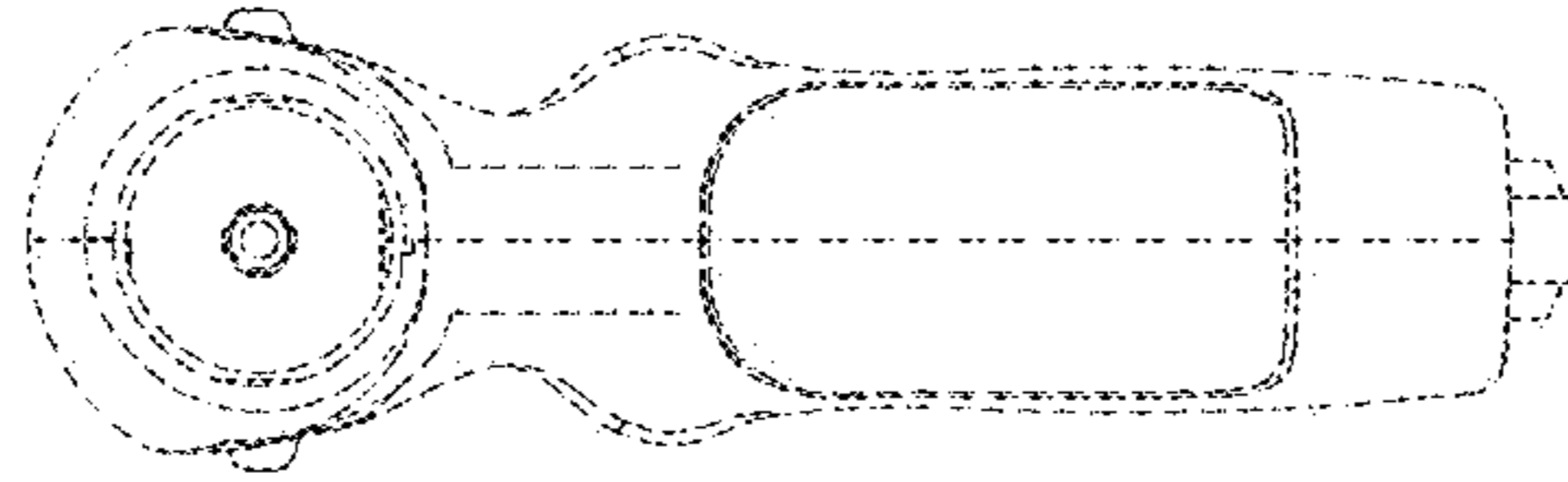


FIG. 6

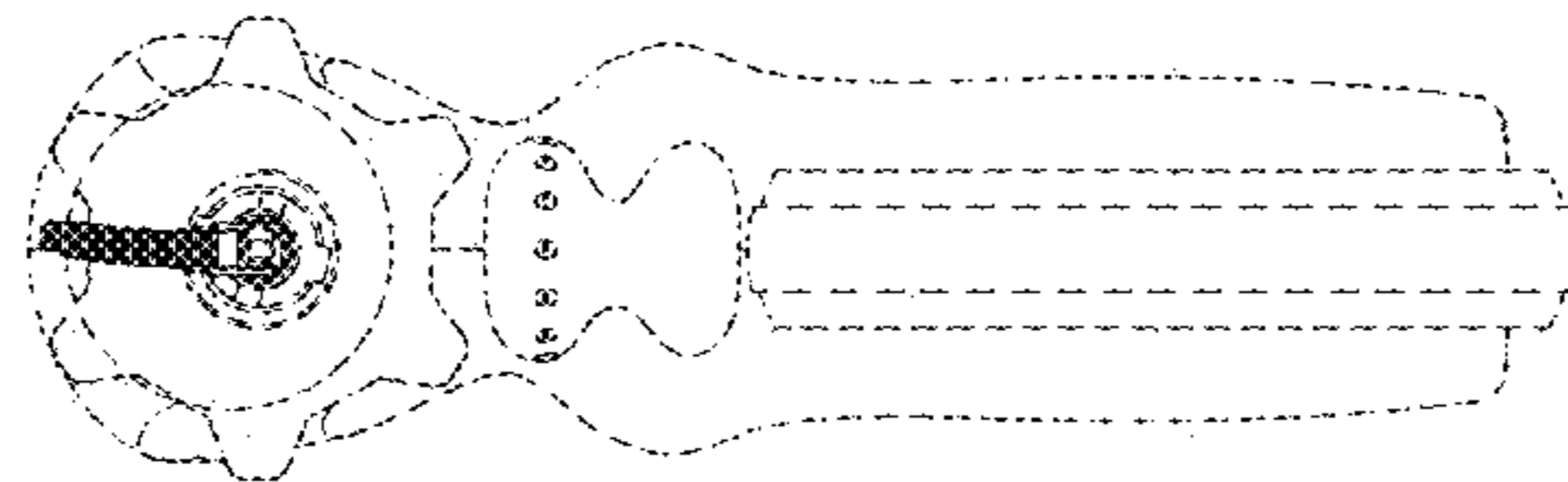


FIG. 7

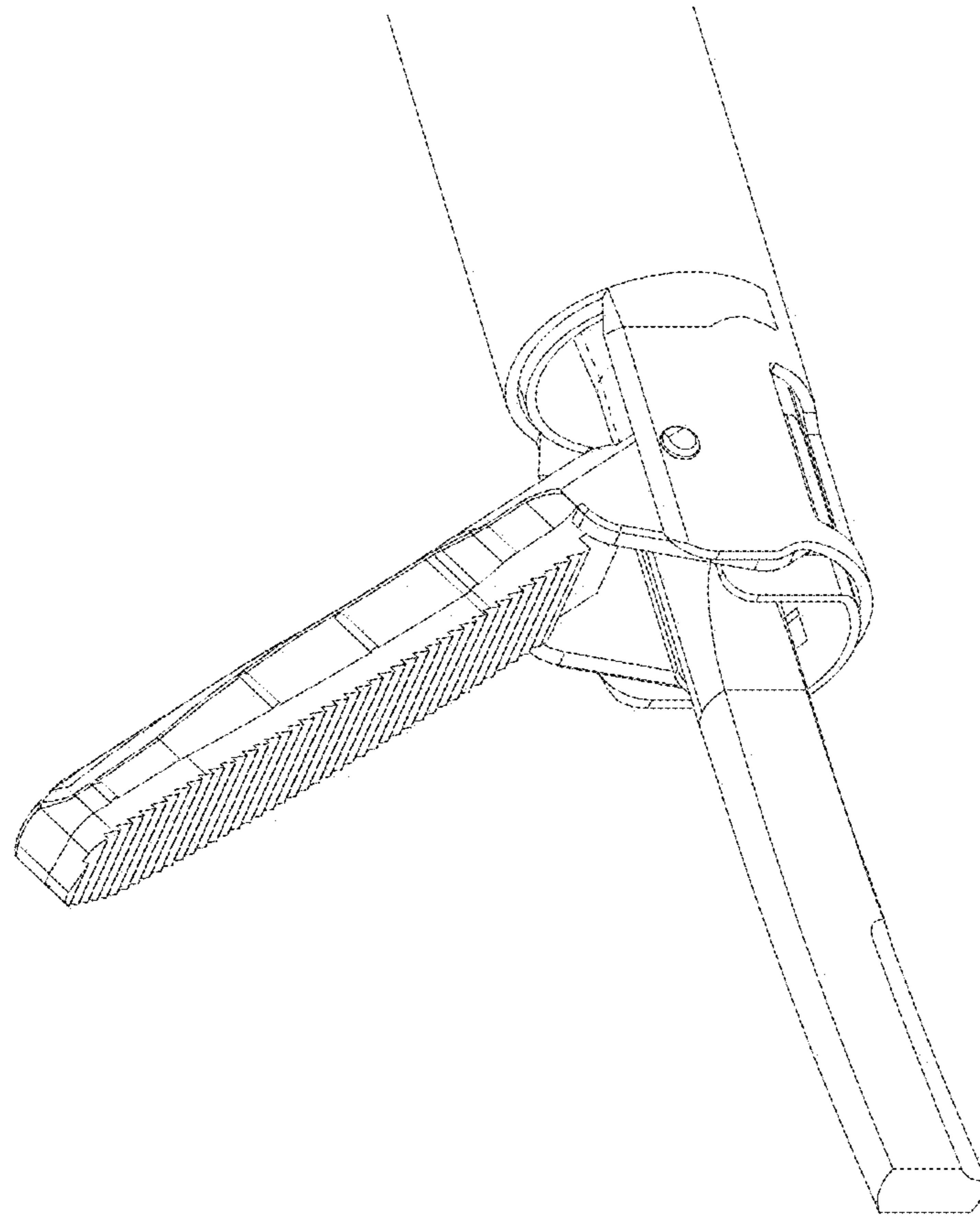


FIG. 8

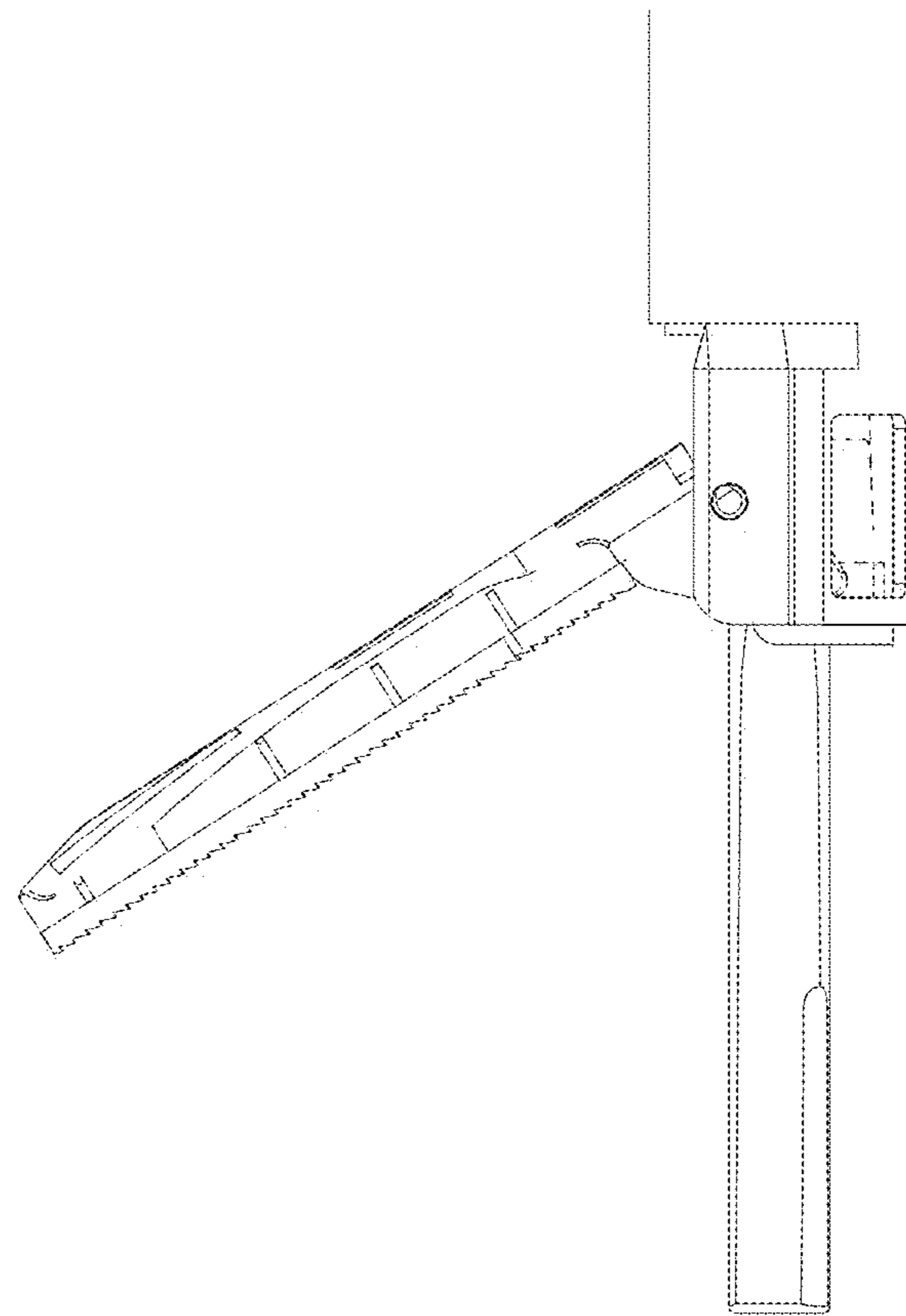


FIG. 9

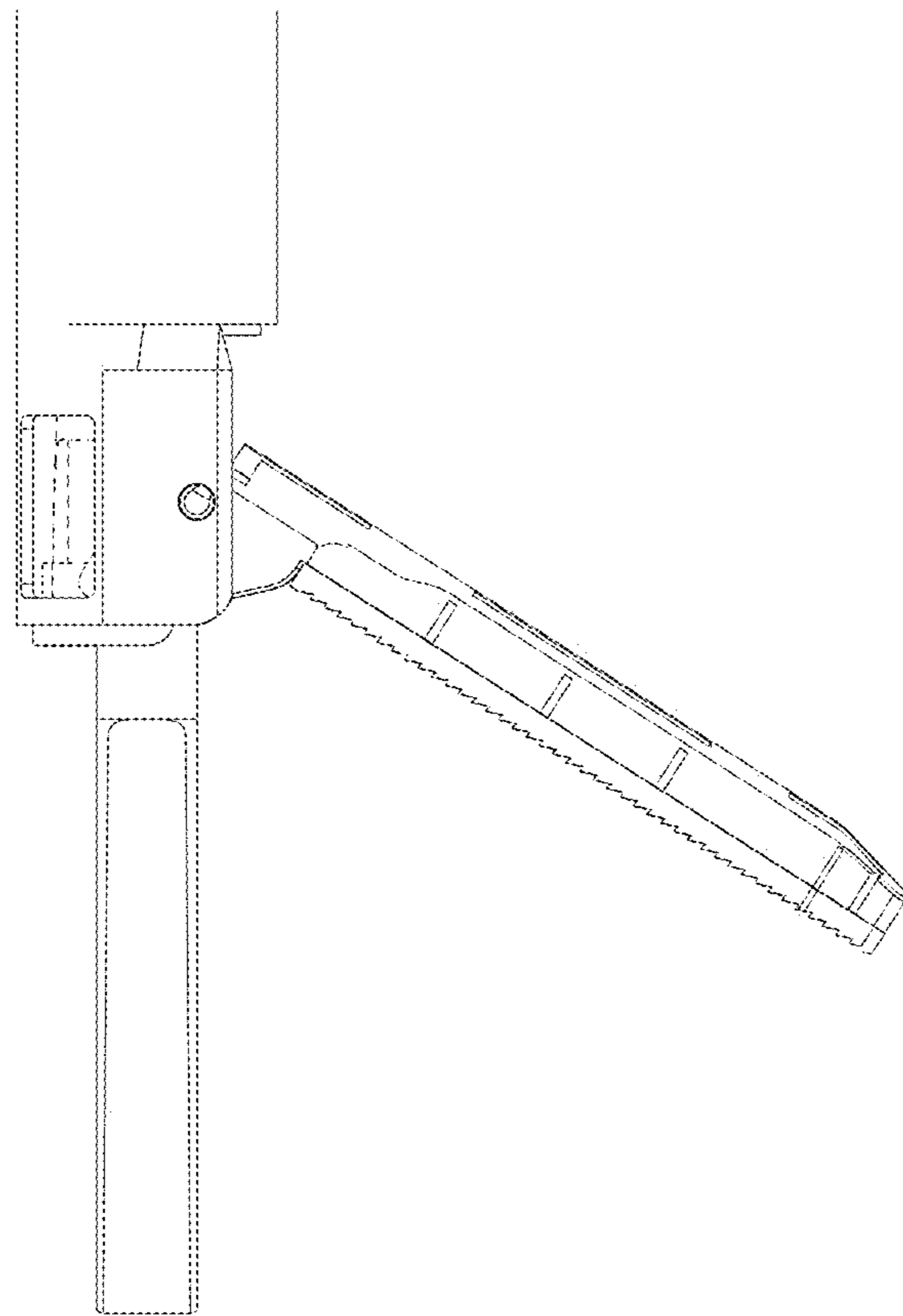


FIG. 10

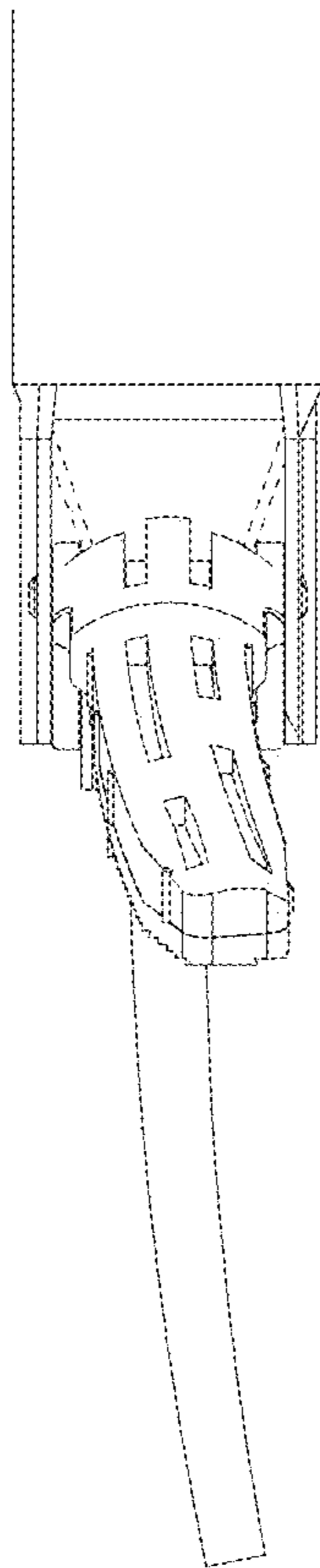


FIG. 11

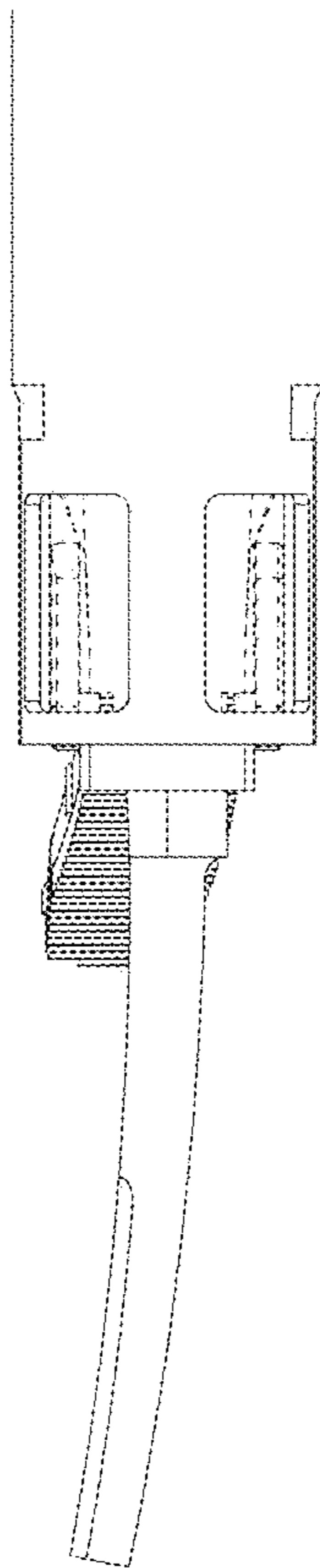


FIG. 12

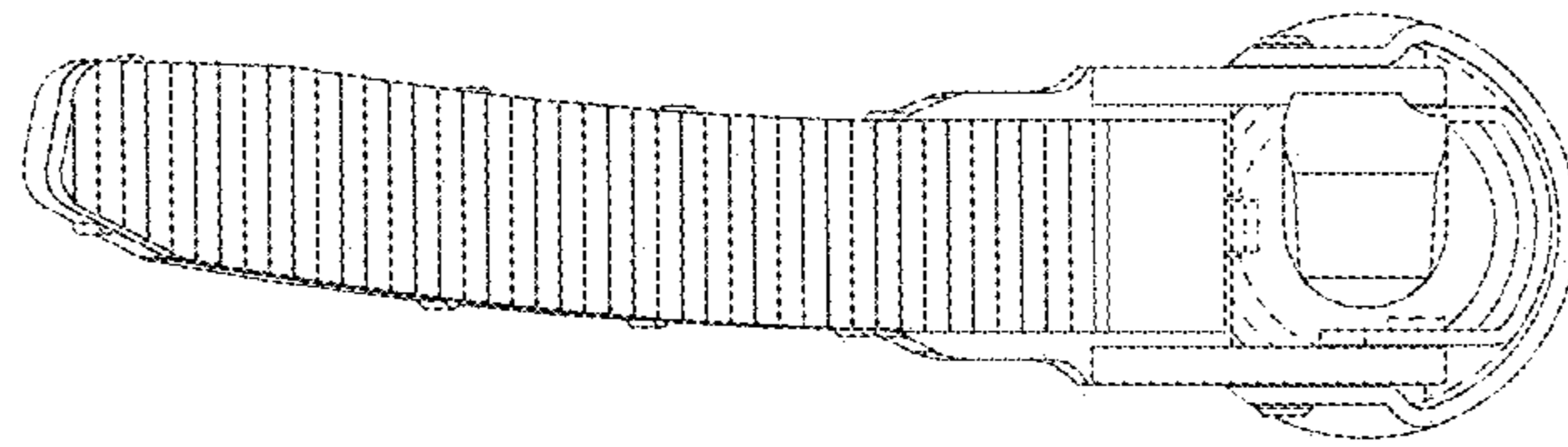


FIG. 13