



US00D950733S

(12) **United States Design Patent**
West et al.

(10) **Patent No.:** **US D950,733 S**
(45) **Date of Patent:** **** May 3, 2022**

(54) **STAND FOR AN OPTICAL IMAGING APPARATUS**

(71) Applicant: **Tesseract Health, Inc.**, Guilford, CT (US)
(72) Inventors: **Lawrence C. West**, San Jose, CA (US); **Maurizio Arienzo**, New York, NY (US); **Owen Kaye-Kauderer**, Brooklyn, NY (US); **Tyler S. Ralston**, Clinton, CT (US); **Benjamin Rosenbluth**, Hamden, CT (US); **Jonathan M. Rothberg**, Miami Beach, FL (US); **Jacob Coumans**, Old Lyme, CT (US); **Christopher Thomas McNulty**, Guilford, CT (US)

(73) Assignee: **Tesseract Health, Inc.**, Guilford, CT (US)

(**) Term: **15 Years**

(21) Appl. No.: **29/716,919**

(22) Filed: **Dec. 12, 2019**

(51) **LOC (13) Cl.** **24-02**

(52) **U.S. Cl.**
USPC **D24/172**

(58) **Field of Classification Search**

USPC D3/201, 203.1; D14/218, 240, 250, 252, D14/255, 302, 328, 372, 432, 447, 451, D14/452, 457, 465; D16/100, 101, 130, D16/131, 132, 133, 134, 135, 136, 137, D16/208, 214, 218, 219, 220, 221, 234, D16/237, 242, 243, 300, 330, 331, 334, D16/306, 309; D24/107, 133, 137, 138, D24/150, 158, 159, 160, 172, 183, 185, D24/186, 188, 216, 217, 218, 234; D29/112; D8/300, 301, 303, 306
CPC A61B 3/00; A61B 3/0008; A61B 3/0016; A61B 3/0033; A61B 3/0041; A61B 3/005; A61B 3/0058; A61B 3/0075; A61B 3/0091;

(Continued)

(56) **References Cited**

U.S. PATENT DOCUMENTS

D221,737 S * 9/1971 Rheinart E05B 1/0015
D8/306
D248,011 S * 5/1978 Szabo D8/306
(Continued)

OTHER PUBLICATIONS

Amazon, "Cell Phone Stand for Desk", first available Dec. 4, 2018. (<https://www.amazon.com/Portable-Adjustable-Universal-Multi-Angle-Kickstand/dp/B07L3RG1RL>) (Year: 2018).*
(Continued)

Primary Examiner — Lauren D McVey

Assistant Examiner — Justin A Johnson

(74) *Attorney, Agent, or Firm* — Wolf, Greenfield & Sacks, P.C.

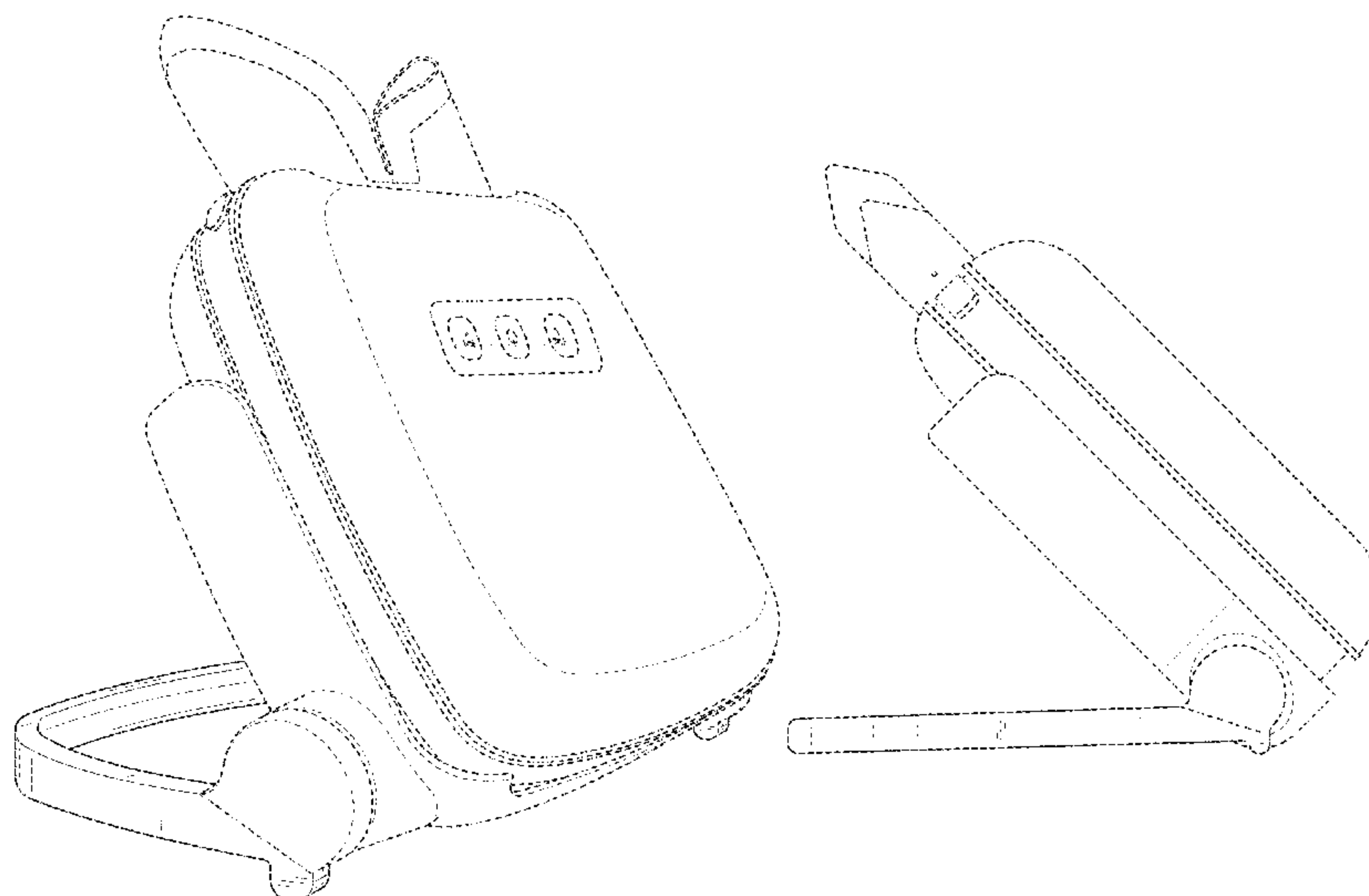
(57) **CLAIM**

The ornamental design for a stand for an optical imaging apparatus, as shown and described.

DESCRIPTION

FIG. 1 is a top, front, right perspective view of a stand for an optical imaging apparatus showing our new design; FIG. 2 is a front view thereof; FIG. 3 is a rear view thereof; FIG. 4 is a right side view thereof; FIG. 5 is a left side view thereof; FIG. 6 is a top view thereof; and, FIG. 7 is a bottom view thereof. The broken lines shown adjacent shaded regions depict boundaries of the stand for an optical imaging apparatus, all other broken lines depict environment of the stand for an optical imaging apparatus, and all broken lines shown form no part of the claimed design.

1 Claim, 7 Drawing Sheets



(58) **Field of Classification Search**

CPC A61B 3/02; A61B 3/10; A61B 3/1176;
 A61B 3/12; A61B 3/1208; A61B 3/13;
 A61B 3/132; A61B 3/14; A61B 3/18;
 A61B 2017/00017; A61F 9/00; A61F
 9/007; A63F 2300/8082; B24B 1/00;
 B24B 1/002; B24B 1/005; B24B 1/007;
 B24B 1/04; B24B 1/24; B24B 1/0025

See application file for complete search history.

D611,322	S *	3/2010	Robertson	B65D 25/32 D8/306
D777,822	S *	1/2017	Velazquez	D16/225
D857,781	S *	8/2019	Wang	D16/231
10,653,311	B1	5/2020	Pascal et al.	
D902,983	S *	11/2020	Yin	F16M 11/10 D16/231
2012/0085774	A1*	4/2012	Luburic	B65D 25/32 220/754
2021/0127969	A1	5/2021	Oggenfuss et al.	

(56)

References Cited

U.S. PATENT DOCUMENTS

D283,977	S *	5/1986	Kunzler	D8/301
D384,266	S *	9/1997	Mantarakis	D8/301
5,816,439	A *	10/1998	Lovell	B65D 25/32 220/760
6,170,695	B1 *	1/2001	Gabel	F16M 11/10 220/756
D516,406	S *	3/2006	Brammer, Jr.	E05B 1/0015 D8/300
D524,115	S *	7/2006	Meyer	B65D 25/32 D7/604

OTHER PUBLICATIONS

Igloo Coolers, "Carry Handle For Ice Cube 14-Can Coolers", first available 2018. (<https://www.igloocoolers.com/products/21021-carry-handle-for-ice-cube-14-can-coolers-white>) (Year: 2018).*

Youtube, "Tesseract Health", first available Nov. 16, 2020. (<https://www.youtube.com/watch?v=hKgBBIs1rFU>) (Year: 2020).*

Tobii Dynavox, "Indi Mount Plate, Kickstand and Handle", first accessed Apr. 16, 2021. (<https://ca.tobiidynavox.com/products/indi-mount-plate-kickstand-and-handle>) (Year: 2021).*

* cited by examiner

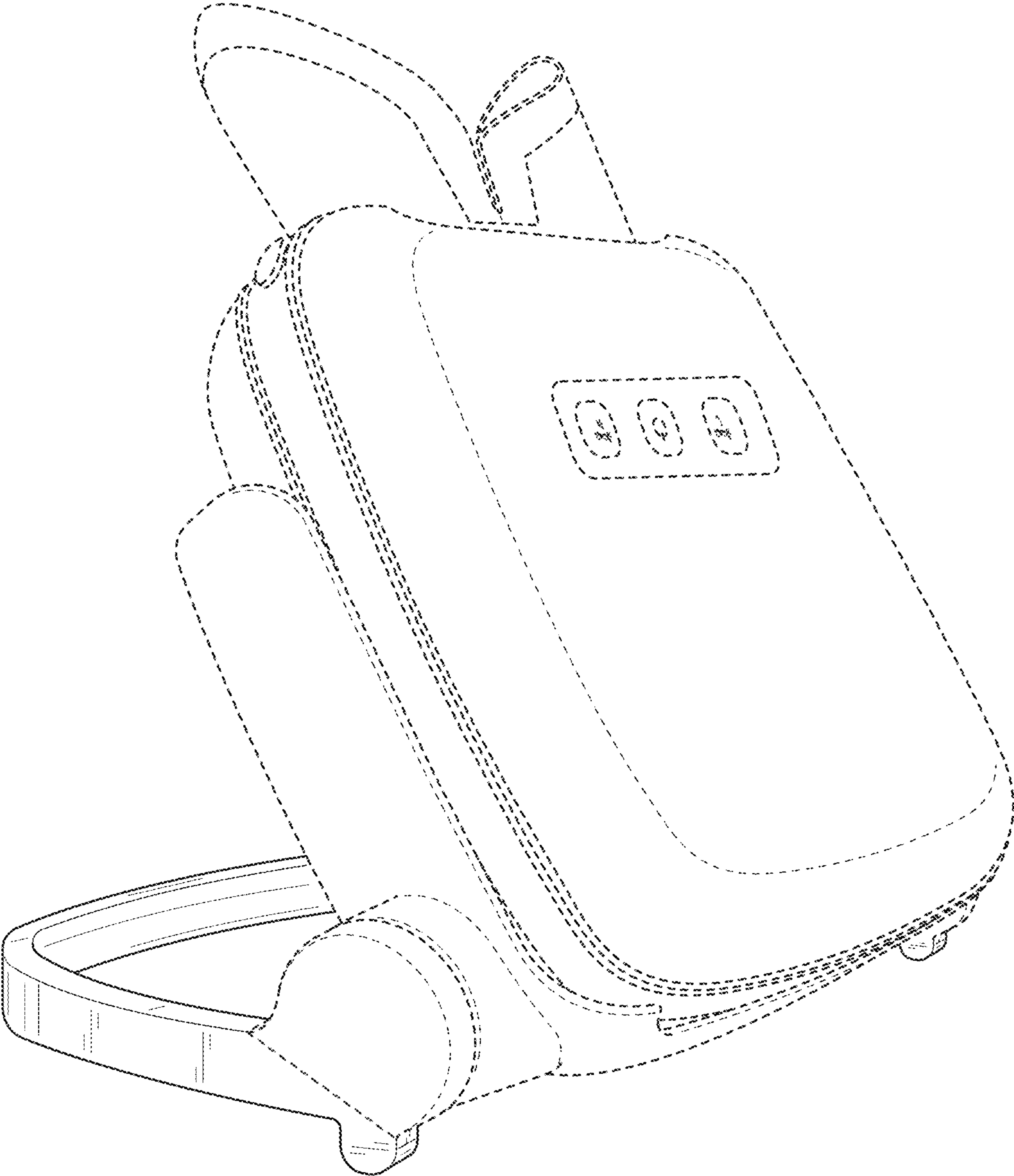


FIG. 1

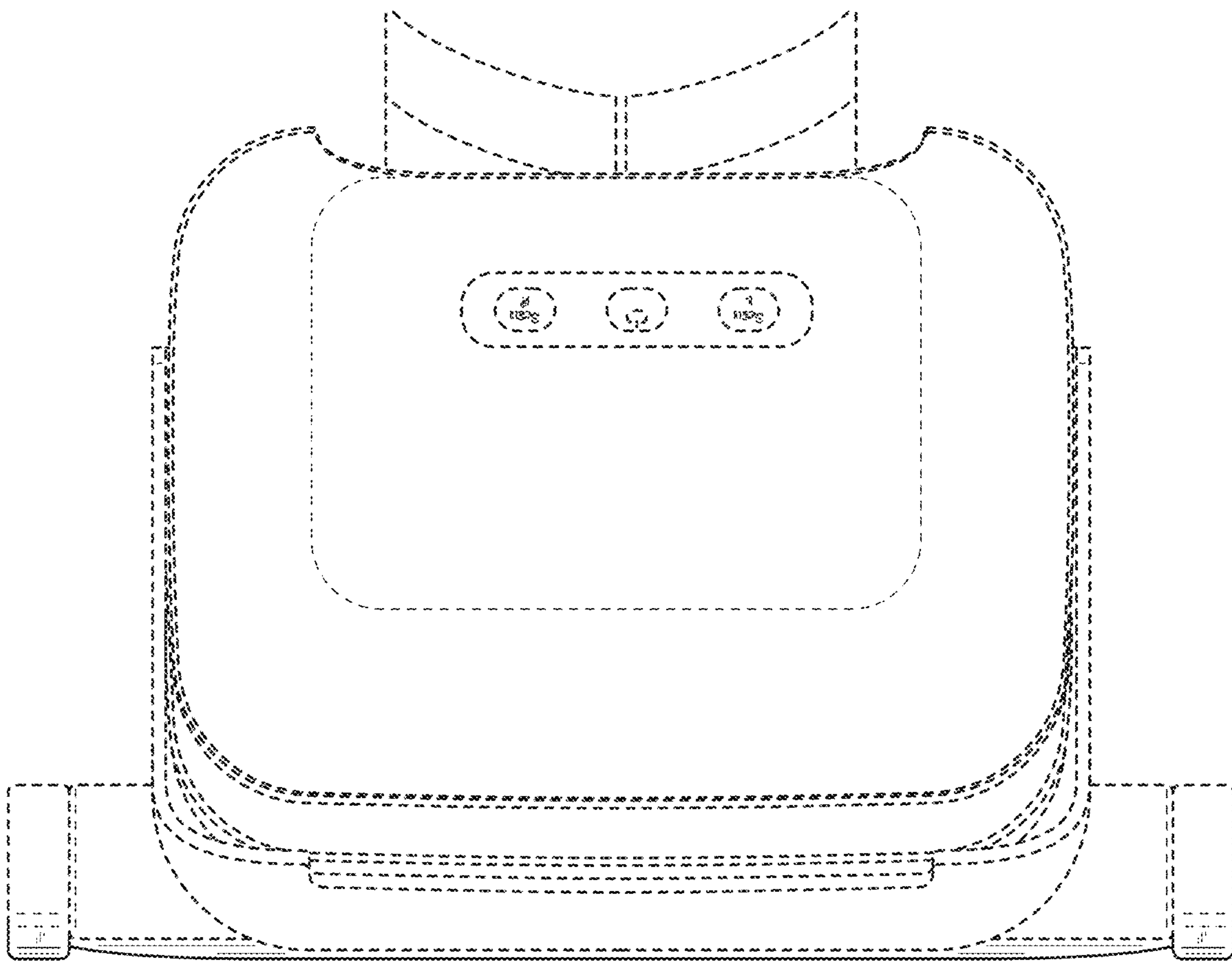


FIG. 2

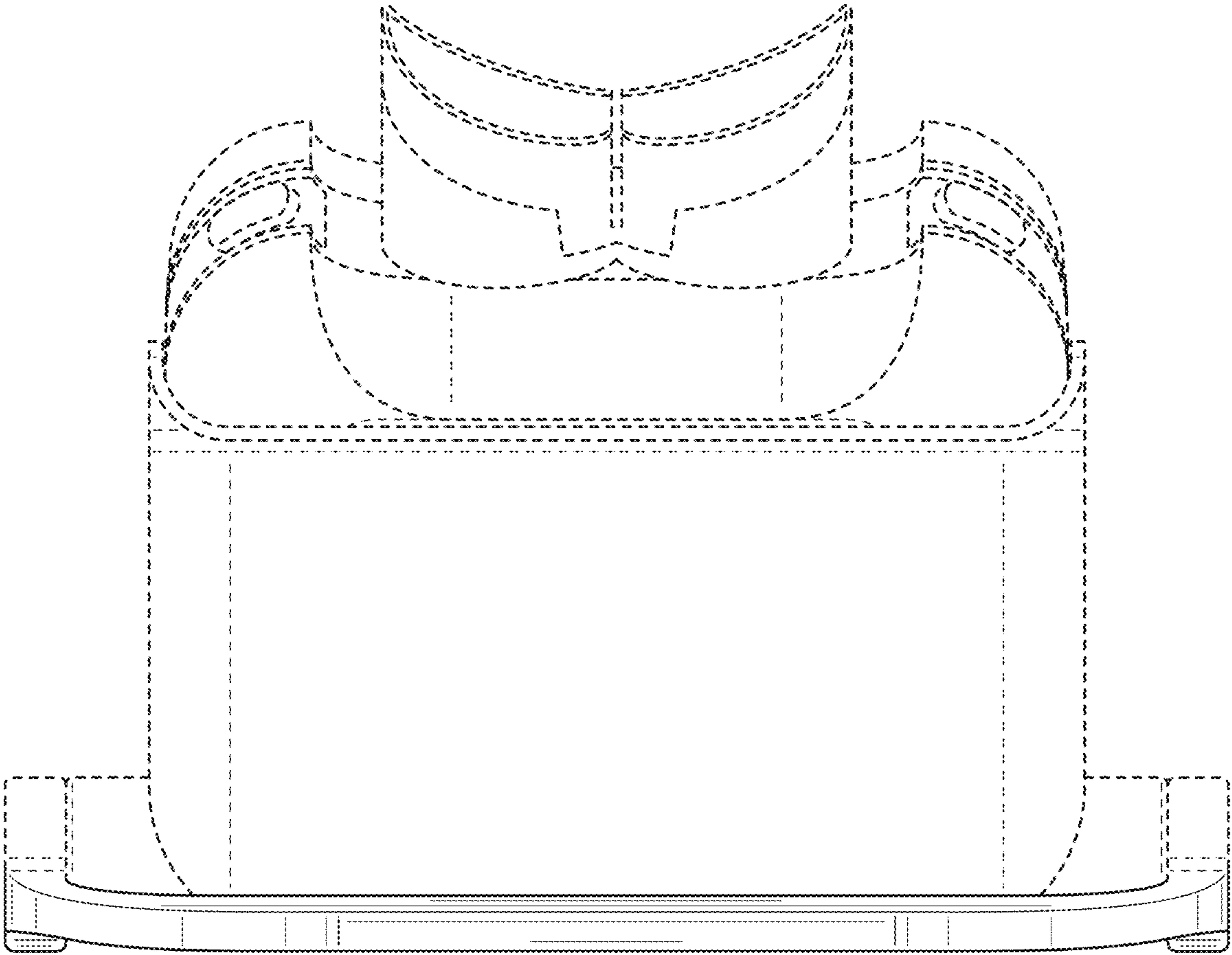


FIG. 3

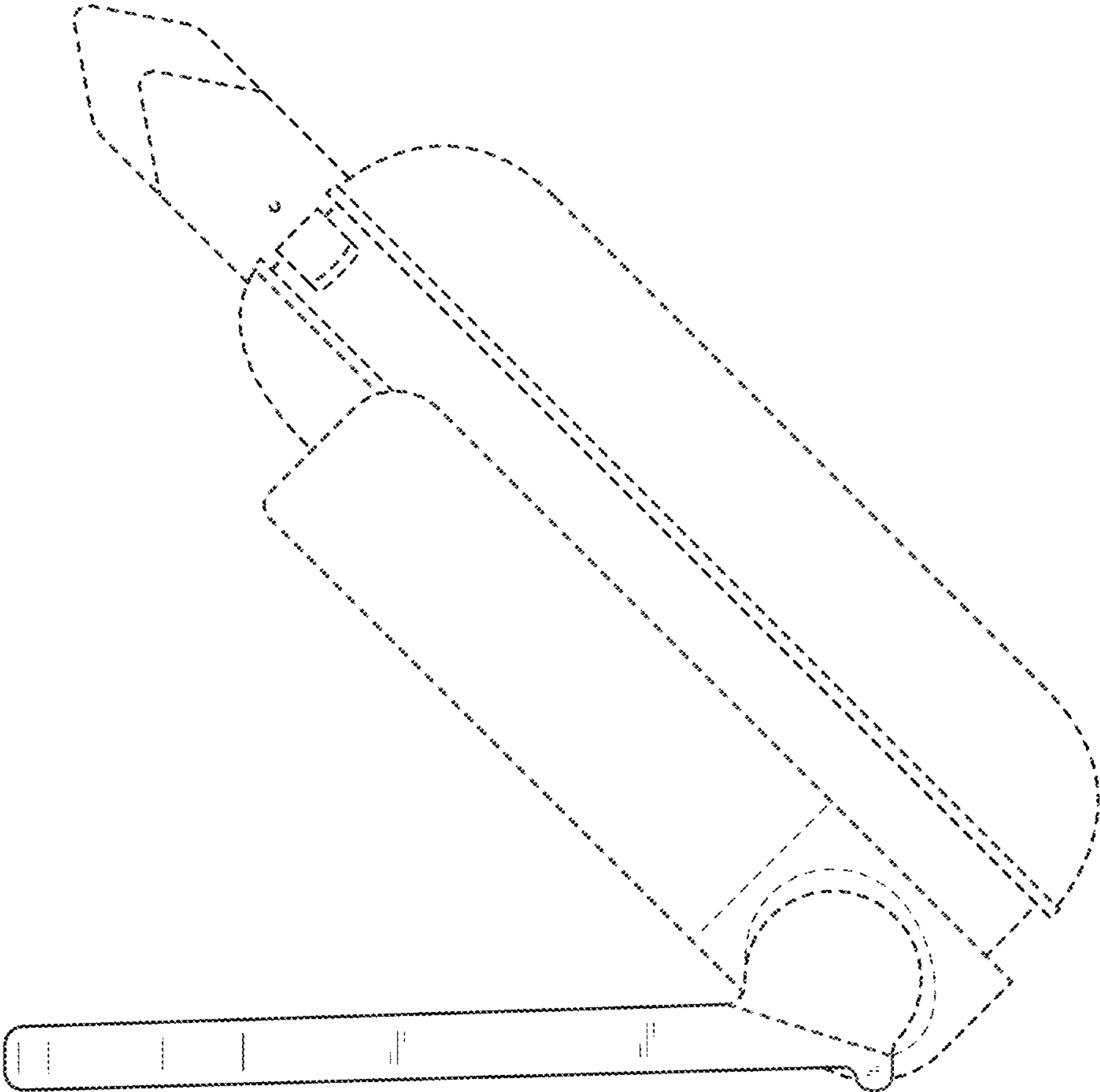


FIG. 4

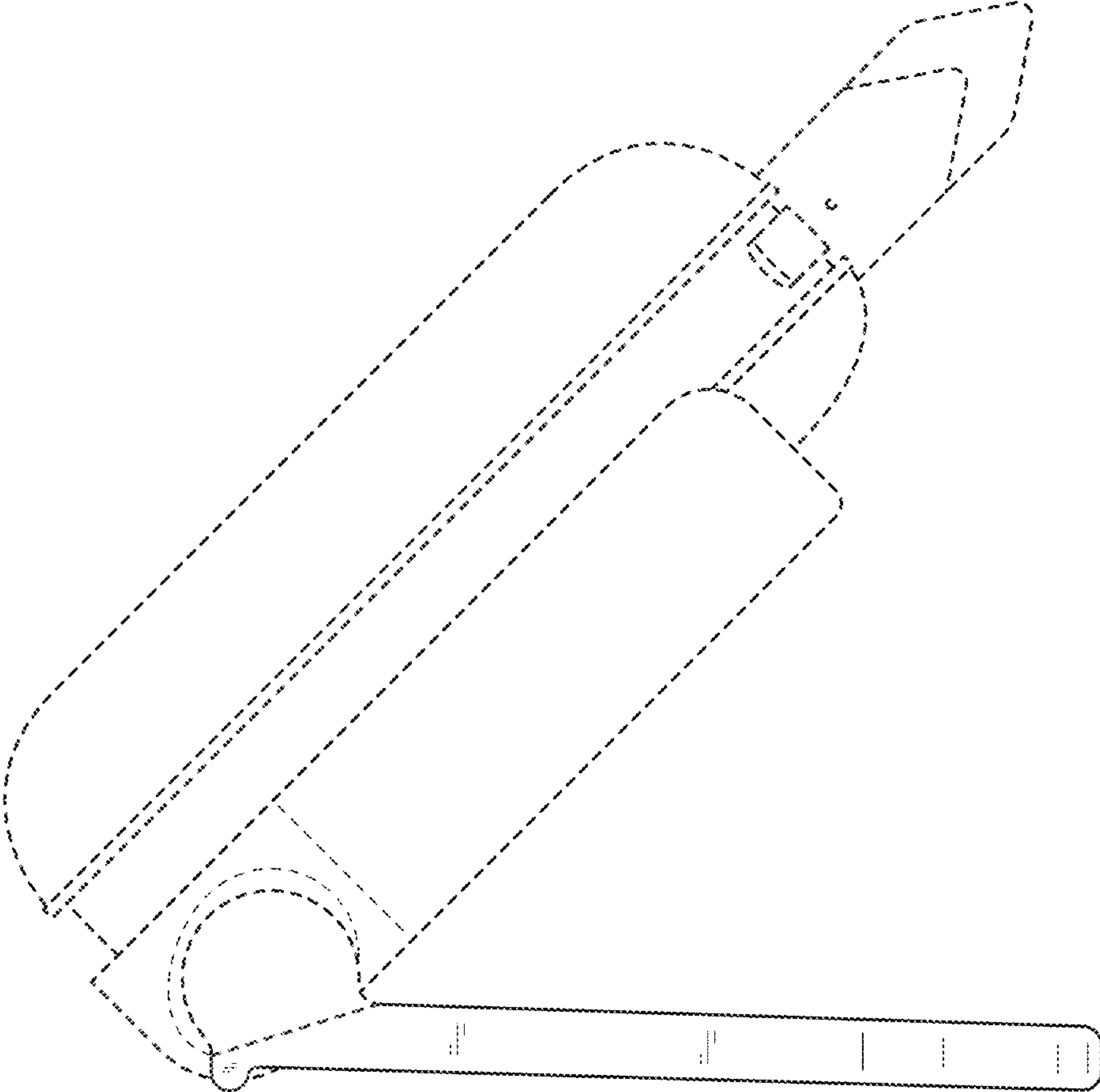


FIG. 5

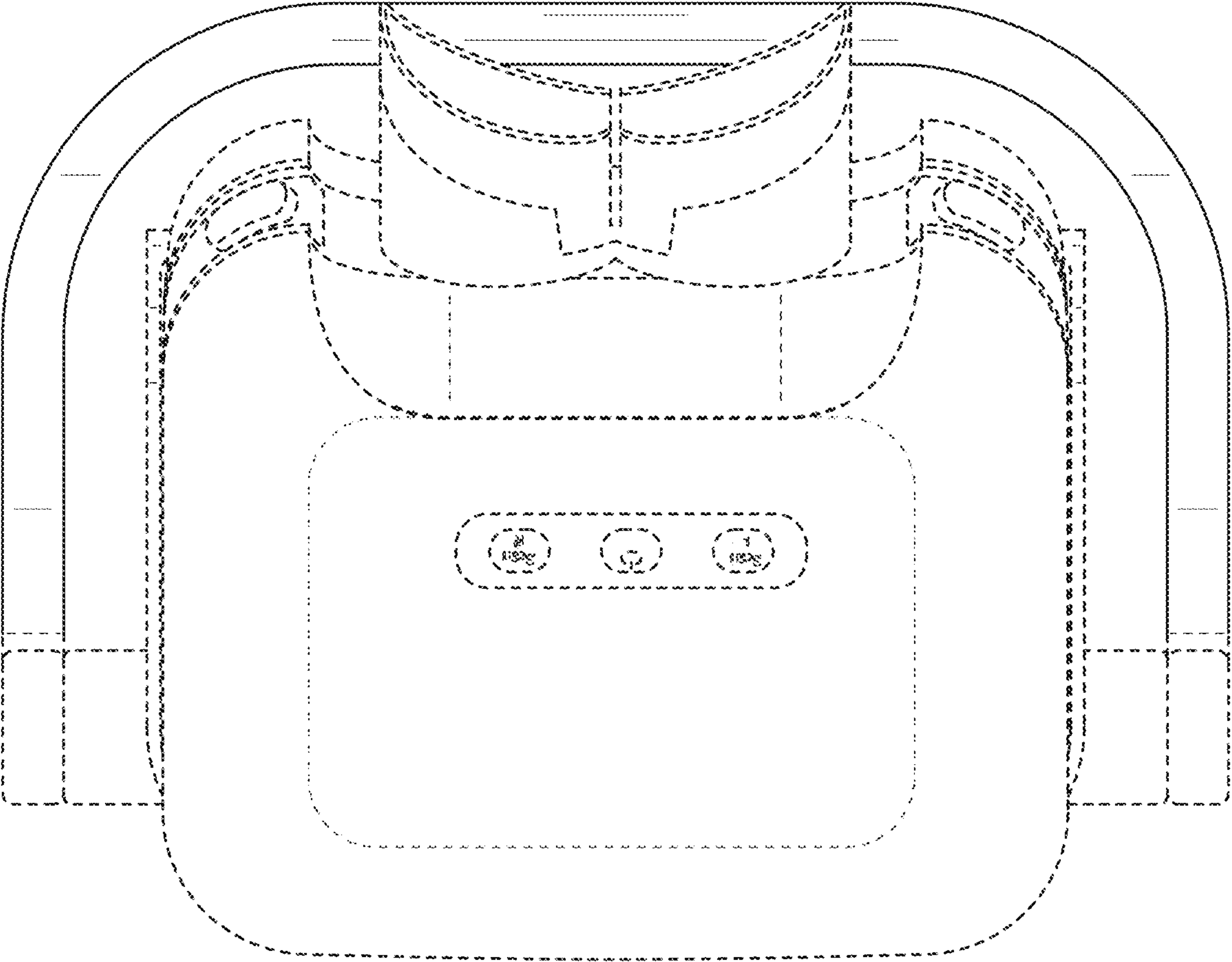


FIG. 6

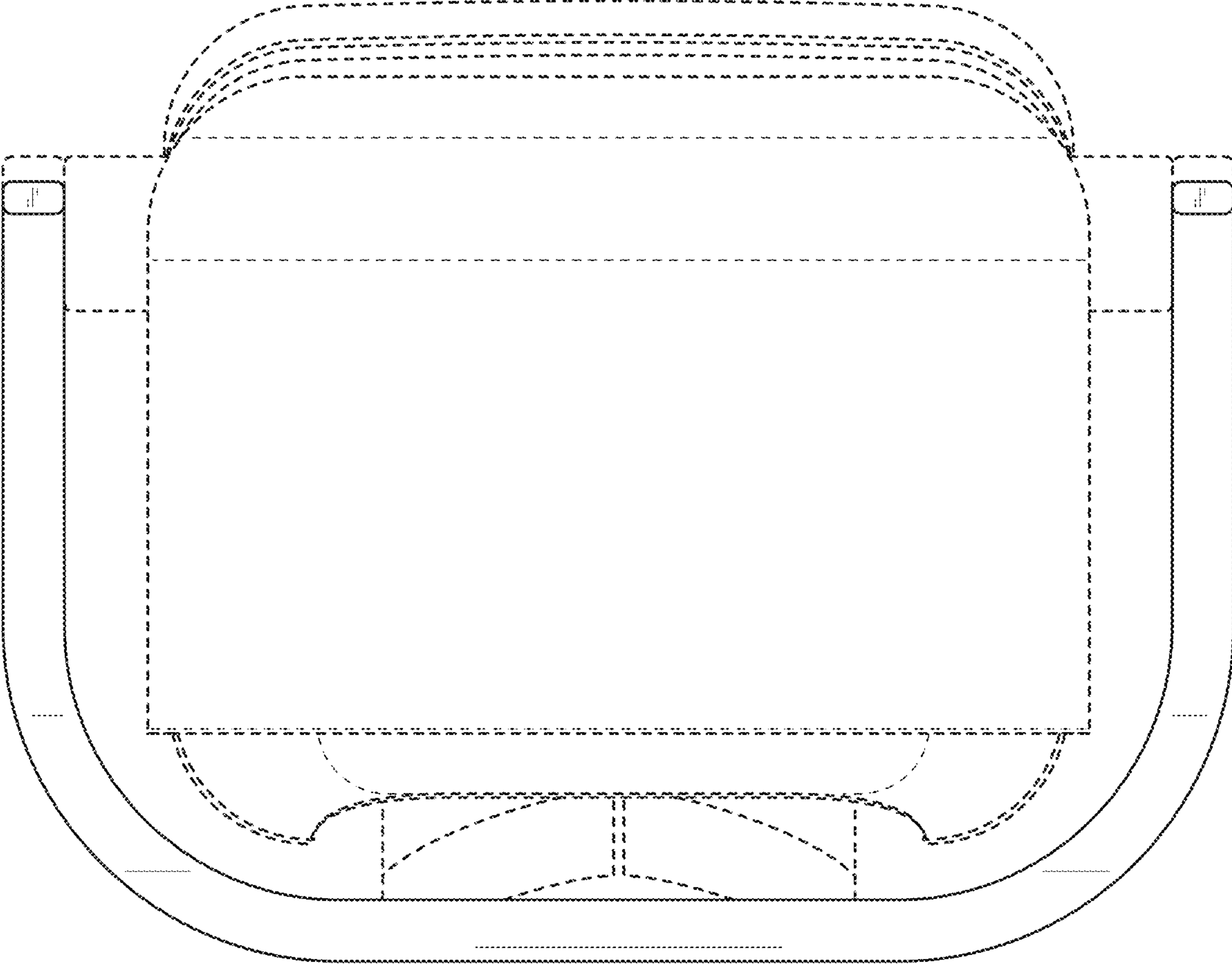


FIG. 7