



US00D950731S

(12) **United States Design Patent**  
**Wu et al.**

(10) **Patent No.:** **US D950,731 S**  
(45) **Date of Patent:** **\*\* May 3, 2022**

(54) **IMPLANTABLE ELECTRICAL STIMULATOR**

(71) Applicant: **GiMer Medical Co., Ltd.**, New Taipei (TW)

(72) Inventors: **Chen-Tun Wu**, New Taipei (TW);  
**Chan-Yi Cheng**, New Taipei (TW);  
**Jian-Hao Pan**, New Taipei (TW)

(73) Assignee: **GIMER MEDICAL CO., LTD.**, New Taipei (TW)

(\*\*) Term: **15 Years**

(21) Appl. No.: **29/753,515**

(22) Filed: **Sep. 30, 2020**

(51) **LOC (13) Cl.** ..... **24-03**

(52) **U.S. Cl.**  
USPC ..... **D24/155; D24/200**

(58) **Field of Classification Search**  
USPC ..... D24/155, 200  
CPC .. A61N 1/3627; A61N 1/3962; A61N 1/3622;  
A61N 1/3956; A61N 1/368; A61N 1/39;  
A61N 1/3684; A61N 1/36114; A61N  
1/37427; A61N 1/056; A61N 1/362;  
A61N 1/3968; G06F 19/3406  
See application file for complete search history.

(56) **References Cited**

**U.S. PATENT DOCUMENTS**

D337,820 S \* 7/1993 Hooper ..... D24/155  
D350,206 S \* 8/1994 Mochida ..... D24/200  
D523,557 S \* 6/2006 Jones ..... D24/155  
D862,716 S \* 10/2019 Cryan ..... D24/200  
D893,729 S \* 8/2020 Joda ..... D24/167

D893,736 S \* 8/2020 Yin ..... D24/200  
D899,610 S \* 10/2020 Yang ..... D24/200  
D907,222 S \* 1/2021 Xu ..... D24/200  
D908,901 S \* 1/2021 Chen ..... D24/200  
D923,803 S \* 6/2021 Ito ..... D24/200  
2014/0043739 A1\* 2/2014 Deininger ..... H01R 4/029  
361/679.01  
2014/0344740 A1\* 11/2014 Kaula ..... G16H 40/63  
715/771

\* cited by examiner

*Primary Examiner* — Charles D Hanson

(74) *Attorney, Agent, or Firm* — Muncy, Geissler, Olds & Lowe, P.C.

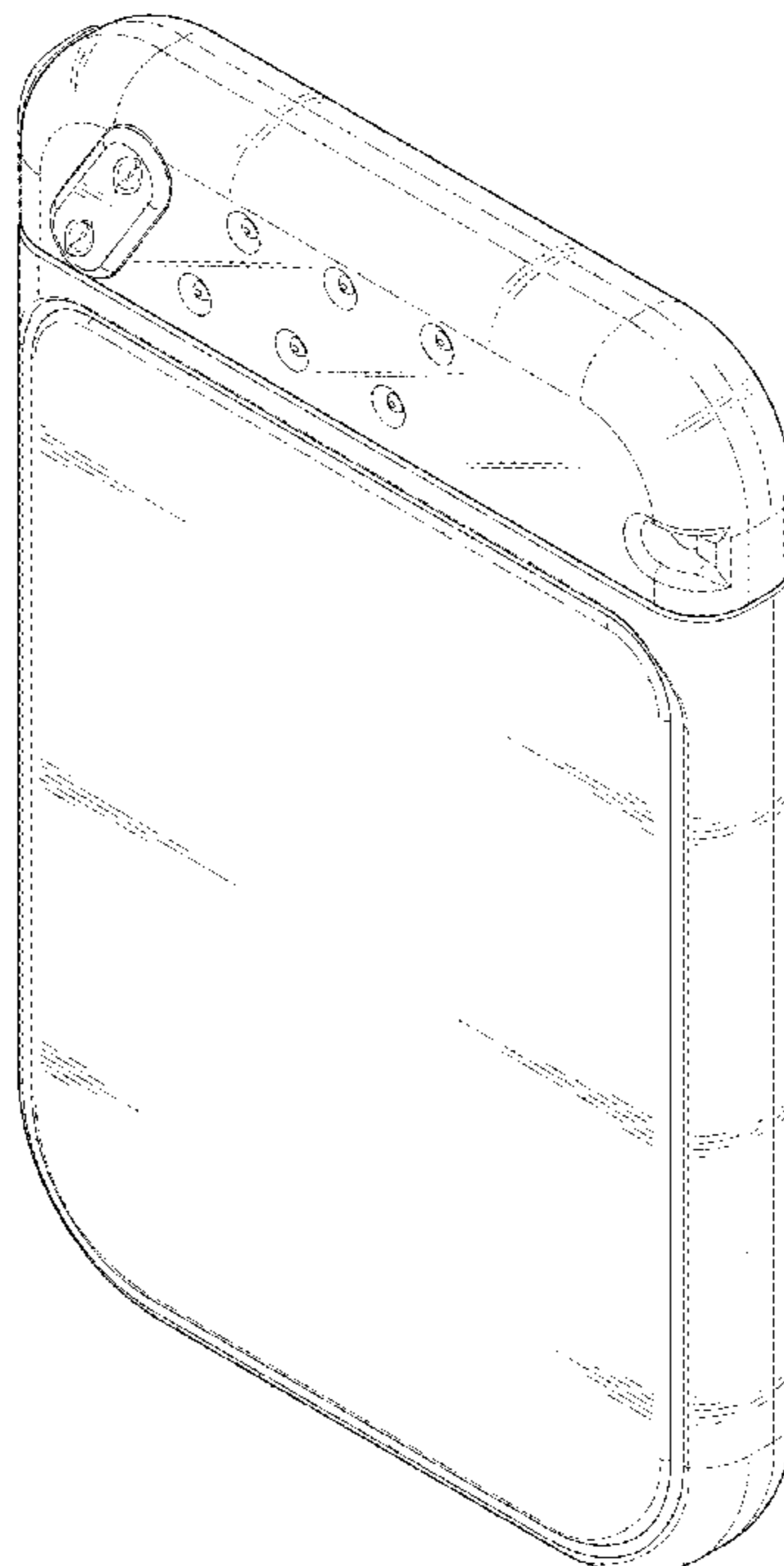
(57) **CLAIM**

The ornamental design for implantable electrical stimulator which is a medical device and cooperates with the leads, as shown and described.

**DESCRIPTION**

FIG. 1 is a front perspective view according to our new design;  
FIG. 2 is a rear perspective view thereof;  
FIG. 3 is a front view thereof;  
FIG. 4 is a rear view thereof;  
FIG. 5 is a left side view thereof;  
FIG. 6 is a right side view thereof;  
FIG. 7 is a top view thereof;  
FIG. 8 is a bottom view thereof; and,  
FIG. 9 is a rear perspective view thereof, shown in a position of use and connected with two leads.  
The broken line portion of the figure drawings is included to show unclaimed subject matter only and forms no part of the claimed design.

**1 Claim, 7 Drawing Sheets**



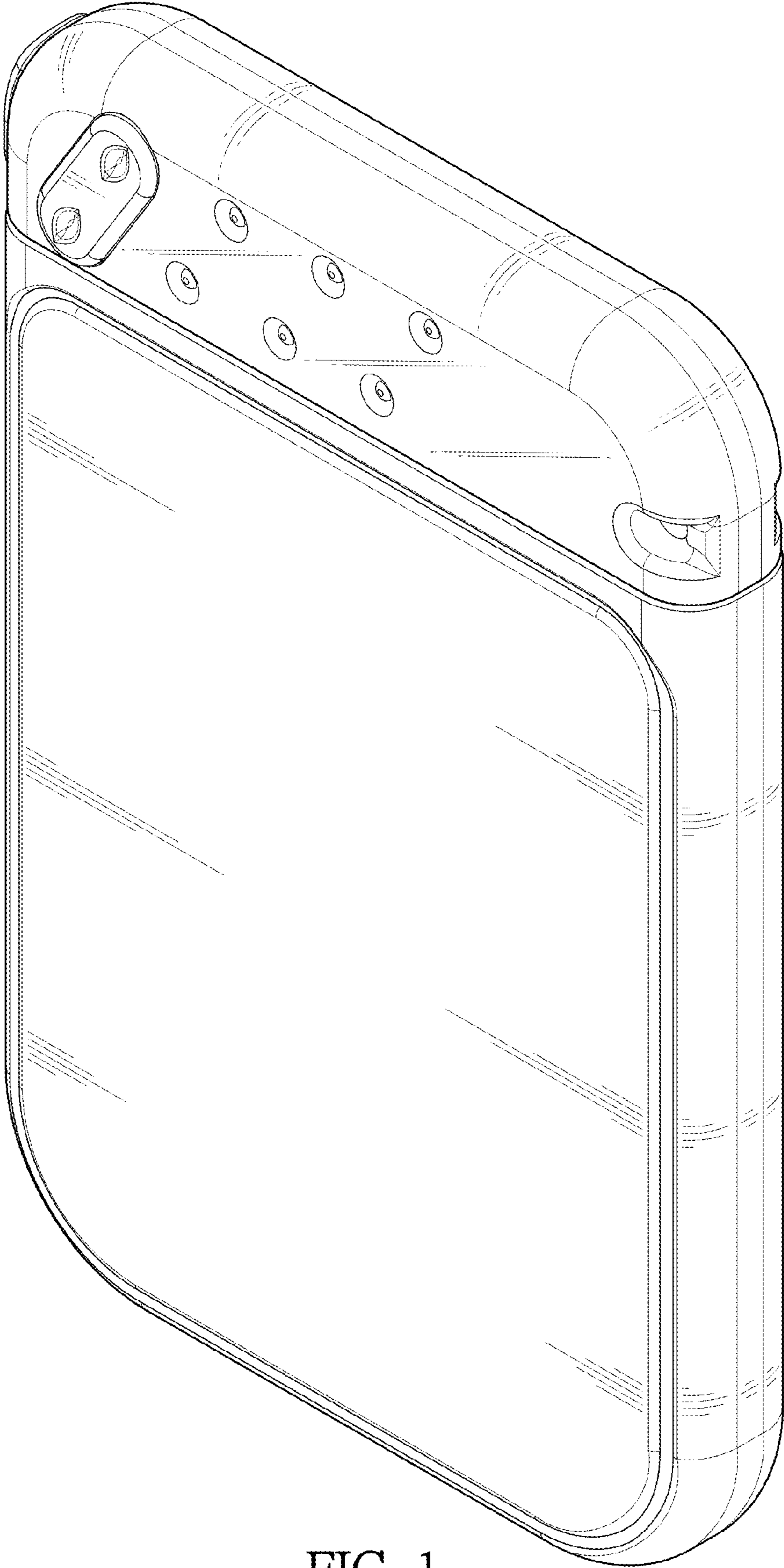


FIG. 1

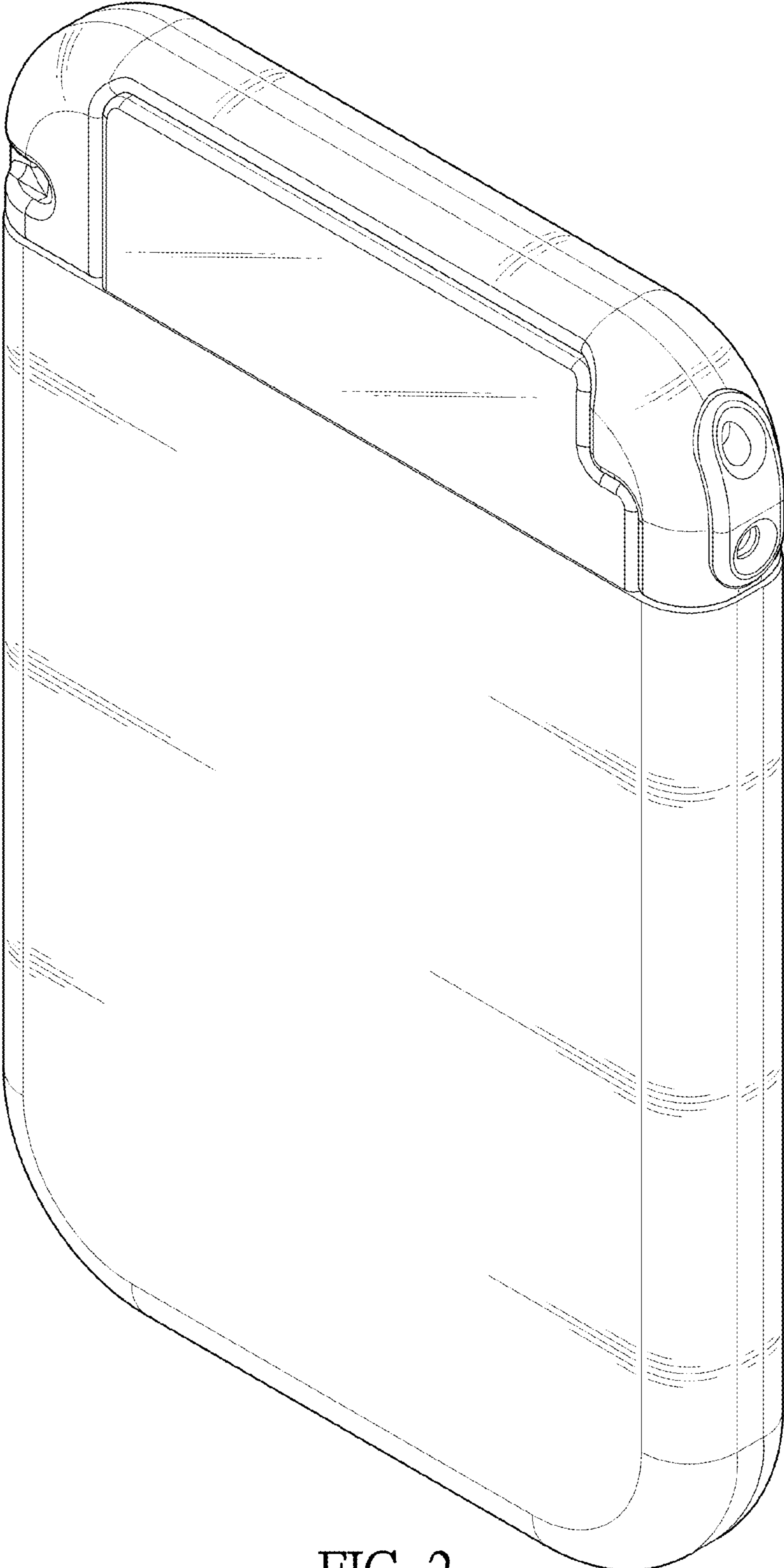


FIG. 2

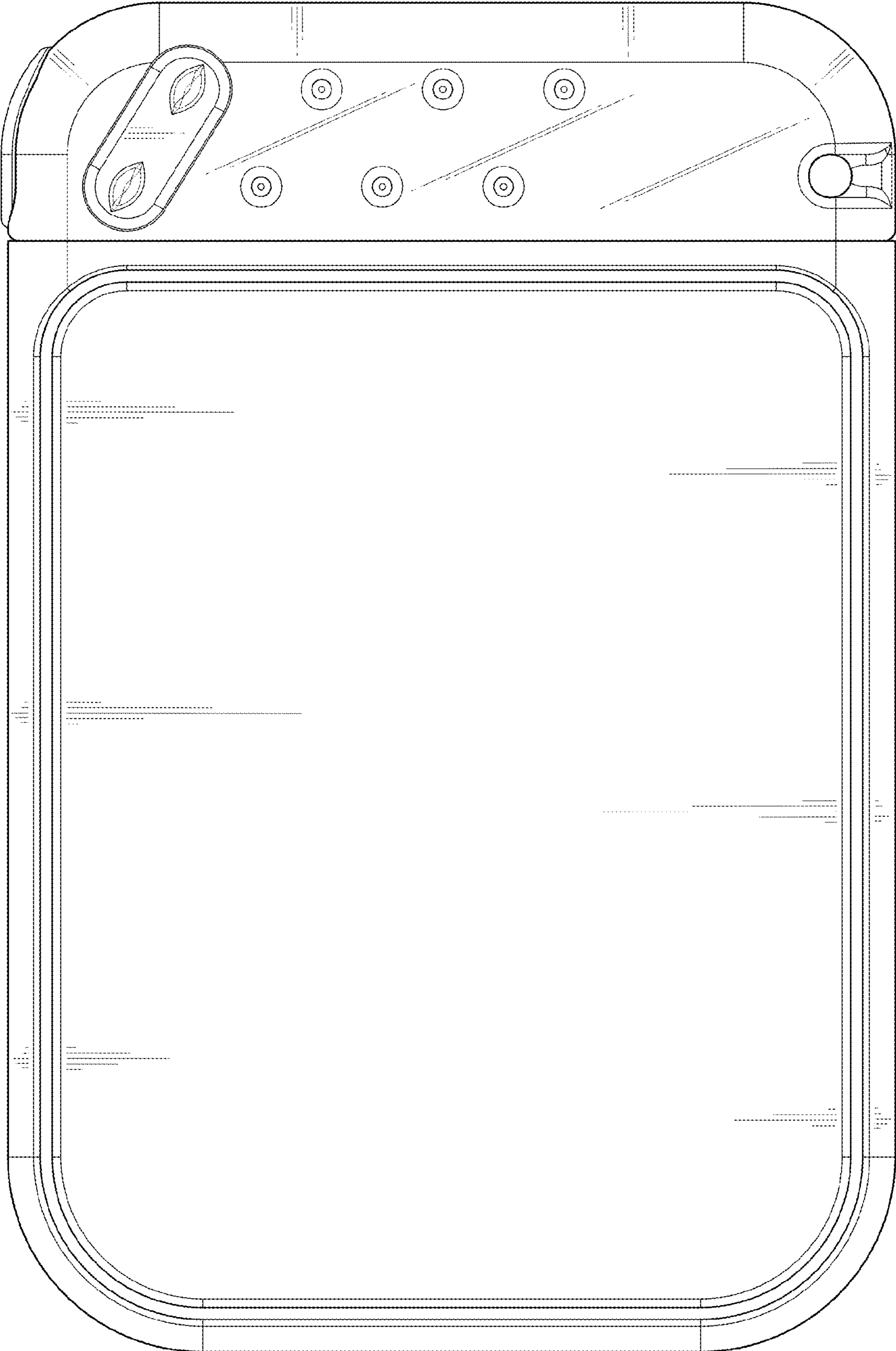


FIG. 3

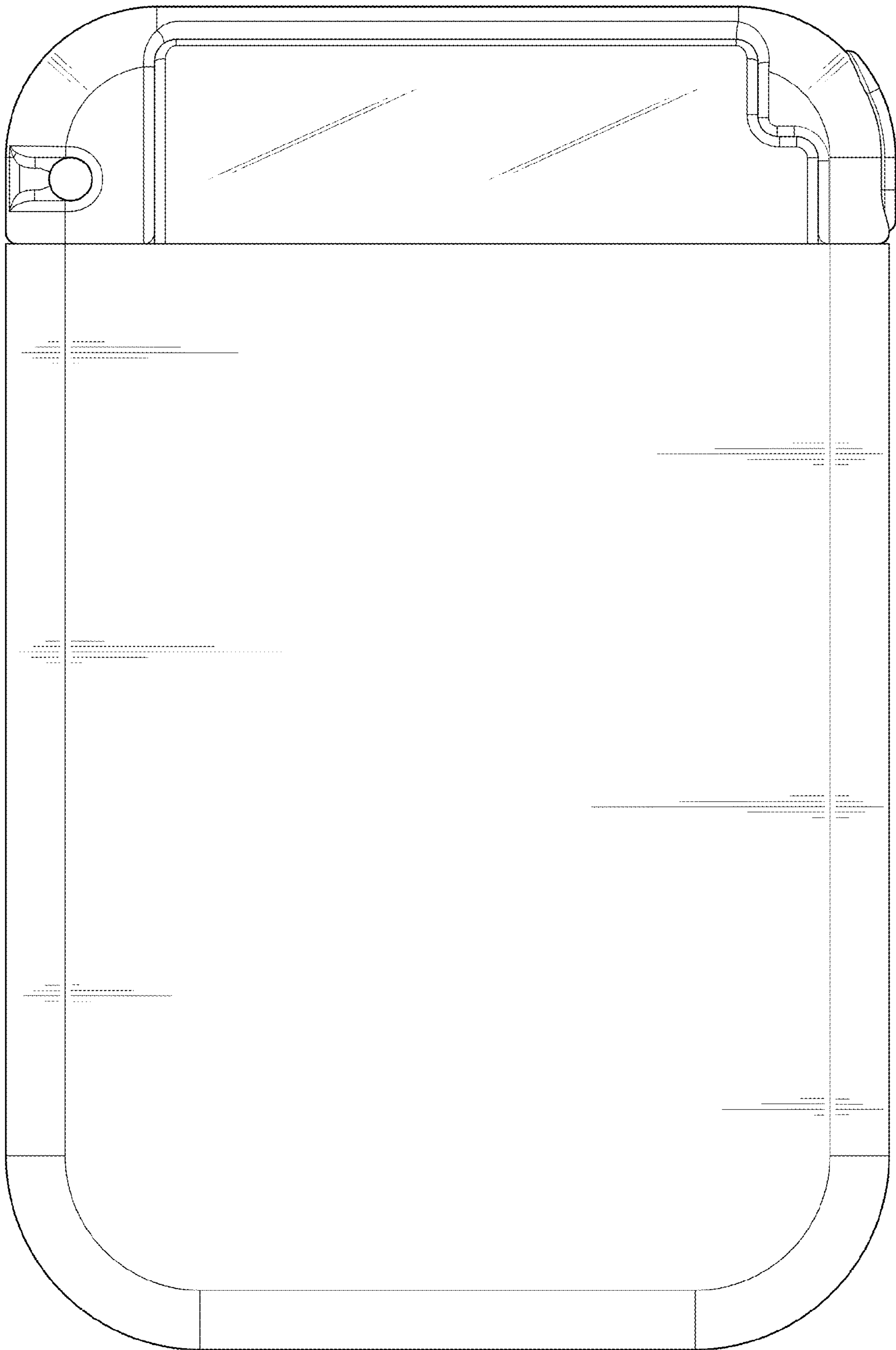


FIG. 4

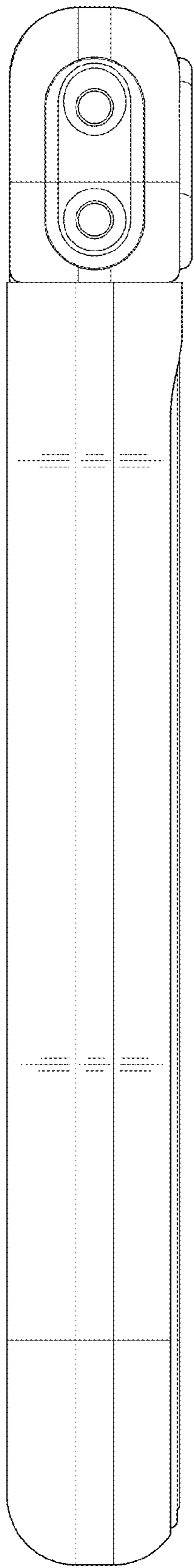


FIG. 5

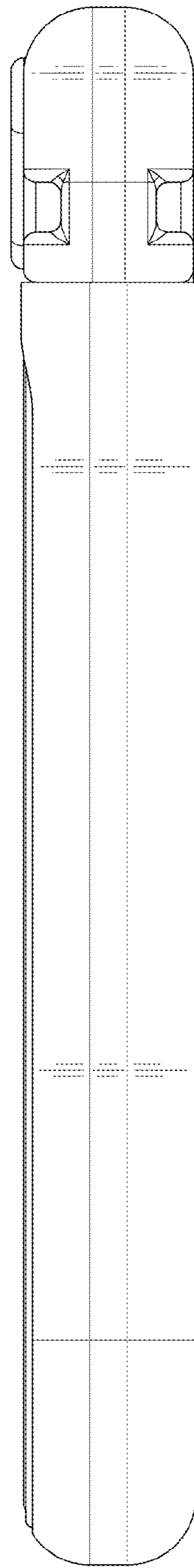


FIG. 6

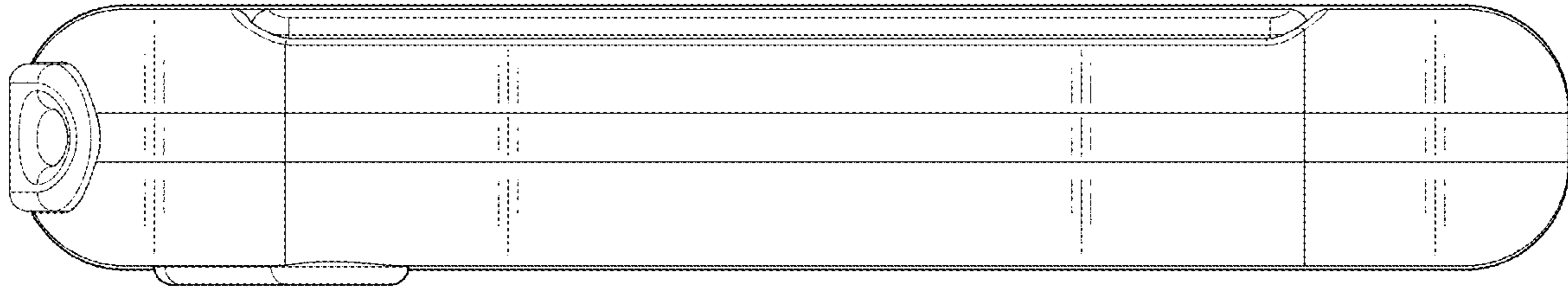


FIG. 7

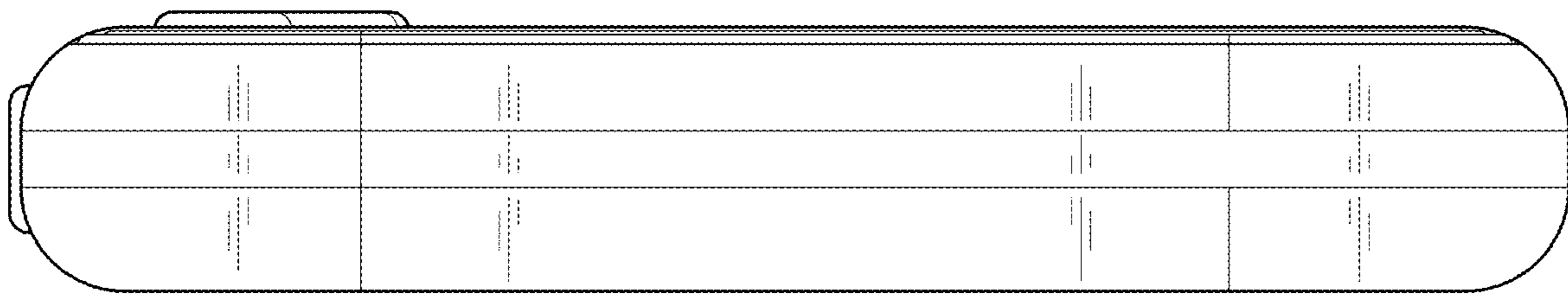


FIG. 8

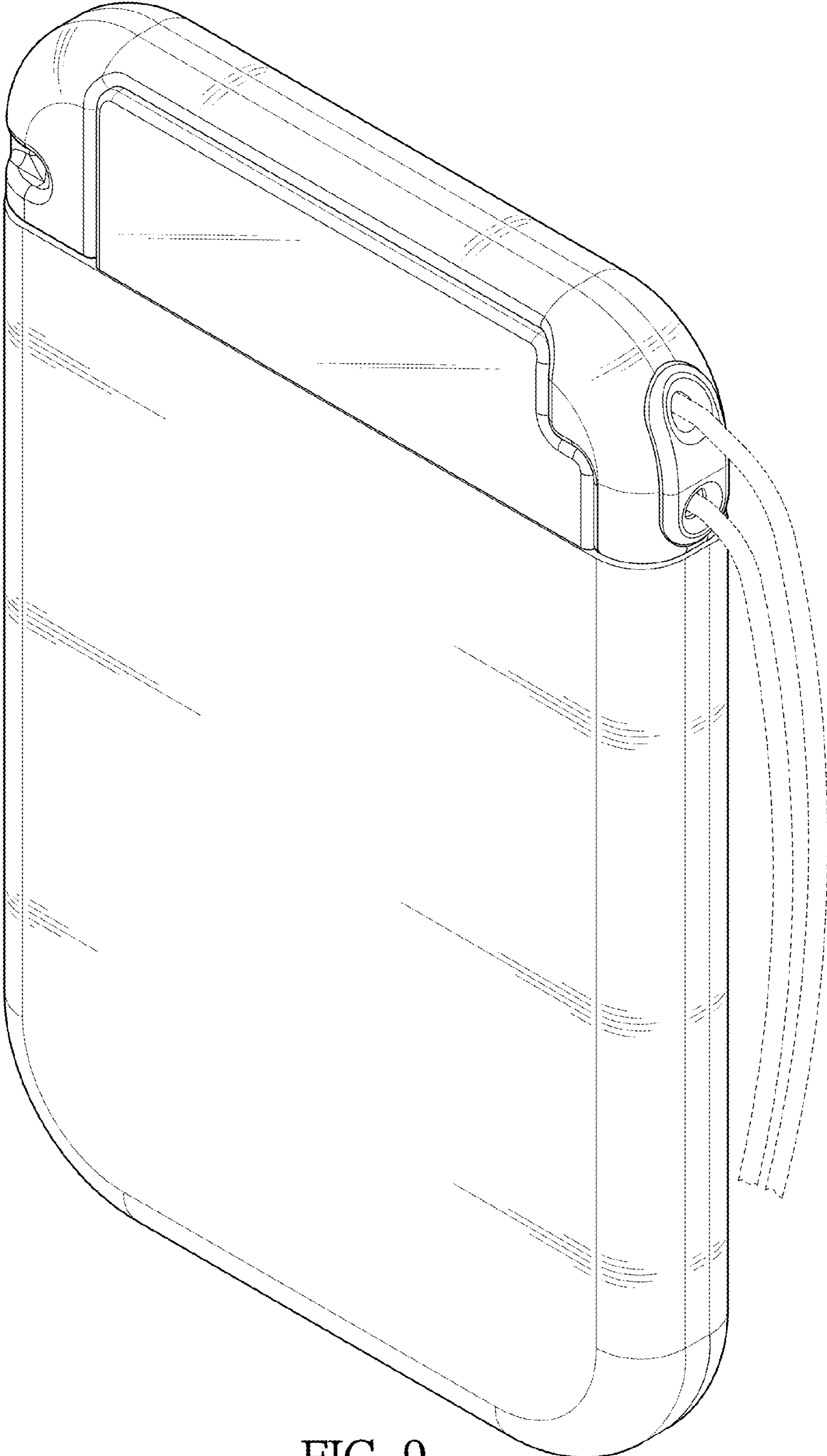


FIG. 9