



US00D950725S

(12) **United States Design Patent**
Kang et al.

(10) **Patent No.:** **US D950,725 S**

(45) **Date of Patent:** **** May 3, 2022**

- (54) **ENDOSCOPE VIDEO CAMERA HEAD**
- (71) Applicant: **INTHESMART Co., Ltd.**, Seoul (KR)
- (72) Inventors: **Uk Kang**, Seoul (KR); **Ilhyung Shin**, Seoul (KR)
- (73) Assignee: **INTHESMART Co., Ltd.**, Seoul (KR)
- (**) Term: **15 Years**
- (21) Appl. No.: **29/750,119**
- (22) Filed: **Sep. 11, 2020**

D523,455 S *	6/2006	Greise	D16/202
D587,804 S *	3/2009	Ruiz	D16/202
D607,032 S *	12/2009	Halleck	D16/202
D643,534 S *	8/2011	Halleck	D24/138
D651,312 S *	12/2011	Halleck	D24/138
D652,923 S *	1/2012	Kennedy	D24/138
D673,987 S *	1/2013	Mirrer	D16/202
D718,443 S *	11/2014	Yoshida	D24/138
D768,854 S *	10/2016	Halleck	D24/138
D777,327 S *	1/2017	Halleck	D24/138
D784,534 S *	4/2017	Funakoshi	D24/138
D784,535 S *	4/2017	Osada	D24/138
D785,174 S *	4/2017	Osada	D24/138
D874,647 S *	2/2020	Cranfield	D24/138
D879,290 S *	3/2020	Harman	D24/138
2021/0282626 A1 *	9/2021	Milsom	A61B 1/00154

Related U.S. Application Data

- (63) Continuation-in-part of application No. 29/635,599, filed on Feb. 1, 2018, now abandoned, which is a continuation-in-part of application No. 29/585,780, filed on Nov. 29, 2016, now abandoned.

* cited by examiner

Primary Examiner — Manpreet S Matharu

Assistant Examiner — Yolanda Robinson

(74) *Attorney, Agent, or Firm* — Patent Office of Dr. Chung Park

(30) **Foreign Application Priority Data**

Oct. 24, 2016 (KR) 30-2016-0050872

(51) **LOC (13) Cl.** **24-02**

(52) **U.S. Cl.**
USPC **D24/138**

(58) **Field of Classification Search**
 USPC D24/106, 108, 112, 117, 118, 133, 135,
 D24/137, 138, 222; D16/130, 132, 136,
 D16/200, 202, 208, 218, 219
 CPC A61B 1/00183; A61B 18/1402; A61B
 5/1076; A61B 17/0008; A61B 18/14;
 A61B 18/1445; A61B 1/00; A61B
 1/00039; A61B 1/00052; A61B 1/267;
 A61B 1/0052
 See application file for complete search history.

(56) **References Cited**

U.S. PATENT DOCUMENTS

D474,276 S *	5/2003	Greise	D16/202
D501,864 S *	2/2005	Greise	D16/202

(57) **CLAIM**

The ornamental design for an endoscope video camera head, as shown and described.

DESCRIPTION

FIG. 1 is perspective view of the top, front and right side of an endoscope video camera head showing new design;
 FIG. 2 is a front elevational view thereof;
 FIG. 3 is a rear elevational view thereof;
 FIG. 4 is a right side elevational view thereof;
 FIG. 5 is a left side elevational view thereof;
 FIG. 6 is a top plan view thereof; and,
 FIG. 7 is a bottom plan view thereof.
 The broken lines shown in the endoscope video camera head are for portions that forms no part of the claimed design.

1 Claim, 7 Drawing Sheets

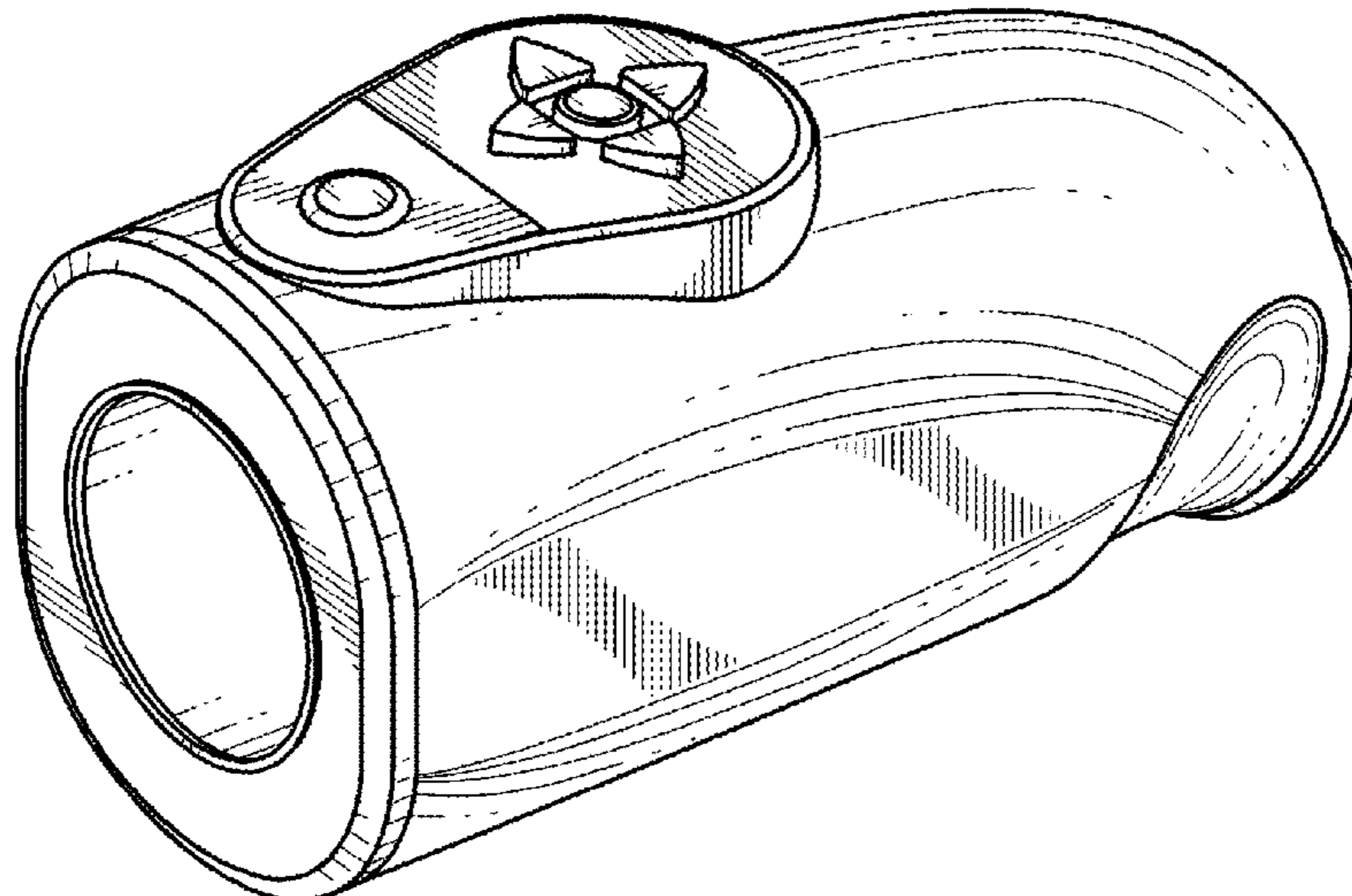


FIG. 1

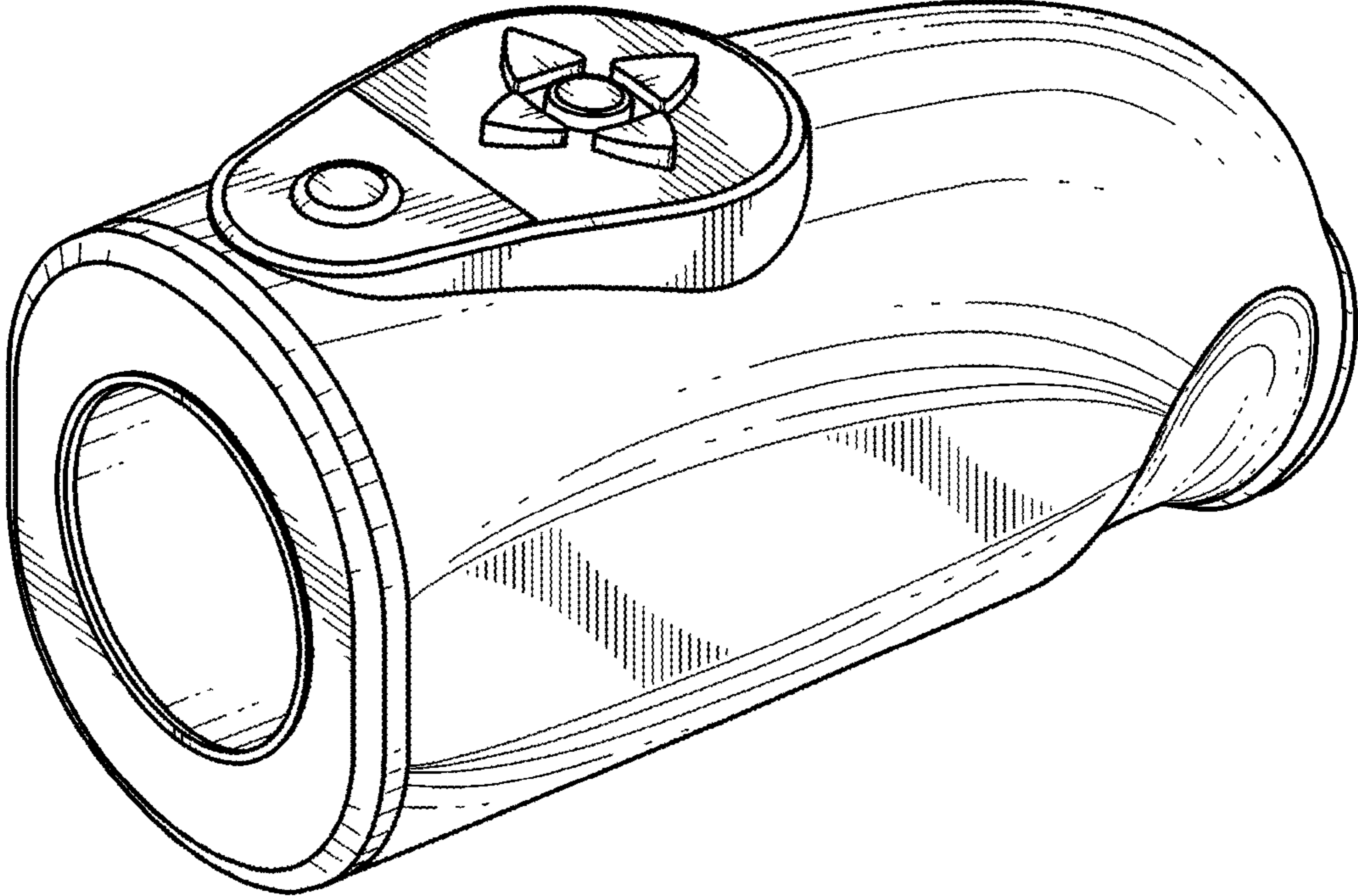


FIG. 2

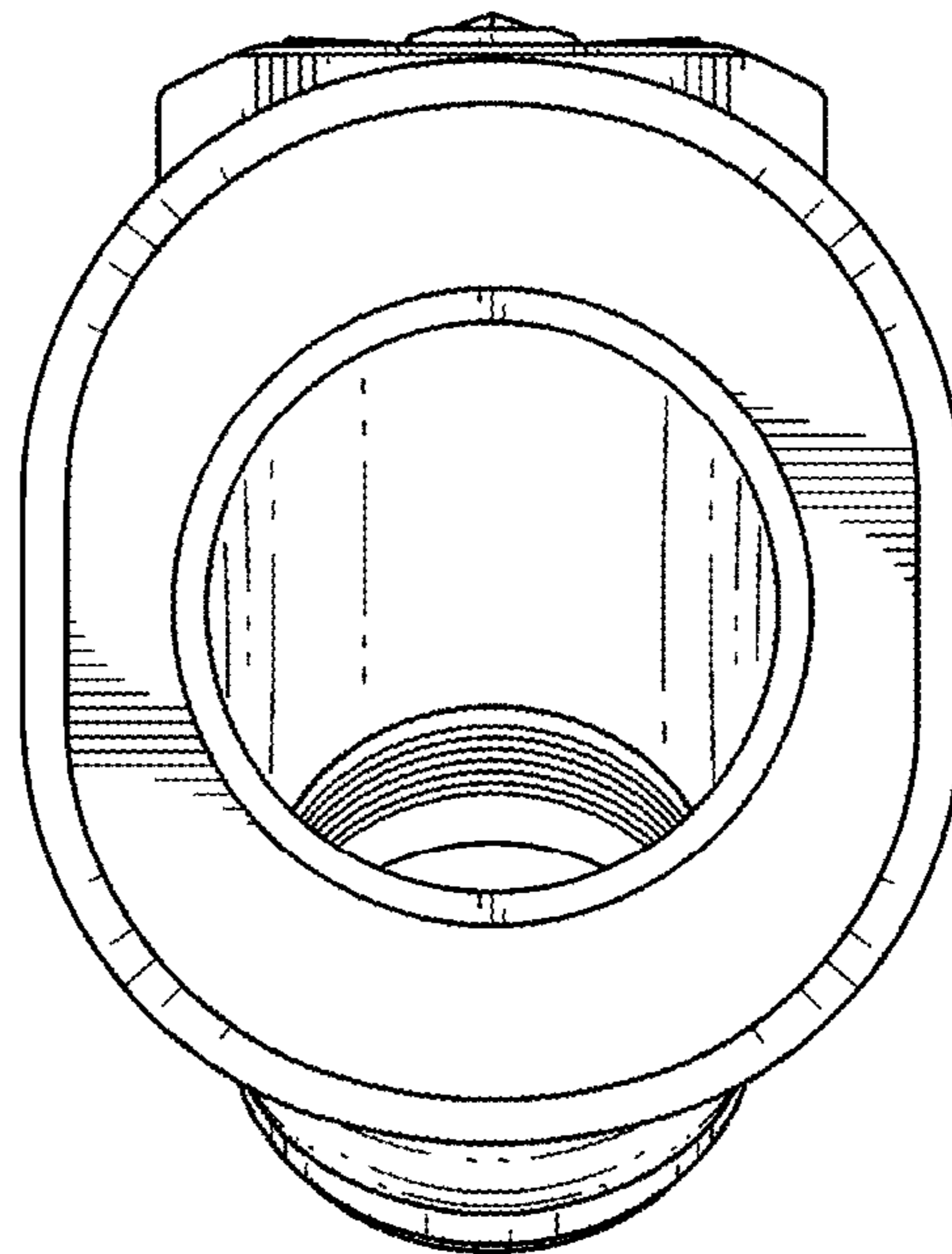


FIG. 3

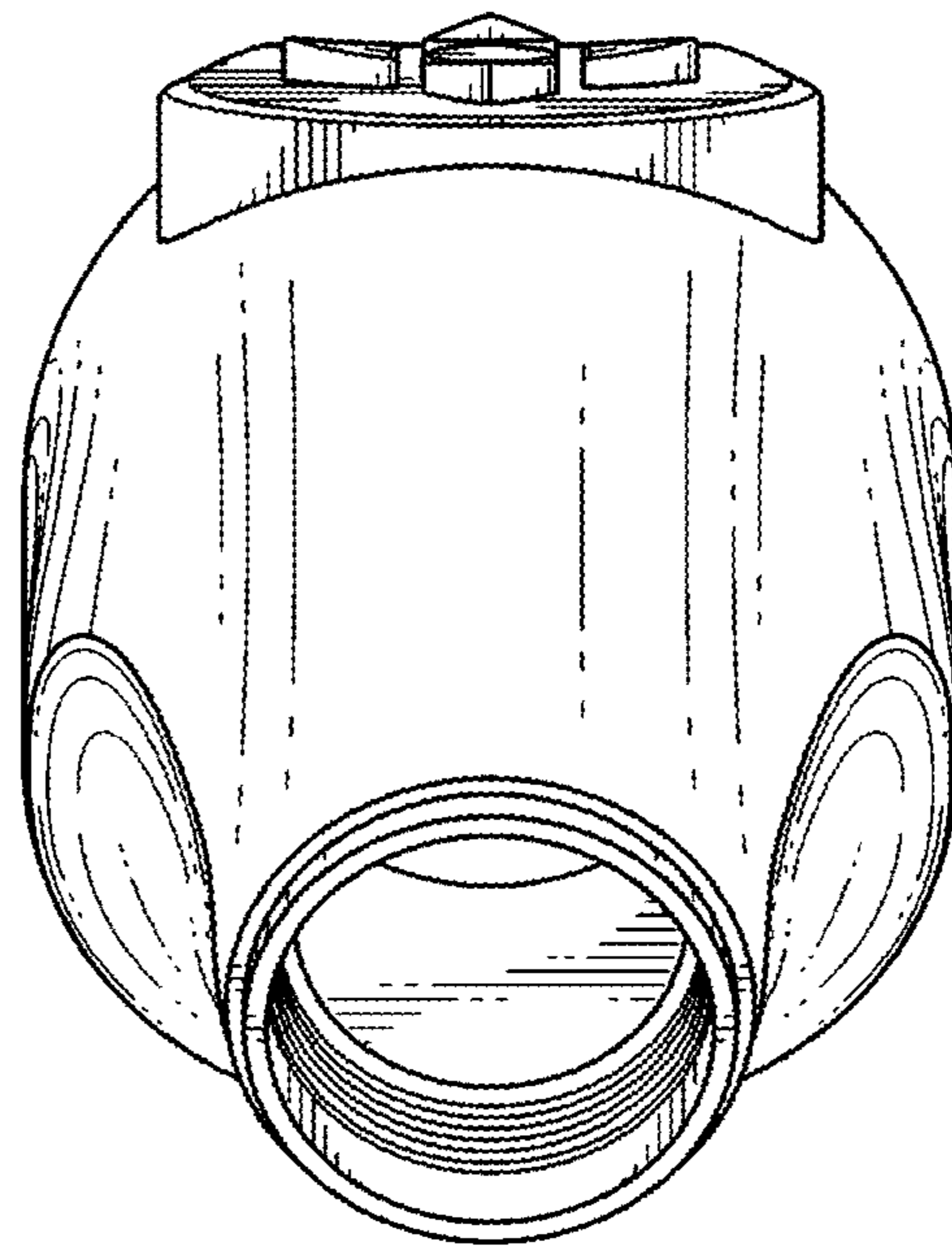


FIG. 4

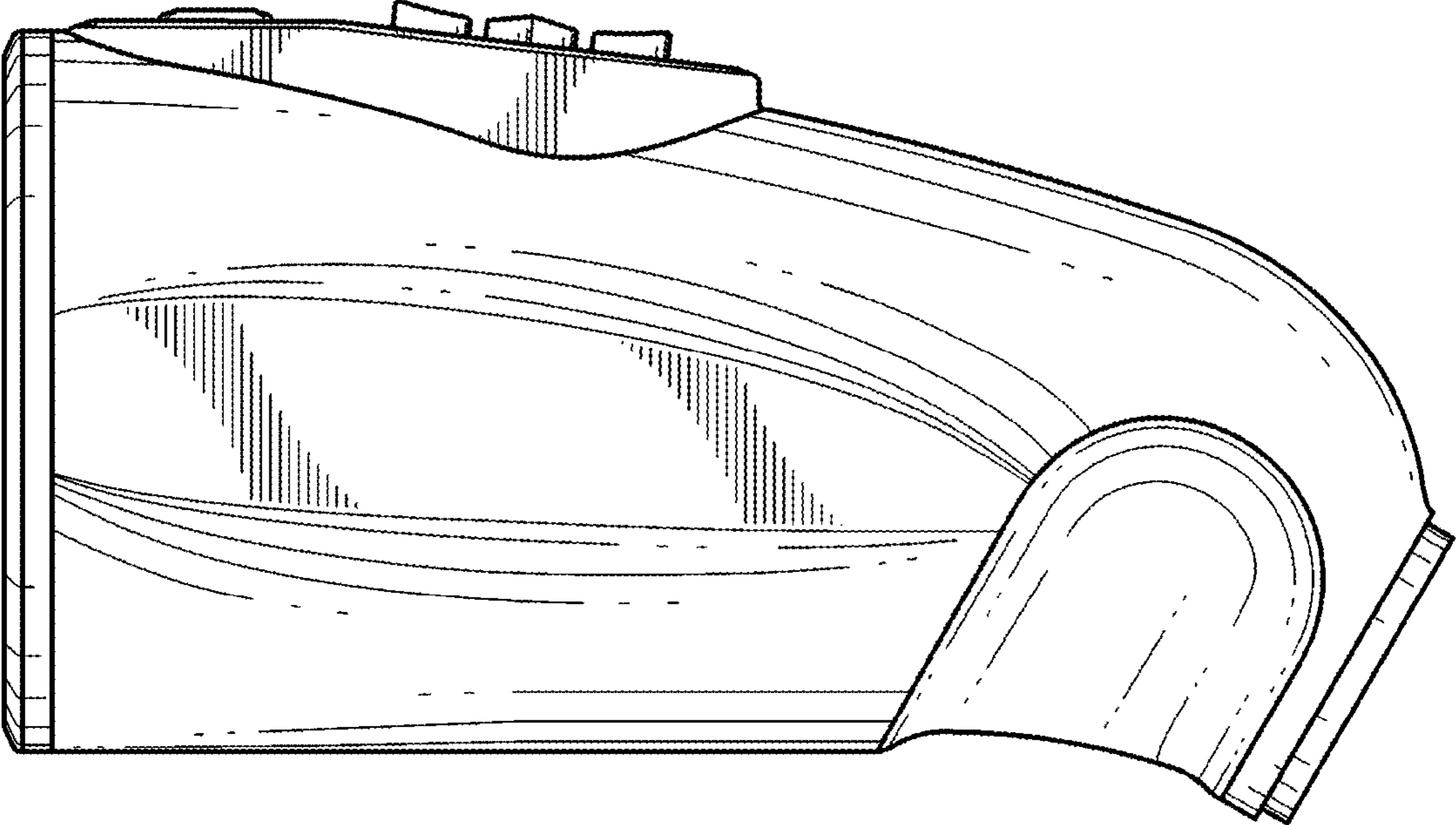


FIG. 5

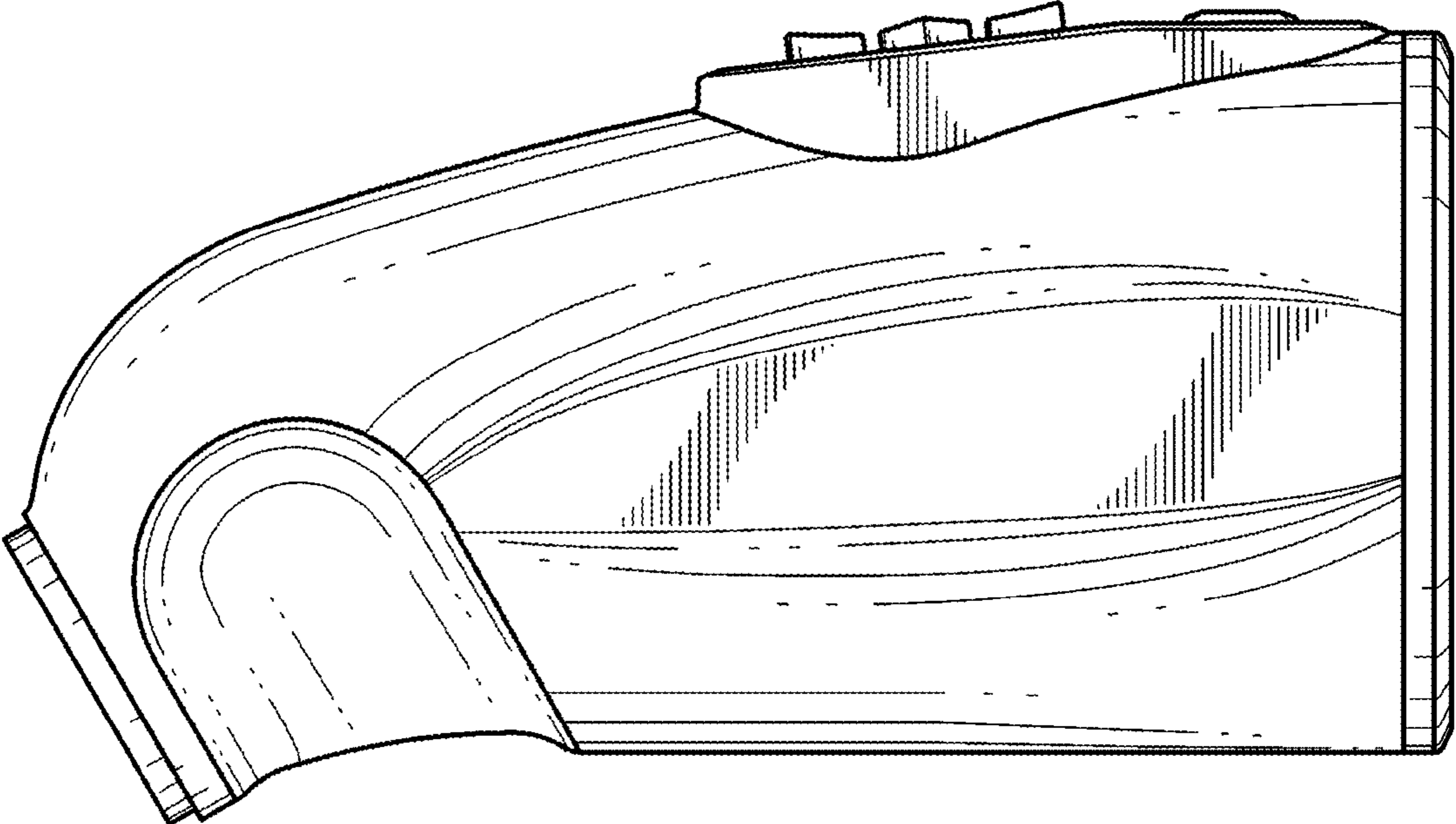


FIG. 6

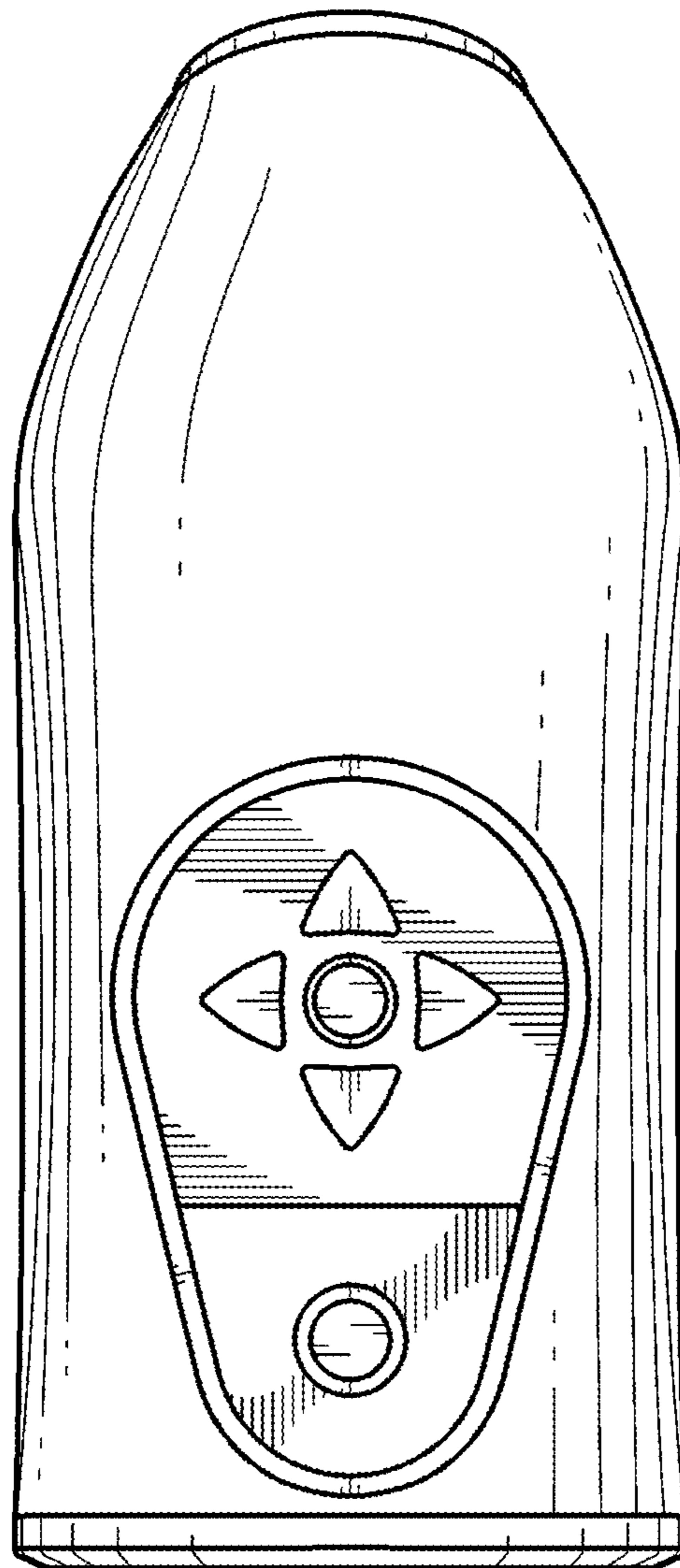


FIG. 7

