



US00D950724S

(12) **United States Design Patent**  
**Edmunds et al.**

(10) **Patent No.:** **US D950,724 S**

(45) **Date of Patent:** **\*\* May 3, 2022**

(54) **LARYNGOSCOPE BLADE**

(71) Applicant: **Flexicare (Group) Limited**, Mid Glamorgan (GB)

(72) Inventors: **Thomas Edmunds**, Merthyr Tydfil (GB); **Ghassem Poormand**, Newport Coast, CA (US)

(73) Assignee: **FLEXICARE (GROUP) LIMITED**, Mid Glamorgan (GB)

(\*\*) Term: **15 Years**

(21) Appl. No.: **29/701,453**

(22) Filed: **Aug. 12, 2019**

(30) **Foreign Application Priority Data**

Apr. 3, 2019 (EM) ..... 006367355-0005

(51) **LOC (13) Cl.** ..... **24-02**

(52) **U.S. Cl.**  
USPC ..... **D24/137**

(58) **Field of Classification Search**  
USPC ..... D24/133, 143, 145, 146, 147, 148, 137, D24/138, 144, 108, 117, 135, 141, 222; D8/51, 68, 107; 600/131, 132, 145, 146, 600/147, 185, 188, 197  
CPC ..... A61B 17/0684; A61B 17/068; A61B 17/0469; A61B 17/320092; A61B 17/32; A61B 18/1445; A61B 1/00087; A61B 1/00098; A61B 1/0052; A61B 1/00101; A61B 1/00066; A61B 1/0057; A61B 1/0011; A61B 1/00016; A61B 1/00; A61B 1/00052; A61B 1/267; A61M 25/09; G06F 3/147

See application file for complete search history.

3,766,909 A \* 10/1973 Ozbey ..... A61B 1/267 600/193

4,432,350 A \* 2/1984 Breslau ..... A61M 19/00 600/187

4,557,256 A \* 12/1985 Bauman ..... A61B 1/267 600/193

4,565,187 A \* 1/1986 Soloway ..... A61B 1/267 600/193

4,573,451 A \* 3/1986 Bauman ..... A61B 1/267 600/190

D297,363 S \* 8/1988 Salerno ..... D24/135

4,924,855 A \* 5/1990 Salerno ..... A61B 1/267 600/199

D316,898 S \* 5/1991 Park ..... D24/138

5,063,907 A \* 11/1991 Musicant ..... A61B 1/00142 600/186

D337,384 S \* 7/1993 Schucman ..... D24/137

5,349,943 A \* 9/1994 Ruiz ..... A61B 1/267 600/189

5,438,976 A \* 8/1995 Nash ..... A61B 1/267 600/186

5,575,758 A \* 11/1996 Easterbrook, III .... A61B 1/267 600/190

5,651,761 A \* 7/1997 Upsher ..... A61B 1/267 600/190

D413,977 S \* 9/1999 Granton ..... D24/138

6,102,851 A \* 8/2000 Mellin ..... A61B 1/267 600/193

D435,655 S \* 12/2000 Tamirisa ..... D24/137

D491,267 S \* 6/2004 Ashraf ..... D24/137

D512,778 S \* 12/2005 Ashraf ..... D24/138

D534,652 S \* 1/2007 McGrath ..... D24/135

D541,937 S \* 5/2007 Yee ..... D24/136

D544,601 S \* 6/2007 Iqbal ..... D24/137

D547,449 S \* 7/2007 Ashraf ..... D24/137

D550,841 S \* 9/2007 Berci ..... D24/133

D554,255 S \* 10/2007 Iqbal ..... D24/137

D558,346 S \* 12/2007 Darnold ..... D24/152

D558,347 S \* 12/2007 Darnold ..... D24/152

D559,982 S \* 1/2008 Iqbal ..... D24/137

D581,532 S \* 11/2008 Cranton ..... D24/137

D584,817 S \* 1/2009 Bigelow ..... D24/137

D605,759 S \* 12/2009 Cuevas ..... D24/133

D608,889 S \* 1/2010 Tenger ..... D24/137

D609,808 S \* 2/2010 Tenger ..... D24/137

D615,645 S \* 5/2010 Brigatti ..... D24/112

D616,087 S \* 5/2010 Brigatti ..... D24/112

D616,088 S \* 5/2010 Brigatti ..... D24/112

D616,540 S \* 5/2010 Brigatti ..... D24/112

D617,444 S \* 6/2010 McCauley ..... D24/108

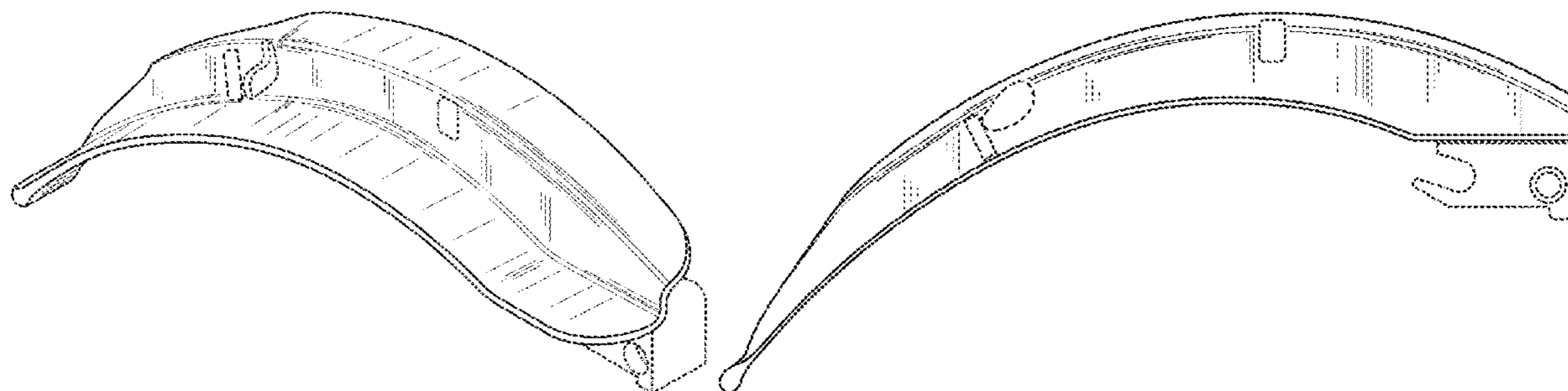
7,736,304 B2 \* 6/2010 Pecherer ..... A61B 1/267 600/197

(56) **References Cited**

U.S. PATENT DOCUMENTS

3,426,749 A \* 2/1969 Jephcott ..... A61B 1/267 600/186

3,643,654 A \* 2/1972 Felbarg ..... A61B 1/267 600/189



# US D950,724 S

Page 2

D619,248 S *	7/2010	Yokota .....	D24/137	2005/0240081 A1 *	10/2005	Eliachar .....	A61B 1/0669
7,824,331 B1 *	11/2010	Cranton .....	A61B 1/0676				600/199
			600/190	2007/0129606 A1 *	6/2007	Pecherer .....	A61B 1/267
D630,737 S *	1/2011	Tenger .....	D24/137				600/193
D630,738 S *	1/2011	Tenger .....	D24/137	2007/0167686 A1 *	7/2007	McGrath .....	A61B 1/00016
D630,739 S *	1/2011	Tenger .....	D24/137				600/188
D630,740 S *	1/2011	Tenger .....	D24/137	2008/0146878 A1 *	6/2008	Frost .....	A61B 1/267
D630,741 S *	1/2011	Tenger .....	D24/137				600/188
D630,742 S *	1/2011	Tenger .....	D24/137	2008/0188717 A1 *	8/2008	Chen .....	A61B 1/0676
D630,743 S *	1/2011	Tenger .....	D24/137				600/199
D630,744 S *	1/2011	Tenger .....	D24/137	2008/0234549 A1 *	9/2008	Geist .....	A61B 1/00101
D630,745 S *	1/2011	Tenger .....	D24/137				600/194
D631,158 S *	1/2011	Doerges .....	D24/137	2008/0249370 A1 *	10/2008	Birnkrant .....	A61B 1/0676
D634,008 S *	3/2011	Tenger .....	D24/137				600/188
D637,714 S *	5/2011	Clarke .....	D24/137	2009/0299145 A1 *	12/2009	Dzwonkiewicz .....	A61B 1/267
D637,715 S *	5/2011	Clarke .....	D24/137				600/185
D637,716 S *	5/2011	Clarke .....	D24/137	2009/0318769 A1 *	12/2009	Tenger .....	A61B 5/0071
D637,717 S *	5/2011	Clarke .....	D24/137				600/199
D645,146 S *	9/2011	Lee .....	D24/137	2010/0036204 A1 *	2/2010	Anders .....	A61B 1/0011
D659,246 S *	5/2012	McGrath .....	D24/137				600/190
D663,026 S *	7/2012	McGrath .....	D24/137	2011/0306839 A1 *	12/2011	Young .....	A61B 1/267
D664,653 S *	7/2012	Doerges .....	D24/137				600/188
D683,443 S *	5/2013	Mullane .....	D24/110	2012/0065471 A1 *	3/2012	McGrath .....	A61M 16/0418
D684,690 S *	6/2013	Senger .....	D24/140				600/114
D708,326 S *	7/2014	Wang .....	D24/137	2012/0071725 A1 *	3/2012	Plevnik .....	A61B 1/00103
D717,431 S *	11/2014	Cardinale .....	D24/133				600/188
D718,859 S *	12/2014	Pohlmann .....	D24/152	2012/0190929 A1 *	7/2012	Patel .....	A61B 1/00183
D724,208 S *	3/2015	Miller .....	D24/137				600/189
9,095,298 B2 *	8/2015	Ashcraft .....	A61B 1/267	2012/0316398 A1 *	12/2012	Ashcraft .....	A61B 1/00048
D738,501 S *	9/2015	Renner .....	D24/146				600/188
D739,017 S *	9/2015	Renner .....	A61B 1/06	2012/0330103 A1 *	12/2012	Tenger .....	A61M 16/0427
			D24/146				600/188
D745,669 S *	12/2015	Swift .....	A61B 1/00045	2013/0060089 A1 *	3/2013	McGrath .....	A61B 1/267
			D24/137				600/187
D746,451 S *	12/2015	Chen .....	A61B 1/00066	2013/0060090 A1 *	3/2013	McGrath .....	A61B 1/00066
			D24/137				600/188
D748,255 S *	1/2016	McGrath .....	A61B 1/267	2014/0135582 A1 *	5/2014	Selcho .....	A61B 1/267
			D24/137				600/188
D791,943 S *	7/2017	Cook .....	D24/137	2014/0202459 A1 *	7/2014	Iqbal .....	A61B 1/267
D802,131 S *	11/2017	McGrath .....	D24/137				128/200.26
D812,224 S *	3/2018	McGrath .....	D24/137	2014/0228645 A1 *	8/2014	Pourshams .....	A61B 1/00071
D816,837 S *	5/2018	Fuhr .....	D24/137				600/190
D820,982 S *	6/2018	Miller .....	D24/137	2015/0051447 A1 *	2/2015	Swift .....	A61B 1/267
D826,403 S *	8/2018	Huels .....	A61B 1/267				600/193
			D24/137	2015/0112146 A1 *	4/2015	Donaldson .....	A61B 1/00032
D829,900 S *	10/2018	Huels .....	A61B 1/267				600/188
			D24/137	2016/0000305 A1 *	1/2016	Elbaz .....	A61B 1/00066
D829,901 S *	10/2018	Huels .....	A61B 1/267				600/193
			D24/137	2017/0079518 A1 *	3/2017	Elbaz .....	A61B 1/0011
10,334,687 B2 *	6/2019	Kwok .....	G02B 6/0005	2018/0008137 A1 *	1/2018	Poormand .....	A61B 1/00103
D858,764 S *	9/2019	Zimmerli .....	A61B 1/267	2018/0132709 A1 *	5/2018	Chen .....	A61B 1/00045
			D24/137	2018/0296081 A1 *	10/2018	Cook .....	A61B 1/00066
D859,655 S *	9/2019	Zimmerli .....	A61B 1/267	2019/0053698 A1 *	2/2019	Young .....	A61B 1/015
			D24/137	2019/0174991 A1 *	6/2019	Rovira Soriano .....	A61B 1/06
D859,656 S *	9/2019	Zimmerli .....	D24/137	2020/0288961 A1 *	9/2020	Elbaz .....	A61B 1/00124
D862,696 S *	10/2019	Elbaz .....	A61B 1/267	2020/0375447 A1 *	12/2020	Kotamarti .....	A61B 1/00032
			D24/146	2020/0397274 A1 *	12/2020	Velez Rivera .....	A61B 1/0008
D863,555 S *	10/2019	Elbaz .....	A61B 1/267				
			D24/146				
D865,959 S *	11/2019	Huels .....	A61B 1/00142				
			D24/137				
D868,249 S *	11/2019	Chen .....	D24/137				
D868,964 S *	12/2019	Huels .....	A61B 1/267				
			D24/137				
10,524,651 B2 *	1/2020	McGrath .....	A61B 1/06				
D877,330 S *	3/2020	McClunan .....	D24/135				
10,729,317 B2 *	8/2020	Eggl .....	A61B 1/267				
10,765,302 B2 *	9/2020	Rovira Soriano .....	A61B 1/2673				
10,786,145 B2 *	9/2020	Pecherer .....	A61B 1/267				
2002/0082477 A1 *	6/2002	Kim .....	A61B 1/00142				
			600/186				
2003/0018239 A1 *	1/2003	Cartledge .....	A61B 1/267				
			600/195				
2003/0092967 A1 *	5/2003	Fourie .....	A61B 1/267				
			600/191				
2003/0120131 A1 *	6/2003	Pecherer .....	A61B 1/267				
			600/199				

## FOREIGN PATENT DOCUMENTS

CN	302843407	*	6/2014
GB	6043841	*	9/2015

## OTHER PUBLICATIONS

BritePro Solo, [site visited Mar. 12, 2021]. Available from Internet.  
 URL: <https://www.youtube.com/watch?v=u1EPi-uqMsU> (Year: 2015).\*

\* cited by examiner

*Primary Examiner* — T Chase Nelson

*Assistant Examiner* — Kelly L Gross

(74) *Attorney, Agent, or Firm* — Adsero IP

(57)

**CLAIM**

We claim the ornamental design for a laryngoscope blade, as shown and described.

**DESCRIPTION**

FIG. 1 is a rear, right, top perspective view showing our new design;

FIG. 2 is a rear, left, top perspective view thereof;

FIG. 3 is a right side elevation view thereof;

FIG. 4 is a left side elevation view thereof;

FIG. 5 is a front elevation view thereof;

FIG. 6 is a top plan view thereof;

FIG. 7 is a bottom plan view thereof; and,

FIG. 8 is a rear elevation view thereof.

The broken lines showing portions of the design in all figures are included for the purpose of illustrating environment and unclaimed features and form no part of the claimed design.

**1 Claim, 4 Drawing Sheets**

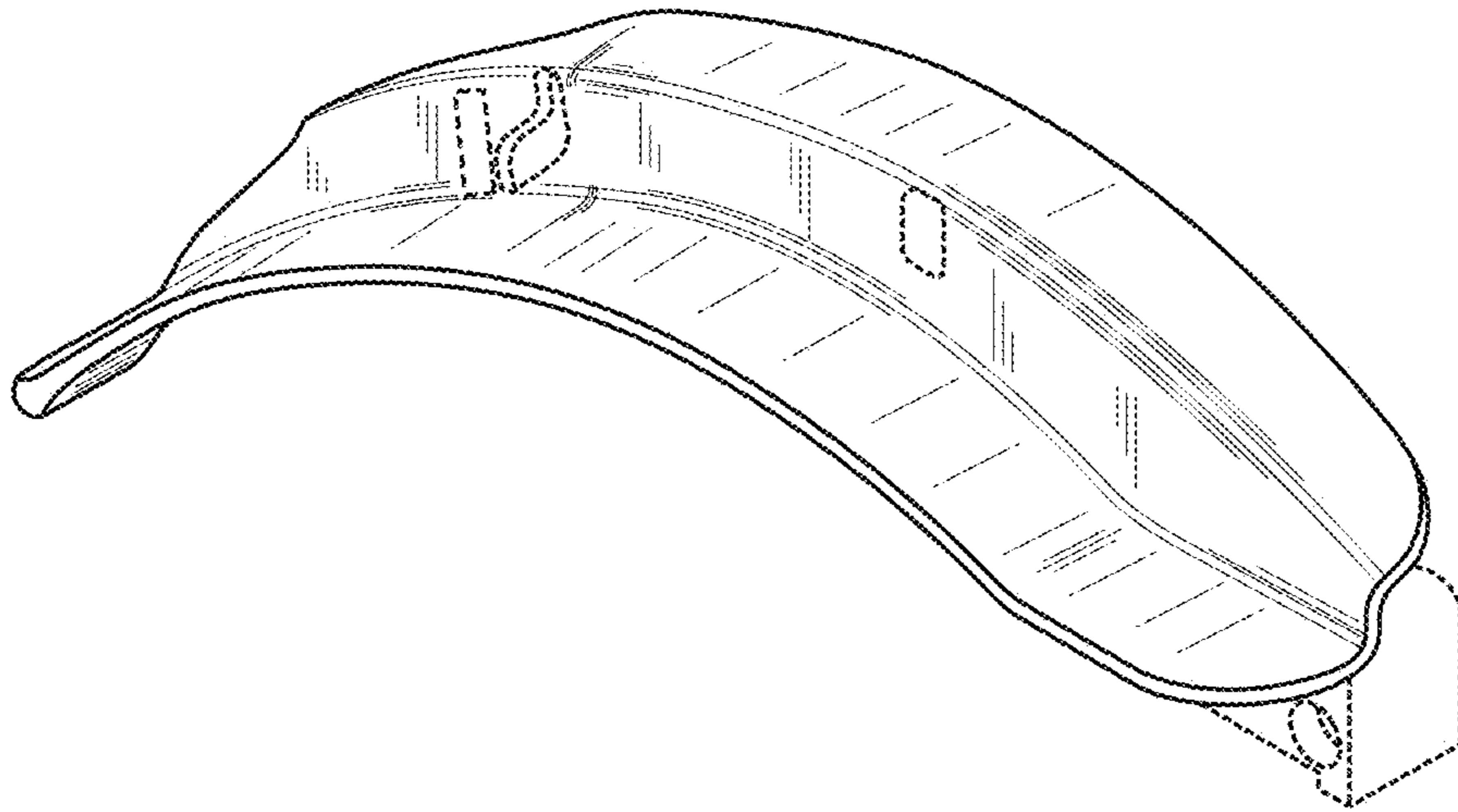


Fig. 1

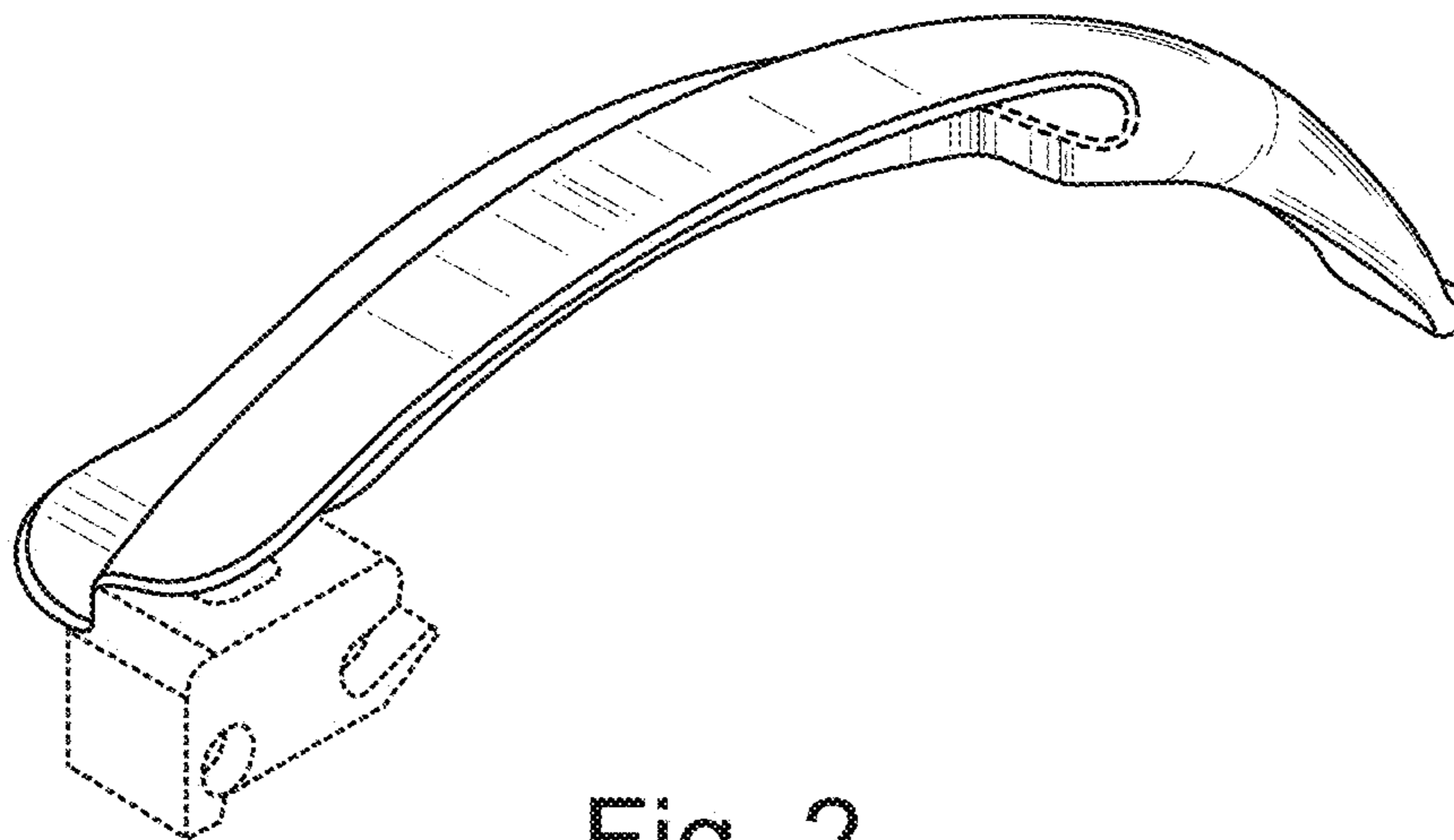


Fig. 2

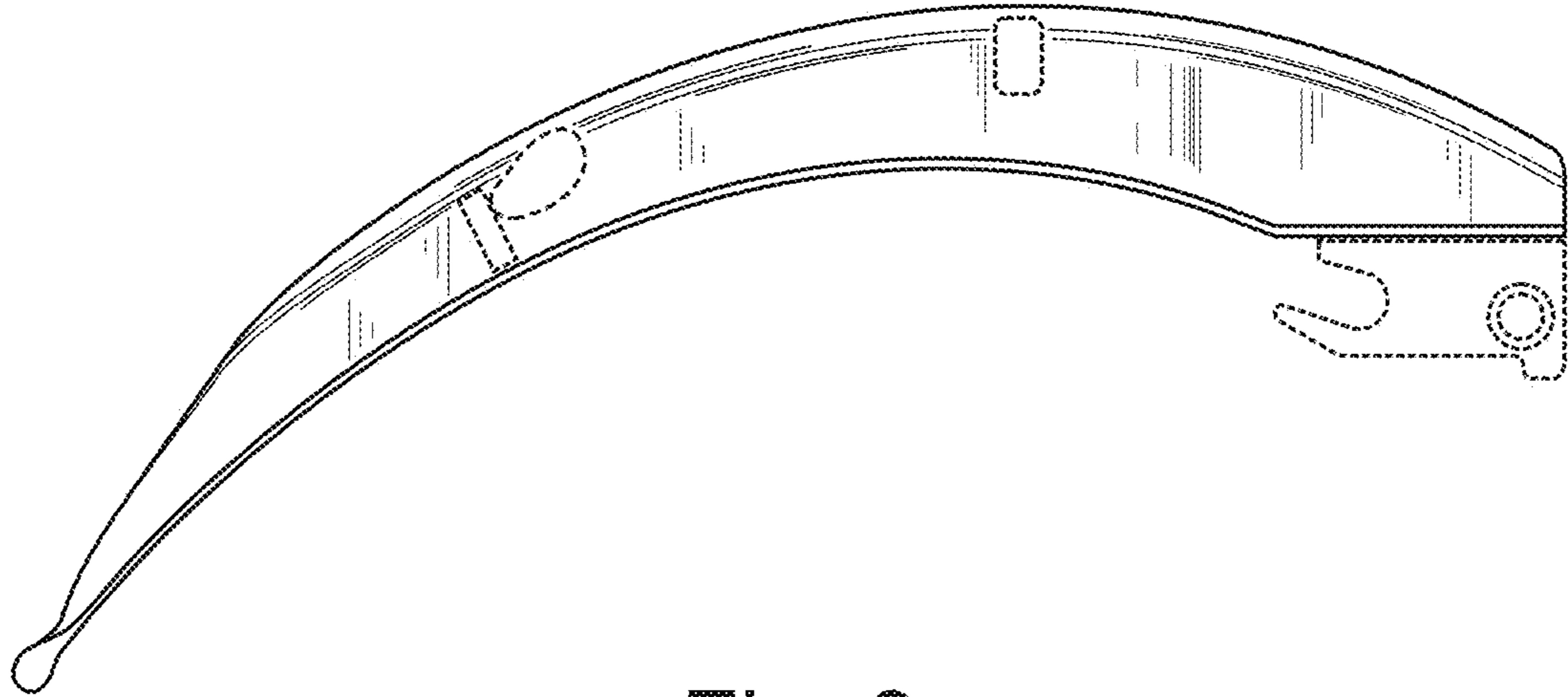


Fig. 3

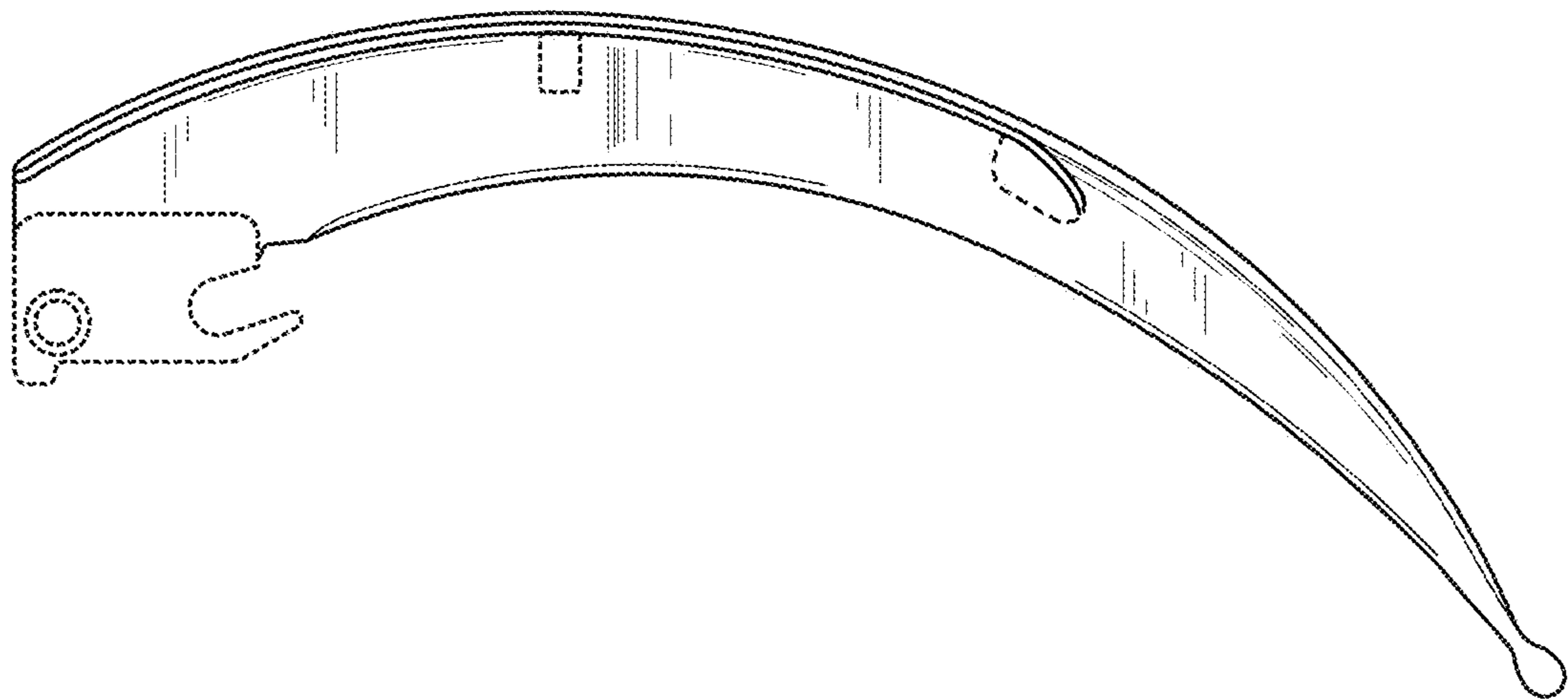


Fig. 4

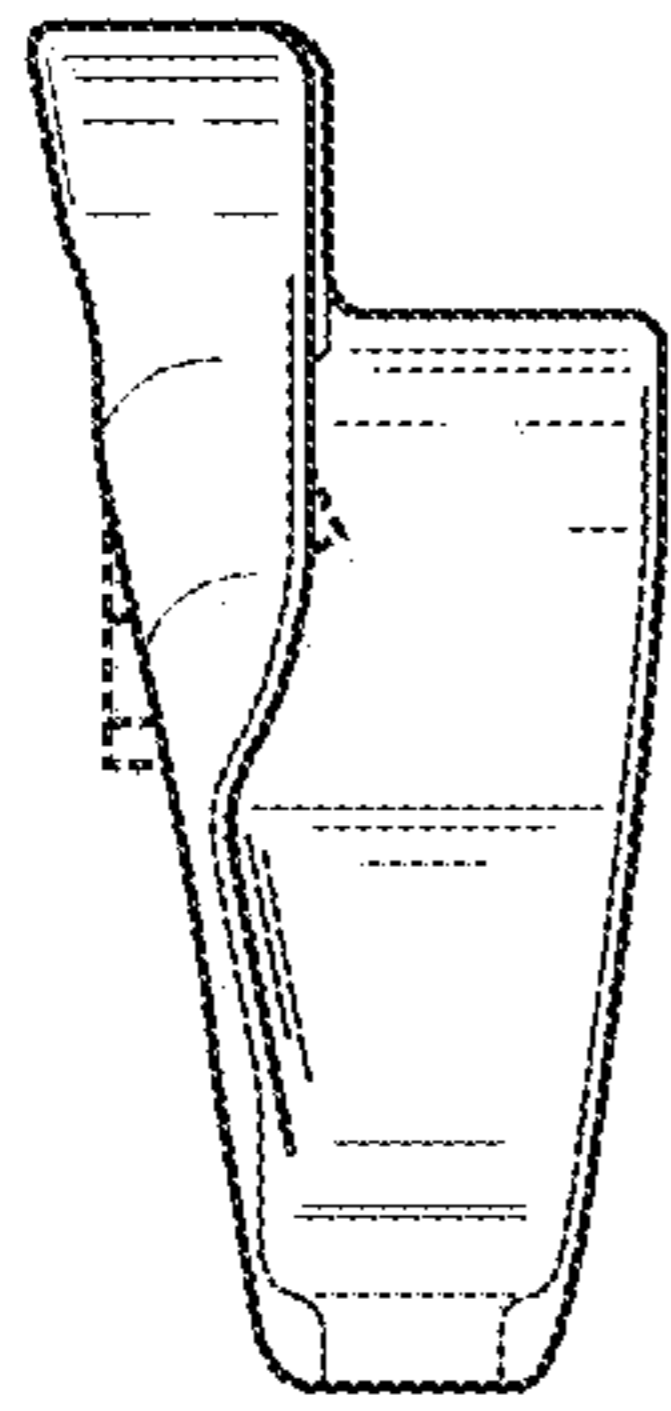


Fig. 5

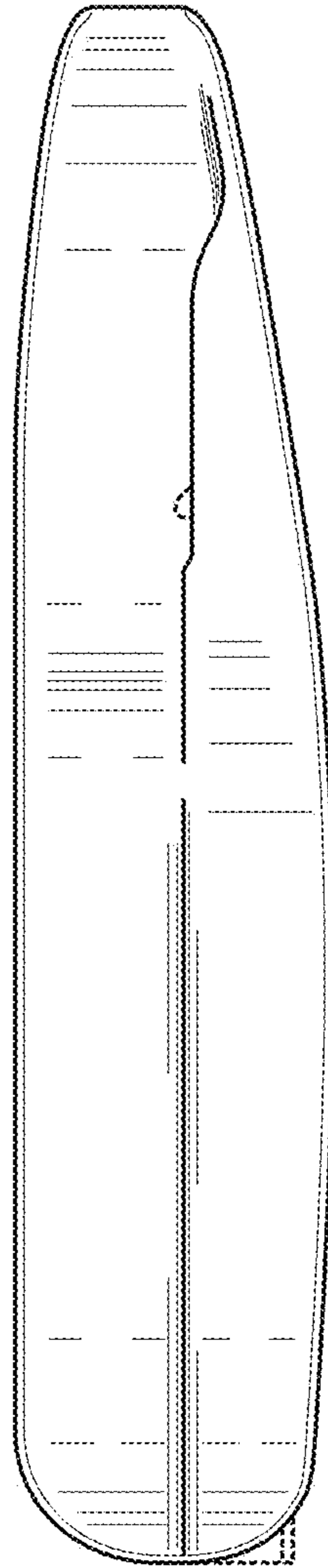


Fig. 6

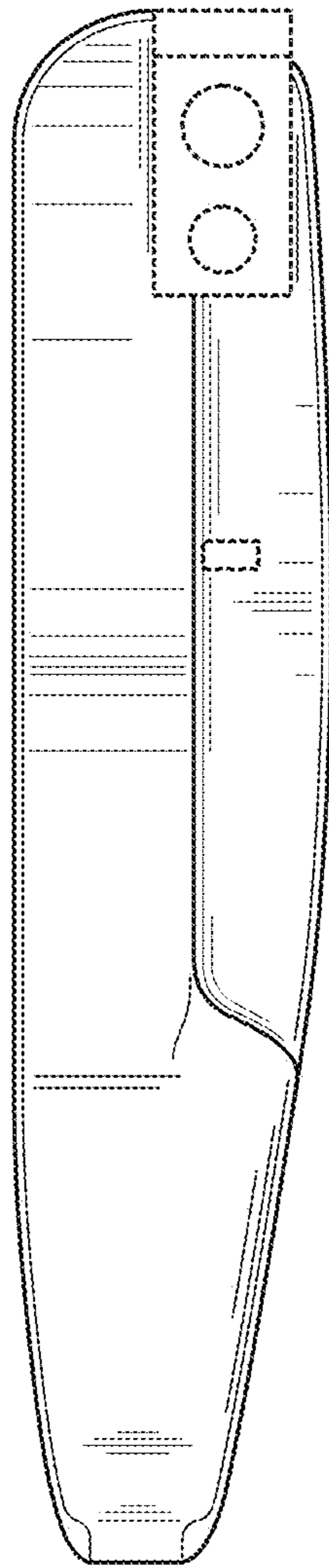


Fig. 7

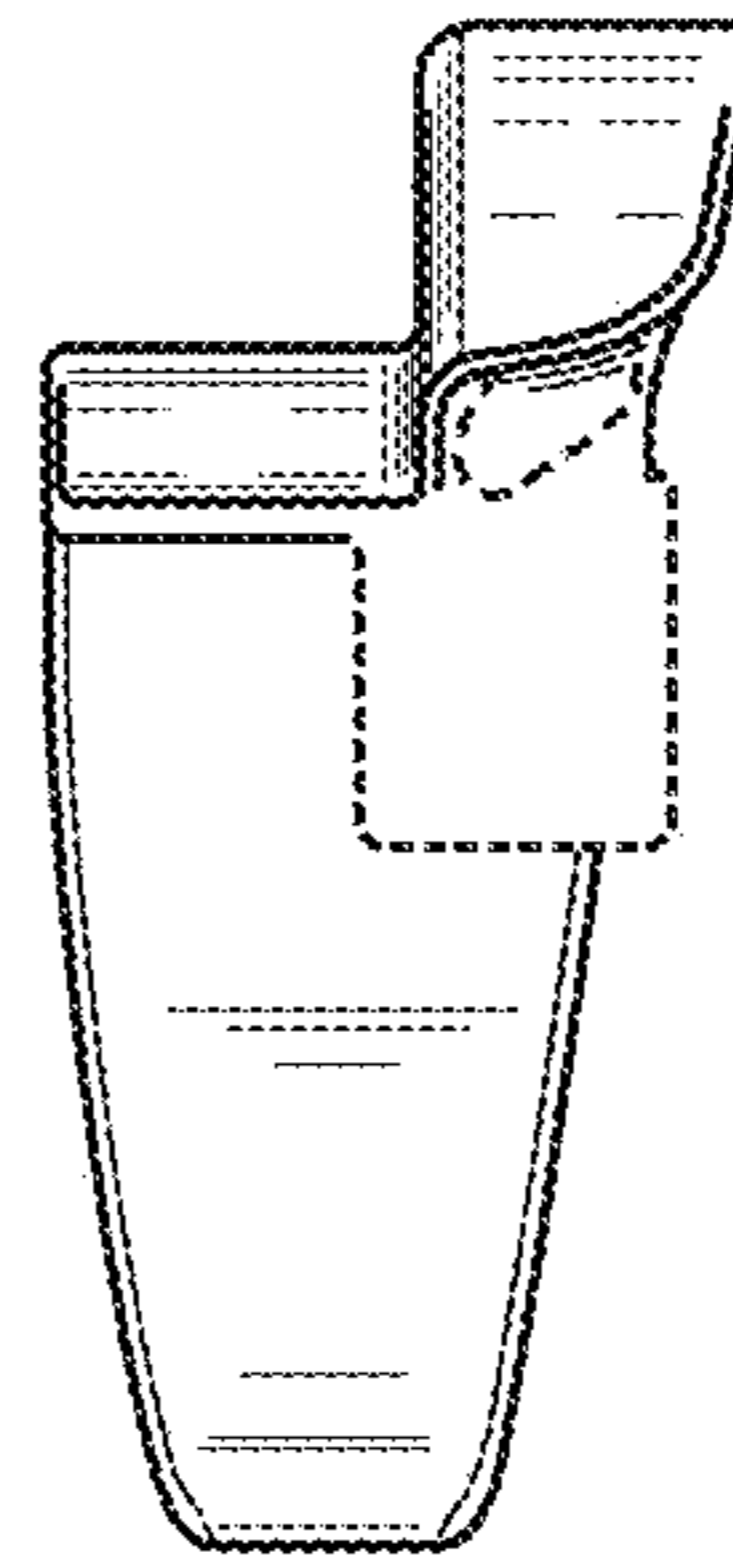


Fig. 8