



US00D950723S

(12) **United States Design Patent**
Leibowitz

(10) **Patent No.:** **US D950,723 S**

(45) **Date of Patent:** **** May 3, 2022**

(54) **NAIL EXTRACTOR**

(71) Applicant: **Shukla Medical**, St. Petersburg, FL
(US)

(72) Inventor: **Evan G. Leibowitz**, Linden, NJ (US)

(73) Assignee: **Shukla Medical**, St. Petersburg, FL
(US)

(**) Term: **15 Years**

(21) Appl. No.: **29/671,058**

(22) Filed: **Nov. 21, 2018**

(51) **LOC (13) Cl.** **24-02**

(52) **U.S. Cl.**
USPC **D24/133**

(58) **Field of Classification Search**
USPC D24/108, 112–114, 127, 133, 137, 138,
D24/143, 145, 170, 186; 606/104,
606/315–317
CPC A61B 17/8888; A61B 17/888; A61B
17/8875; A61B 17/8877; B25B 27/18;
B23B 51/0081; B23B 51/08; B23B
2251/64; B23B 2251/66
See application file for complete search history.

(56) **References Cited**

U.S. PATENT DOCUMENTS

- 3,263,533 A * 8/1966 Carlson B25B 27/18
81/441
- 4,688,315 A * 8/1987 Jannke B25B 27/18
D24/133
- 8,112,864 B2 * 2/2012 Vincent C22B 9/023
D24/143
- D700,700 S * 3/2014 Efinger D24/147
- D701,306 S * 3/2014 Nalagatla D24/145
- 8,690,871 B2 * 4/2014 Partlett A61M 25/0136
606/41
- D719,654 S * 12/2014 Weitkamp D24/143
- D747,477 S * 1/2016 Freigang D24/145

- D765,245 S * 8/2016 Kamal D24/141
- D772,409 S * 11/2016 Buell D24/141
- D817,490 S * 5/2018 Buell D24/141

(Continued)

Primary Examiner — Manpreet S Matharu

Assistant Examiner — Yolanda Robinson

(74) *Attorney, Agent, or Firm* — Kim IP Law Group LLC

(57) **CLAIM**

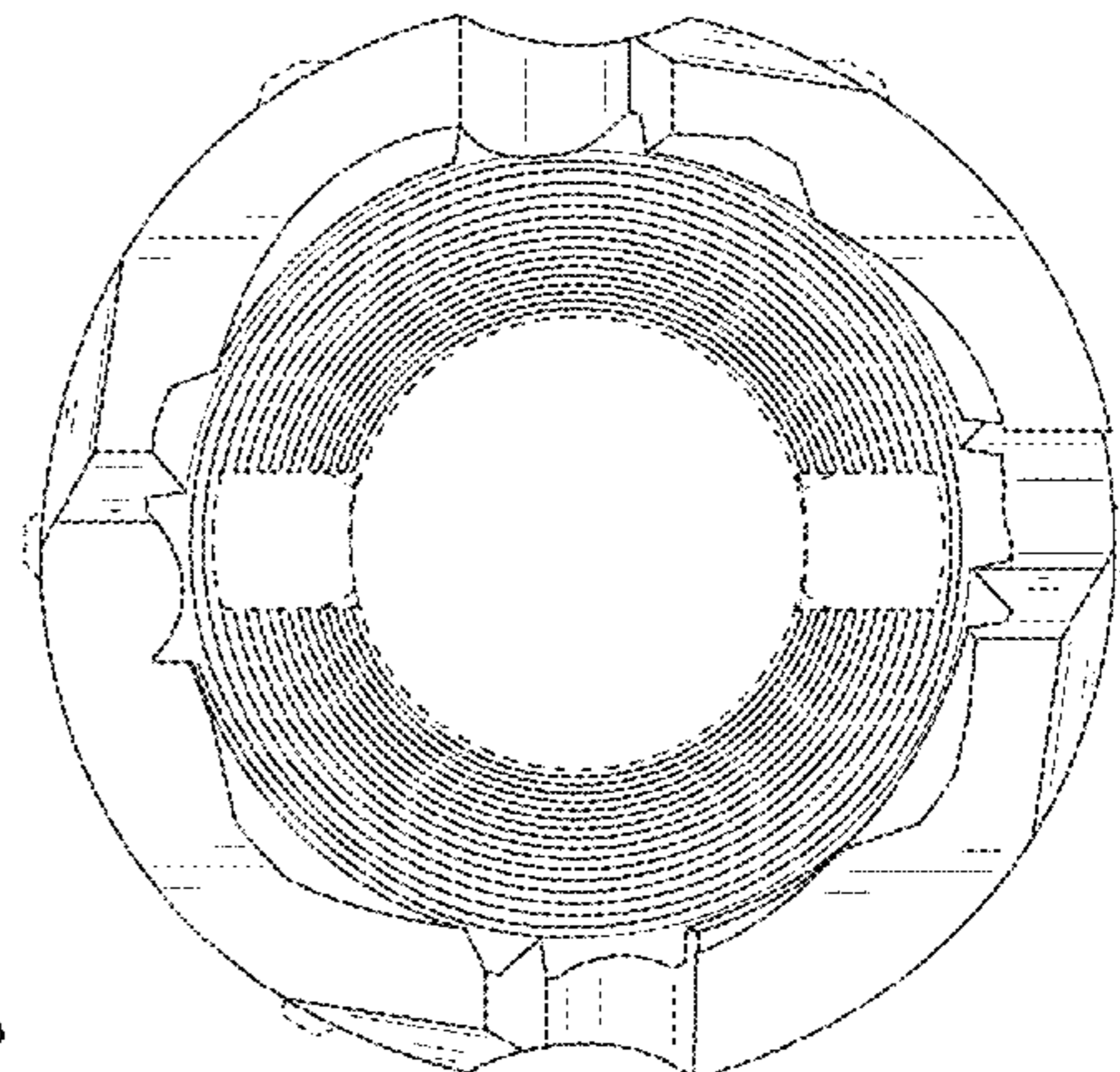
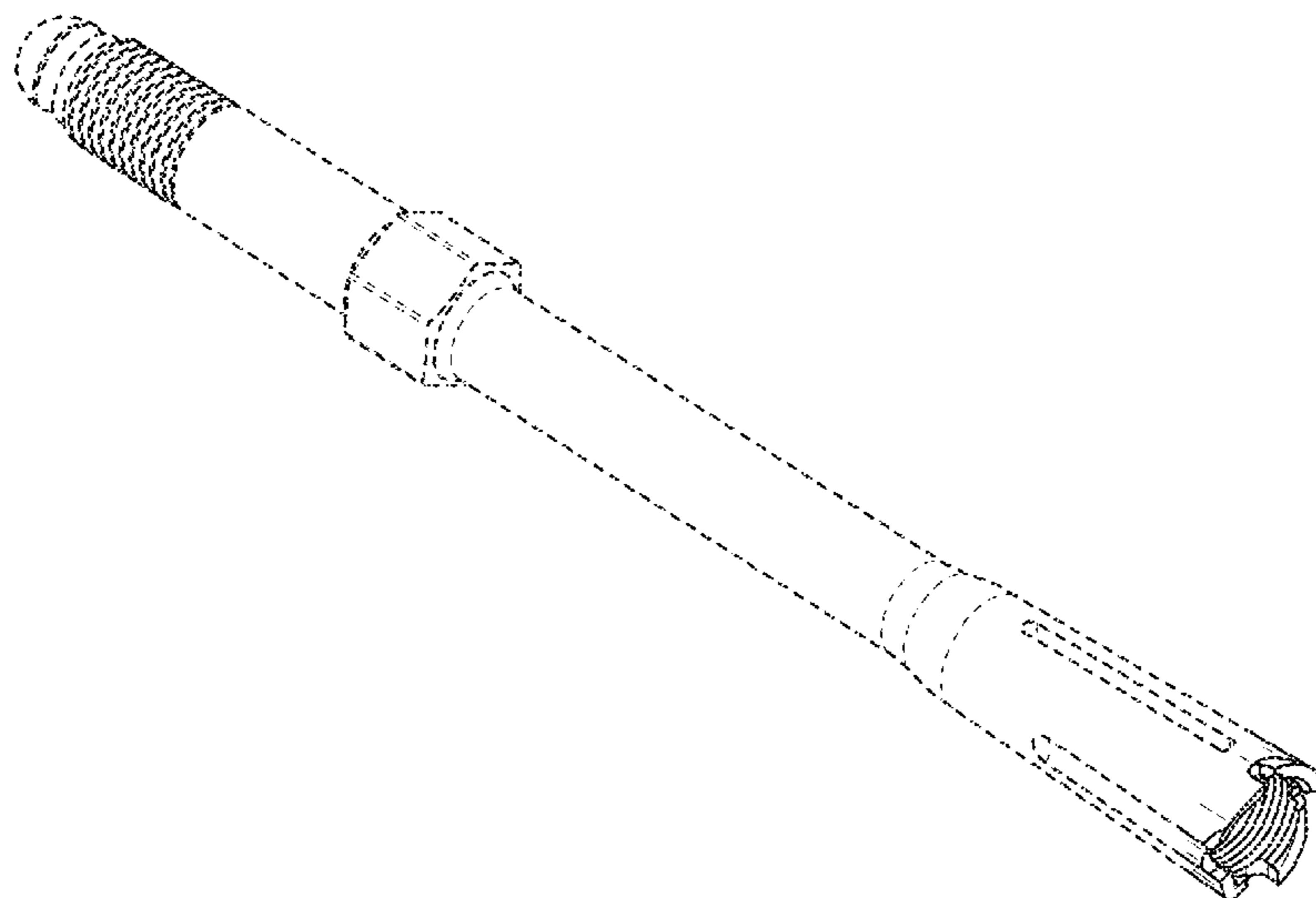
The ornamental design for a nail extractor, as shown and described.

DESCRIPTION

FIG. 1 is a perspective view of a nail extractor in accordance with a first embodiment of the new design;
 FIG. 2 is a left side view of the nail extractor of FIG. 1;
 FIG. 3 is a right side view of the nail extractor of FIG. 1;
 FIG. 4 is an enlarged rear view of the nail extractor of FIG. 1;
 FIG. 5 is an enlarged front view of the nail extractor of FIG. 1;
 FIG. 6 is a top plan view of the nail extractor of FIG. 1;
 FIG. 7 is a bottom plan view of the nail extractor of FIG. 1;
 FIG. 8 is a perspective view of a nail extractor in accordance with a second embodiment of the new design;
 FIG. 9 is a left side view of the nail extractor of FIG. 8;
 FIG. 10 is a right side view of the nail extractor of FIG. 8;
 FIG. 11 is an enlarged rear view of the nail extractor of FIG. 8;
 FIG. 12 is an enlarged front view of the nail extractor of FIG. 8;
 FIG. 13 is a top plan view of the nail extractor of FIG. 8; and,
 FIG. 14 is a bottom plan view of the nail extractor of FIG. 8.

The broken lines in the figures illustrate portions of the nail extractor that form no part of the claimed design.

1 Claim, 8 Drawing Sheets



(56)

References Cited

U.S. PATENT DOCUMENTS

D842,990 S * 3/2019 Amano D24/133
10,463,414 B2 * 11/2019 Naglapura B25B 27/18
2009/0287220 A1 * 11/2009 Kiester A61B 17/92
606/104
2015/0327984 A1 * 11/2015 Arai A61M 25/0136
606/41
2018/0214190 A1 * 8/2018 Erramilli A61B 17/7082
2018/0263664 A1 * 9/2018 Nichols A61B 17/888
2018/0263665 A1 * 9/2018 Yacoub A61B 17/7082
2018/0290271 A1 * 10/2018 Hendrix B25B 13/10

* cited by examiner

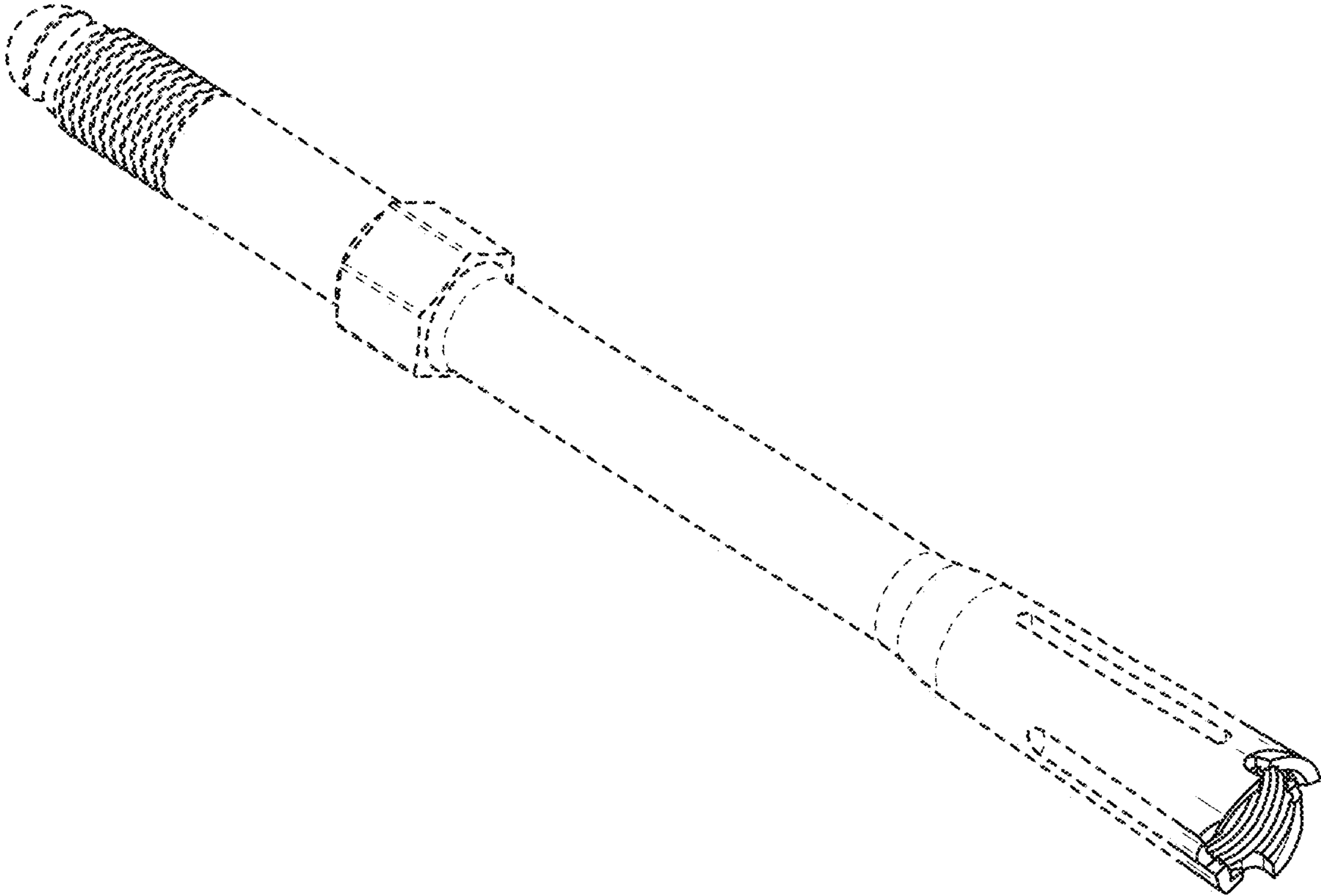


FIG. 1

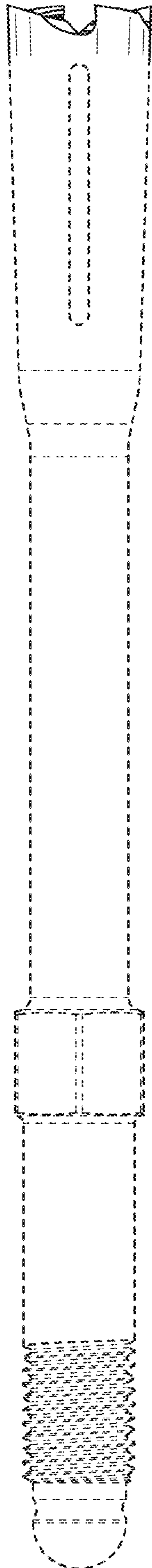


FIG. 2

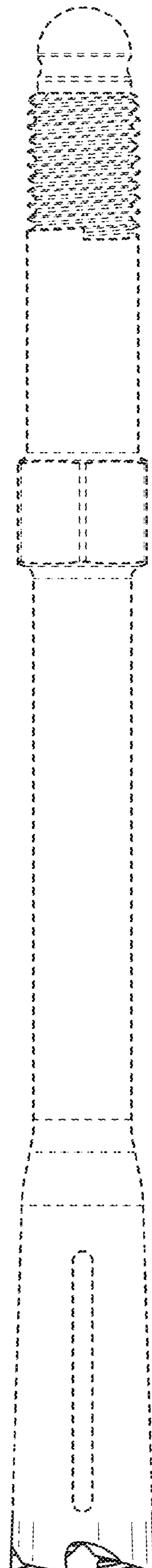


FIG. 3

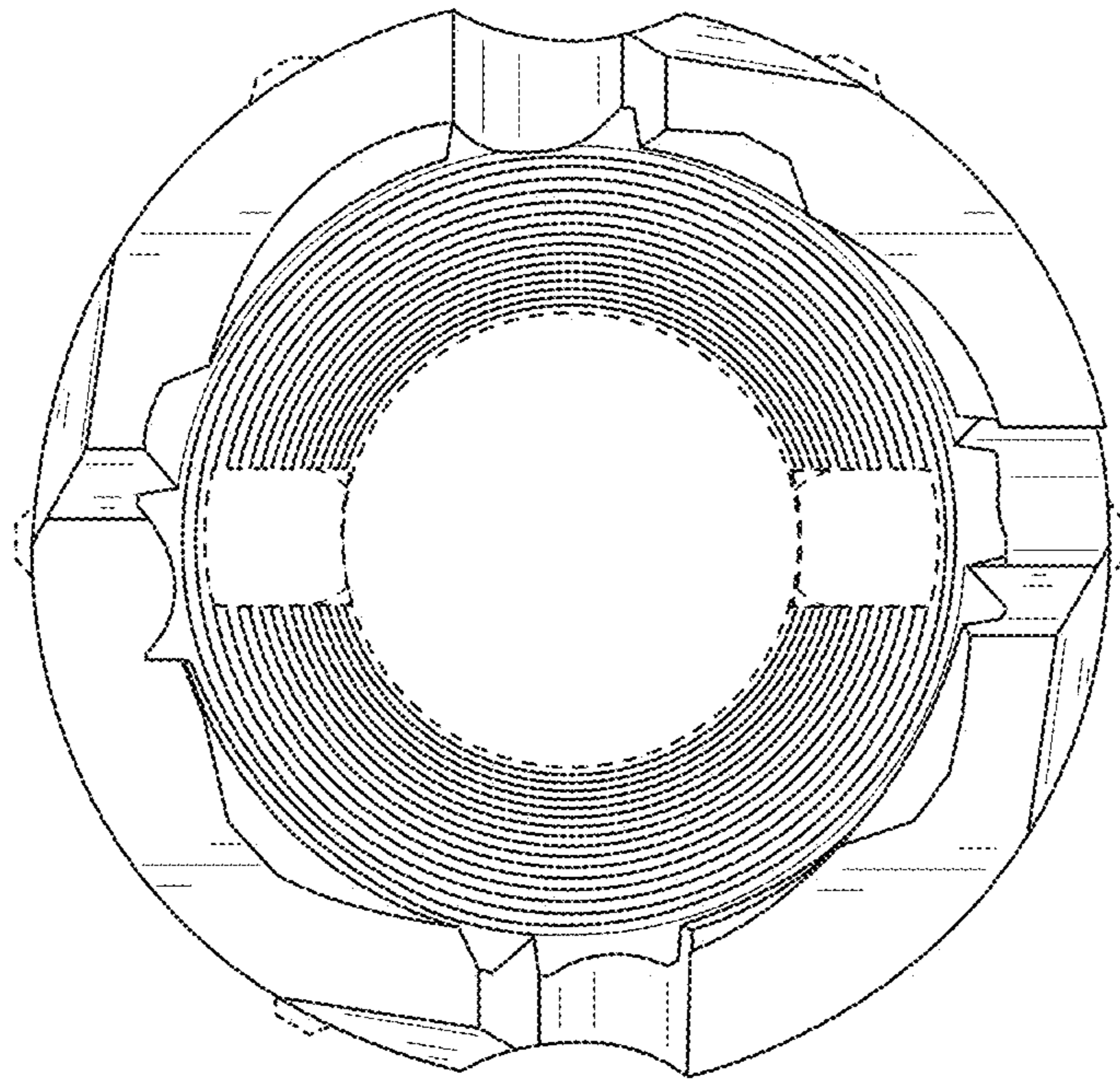


FIG. 4

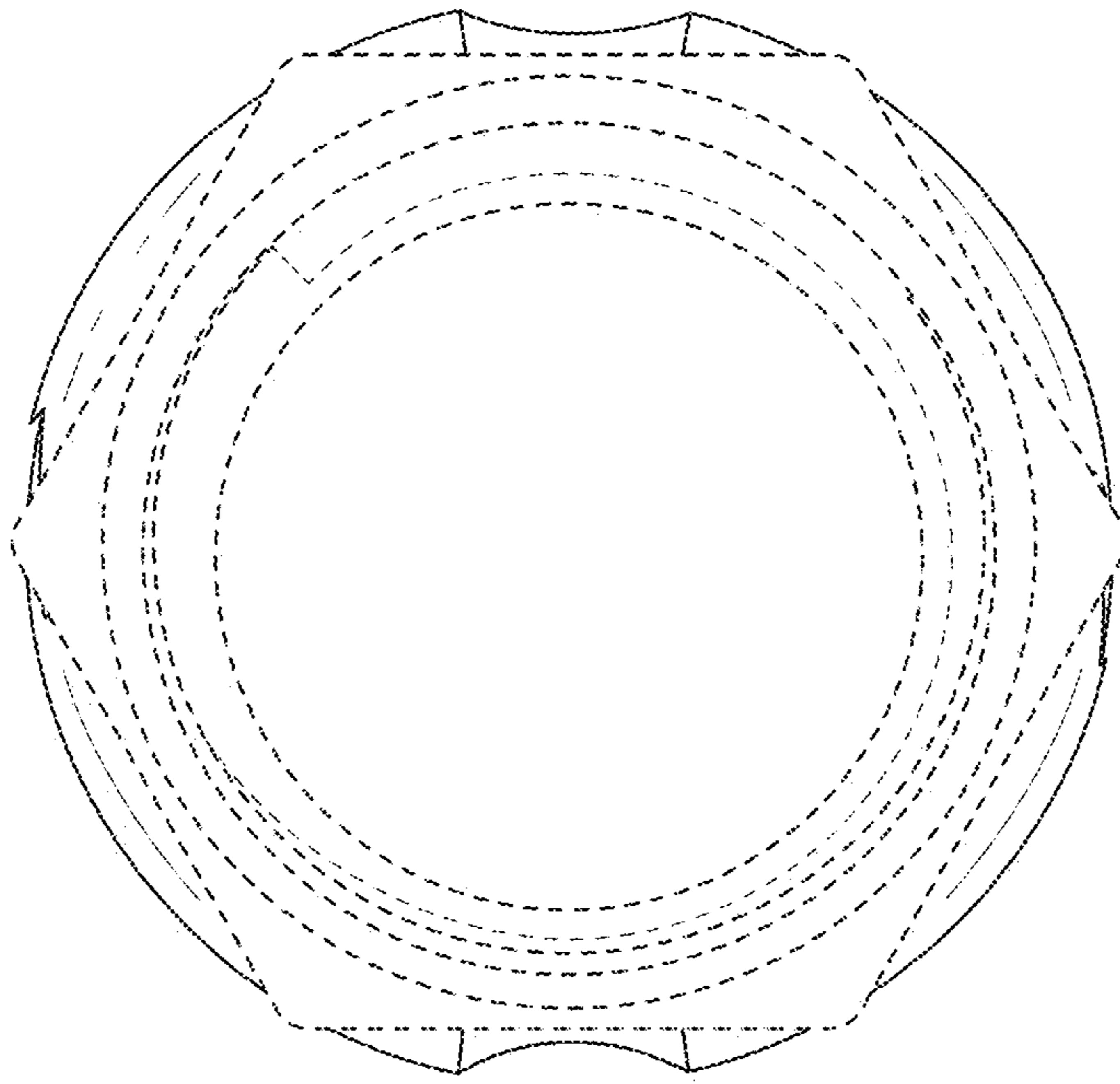


FIG. 5

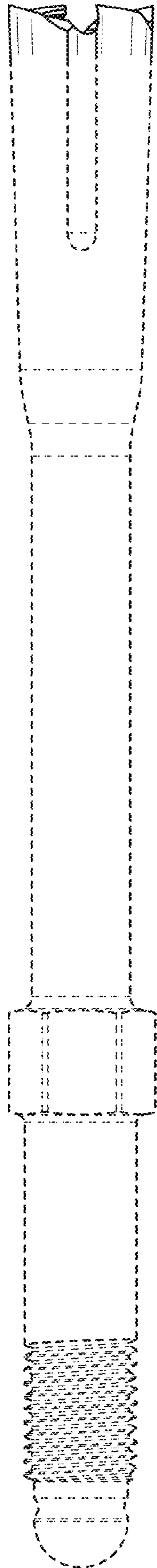


FIG. 6

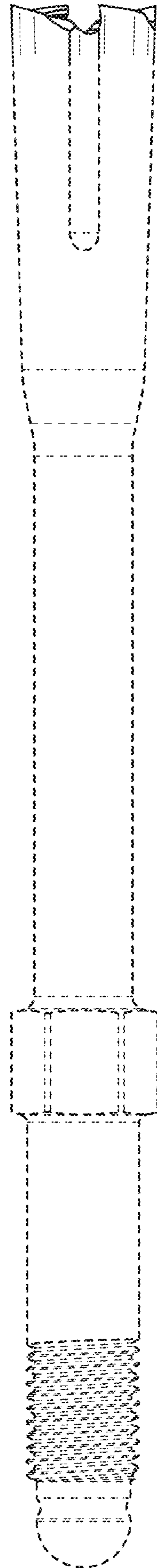


FIG. 7

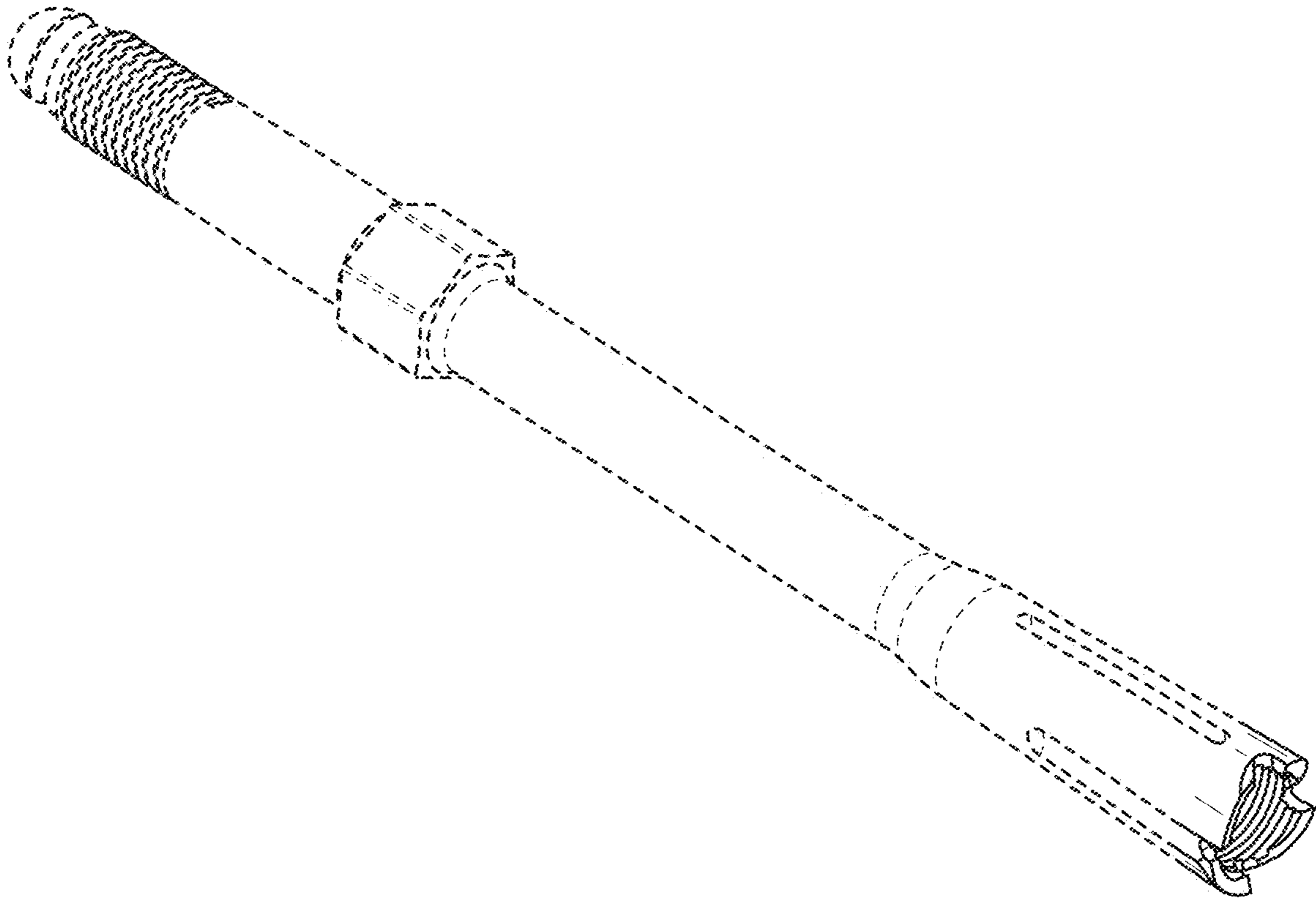


FIG. 8

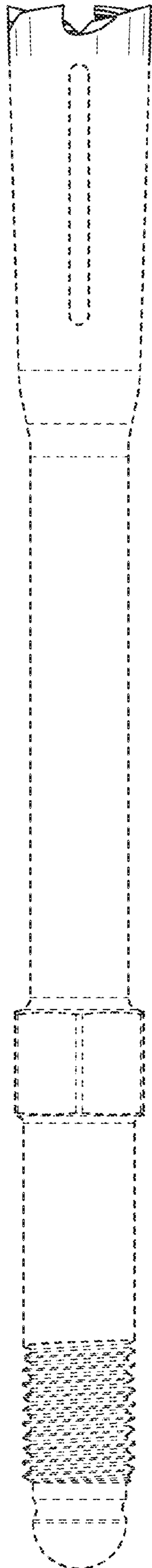


FIG. 9

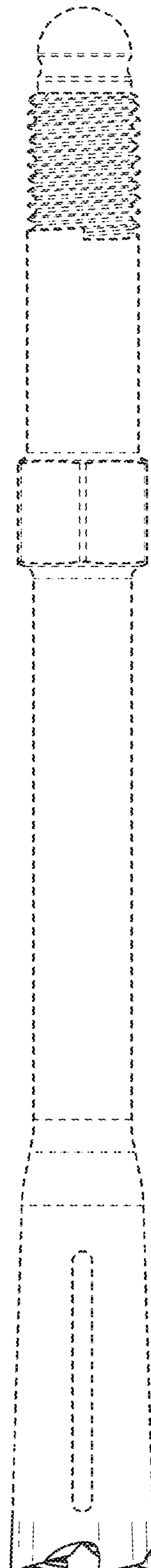


FIG. 10

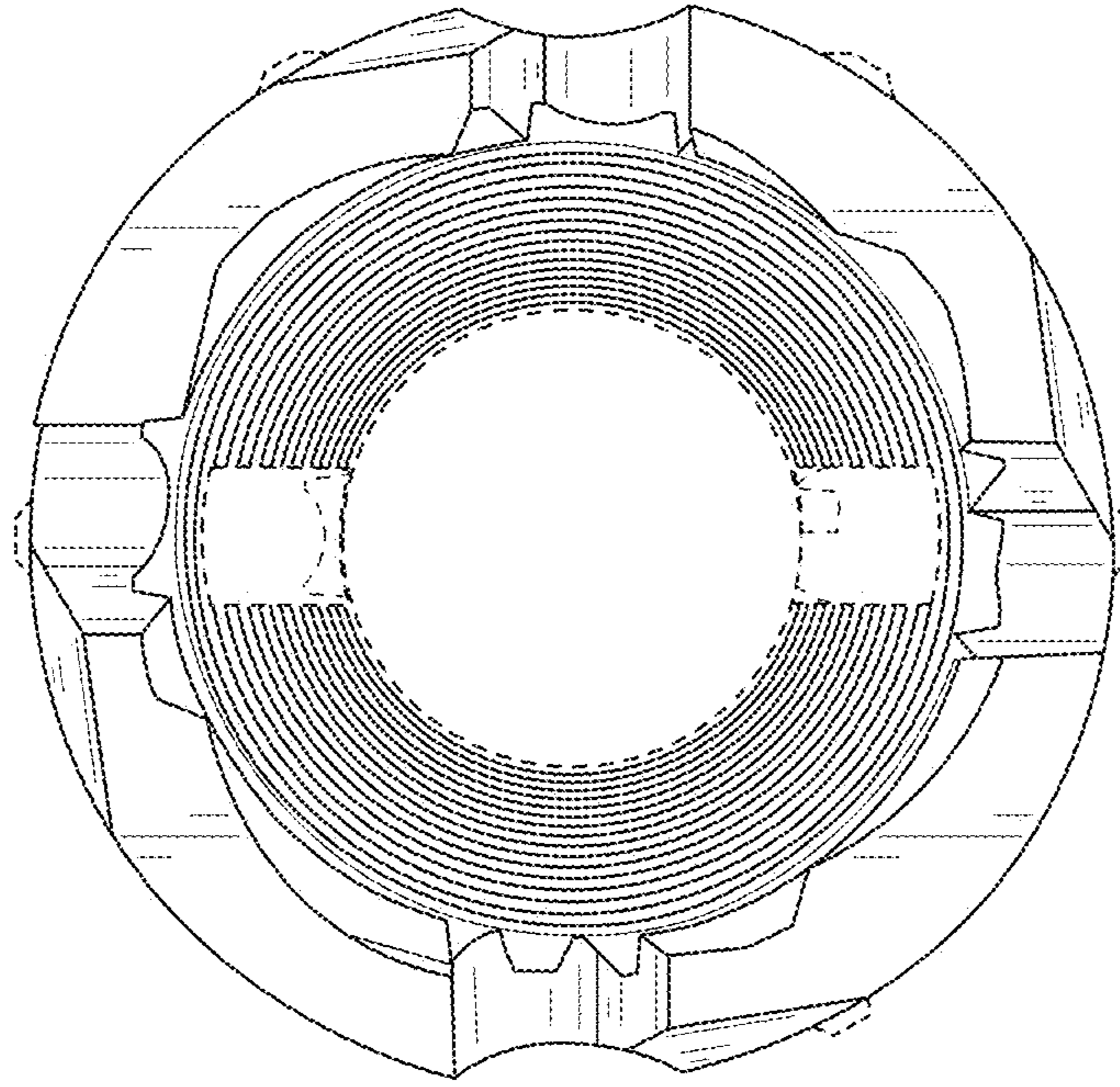


FIG. 11

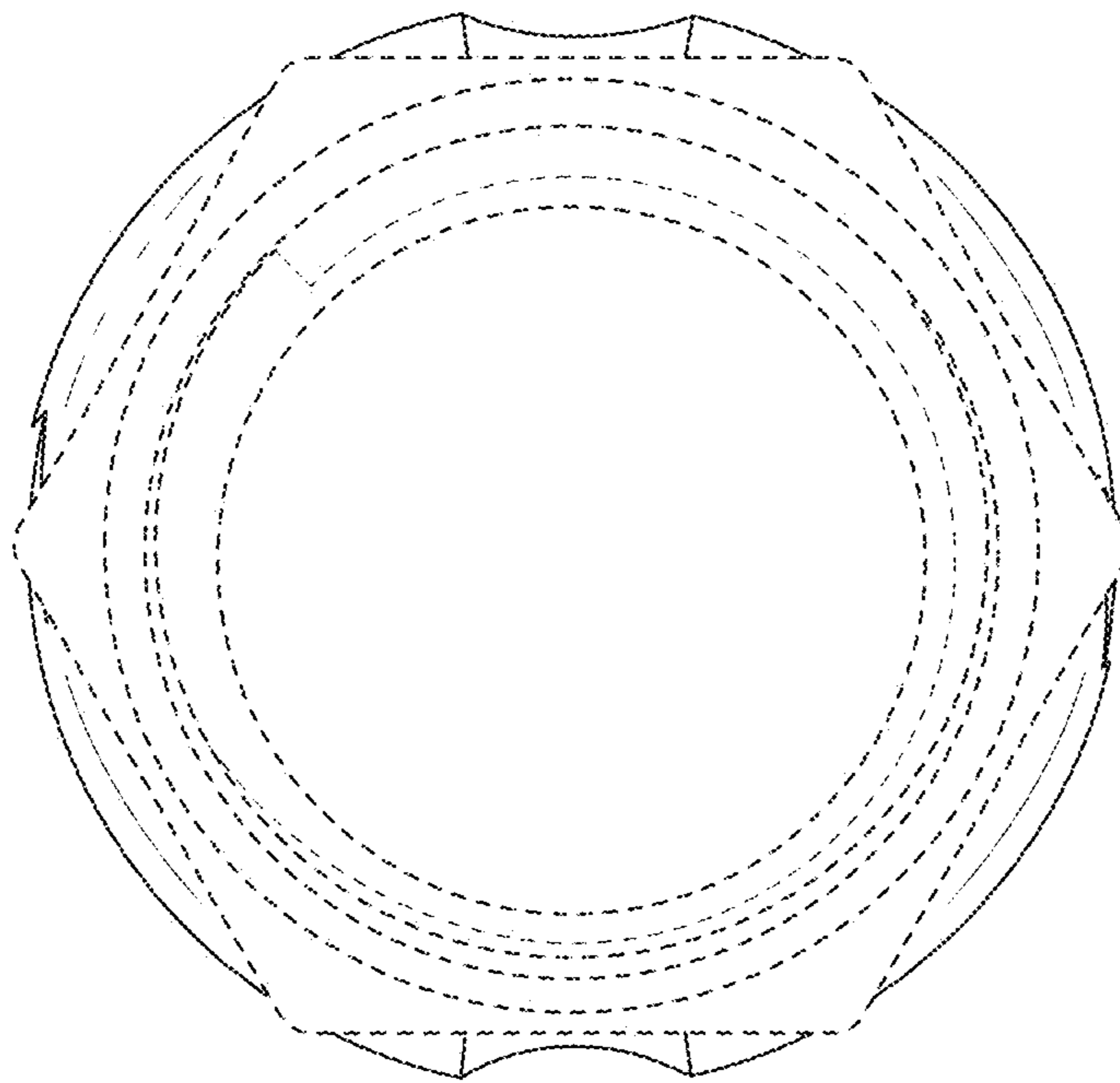


FIG. 12

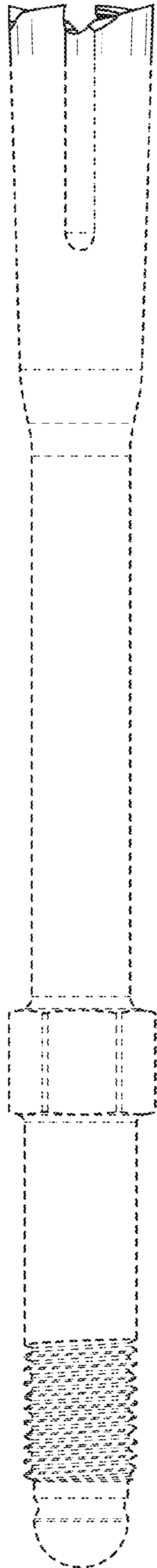


FIG. 13

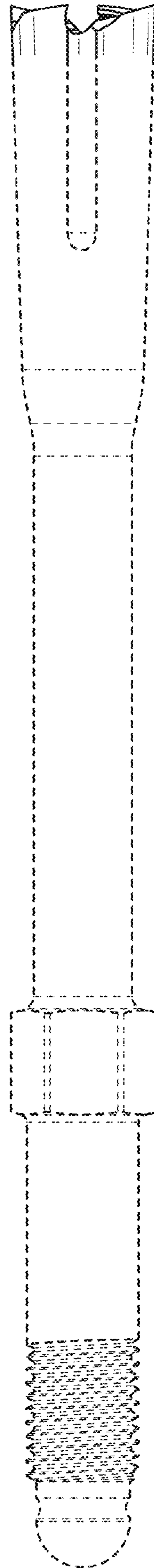


FIG. 14