



US00D950721S

(12) **United States Design Patent**  
**Howes et al.**

(10) **Patent No.:** **US D950,721 S**

(45) **Date of Patent:** **\*\* May 3, 2022**

- (54) **SYRINGE ADAPTOR**
- (71) Applicant: **ALPHA MD GLOBAL LIMITED**,  
Newton Abbot (GB)
- (72) Inventors: **William Howes**, London (GB); **Rupert Critchley**, Epsom (GB); **Clare Henderson**, Epsom (GB)
- (73) Assignee: **ALPHA MD GLOBAL LIMITED**,  
Devon (GB)

D508,995 S *	8/2005	Mitchell	.....	D24/129
8,412,310 B2 *	4/2013	Liu	.....	A61M 5/31501 604/93.01
9,067,023 B2 *	6/2015	Bertocci	.....	A61M 5/3148
D812,746 S *	3/2018	Umemura	.....	D24/138
D812,748 S *	3/2018	Funakoshi	.....	D24/138
D836,771 S *	12/2018	Tseng	.....	D24/112
D838,368 S *	1/2019	Rifani	.....	D24/133
10,279,114 B2 *	5/2019	Latiolais	.....	A61M 5/3129
D884,160 S *	5/2020	Adams	.....	D24/112
D885,562 S *	5/2020	Sato	.....	D24/114
D938,026 S *	12/2021	Pendleton	.....	D24/133

\* cited by examiner

(\*\*) Term: **15 Years**

(21) Appl. No.: **29/760,762**

(22) Filed: **Dec. 3, 2020**

(51) **LOC (13) Cl.** ..... **24-02**

(52) **U.S. Cl.**  
USPC ..... **D24/130**

(58) **Field of Classification Search**  
USPC ..... D24/112–114, 108, 133, 130, 127, 186;  
606/181, 185; 604/264, 272, 187, 181,  
604/184, 227  
CPC ..... A61M 5/178; A61M 3/00; A61M 5/20;  
A61M 5/31; A61M 5/3146; A61M  
5/3129; A61M 5/3148; A61M 5/315  
See application file for complete search history.

(56) **References Cited**

**U.S. PATENT DOCUMENTS**

4,925,449 A *	5/1990	Saez	.....	A61M 5/315 604/209
5,356,382 A *	10/1994	Picha	.....	A61B 17/3415 606/198

*Primary Examiner* — David G Muller

(74) *Attorney, Agent, or Firm* — Patrick Lavender; The Patent Shoppe

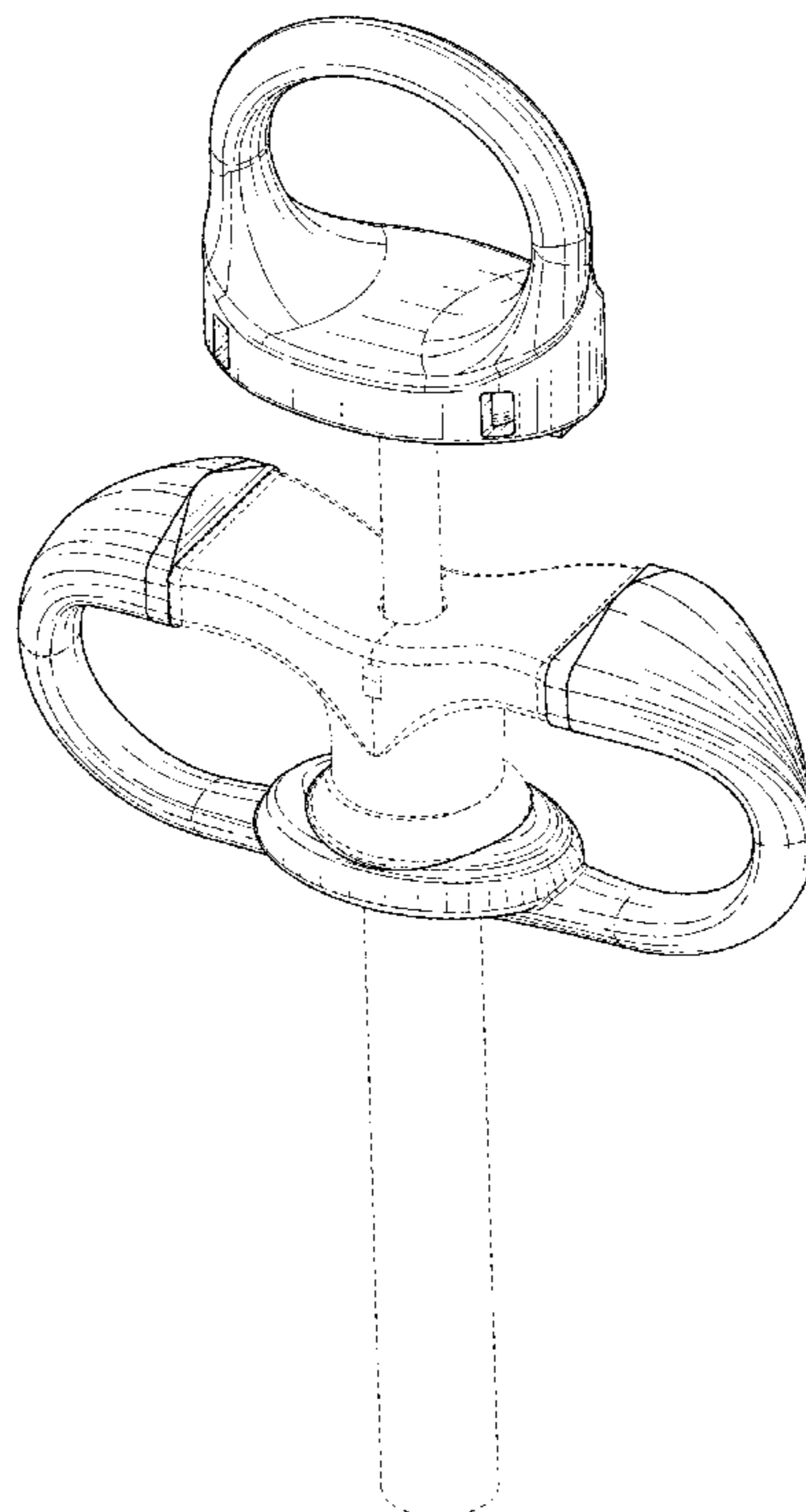
(57) **CLAIM**

We claim the ornamental design for a syringe adaptor, as shown and described.

**DESCRIPTION**

FIG. 1 is a top perspective view of the syringe adaptor; FIG. 2 is a bottom perspective view thereof; FIG. 3 is a front view thereof, the back view being identical; FIG. 4 is a left-side view thereof, the right-side view being identical; FIG. 5 is a top view thereof; FIG. 6 is a bottom view thereof; FIG. 7 is a top exploded perspective view thereof; and, FIG. 8 is a bottom exploded perspective view thereof. The broken lines in the figures show portions of the syringe adaptor that form no part of the claimed design.

**1 Claim, 7 Drawing Sheets**



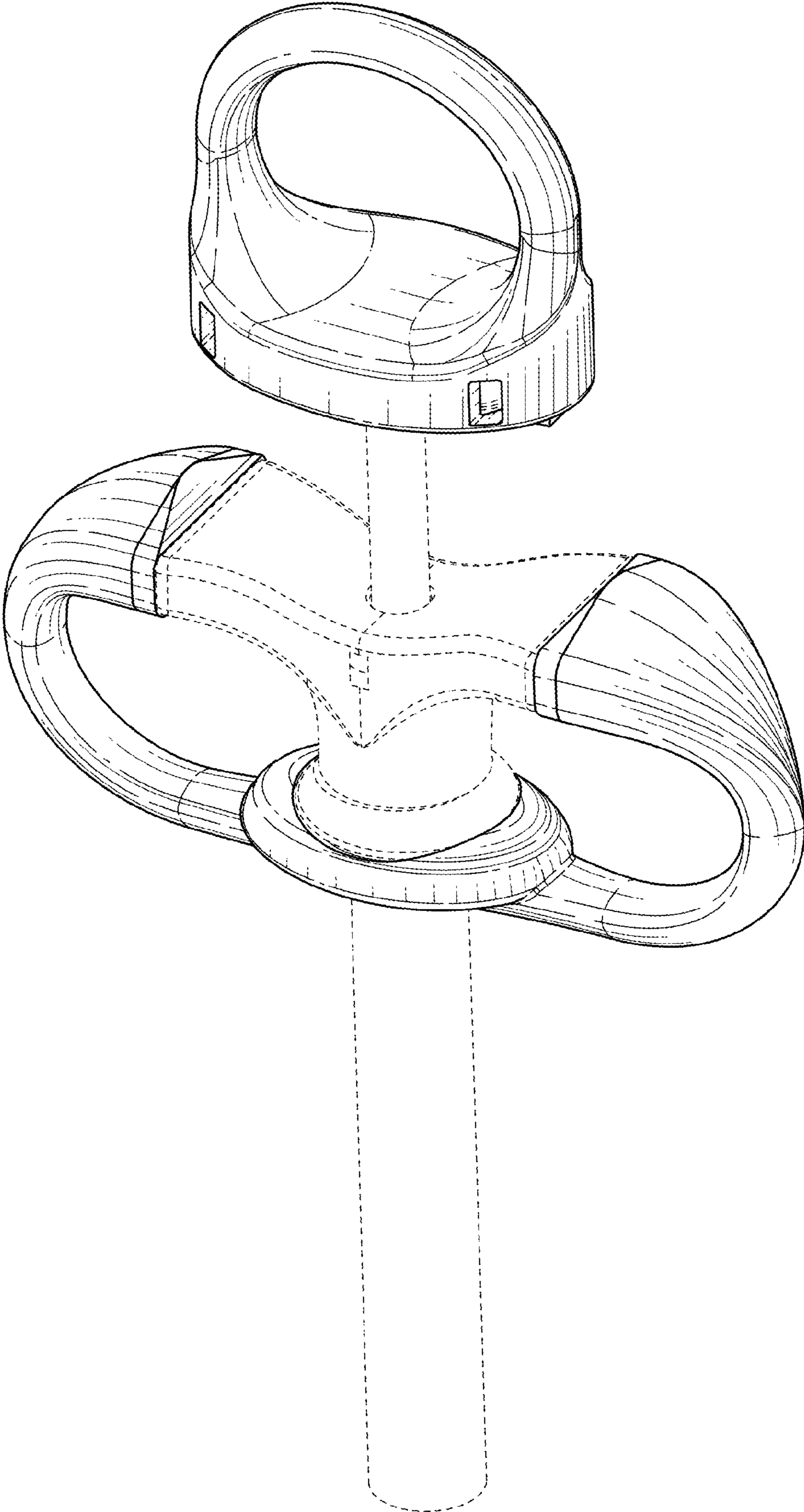


FIG. 1

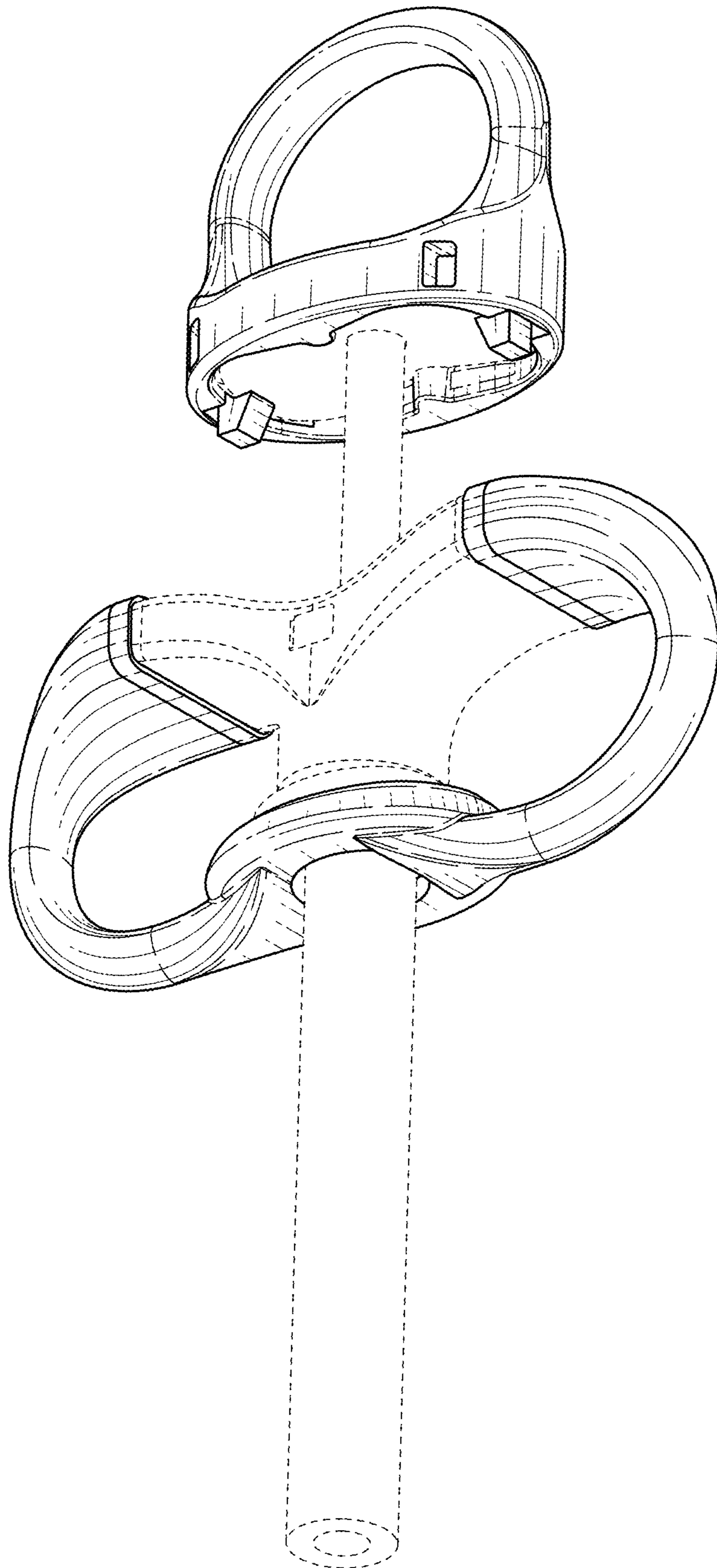


FIG. 2

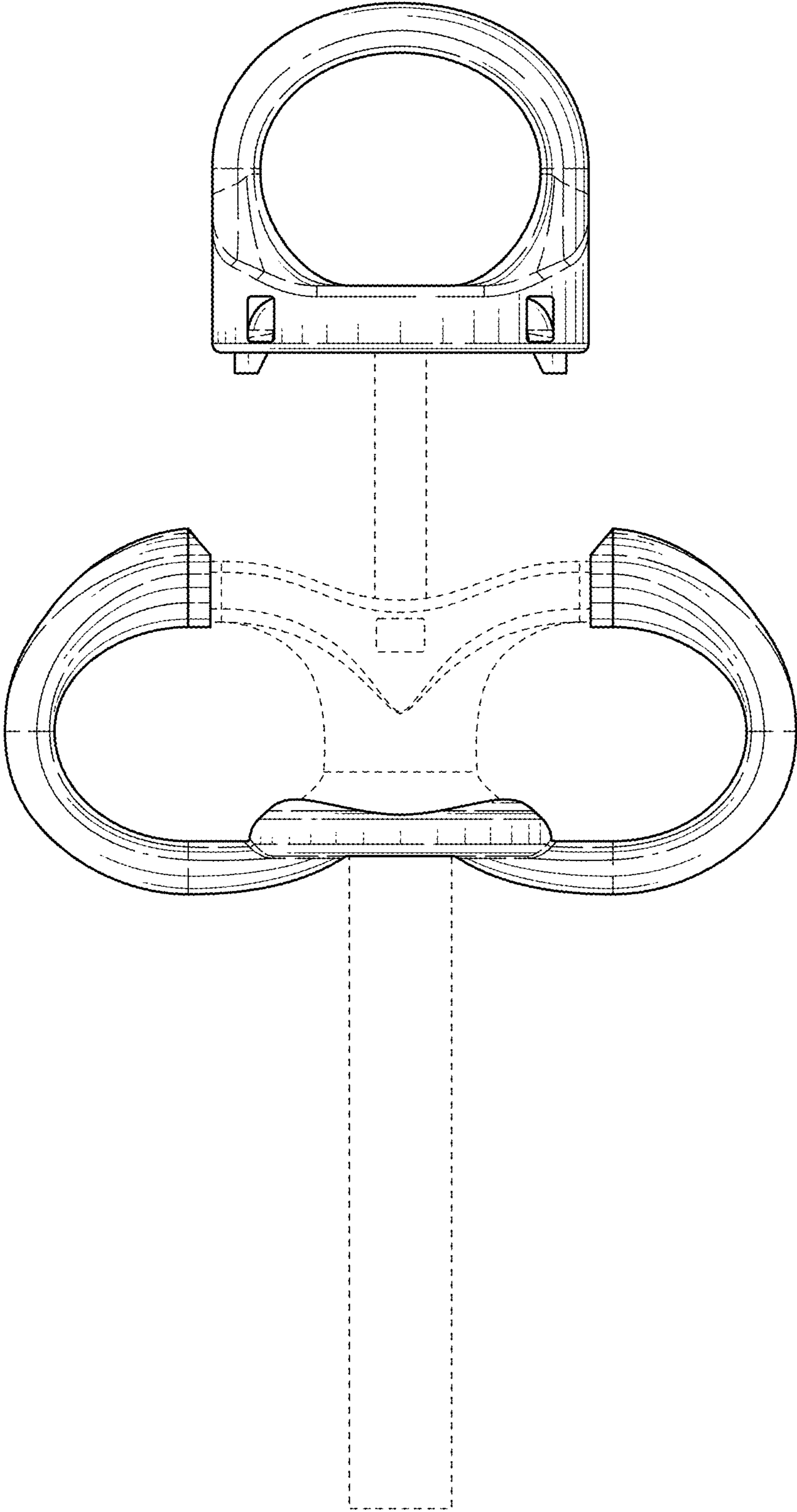


FIG. 3

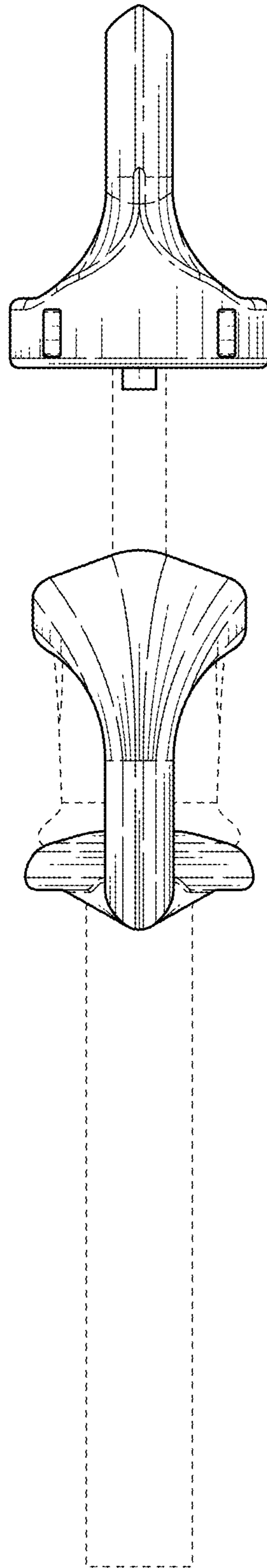


FIG. 4

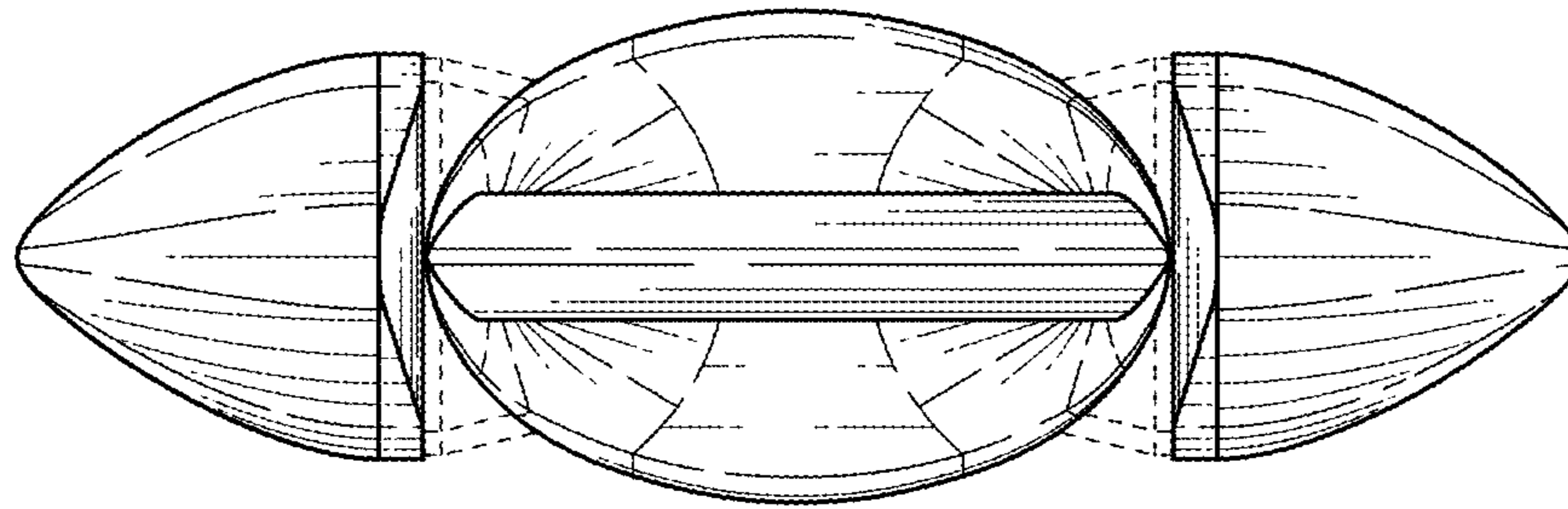


FIG. 5

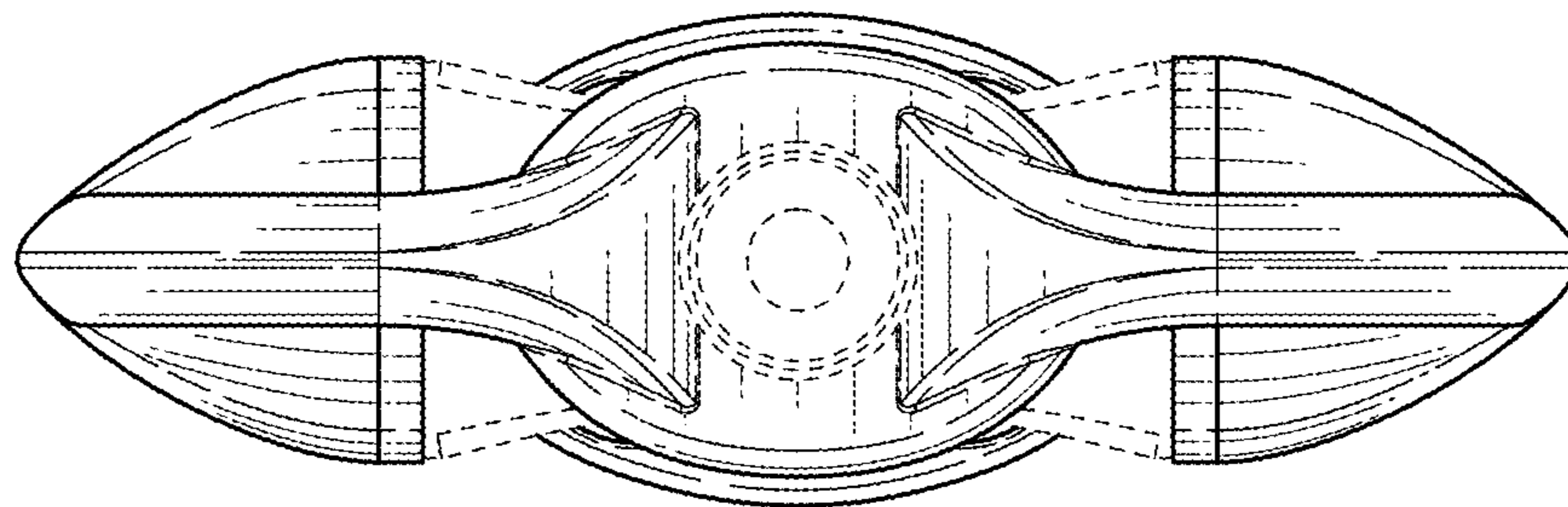


FIG. 6

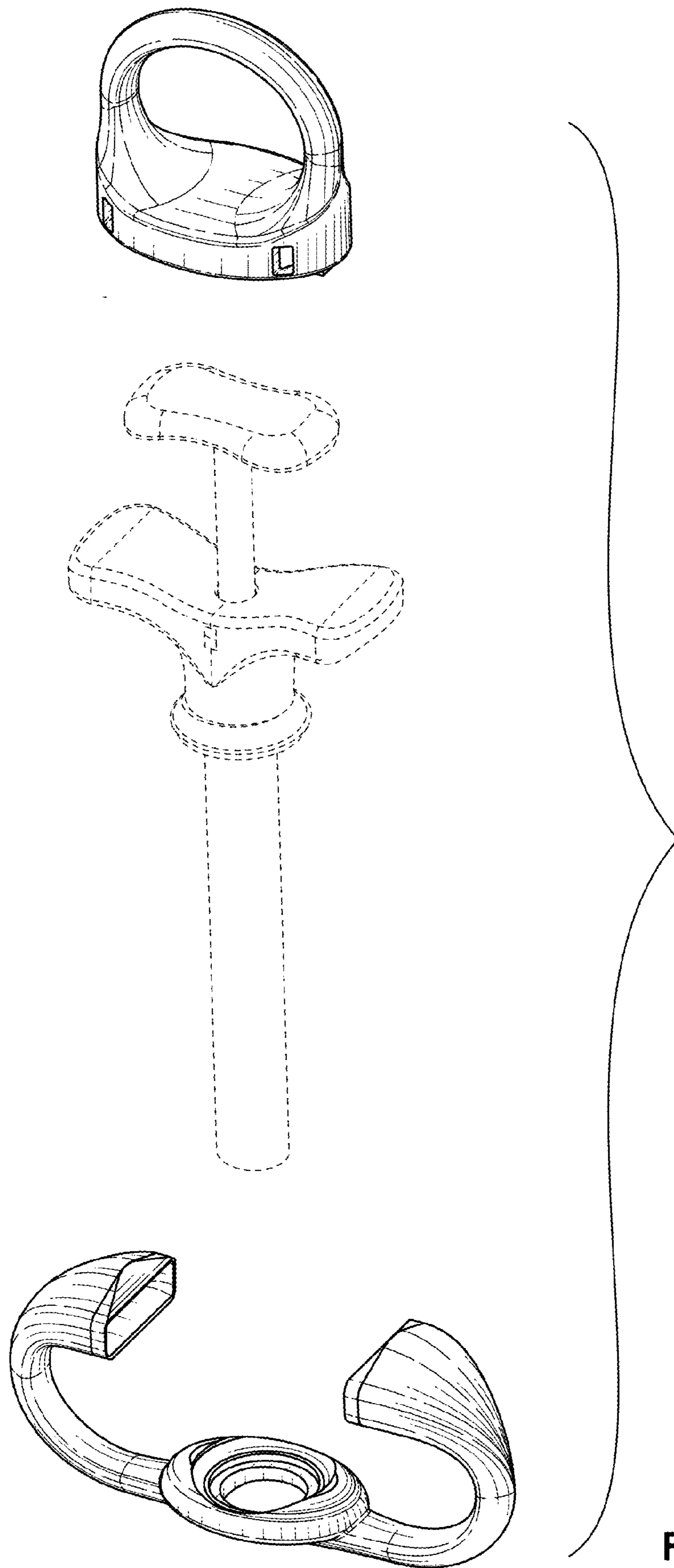


FIG. 7

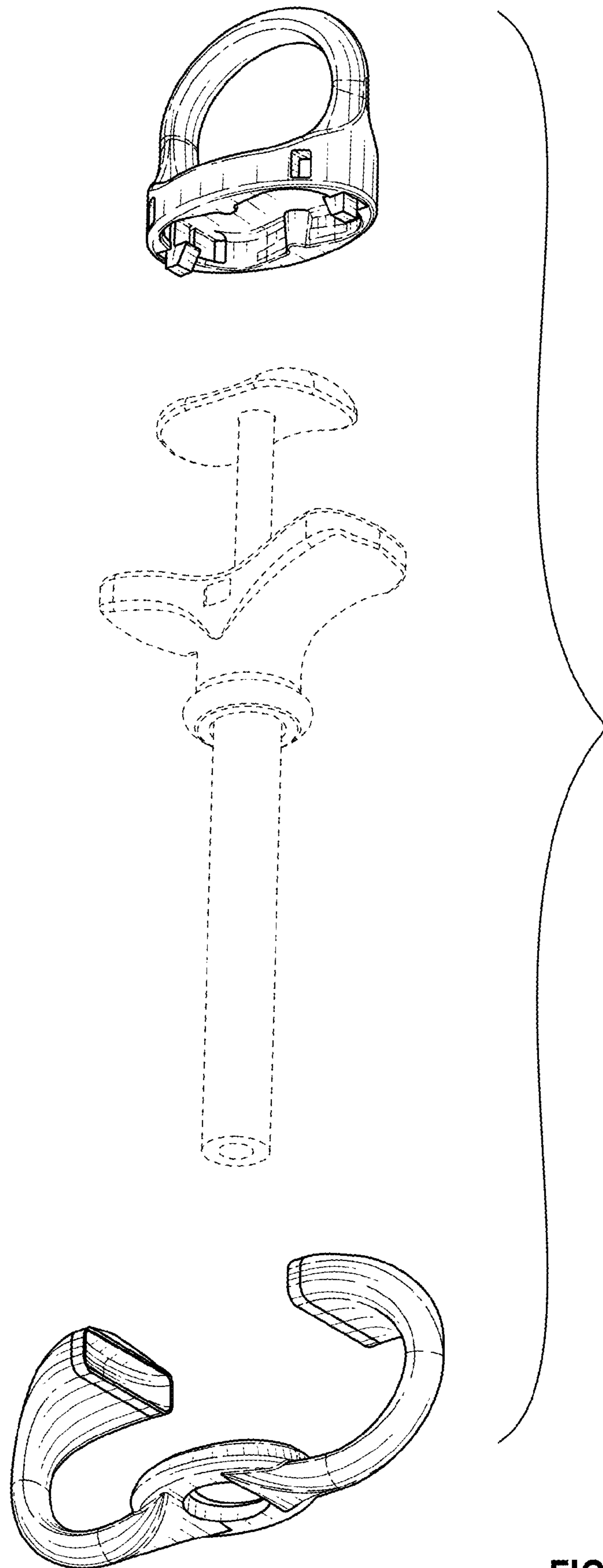


FIG. 8