



US00D950720S

(12) **United States Design Patent**
Prais et al.

(10) **Patent No.:** **US D950,720 S**
(45) **Date of Patent:** **** May 3, 2022**

- (54) **MEDICAL STOPPER**
- (71) Applicant: **Becton, Dickinson and Company**,
Franklin Lakes, NJ (US)
- (72) Inventors: **Alfred W. Prais**, Hewitt, NJ (US);
Nestor Rodriguez San Juan, Hamburg,
NJ (US)
- (73) Assignee: **Becton, Dickinson and Company**,
Franklin Lakes, NJ (US)

8,742,032 B2 * 6/2014 Abe C09D 183/14
604/265
D750,775 S * 3/2016 Carrel D24/130
D807,114 S * 1/2018 Niles D7/392.1
D815,278 S * 4/2018 Pak D24/130
D819,443 S * 6/2018 Martinez Carregui D9/439
D855,799 S * 8/2019 Gonzalez D24/127
10,857,343 B2 * 12/2020 Di Ubaldi A61M 39/1011
D907,998 S * 1/2021 Michel D9/439
D908,212 S * 1/2021 Taylor D24/127
D914,876 S * 3/2021 Yabe D9/453
D921,165 S * 6/2021 Chen D23/260

(**) Term: **15 Years**

* cited by examiner

(21) Appl. No.: **29/759,251**

Primary Examiner — David G Muller

(22) Filed: **Nov. 20, 2020**

(74) *Attorney, Agent, or Firm* — The Webb Law Firm

(51) **LOC (13) Cl.** **24-02**

(52) **U.S. Cl.**
USPC **D24/130**

(58) **Field of Classification Search**
USPC D24/112–114, 108, 133, 130, 127, 186;
606/181, 185; 604/264, 272, 187, 181,
604/184, 227
CPC A61M 5/178; A61M 3/00; A61M 5/20;
A61M 5/31; A61M 5/3146; A61M
5/3129; A61M 5/3148; A61M 5/315
See application file for complete search history.

(57) **CLAIM**

The ornamental design for a medical stopper, as shown and described.

DESCRIPTION

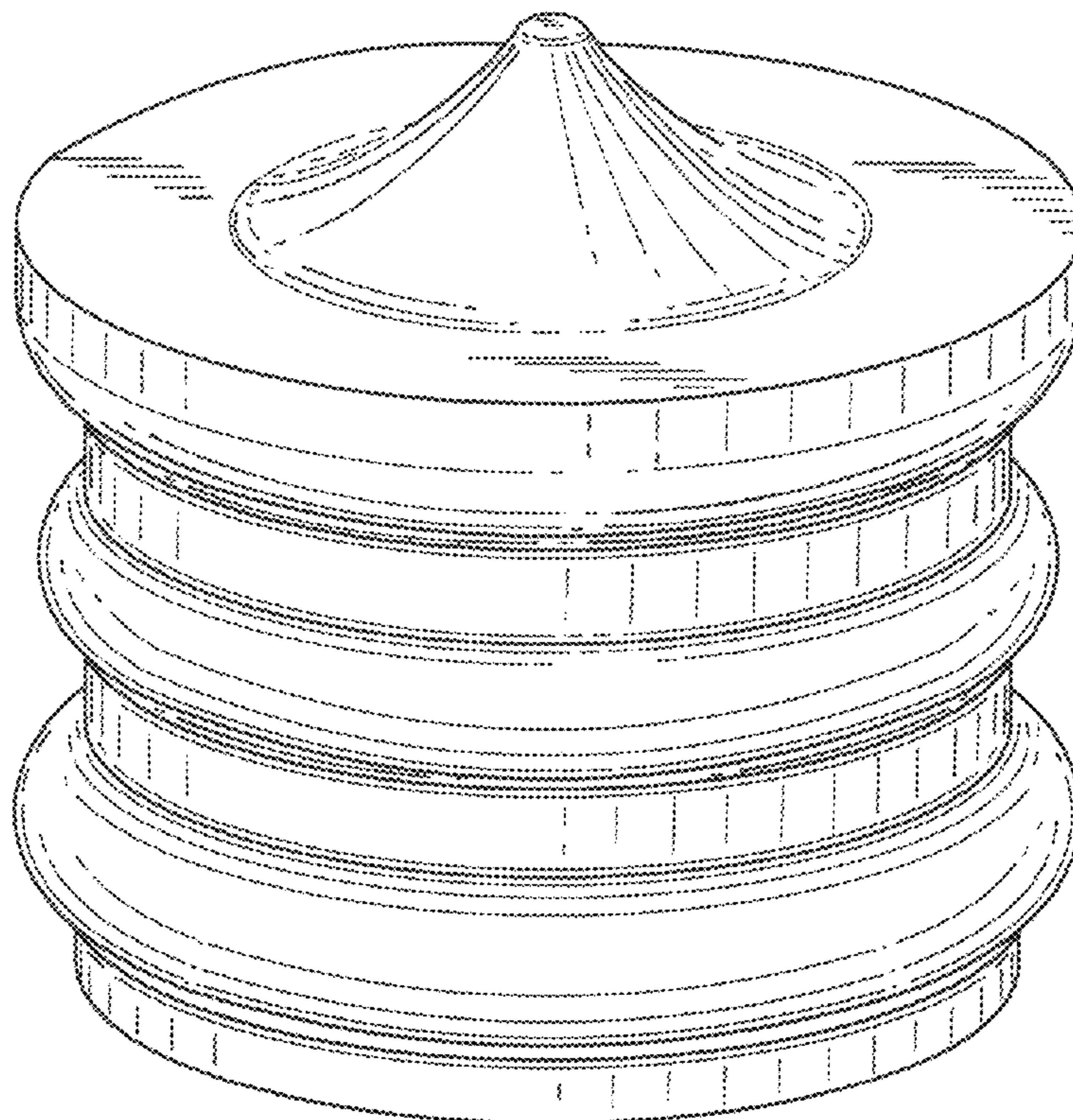
FIG. 1 is a perspective front view of a medical stopper, showing our new design;
FIG. 2 is a perspective bottom view thereof;
FIG. 3 is an alternative perspective bottom view thereof;
FIG. 4 is a top view thereof;
FIG. 5 is a right side view thereof, with the left side view being a mirror image thereof;
FIG. 6 is a front view thereof, with the back view being a mirror image thereof; and,
FIG. 7 is a bottom view thereof.

(56) **References Cited**

U.S. PATENT DOCUMENTS

D289,796 S * 5/1987 Larkin D9/439
D451,805 S * 12/2001 Mace D9/440

1 Claim, 5 Drawing Sheets



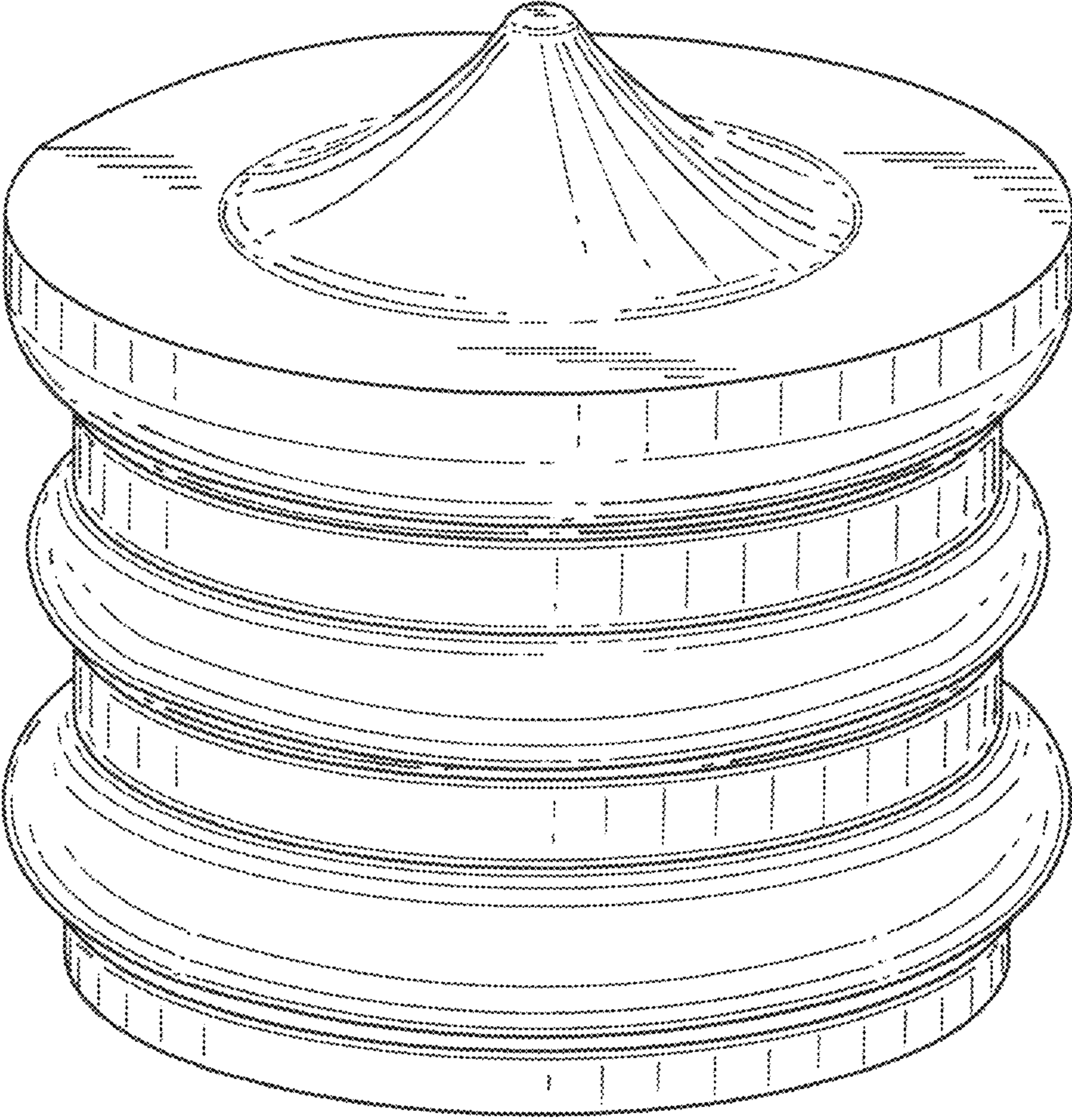


FIG. 1

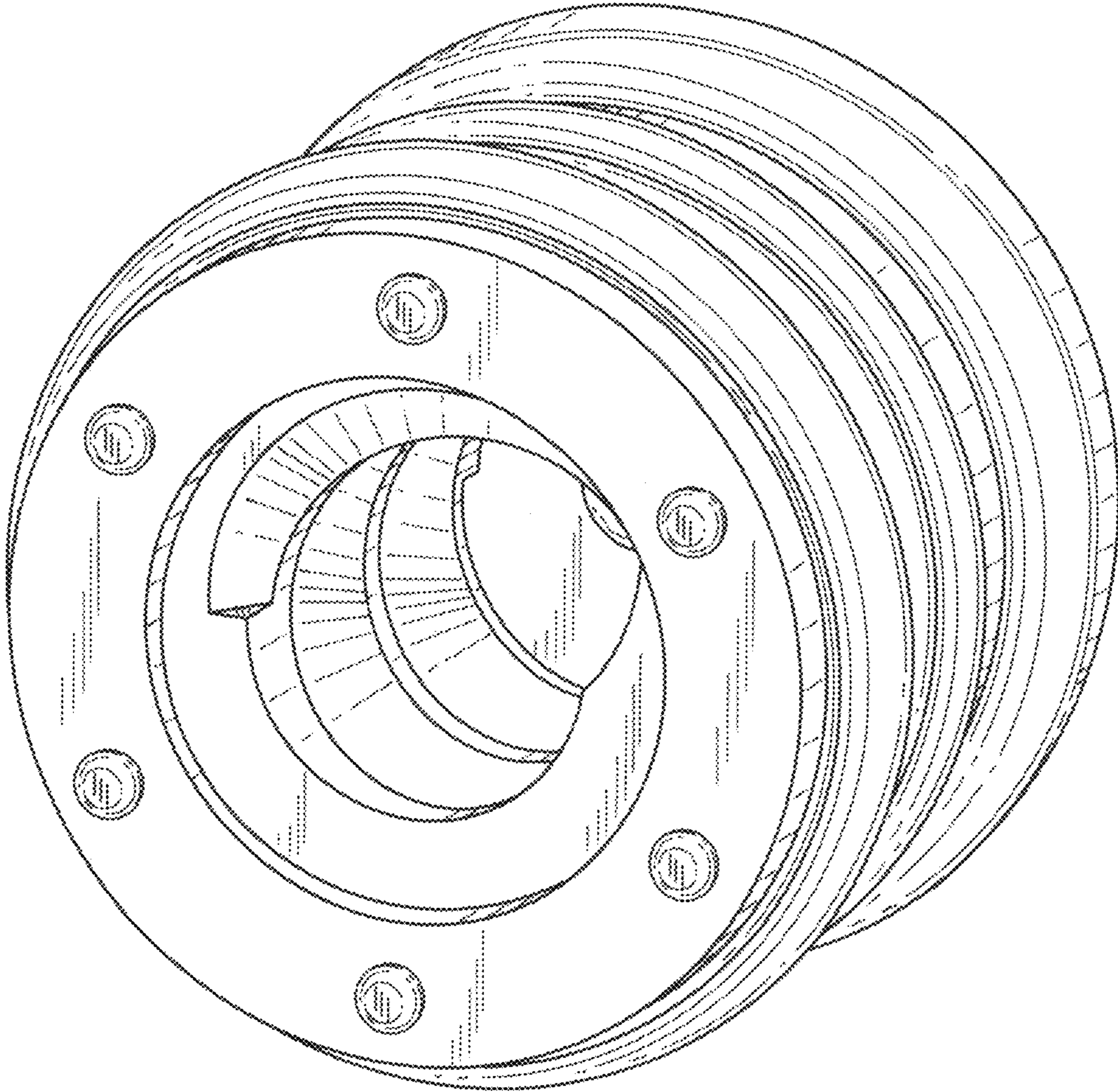


FIG.2

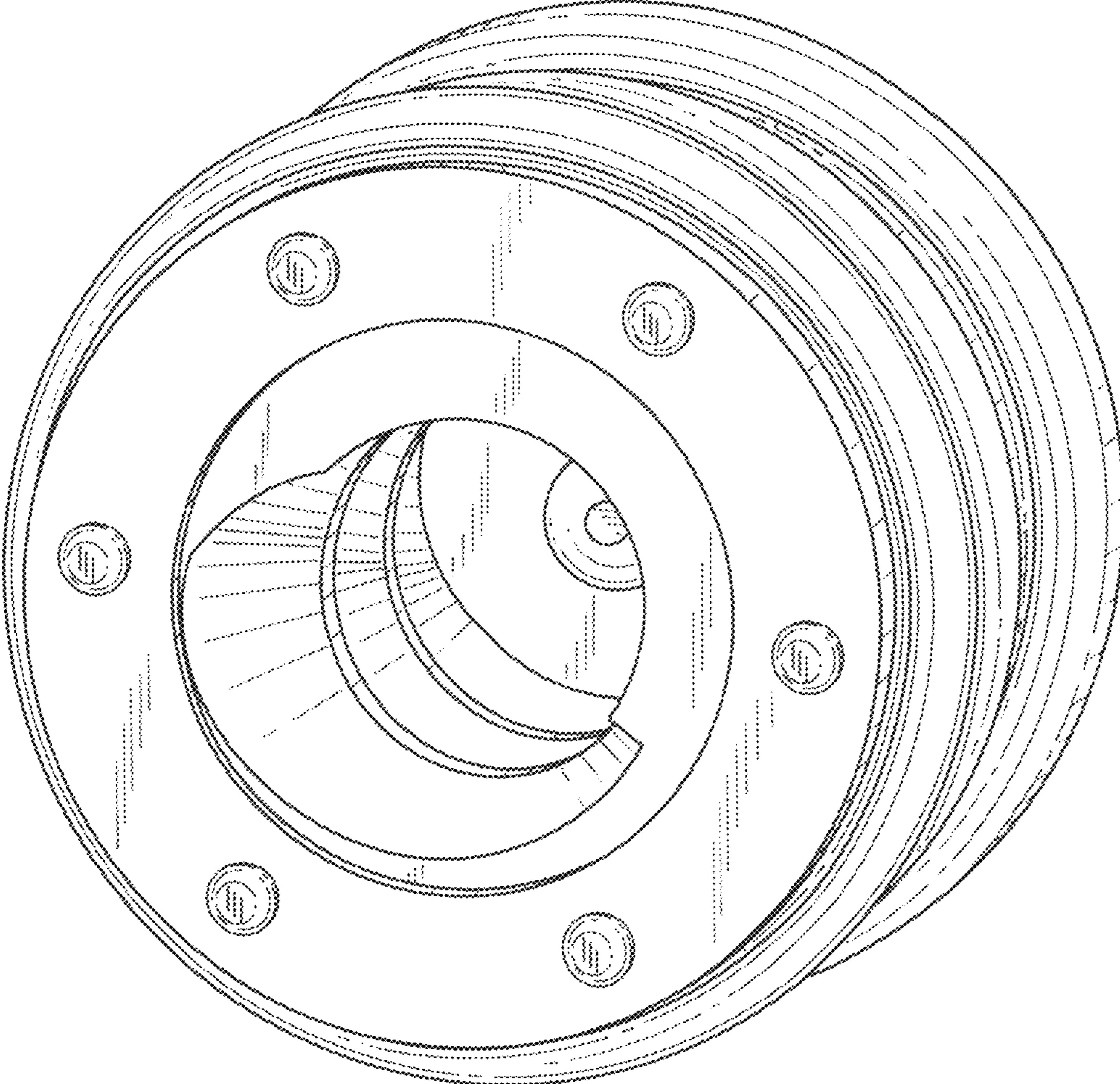


FIG.3

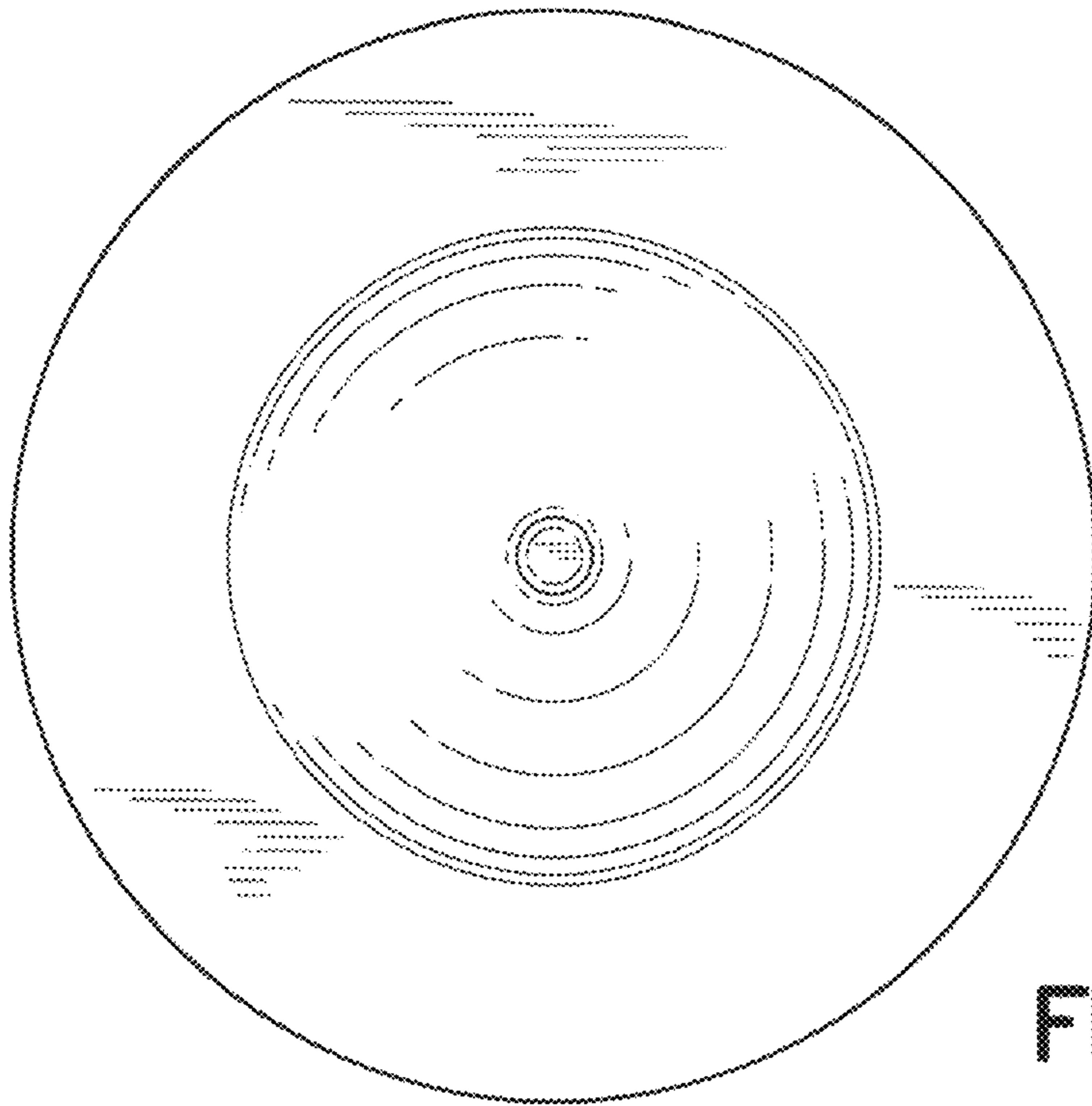


FIG. 4

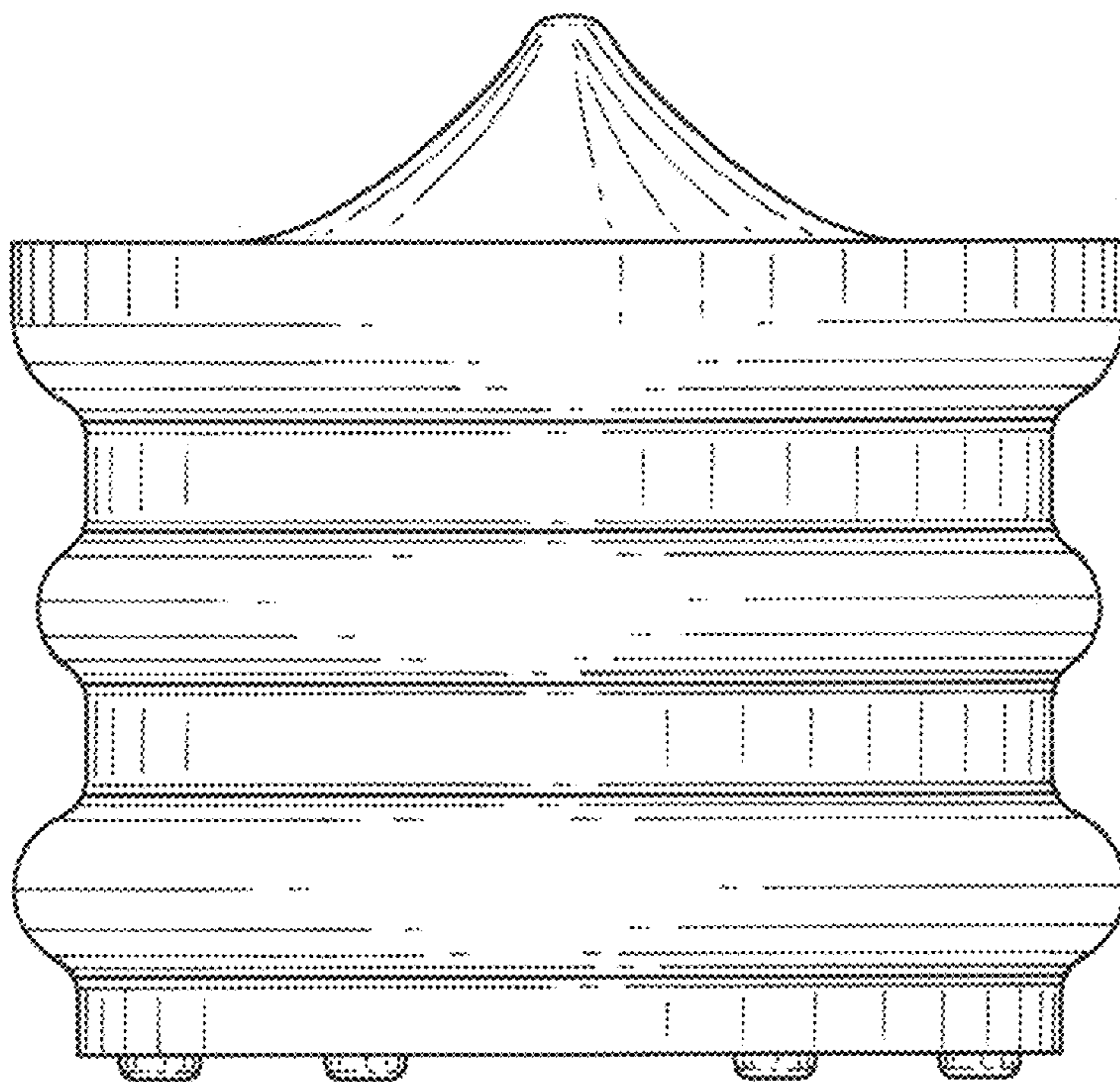


FIG. 5

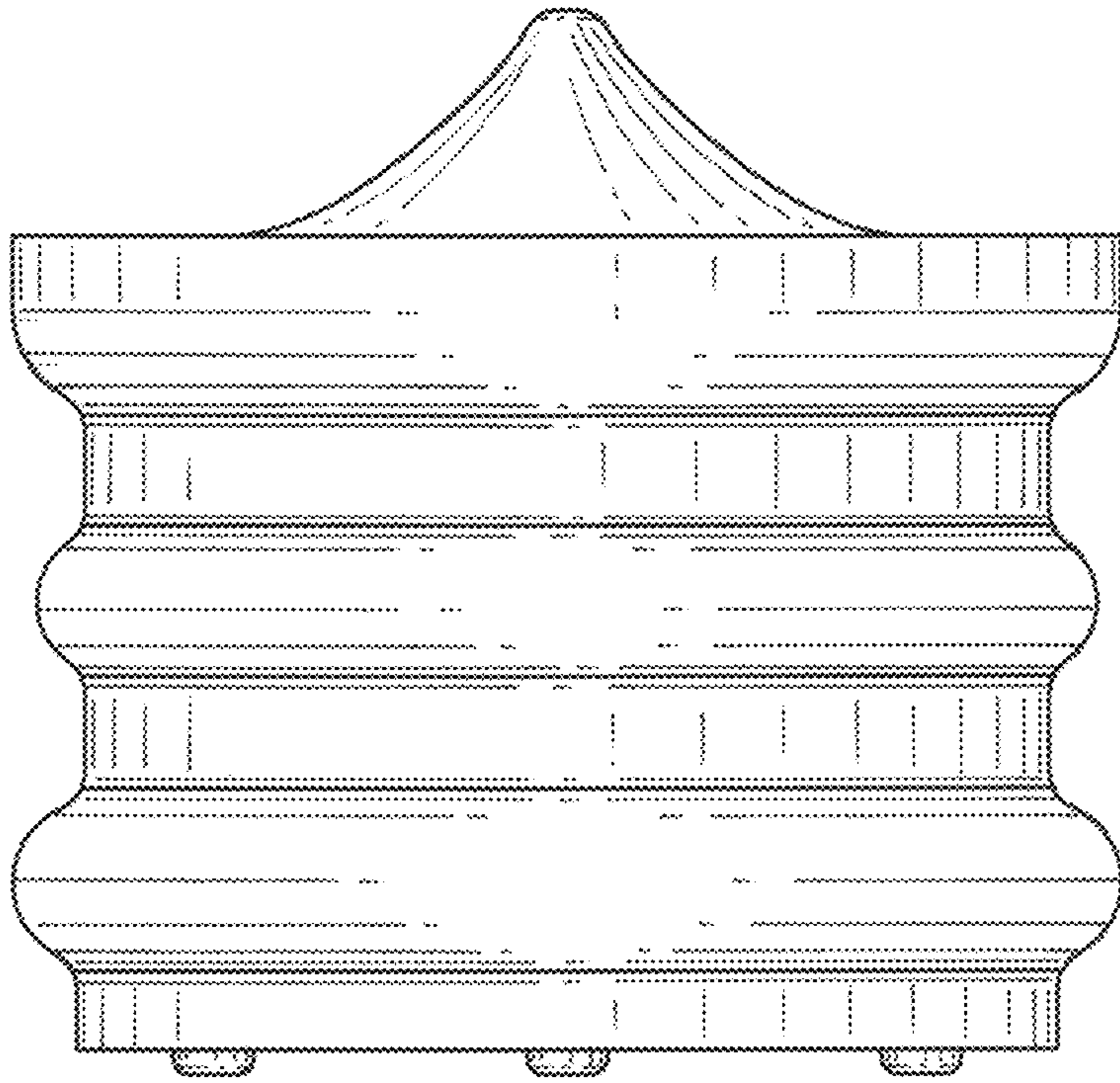


FIG. 6

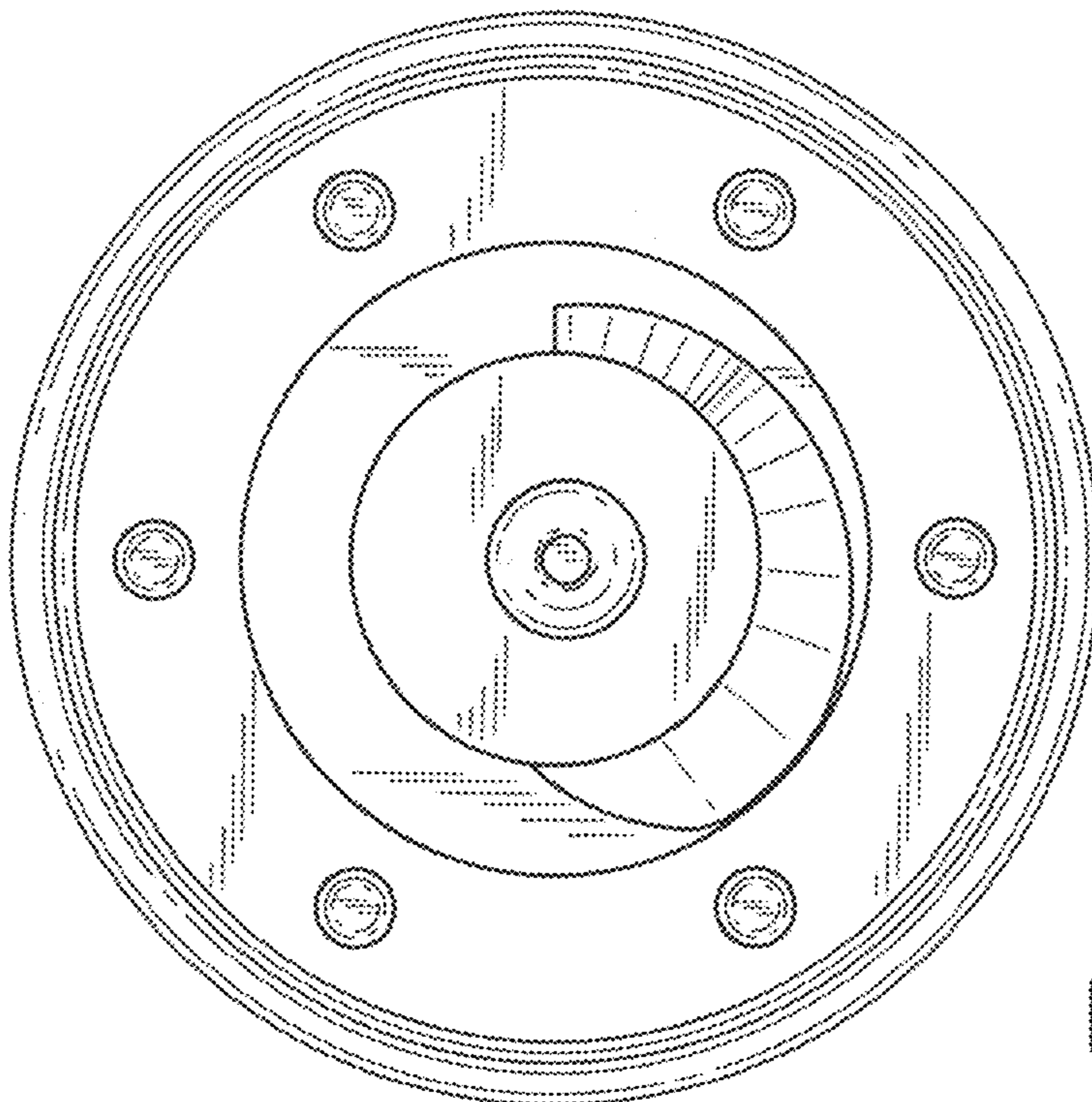


FIG. 7