



US00D950719S

(12) **United States Design Patent** (10) **Patent No.:** **US D950,719 S**
Moore et al. (45) **Date of Patent:** **** May 3, 2022**

(54) **TISSUE LIGATION DEVICE**
(71) Applicant: **Boston Scientific Scimed, Inc.**, Maple Grove, MN (US)

8,591,525 B2 11/2013 Ikeda
D710,992 S * 8/2014 Dubuc D24/113
D718,436 S * 11/2014 Redol D24/113
(Continued)

(72) Inventors: **Kyle P. Moore**, Alpharetta, GA (US);
William D. Webb, II, San Francisco, CA (US); **Quinn Fitzgerald**, San Francisco, CA (US); **Julian Gregory**, San Francisco, CA (US)

FOREIGN PATENT DOCUMENTS

EP 1147744 A2 10/2001
WO 2016134368 A2 8/2016

(73) Assignee: **Boston Scientific Scimed, Inc.**, Maple Grove, MN (US)

OTHER PUBLICATIONS

High Quality Single Use Anorectal Ligation Device for Surgical . . . Jiangsu Guanchuang Medical Tech Co., [Post date unknown], [Site seen Dec. 14, 2021], Seen at URL: <https://m.made-in-china.com/product/High-Quality-Single-Use-Anorectal-Ligation-Device-for-Surgical-Mixed-Hemorrhoid-Treatment-1931858082.html> (Year: 2021).*

(**) Term: **15 Years**

(Continued)

(21) Appl. No.: **29/727,655**

Primary Examiner — Natasha Vujcic
Assistant Examiner — Gilbert B Ford
(74) *Attorney, Agent, or Firm* — Seager, Tufte & Wickhem LLP

(22) Filed: **Mar. 12, 2020**

(51) **LOC (13) Cl.** **24-02**

(52) **U.S. Cl.**
USPC **D24/130**

(58) **Field of Classification Search**
USPC D24/108, 112–114, 130, 133, 127, 186
CPC ... A61B 17/12013; A61B 2017/12018; A61M 5/20; A61M 5/31; A61M 5/3129; A61M 5/3148; A61M 5/3146

(57) **CLAIM**
The ornamental design for a tissue ligation device, as shown and described.

See application file for complete search history.

DESCRIPTION

(56) **References Cited**

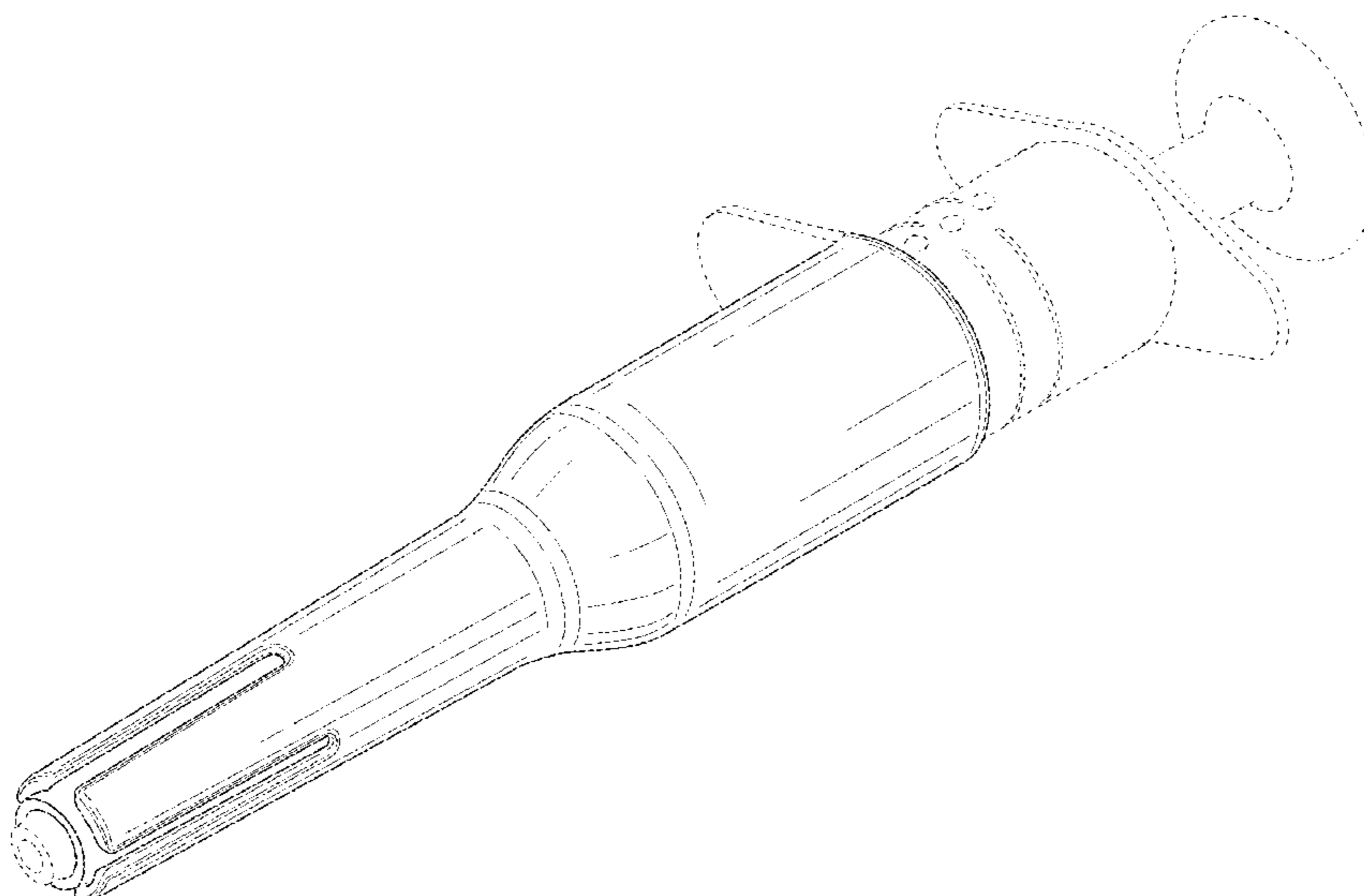
U.S. PATENT DOCUMENTS

D332,489 S * 1/1993 Dalling D19/195
5,498,243 A * 3/1996 Vallelunga A61M 5/3243
604/187
D376,646 S * 12/1996 Vallelunga D24/112
5,741,273 A 4/1998 ORegan
D430,666 S * 9/2000 Cseke D24/114
D455,830 S * 4/2002 Hommann D24/130
6,482,213 B1 11/2002 Riza
D543,278 S * 5/2007 Numata D24/114
D552,773 S * 10/2007 Greenberg D24/130
D627,061 S * 11/2010 Van der Stappen D24/113

FIG. 1 is an isometric view of a tissue ligation device; FIG. 2 is a first side view of the design of FIG. 1; FIG. 3 is a second side view of the design of FIG. 1; FIG. 4 is a top view of the design of FIG. 1; FIG. 5 is a bottom view of the design of FIG. 1; FIG. 6 is a first end view of the design of FIG. 1; FIG. 7 is a second end view of the design of FIG. 1; and, FIG. 8 is an isometric exploded view of the design of FIG. 1.

The broken lines in the drawings illustrate portions of the tissue ligation device which forms no part of the claimed design.

1 Claim, 7 Drawing Sheets



(56)

References Cited

U.S. PATENT DOCUMENTS

8,926,635 B2 * 1/2015 Francischelli A61B 17/12
606/139
9,216,021 B2 * 12/2015 Doughty A61B 17/12013
D758,566 S * 6/2016 Chen D24/113
D758,570 S * 6/2016 Wohlfahrt D24/113
9,622,750 B2 4/2017 Chotenovsky et al.
9,730,718 B2 * 8/2017 Black A61B 17/29
D800,587 S * 10/2017 Cho D10/74
9,782,177 B2 10/2017 Su et al.
D804,651 S * 12/2017 Loonan D24/114
D823,459 S * 7/2018 Bendek D24/113
D830,541 S * 10/2018 Walker D24/114
10,420,562 B2 9/2019 Nayar
D903,855 S * 12/2020 Cichocki, Jr. D24/112
D909,571 S * 2/2021 Futami D24/114
D922,567 S * 6/2021 Boyaval D24/113
D926,309 S * 7/2021 Yu D24/114
D926,972 S * 8/2021 Coats D24/114

D926,975 S * 8/2021 Murakami D24/127
D931,438 S * 9/2021 Ono D24/112
2010/0063517 A1 3/2010 Cleator
2011/0077666 A1 3/2011 McCahon et al.
2021/0282783 A1 * 9/2021 Moore A61B 17/128

OTHER PUBLICATIONS

“Siemens’ System to Provide Railroad Crossing Information.”
MaxVal Blog, Sep. 17, 2021, [Seen on Dec. 14, 2021] <https://www.maxval.com/blog/siemens-system-to-provide-railroad-crossing-information/>. (Year: 2021).*

Anal Hemorrhoid Ligation Device Gun For Piles, New India Works, [Post date unknown], [Site seen Dec. 14, 2021], Seen at URL: <https://www.indiamart.com/proddetail/anal-hemorrhoid-ligation-device-gun-for-piles-20705422797.html> (Year: 2021).*

International Search Report and Written Opinion for the International Patent Application No. PCT/US2021/021920, dated Jun. 28, 2021, 16 pages.

* cited by examiner

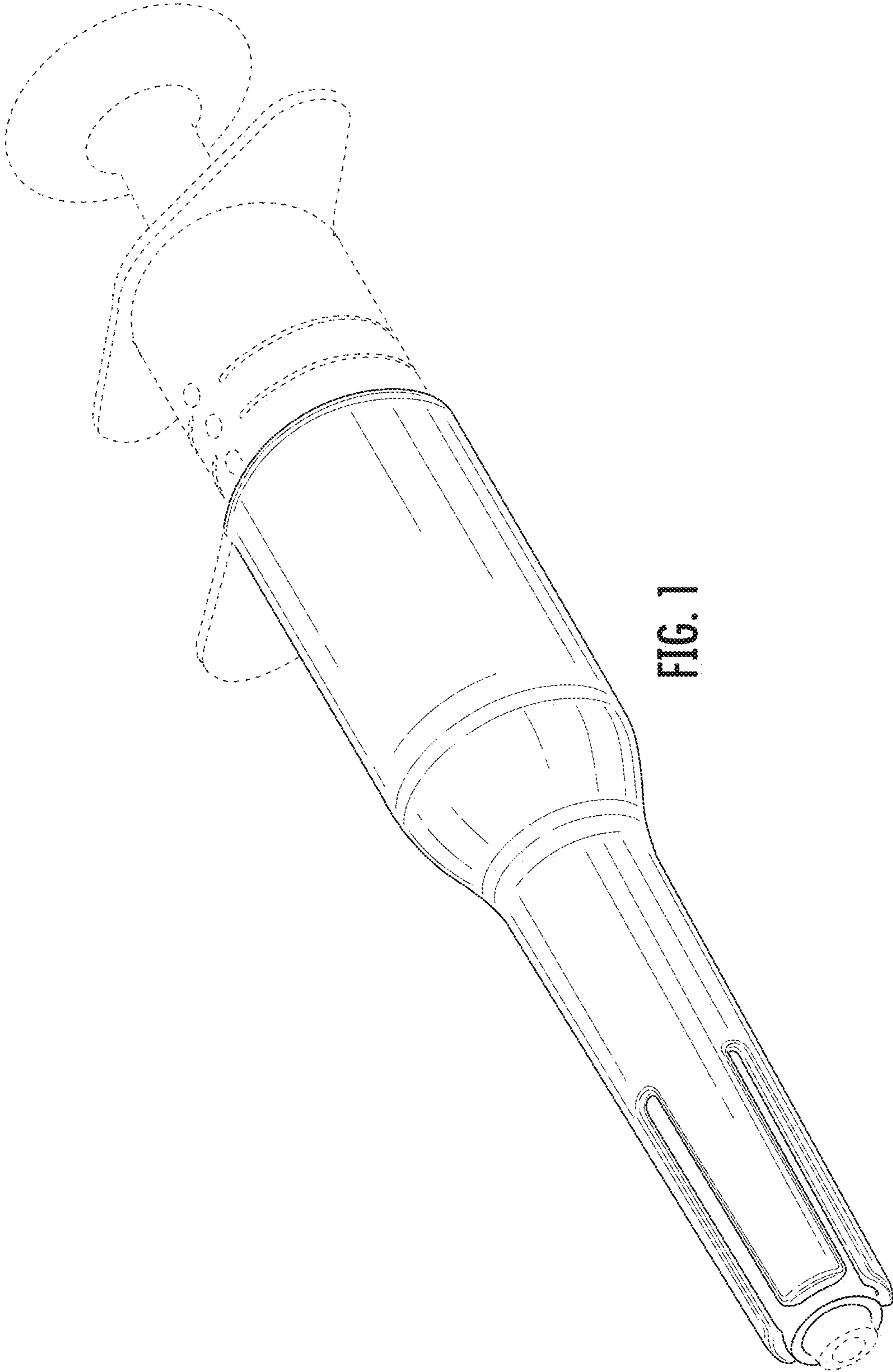


FIG. 1

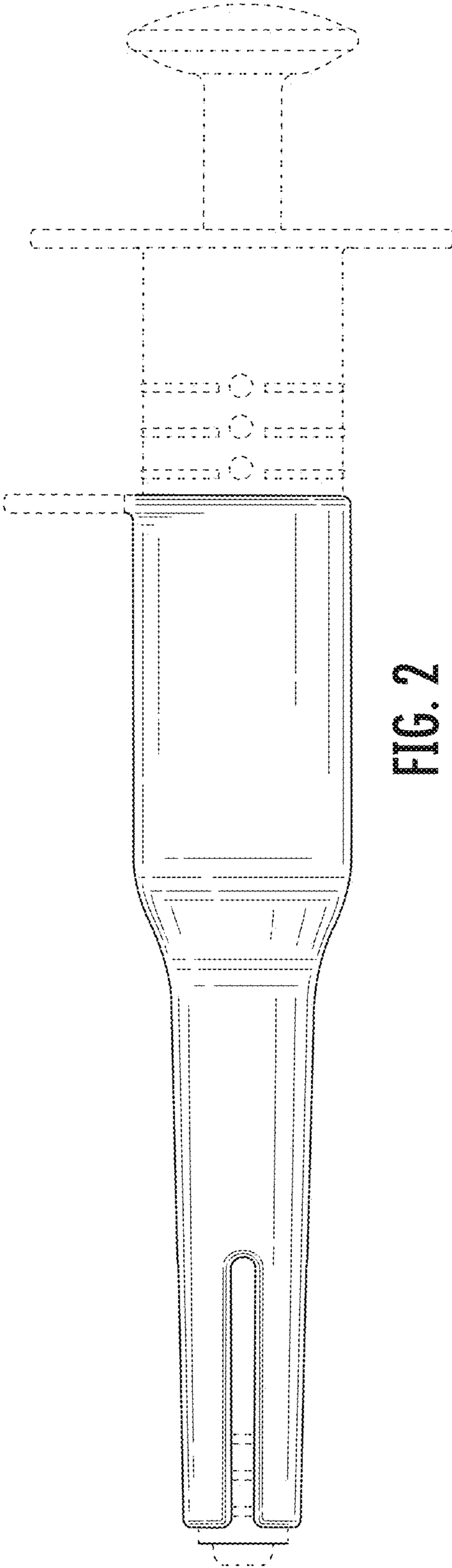


FIG. 2

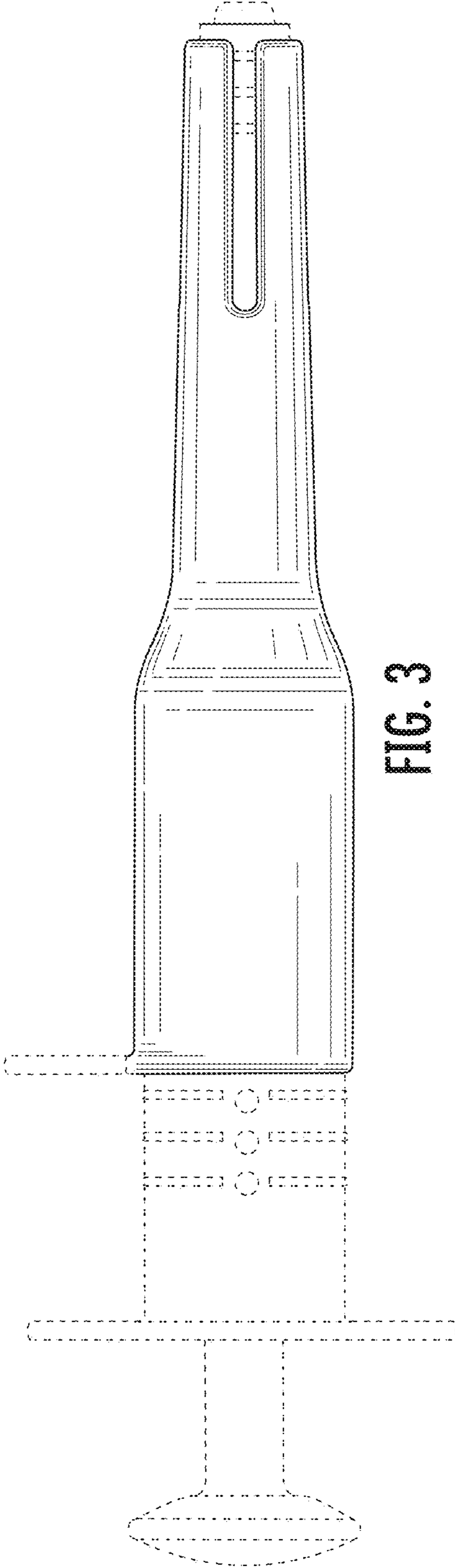


FIG. 3

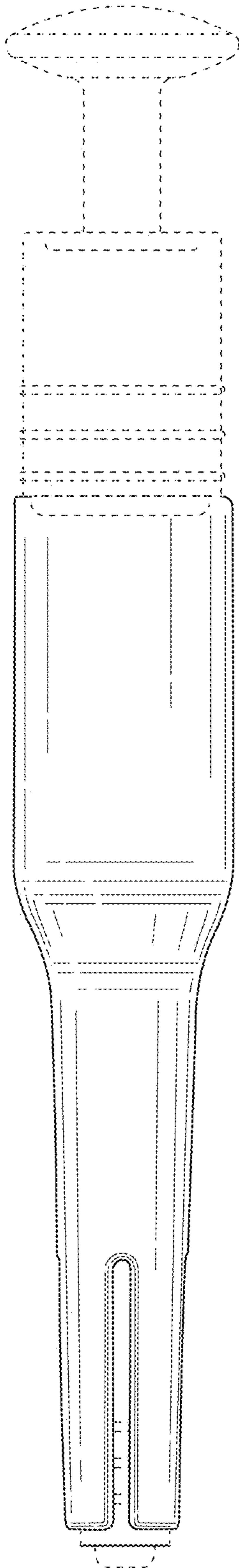


FIG. 4

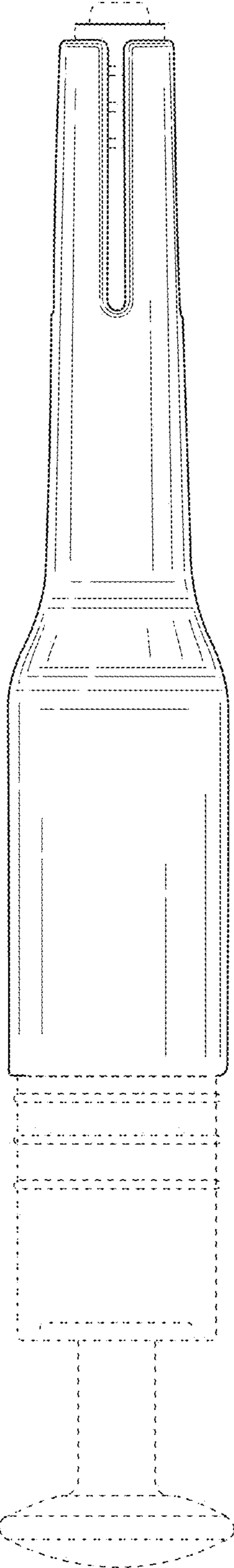


FIG. 5

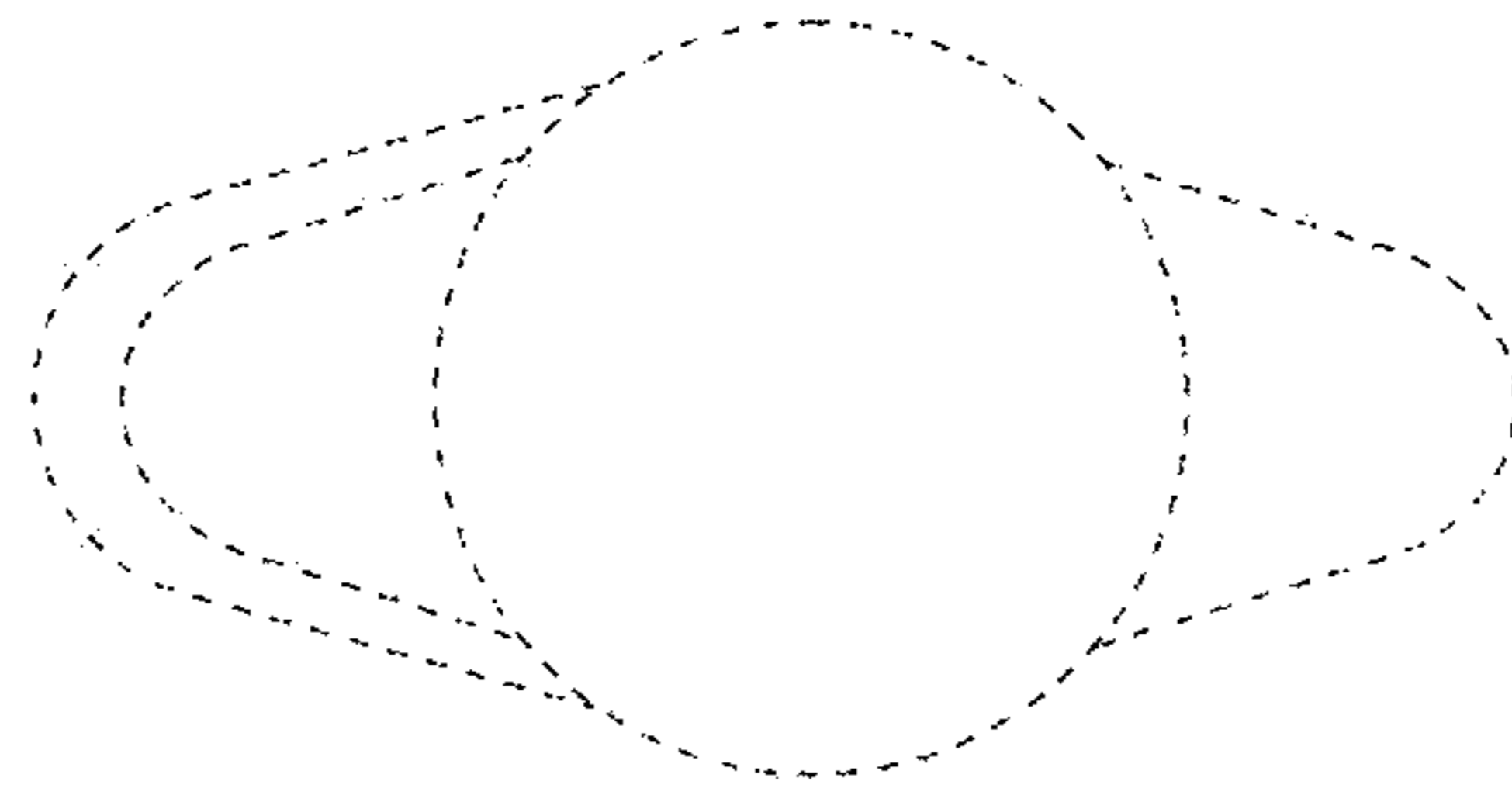


FIG. 6

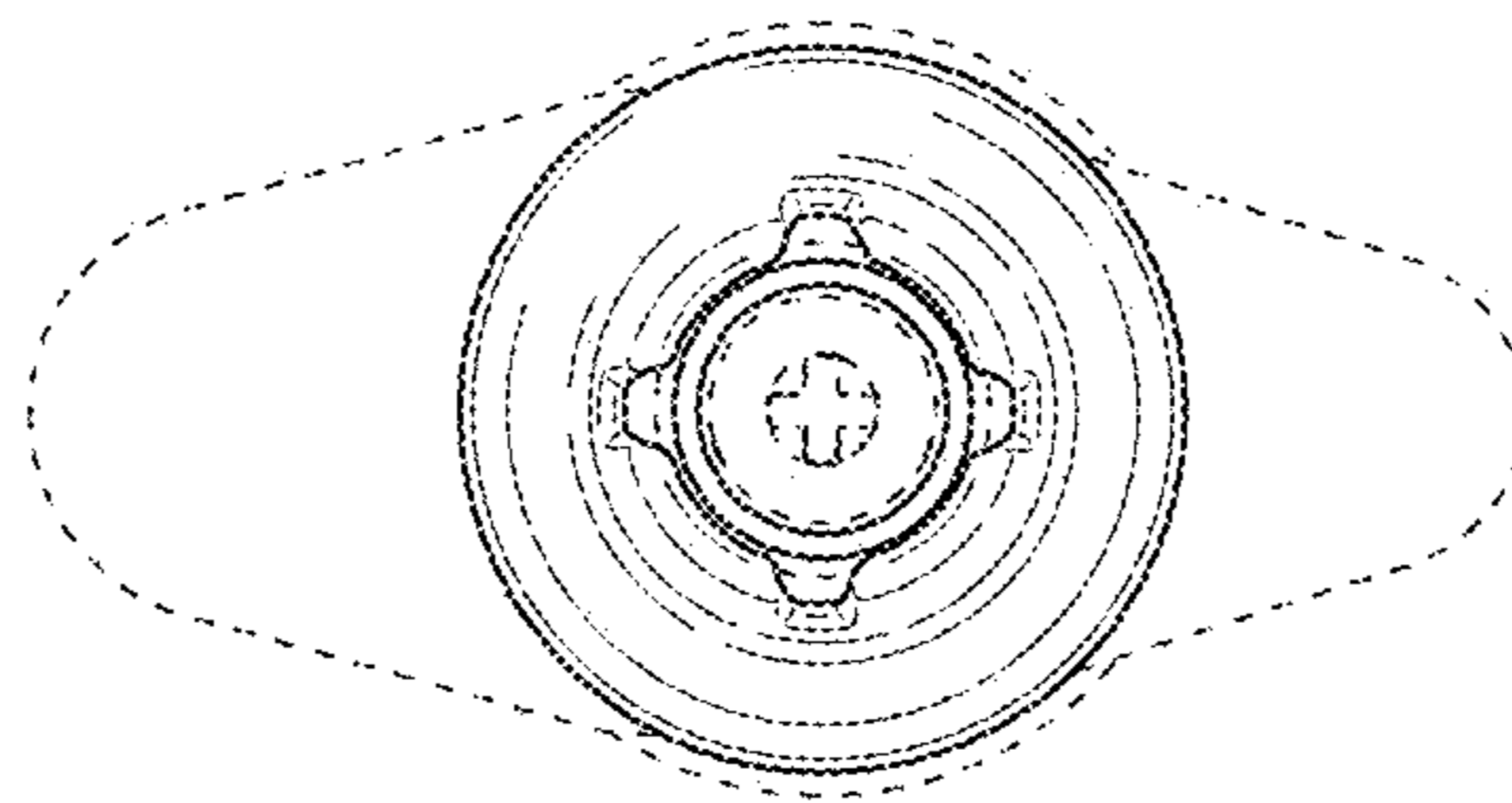


FIG. 7

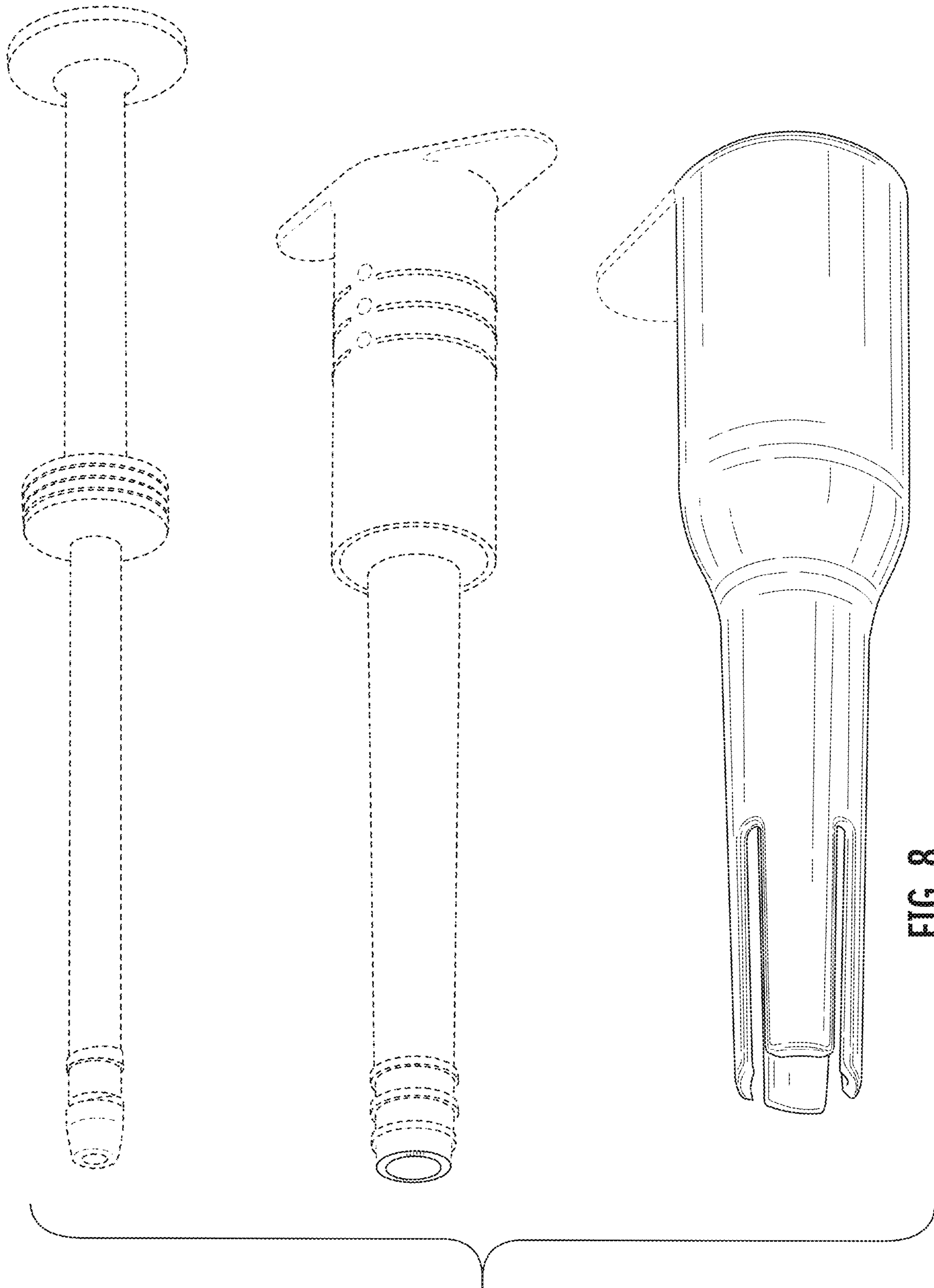


FIG. 8