



US00D950718S

(12) **United States Design Patent** (10) **Patent No.:** **US D950,718 S**
Doubet et al. (45) **Date of Patent:** **** May 3, 2022**

(54) **CONTAINER ADAPTER FOR A REMOVABLE ATTACHABLE SYRINGE**

showcap-familyid-1456-kw-WATER_BOTTLE_SPORT_CAPS.htm (Year: 2022).*

(71) Applicants: **Paul D. Doubet**, Farmington, IL (US);
James T. Doubet, Parker, CO (US)

(Continued)

(72) Inventors: **Paul D. Doubet**, Farmington, IL (US);
James T. Doubet, Parker, CO (US)

Primary Examiner — Natasha Vujcic
Assistant Examiner — Gilbert B Ford
(74) *Attorney, Agent, or Firm* — Marcia L. Doubet

(**) Term: **15 Years**

(57) **CLAIM**

(21) Appl. No.: **29/780,516**

We claim the ornamental design for a container adapter for a removable attachable syringe, as shown and described.

(22) Filed: **Apr. 25, 2021**

DESCRIPTION

Related U.S. Application Data

(63) Continuation of application No. 16/858,686, filed on Apr. 26, 2020, now Pat. No. 11,103,641.

FIG. 1 is a right-side perspective view of a container adapter for a removably attachable syringe;
FIG. 2 is a left-side perspective view thereof;
FIG. 3 is a front view of the container adapter of FIG. 1, showing how it may be placed upon a container;
FIG. 4 is a cross-sectional view thereof, along an imaginary line depicted using dashes in FIG. 3;
FIG. 5 is an enlarged view of a portion of the cross-sectional view of FIG. 4;
FIG. 6 is a right-side view of the container adapter of FIG. 1, and
FIG. 7 is a left-side view thereof;
FIG. 8 is a top view of the container adapter of FIG. 1
FIG. 9 is a back view of the container adapter of FIG. 1;
FIG. 10 is a bottom view of the container adapter of FIG. 1;
FIG. 11 illustrates an exploded view showing individual components of the assembly depicted in FIG. 1;
FIG. 12 is a perspective view of a container adapter for a removably attachable syringe in a position of use;
FIG. 13 is a front view of the container adapter of FIG. 12;
FIG. 14 is a cross-sectional view thereof, along an imaginary line depicted using dashes in FIG. 13; and,
FIG. 15 is an enlarged view of a portion of the cross-sectional view of FIG. 14.

(51) **LOC (13) Cl.** **24-02**
(52) **U.S. Cl.**
USPC **D24/129**; D24/127
(58) **Field of Classification Search**
USPC D24/127–131, 112–114, 133, 186, 231;
D9/454, 544

(Continued)

(56) **References Cited**

U.S. PATENT DOCUMENTS

D651,307 S * 12/2011 Sangha D24/127
8,827,977 B2 * 9/2014 Fangrow A61J 1/2096
604/407

(Continued)

FOREIGN PATENT DOCUMENTS

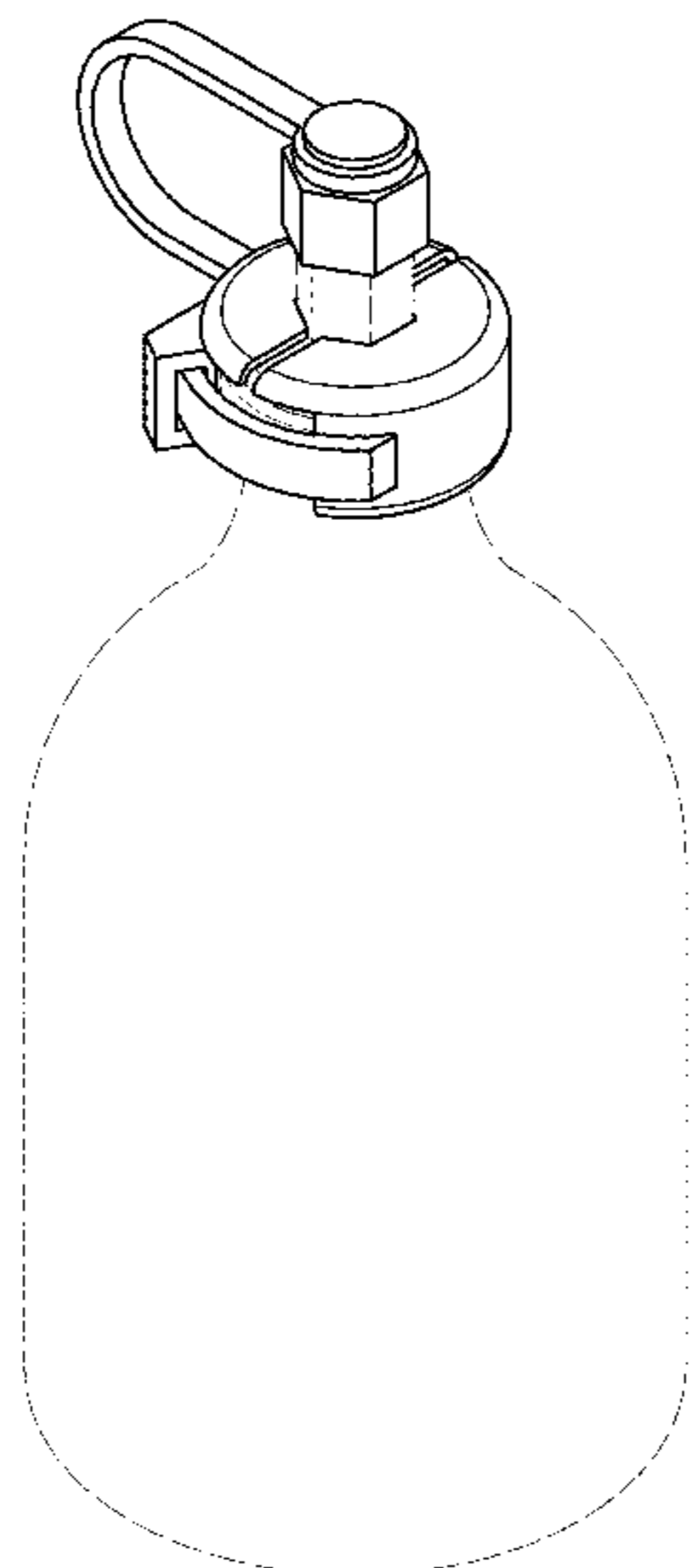
JP D1120142 * 9/2001

OTHER PUBLICATIONS

Water Bottle Sport Caps (WBSC), bottles.com, [Post date unknown], [Site seen Jan. 31, 2022], Seen at URL: <https://www.ebottles.com/>

The broken lines in the drawings form no part of the claimed design.

1 Claim, 10 Drawing Sheets



(58) **Field of Classification Search**

CPC A61M 5/2455; A61M 2005/247; A61M
2005/2488; A61J 1/2096; A61J 1/2037;
A61J 1/2051; A61J 1/1406; B65D 51/002
See application file for complete search history.

(56) **References Cited**

U.S. PATENT DOCUMENTS

D730,730 S * 6/2015 Haley D9/440
D781,417 S * 3/2017 Ingram D24/127
D791,724 S * 7/2017 Becker D24/129
D791,938 S * 7/2017 Becker D24/129
D792,584 S * 7/2017 Ingram D24/127
9,801,788 B2 10/2017 Banik et al.
D802,743 S * 11/2017 Davis D9/434
D884,888 S * 5/2020 Doubet A61M 5/34
D24/129
D890,925 S * 7/2020 Doubet D24/129
D899,250 S * 10/2020 Yang D9/440

D910,170 S * 2/2021 Scalise D24/129
D925,732 S * 7/2021 Toth D24/129
11,103,641 B1 * 8/2021 Doubet A61M 5/2455
D940,309 S * 1/2022 Doubet D24/129
2008/0015539 A1 1/2008 Pieroni et al.
2009/0120934 A1 5/2009 Domkowski
2012/0184938 A1 7/2012 Lev et al.
2016/0015601 A1 1/2016 Davidson
2018/0050183 A1 2/2018 Taylor
2018/0104150 A1 * 4/2018 Dubaele A61J 1/2082
2018/0344570 A1 12/2018 Davis et al.
2020/0368106 A1 * 11/2020 Eicke A61J 1/201

OTHER PUBLICATIONS

Chug Cap (TKWide), Klean Kanteen, [Postdate: unknown], [Sitemseen
Jan. 31, 2022], Seen at URL: <https://www.mukama.com/en/klean-kanteen-chug-cap-tkwide> (Year: 2022).*

* cited by examiner

FIG. 1

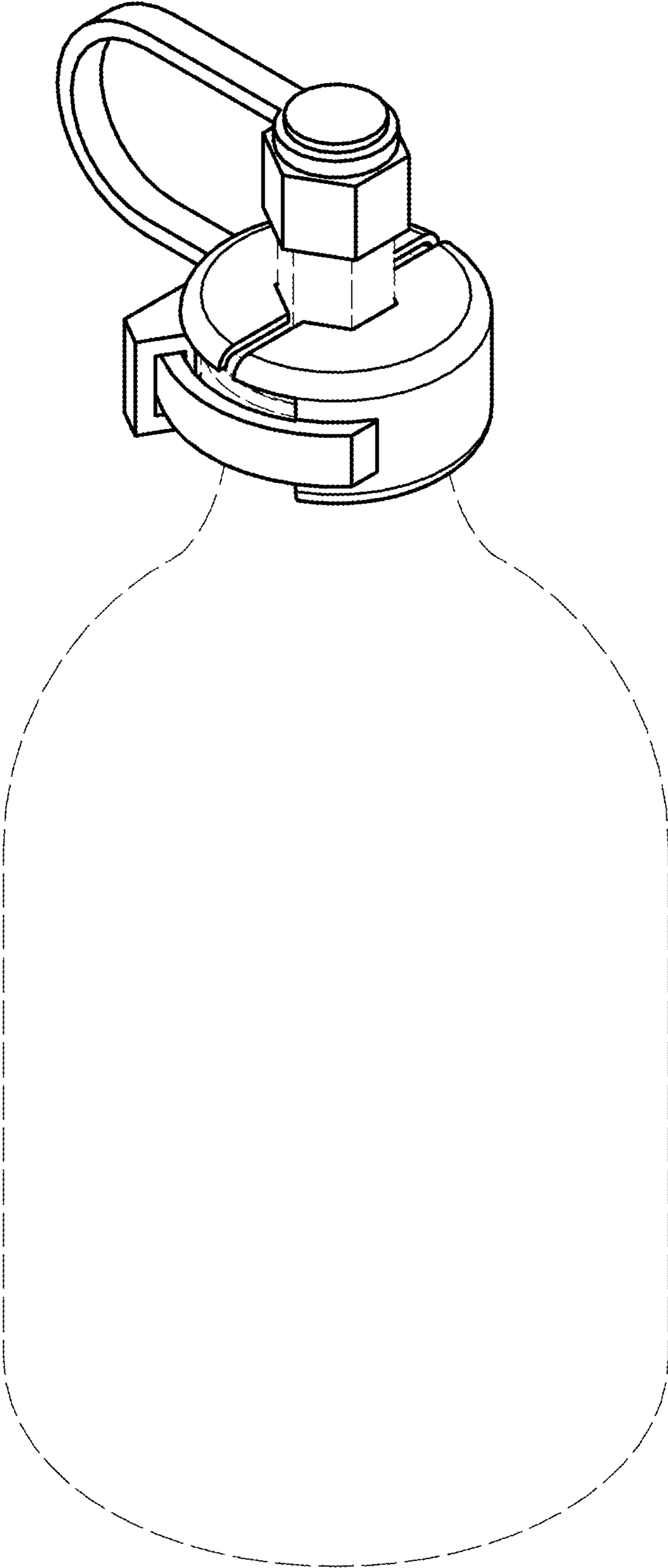


FIG. 2

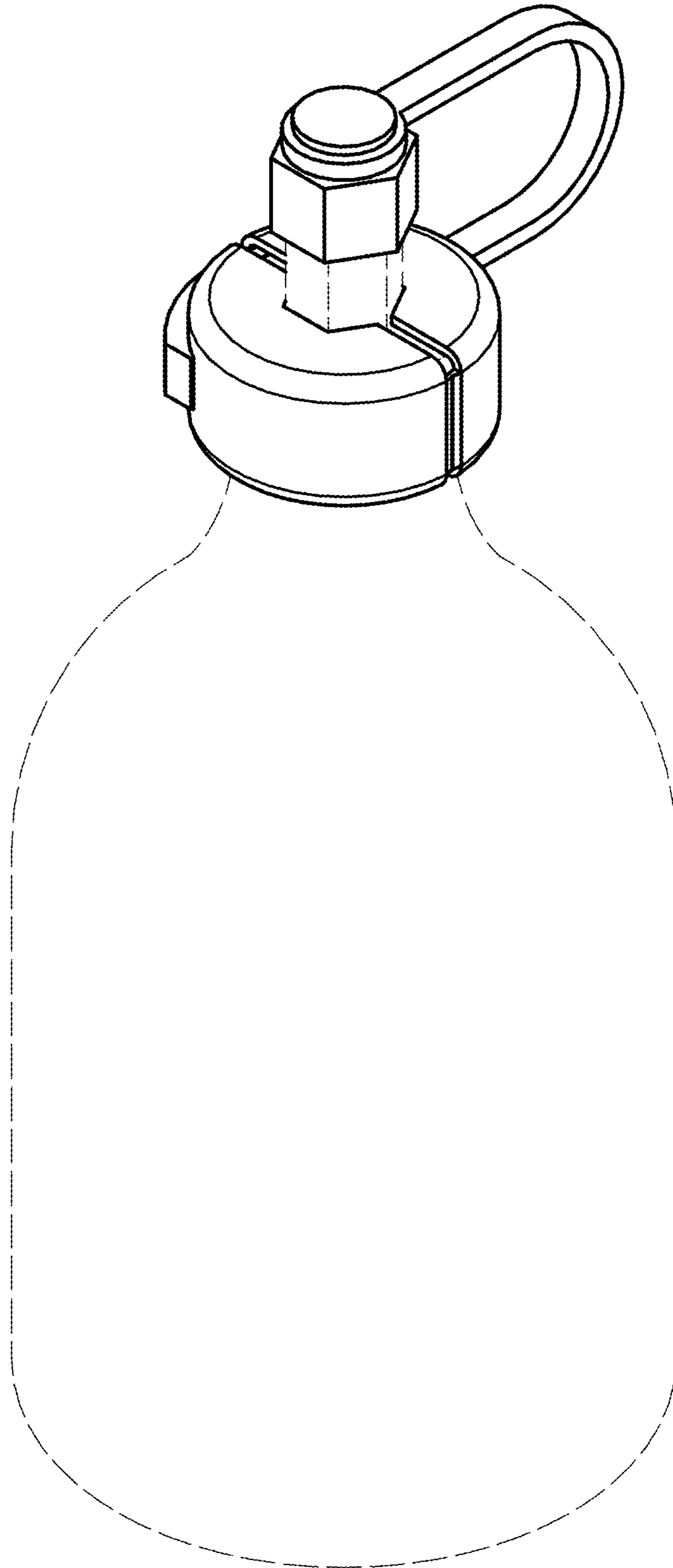


FIG. 3

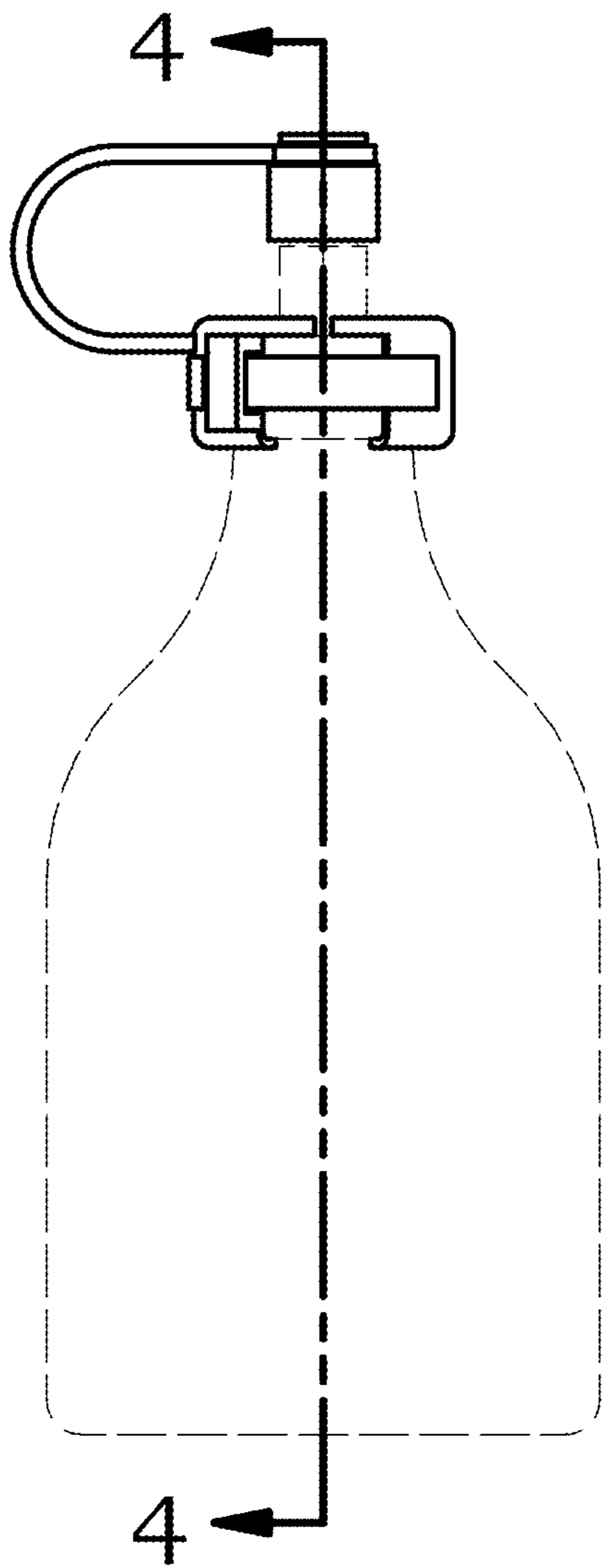


FIG. 4

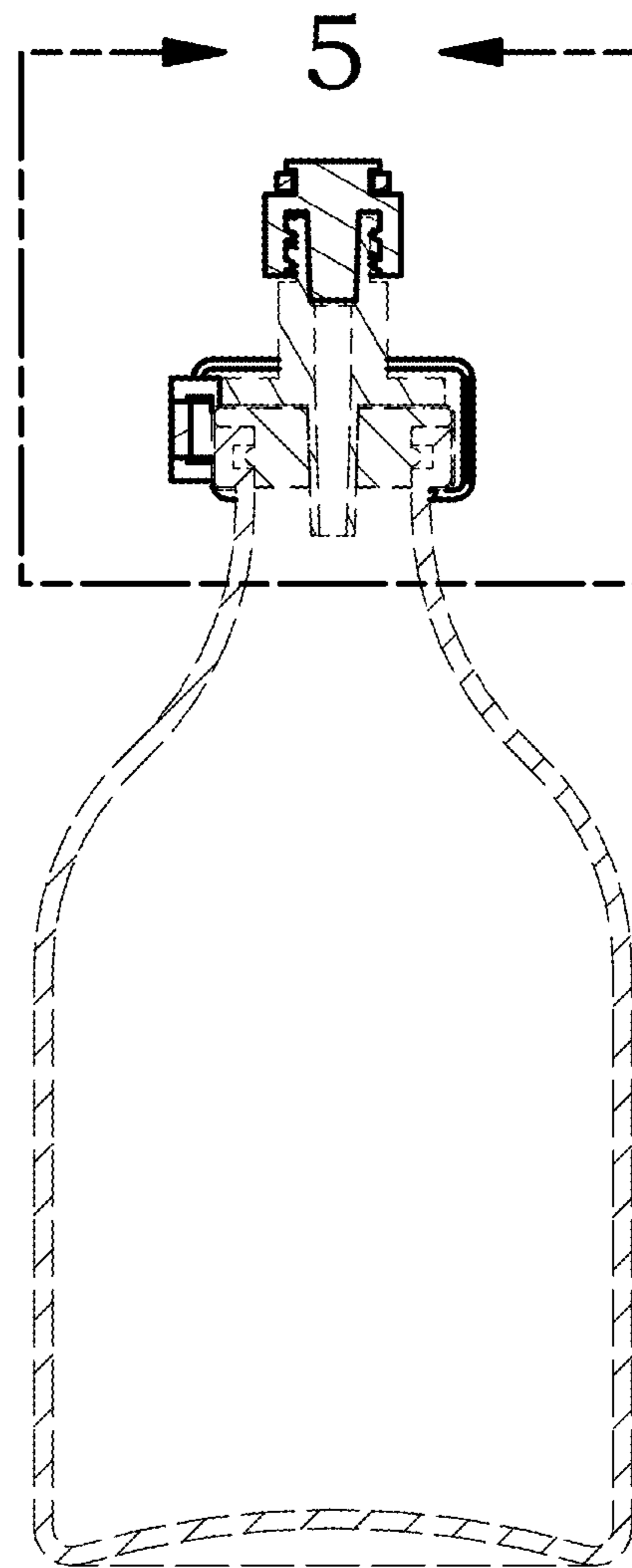


FIG. 5

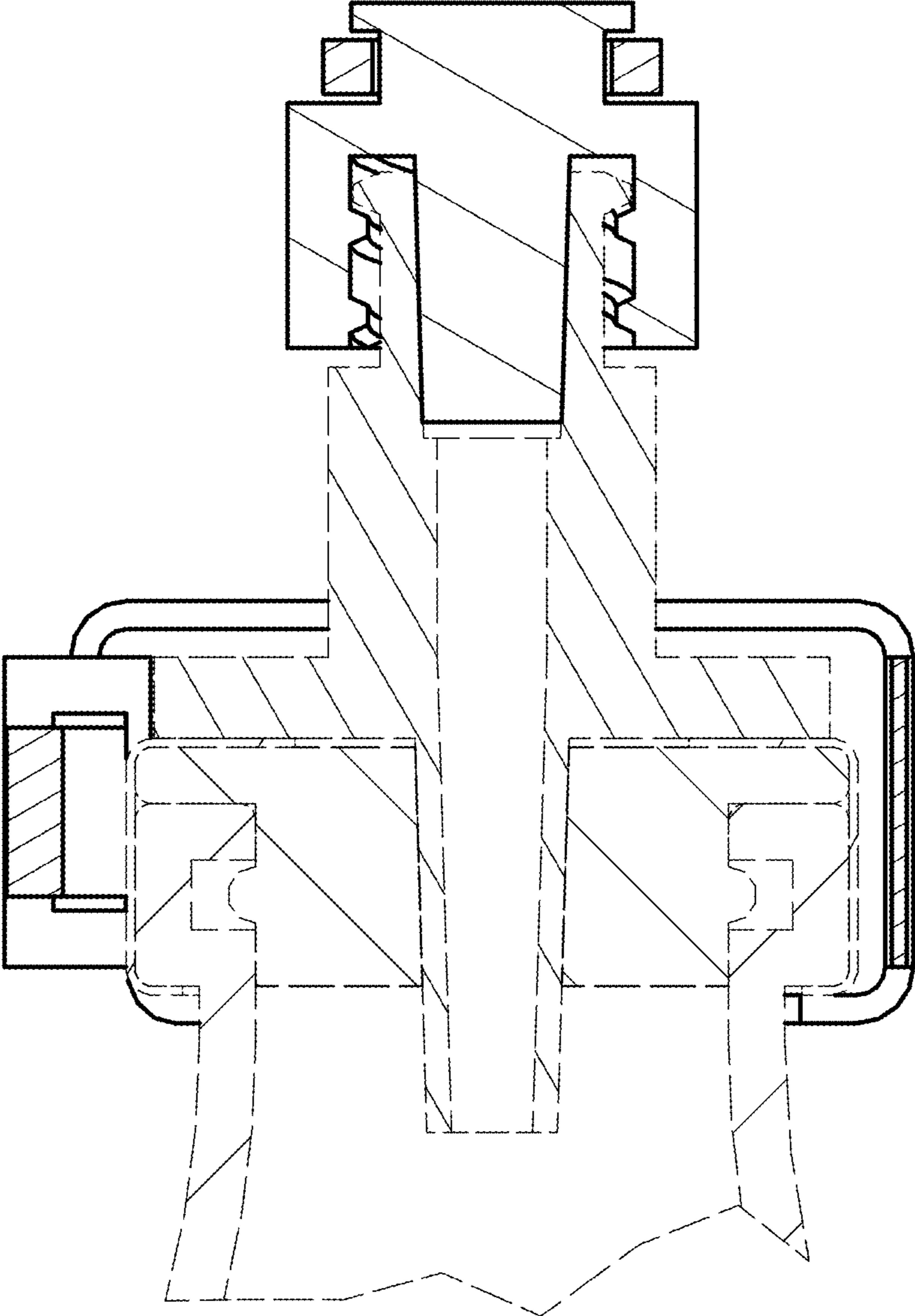


FIG. 6

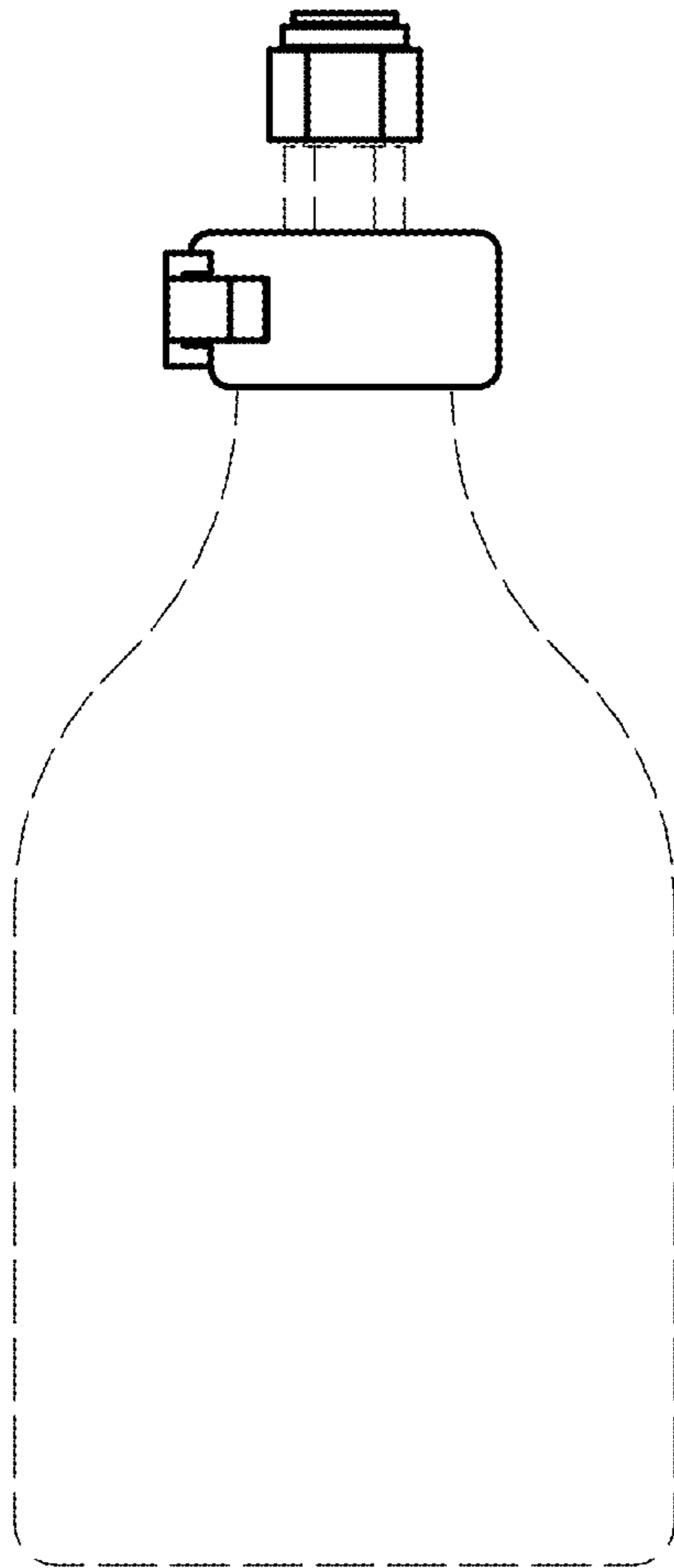


FIG. 7

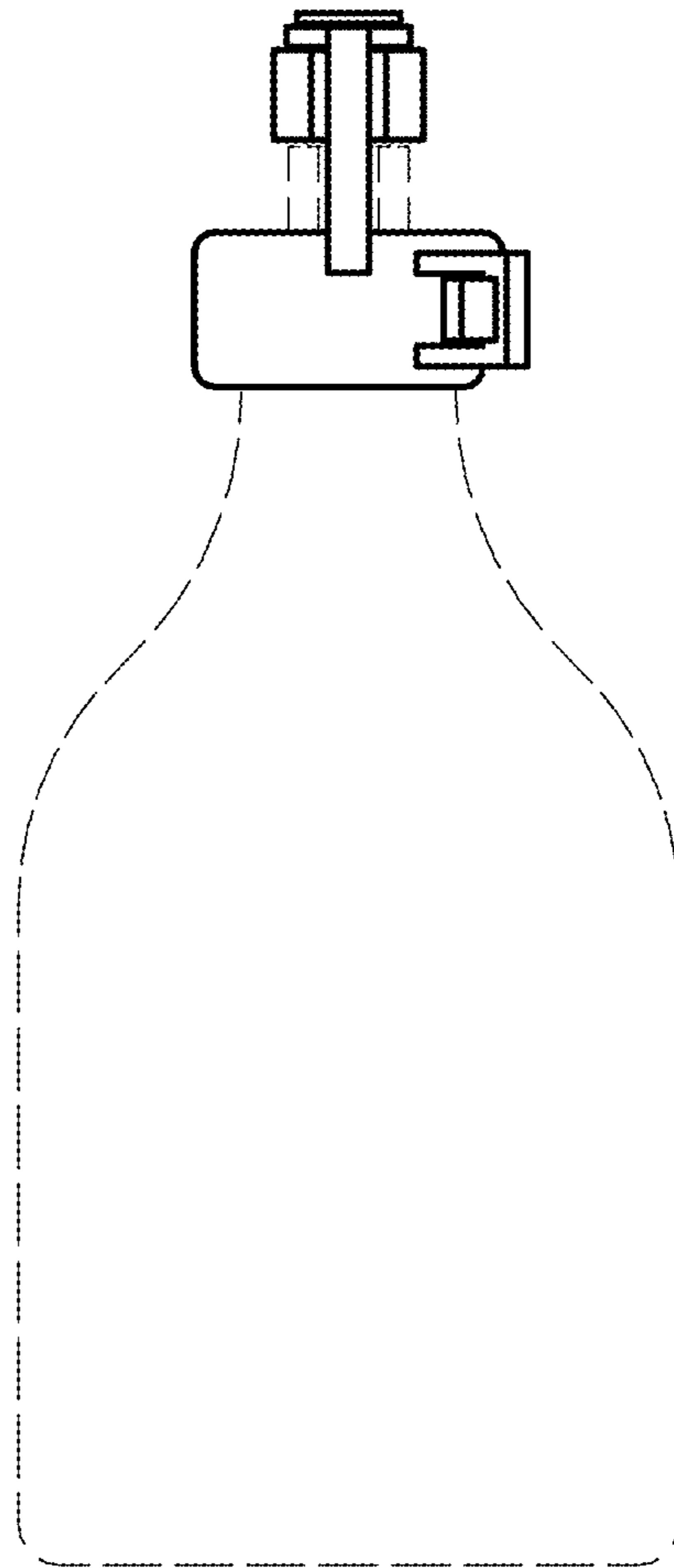


FIG. 8

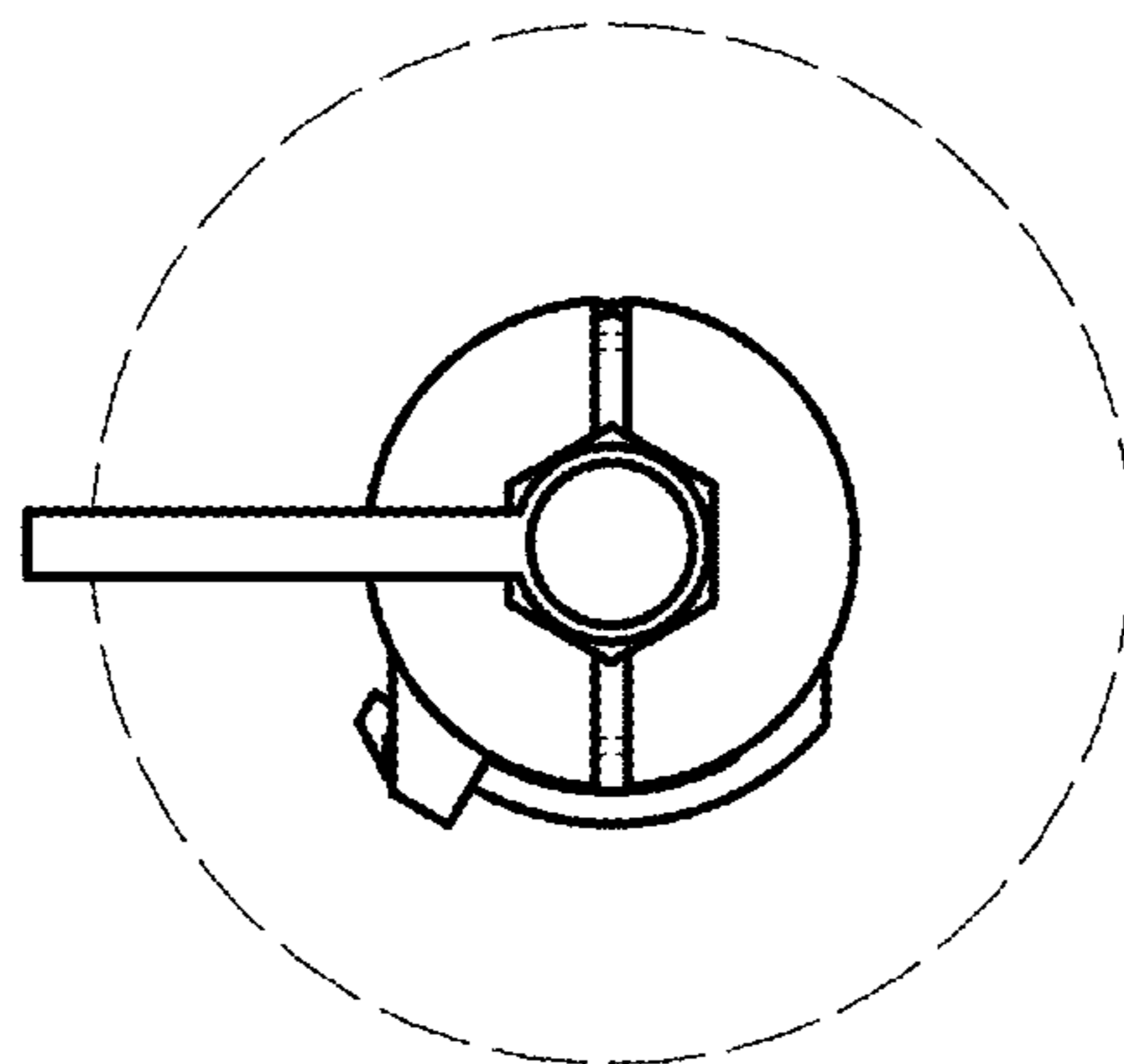


FIG. 9

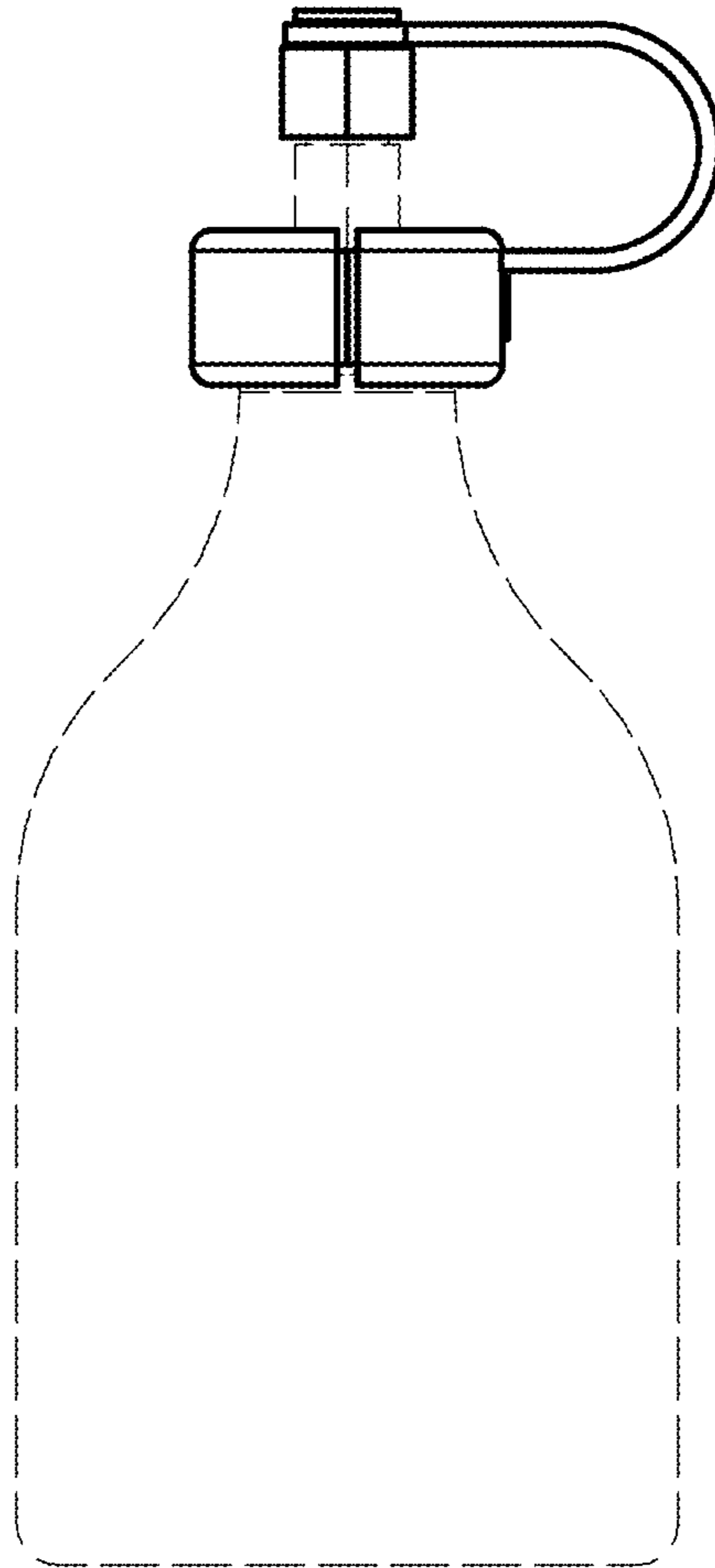


FIG. 10

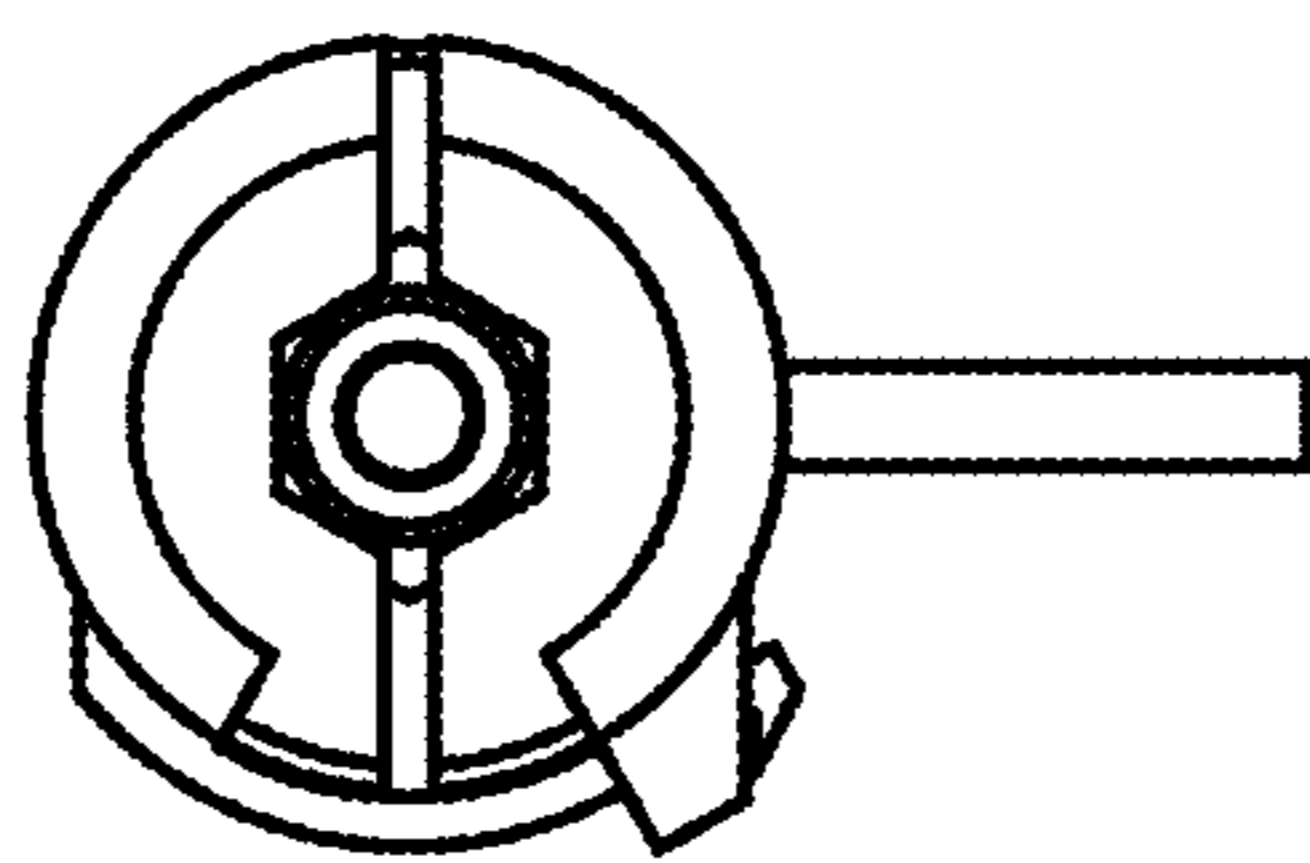


FIG. 11

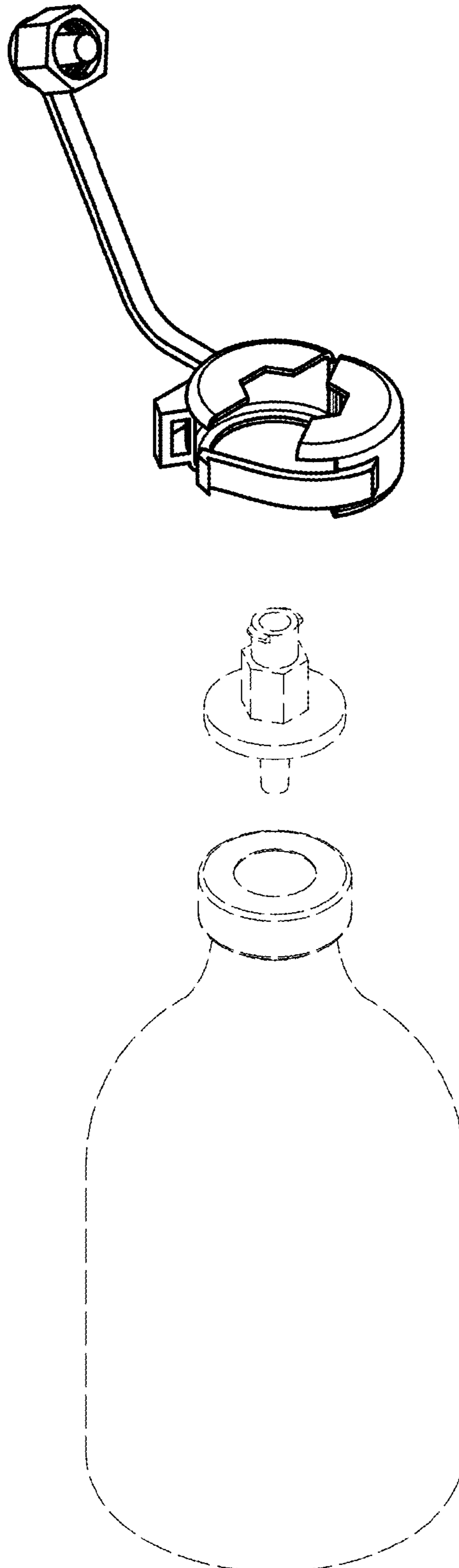


FIG. 12

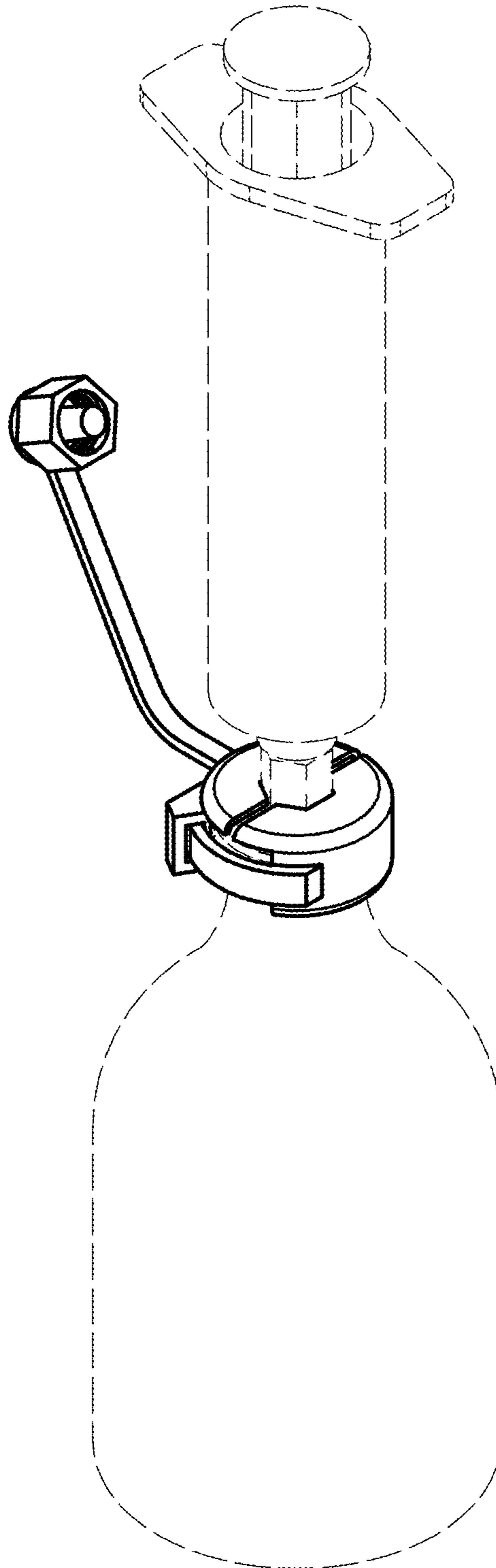


FIG. 13

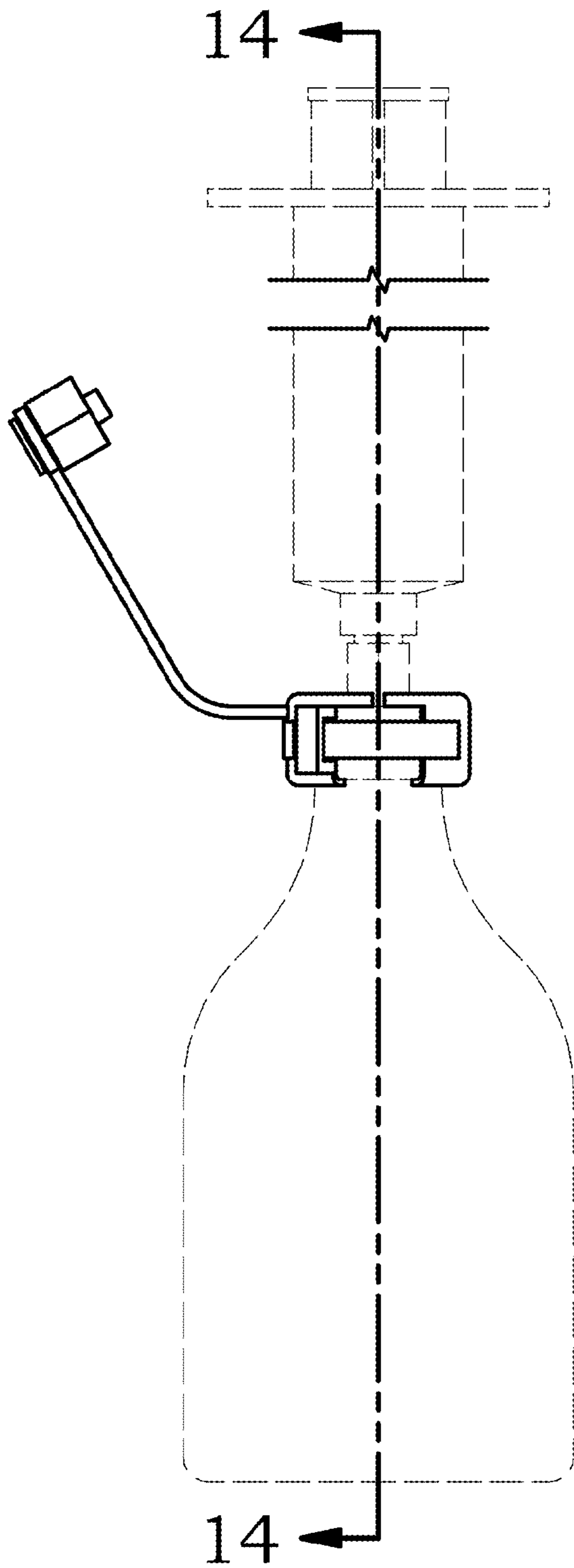


FIG. 14

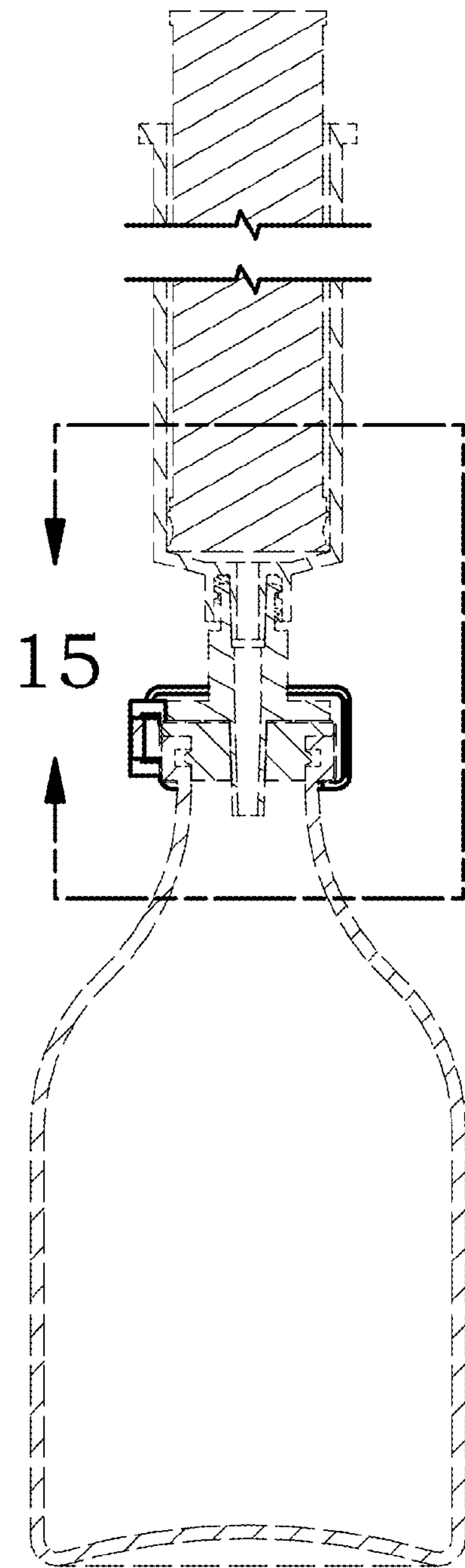
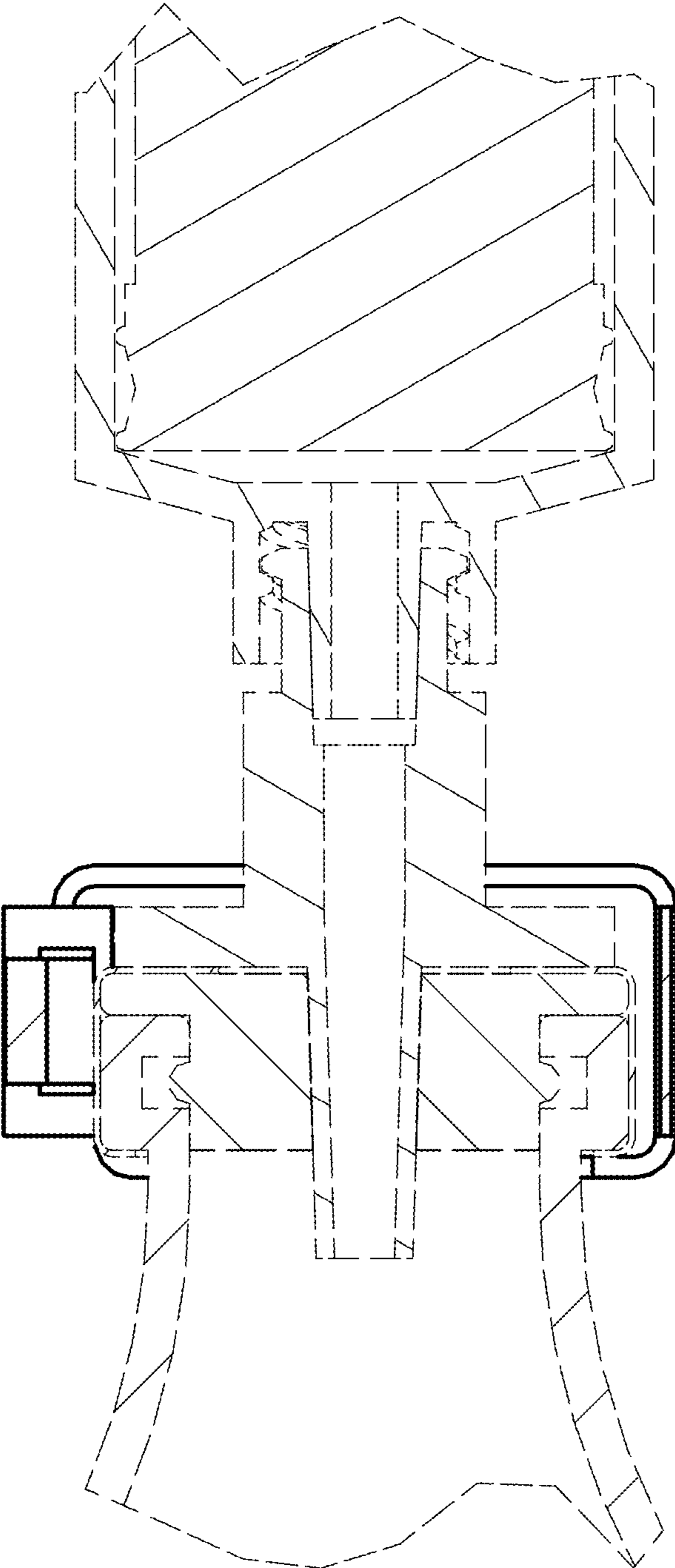


FIG. 15



UNITED STATES PATENT AND TRADEMARK OFFICE
CERTIFICATE OF CORRECTION

PATENT NO. : D950,718 S
APPLICATION NO. : 29/780516
DATED : May 3, 2022
INVENTOR(S) : Paul D. Doubet and James T. Doubet

Page 1 of 1

It is certified that error appears in the above-identified patent and that said Letters Patent is hereby corrected as shown below:

On the Title Page

Item (54) and in the Specification, Column 1, Line 1:
Please change "REMOVABLE" to -- REMOVABLY --.

Item (57) In the Claim, Line 2:
Please change "removable" to -- removably --.

Signed and Sealed this
Ninth Day of August, 2022
Katherine Kelly Vidal

Katherine Kelly Vidal
Director of the United States Patent and Trademark Office