



US00D950717S

(12) **United States Design Patent** (10) **Patent No.:** **US D950,717 S**
Yi (45) **Date of Patent:** **** May 3, 2022**

(54) **FIXED BRACKET OF ORAL CATHETER**

FOREIGN PATENT DOCUMENTS

(71) Applicant: **Dongguan Yitong Textile Co., LTD.**,
Dongguan (CN)

EM 007538202-0001 * 1/2020

(72) Inventor: **Zuncai Yi**, Dongguan (CN)

OTHER PUBLICATIONS

(73) Assignee: **Dongguan Yitong Textile Co., LTD.**,
Dongguan (CN)

Endotracheal intubation catheter holder assembly holder bracket
tooth pad, Ebay.com, [original date unknown],[site visited on Jul.
29, 2021], at the internet URL <https://www.ebay.com/itm/254841283513?chn=ps&var=554680453958&norover=1&mkevt=1&mkrid=711-117182-37290-0&mkcid=2&itemid=5546804%E2%80%A6%202/3> (Year: 2021).*

(**) Term: **15 Years**

Hollister AnchorFast Oral Endotracheal Tube Fastener, Medicaleshop.
com, [original date unknown], [site visited Jul. 29, 2021], ad the
internet URL: <https://www.medicaleshop.com/hollister-anchorfast-oral-endotracheal-tube-fastener-5-10mm-each.html?source=ppc&gclid=EA1aIQobChMlpa6g4ceB8%E2%80%A6%201/3> (Year: 2021).*

(21) Appl. No.: **29/721,416**

(22) Filed: **Mar. 10, 2020**

(51) **LOC (13) Cl.** **24-02**

(52) **U.S. Cl.**
USPC **D24/128; D24/110.1**

(58) **Field of Classification Search**
USPC D24/135, 152, 112–113, 128–130, 176,
D24/110.1, 110.5
CPC A61B 1/24; A61M 25/02
See application file for complete search history.

* cited by examiner

Primary Examiner — Natasha Vujcic
Assistant Examiner — Gilbert B Ford

(56) **References Cited**

U.S. PATENT DOCUMENTS

- 4,838,867 A * 6/1989 Kalt A61M 25/02
128/DIG. 26
- D613,860 S * 4/2010 Bierman A61M 5/1415
D24/130
- D639,420 S * 6/2011 D’Souza D24/110.1
- D717,943 S * 11/2014 Neff D24/127
- D755,951 S * 5/2016 Roblin-Sharp D24/110.1
- D876,621 S * 2/2020 Olson D24/128
- D895,103 S * 9/2020 Dantanarayana D24/110.1
- D897,524 S * 9/2020 Siew D24/110.1
- D924,398 S * 7/2021 Pellissard D24/135
- 2009/0145439 A1 * 6/2009 Peichel A61M 25/02
128/207.17
- 2010/0179481 A1 * 7/2010 Bierman A61M 25/02
604/177
- 2017/0304573 A1 * 10/2017 Rosen A61M 16/0605
- 2020/0330733 A1 * 10/2020 Howell A61M 25/02
- 2021/0128860 A1 * 5/2021 Van Der Vegt A61M 25/02

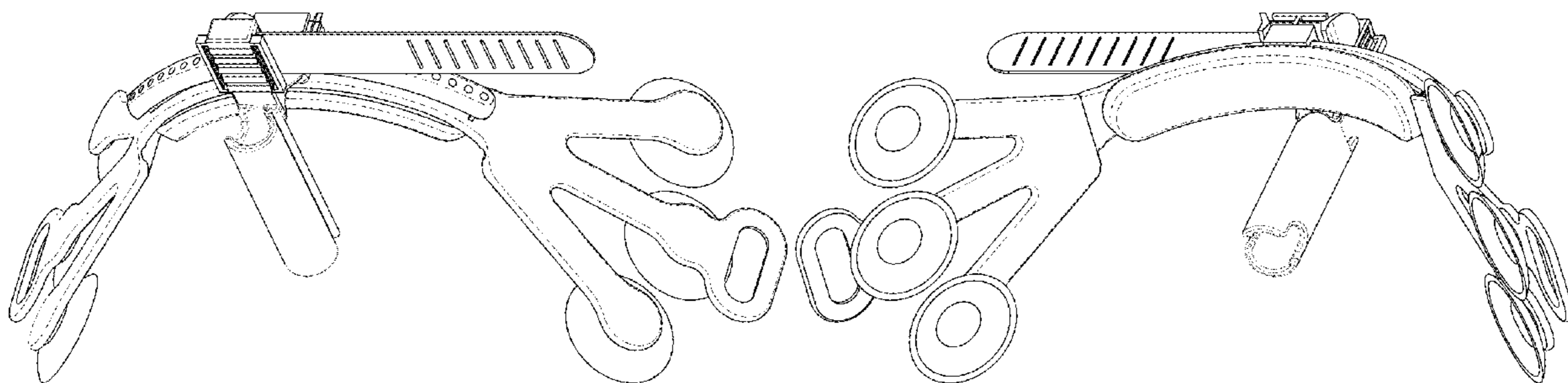
(57) **CLAIM**

The ornamental design for the fixed bracket of oral catheter,
is as shown and described.

DESCRIPTION

FIG. 1 is a front elevation view of a fixed bracket of oral
catheter showing my new design;
FIG. 2 is a rear elevation view thereof;
FIG. 3 is a left side view thereof;
FIG. 4 is a right side view thereof;
FIG. 5 is a top plan view thereof;
FIG. 6 is a bottom plan view thereof;
FIG. 7 is a perspective view thereof; and,
FIG. 8 is the other perspective view thereof.
The broken lines illustrate portions of the fixed bracket of
oral catheter that form no part of the claimed design.

1 Claim, 4 Drawing Sheets



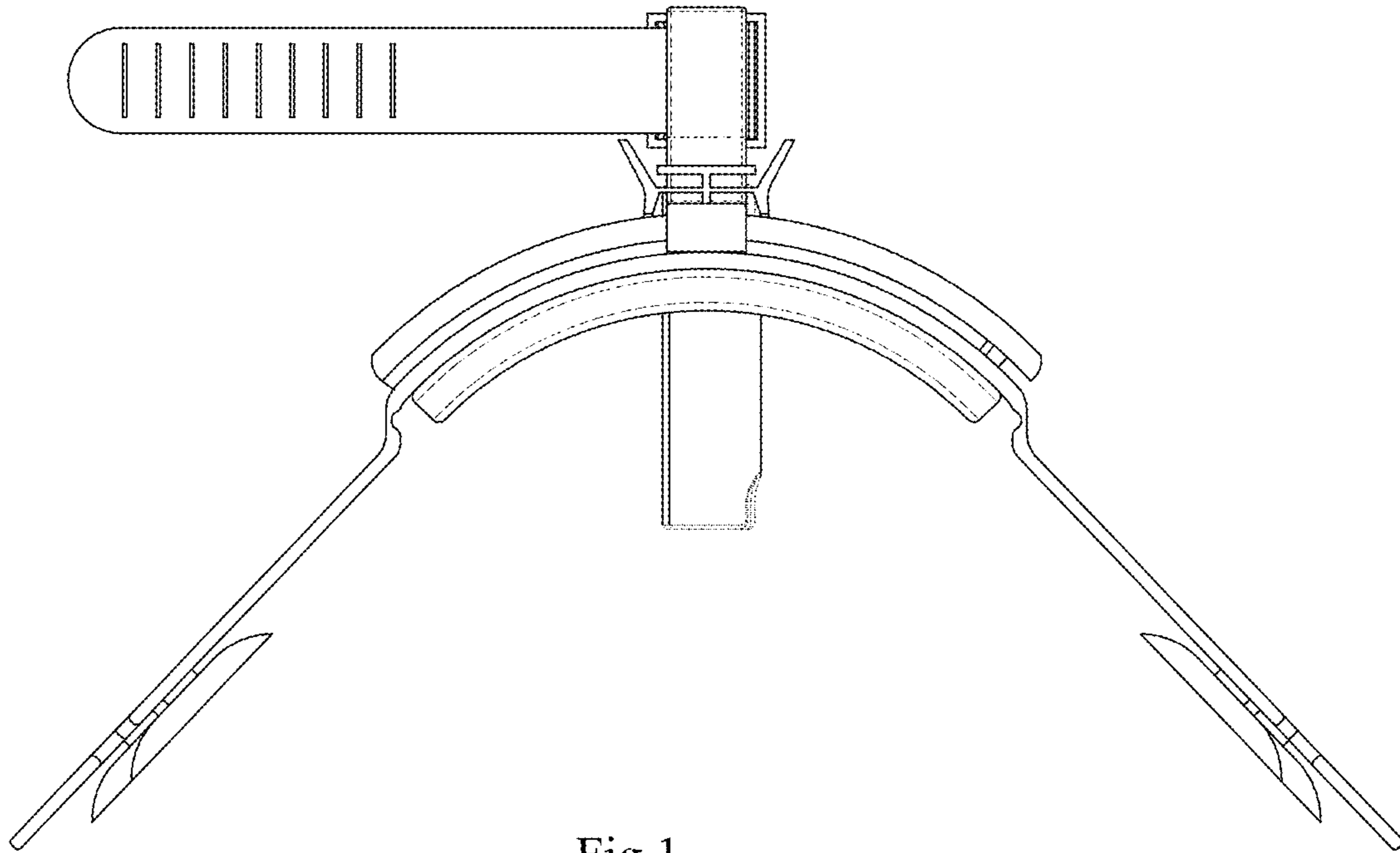


Fig.1

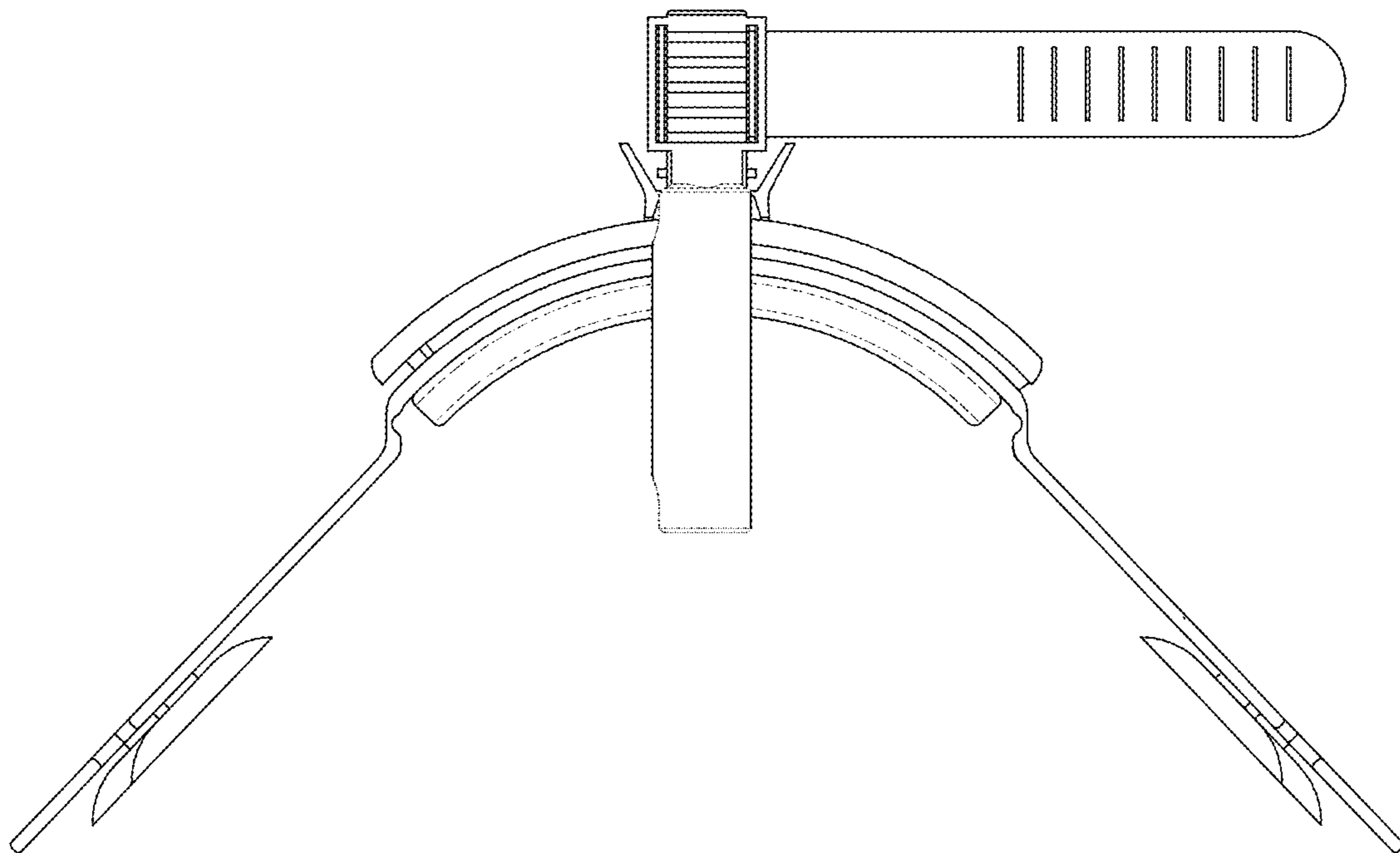


Fig.2

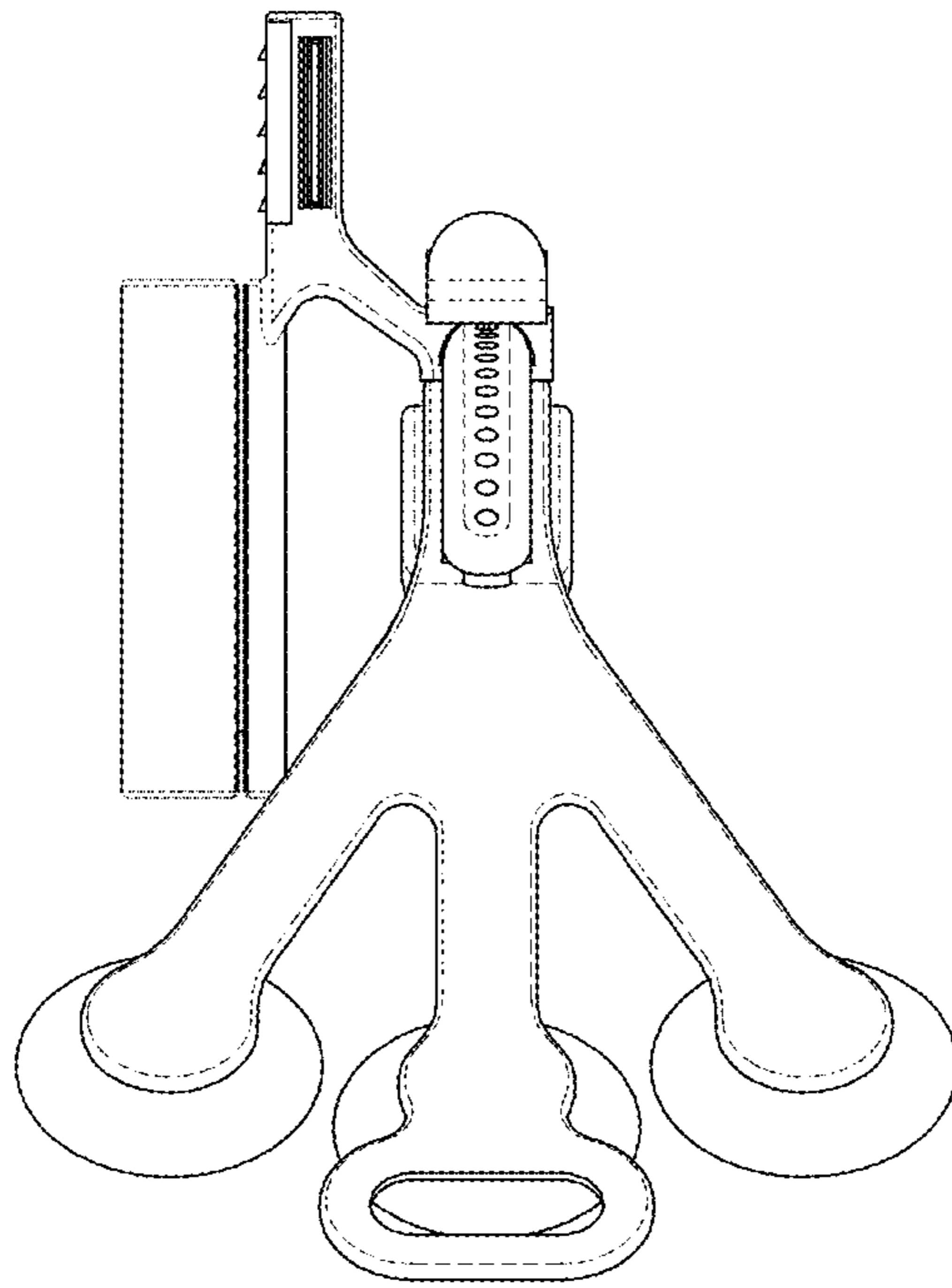


Fig.3

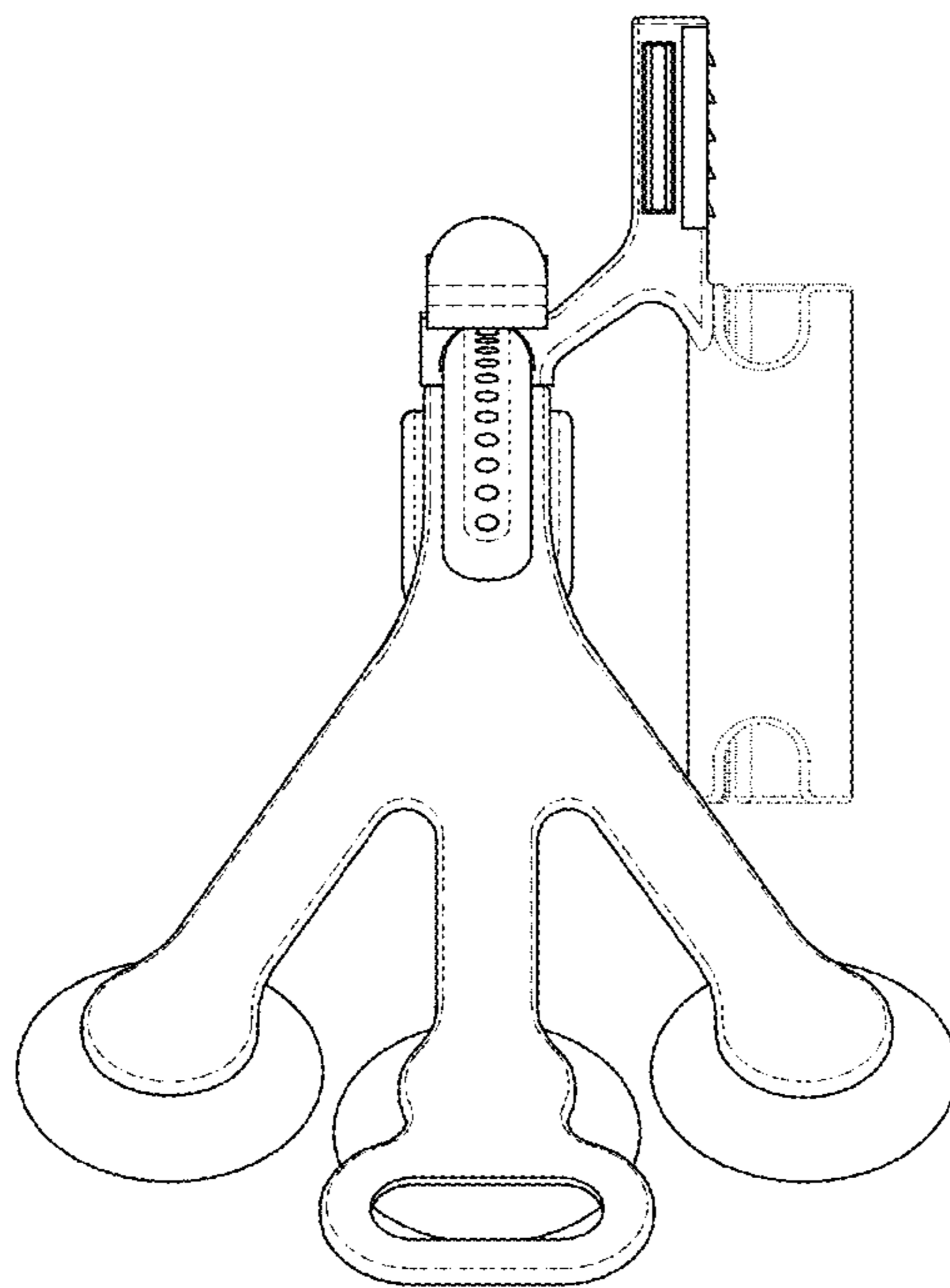


Fig.4

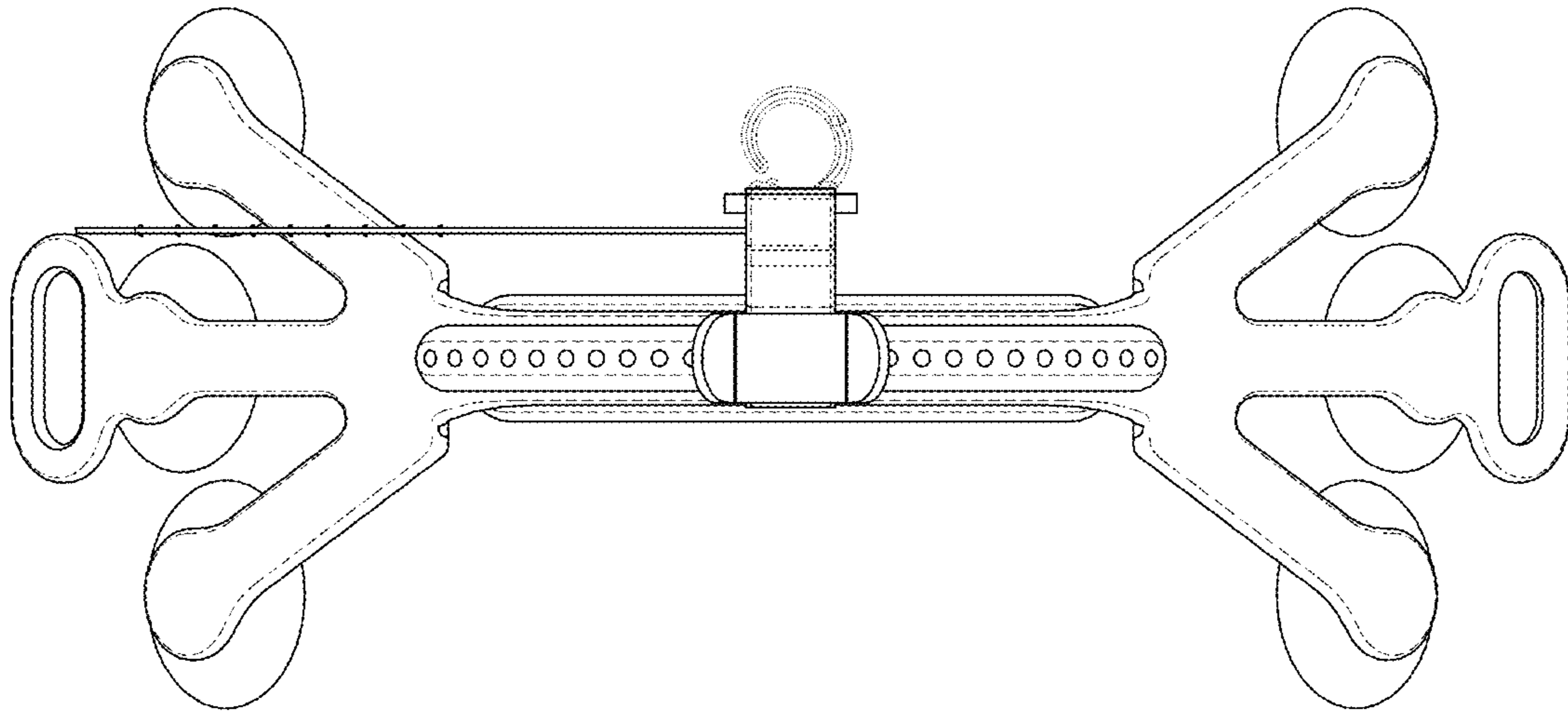


Fig.5

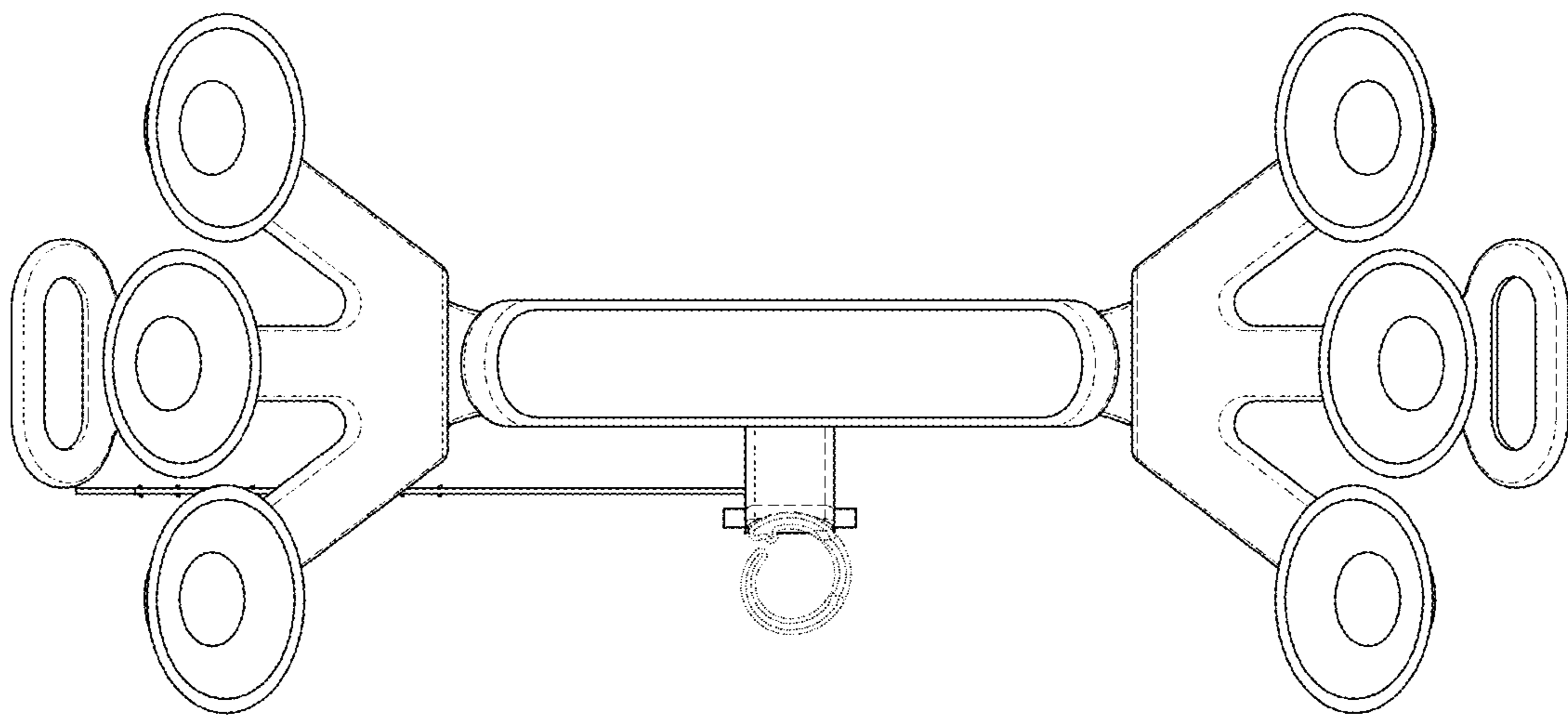


Fig.6

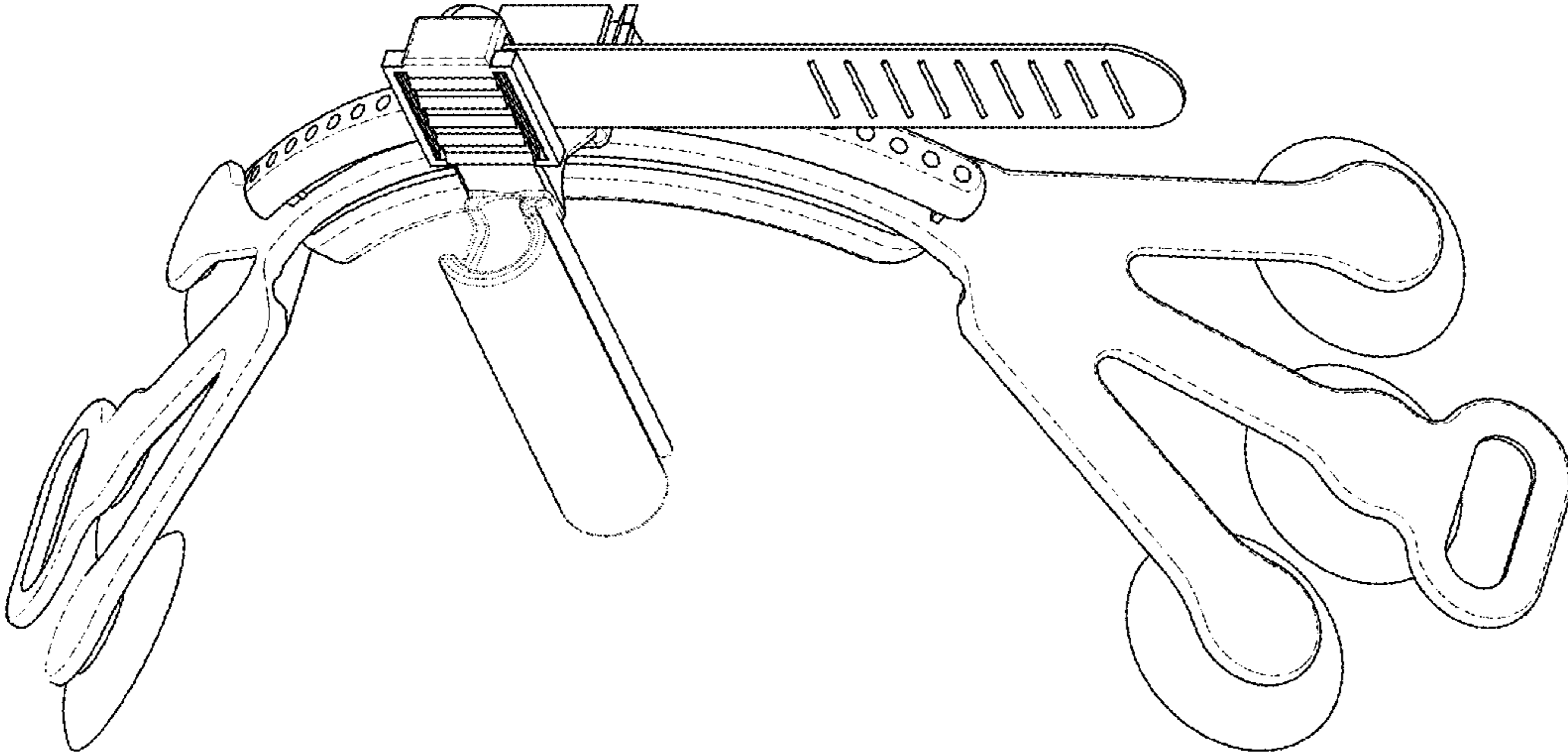


Fig.7

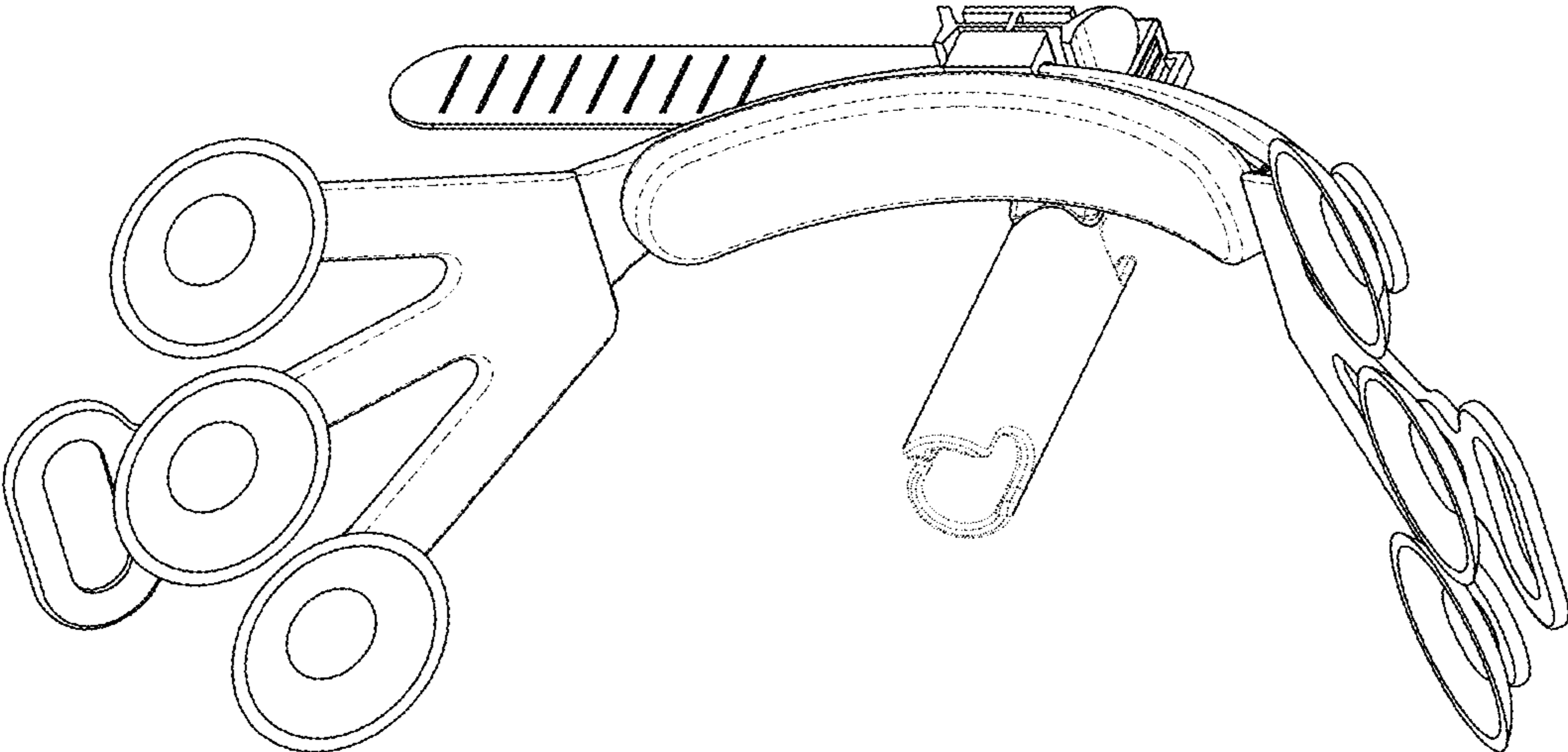


Fig.8