



US00D950716S

(12) **United States Design Patent** (10) **Patent No.:** **US D950,716 S**
Schweizer (45) **Date of Patent:** **** May 3, 2022**

(54) **MALE URINAL**
(71) Applicant: **Tilen Tercej Schweizer**, Ljubljana (SI)
(72) Inventor: **Tilen Tercej Schweizer**, Ljubljana (SI)
(**) Term: **15 Years**
(21) Appl. No.: **29/724,323**
(22) Filed: **Feb. 14, 2020**
(51) **LOC (13) Cl.** **24-04**
(52) **U.S. Cl.**
USPC **D24/122**
(58) **Field of Classification Search**
USPC D24/117, 121, 122, 123, 127, 128, 224;
D7/691, 700; D23/200, 302, 303, 309,
D23/295; 600/573, 574; 604/329, 322,
604/317, 318, 334; 141/372; 4/144.1,
4/144.2, 144.3, 144.4, 445, 459, 460
CPC A61G 9/00; A61G 9/006
See application file for complete search history.

4,769,858 A * 9/1988 Gamm A61G 9/006
215/380
5,387,205 A * 2/1995 Cummins A61B 10/007
4/144.3
D371,842 S * 7/1996 Pilsworth D24/122
D389,240 S * 1/1998 Corona D24/121
(Continued)

FOREIGN PATENT DOCUMENTS

CN 3042163 * 3/1996

OTHER PUBLICATIONS

[JJ Care Urinals for Men 1000ml (2 Pack) Plastic Urine Bottles for Men with Glow in The Dark, Spill Proof Screw Cap Lid, Portable Male Urinals, Urinal Bottle for Car, Elderly & Incontinence], Amazon.com, Date First Available: Oct. 1, 2019 [online], Customer Review Oldest Date: Oct. 17, 2019 [online], site visited: [Oct. 19, 2021], URL: <<https://www.amazon.com/Portable-Collection-Hospital-Incontinence-Emergency/dp/B07WTT49Z1/>>. (Year: 2019).*
(Continued)

Primary Examiner — Jonathan J Han
Assistant Examiner — Amanda J Berlinski
(74) *Attorney, Agent, or Firm* — Lerner, David, Littenberg, Krumholz & Mentlik, LLP

(56) **References Cited**

U.S. PATENT DOCUMENTS

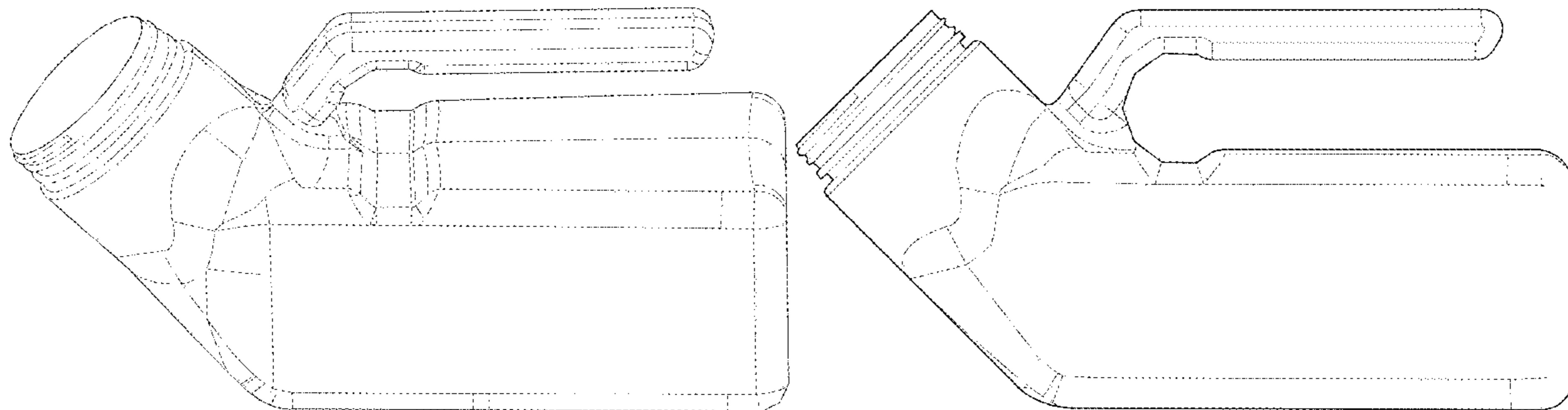
D37,300 S * 1/1905 Meinecke D24/122
D212,516 S * 10/1968 Belch D24/122
3,479,671 A * 11/1969 Beich A61G 9/006
4/144.1
3,675,449 A * 7/1972 Bluestein D06F 75/30
68/222
3,716,871 A * 2/1973 Borse A61G 9/006
4/144.2
RE28,278 E * 12/1974 Borse A61G 9/006
4/144.2
D245,267 S * 8/1977 Gruber D24/122
D248,168 S * 6/1978 Kelly D24/122
D248,527 S * 7/1978 Bryk D24/122
D249,076 S * 8/1978 Meeker 119/71
4,270,231 A * 6/1981 Zint A61G 9/006
4/144.1
D297,462 S * 8/1988 Meunchen D24/122

(57) **CLAIM**
The ornamental design for a male urinal, as shown and described.

DESCRIPTION

FIG. 1 is a perspective view showing my new design;
FIG. 2 is a front view thereof;
FIG. 3 is a back view thereof;
FIG. 4 is a top view thereof;
FIG. 5 is a bottom view thereof;
FIG. 6 is a left side view thereof; and,
FIG. 7 is a right side view thereof.

1 Claim, 7 Drawing Sheets



(56)

References Cited

U.S. PATENT DOCUMENTS

D399,308 S * 10/1998 Garlock D24/122
 6,021,529 A * 2/2000 Abbato A61G 9/006
 4/144.1
 6,021,530 A * 2/2000 Davis A61G 9/006
 4/144.1
 D429,321 S * 8/2000 Gouget D23/302
 D430,655 S * 9/2000 Anderson D23/302
 D439,970 S * 4/2001 Fisher D24/121
 D461,239 S * 8/2002 Cassidy D24/110
 D497,981 S * 11/2004 Call D23/302
 D578,211 S * 10/2008 Maze D24/122
 D665,892 S * 8/2012 Mueller D23/365
 D675,070 S * 1/2013 Rockwell D7/691
 D685,465 S * 7/2013 Reda D24/122
 D771,803 S * 11/2016 Tanguay D24/122
 9,895,034 B1 * 2/2018 Maurras A47K 11/12
 D825,738 S * 8/2018 Mitchell D24/110
 D832,425 S * 10/2018 Adams, III D24/122
 2003/0014808 A1 * 1/2003 Koelliker A61G 9/006
 4/144.1
 2007/0136936 A1 * 6/2007 Malloy A47K 11/12
 4/144.1
 2009/0036848 A1 * 2/2009 Faiola A61G 9/006
 604/329
 2009/0158511 A1 * 6/2009 Maze A47K 11/12
 4/144.1

2011/0137272 A1 * 6/2011 Adams A61G 9/006
 604/349
 2012/0199715 A1 * 8/2012 Tuell A61G 9/006
 248/311.2
 2015/0267862 A1 * 9/2015 Mishler F16M 13/022
 248/214
 2015/0320628 A1 * 11/2015 Sands A61F 5/453
 4/144.3
 2015/0374535 A1 * 12/2015 Davis A61F 5/4556
 4/144.2
 2017/0312157 A1 * 11/2017 Solazzo A61G 9/006

OTHER PUBLICATIONS

[Urinals for Men Spill Proof by PerfectMed (2 Pack)—32 oz/ 1000 ml | Portable Urine Bottle Bed Pan W/ Glow in Dark Lid | Thick Plastic Pee Bottle], Amazon.com, Date First Available: Oct. 1, 2019 [online], Customer Review Oldest Date: Dec. 12, 2019 [online], site visited: [Oct. 19, 2021], URL: <<https://www.amazon.com/Urinals-Spill-Proof-PerfectMed-Pack/dp/B07YMHR8SJ/>>. (Year: 2019).*
 [Carex Portable Urinal For Men—Male Urinal and Travel John—Plastic Urinal], Amazon.com, Date First Available: Dec. 7, 2003 [online], Customer Review Oldest Date: Aug. 1, 2004 [online], site visited: [Oct. 20, 2021], URL: <<https://www.amazon.com/Carex-Portable-Urinal-Men-Plastic/dp/B0000533E0?th=1>>. (Year: 2003).*

* cited by examiner

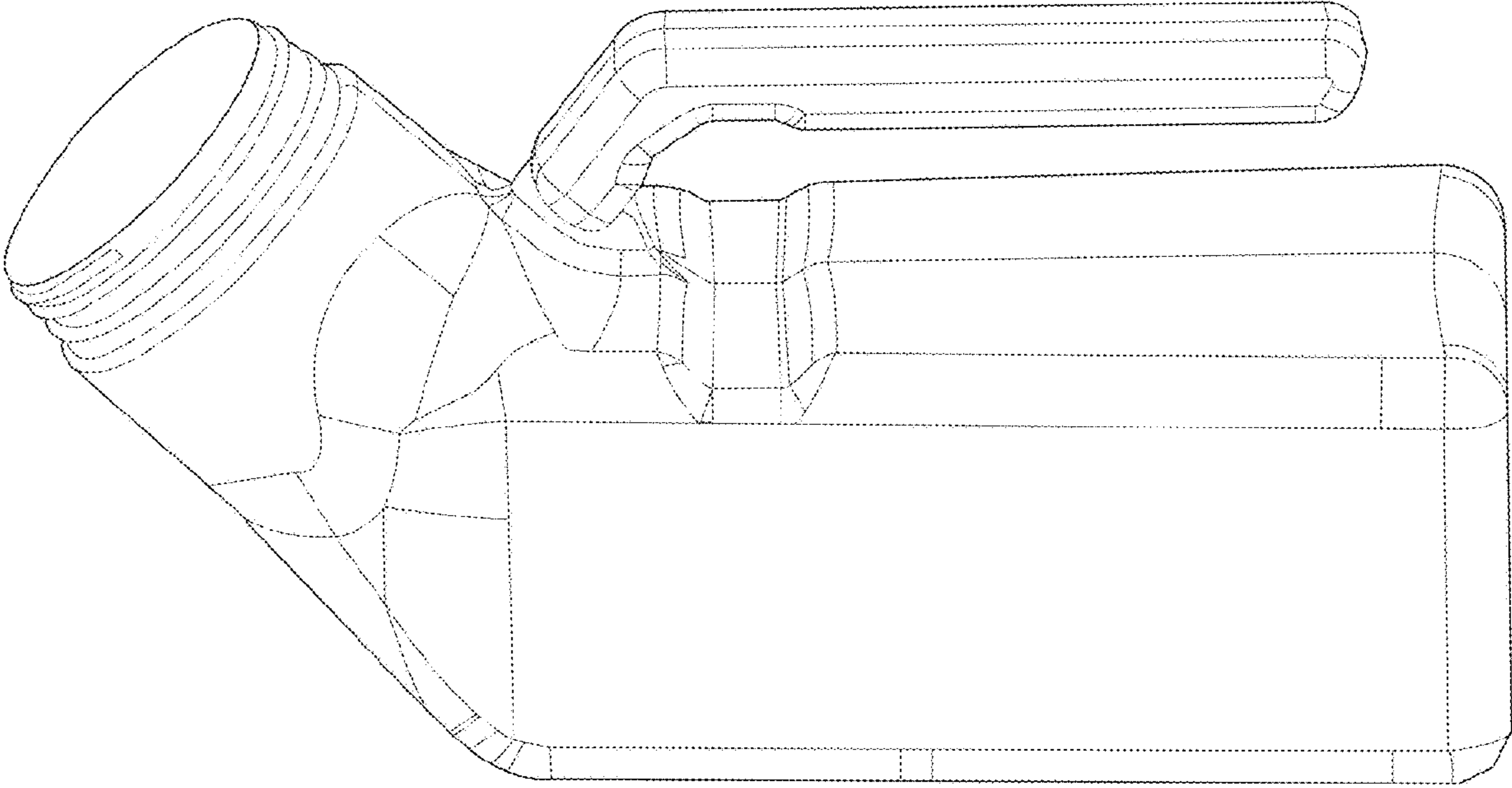


FIG. 1

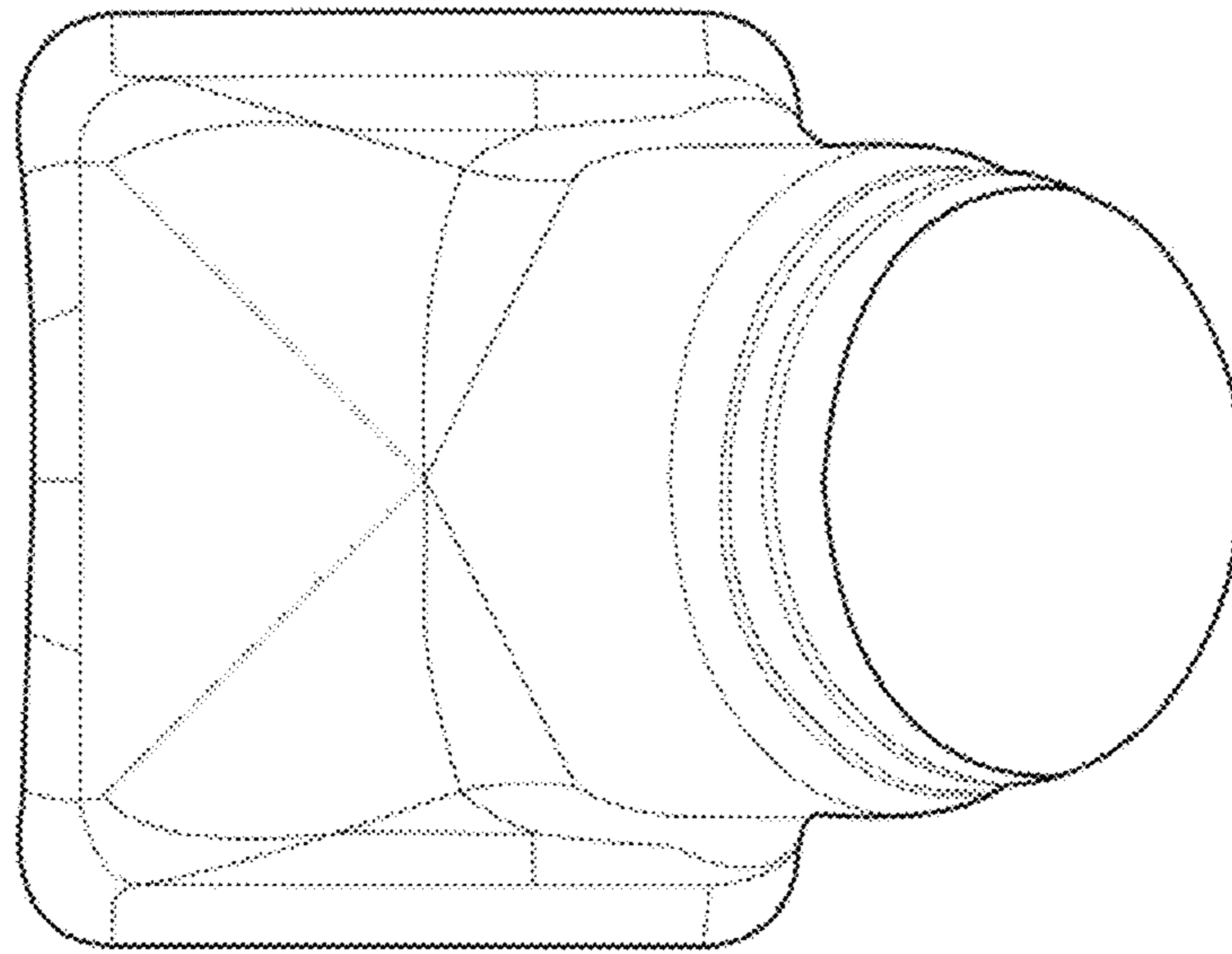


FIG. 2

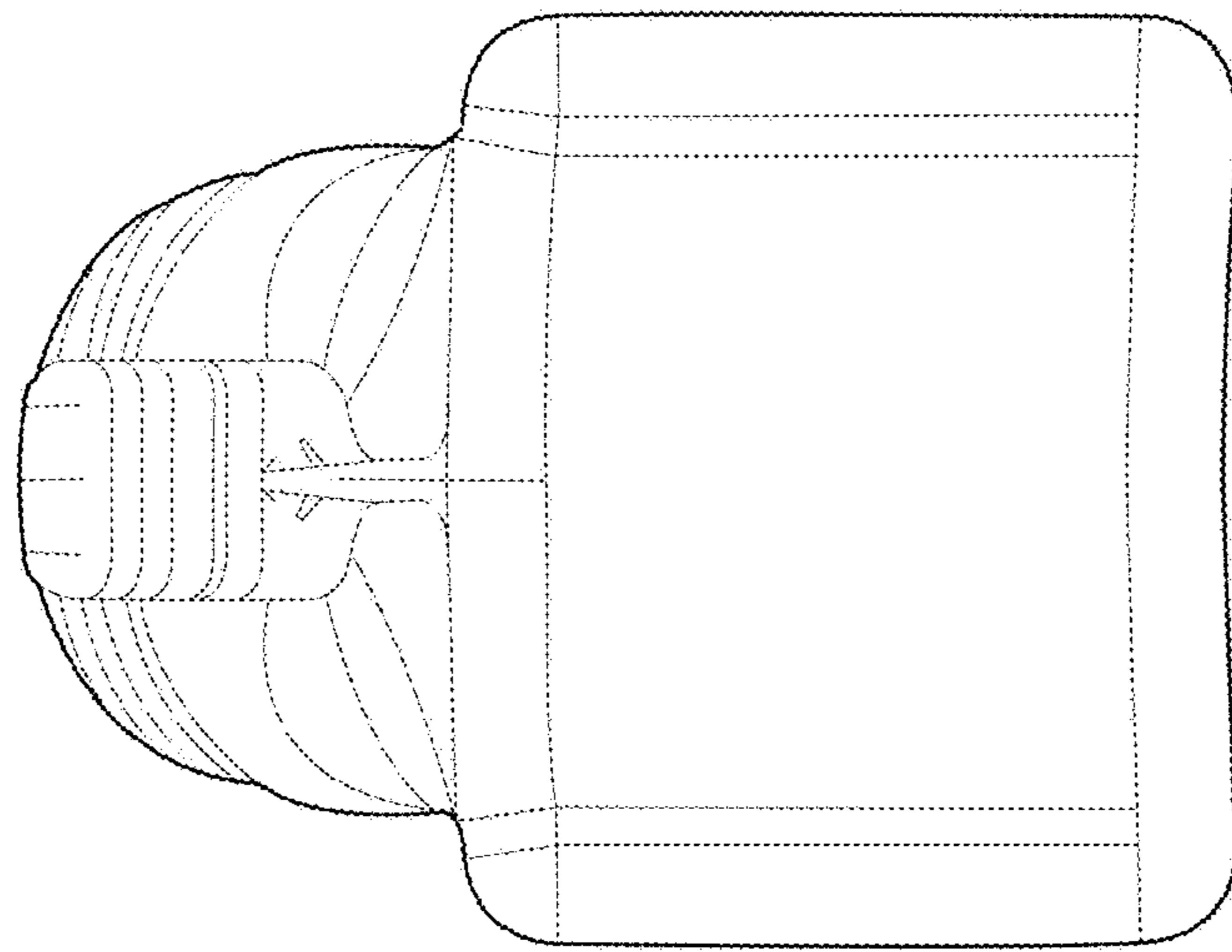


FIG. 3

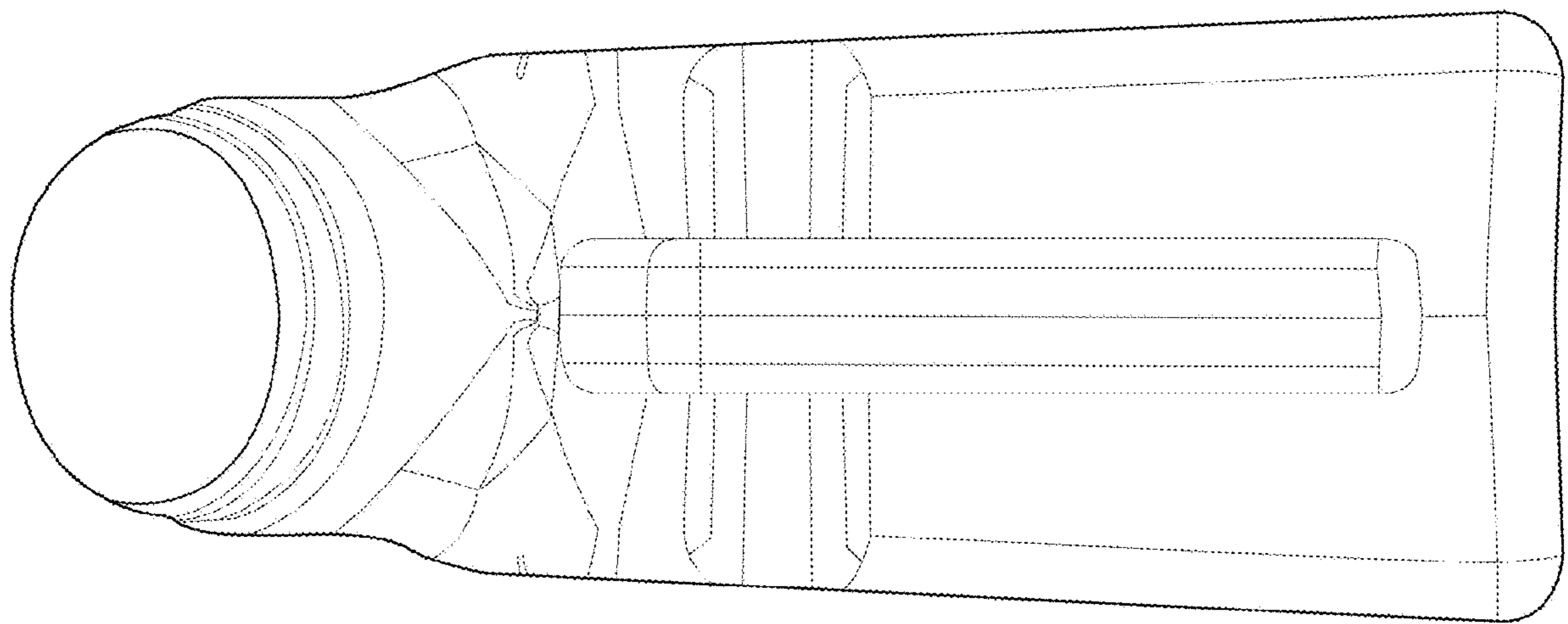


FIG. 4

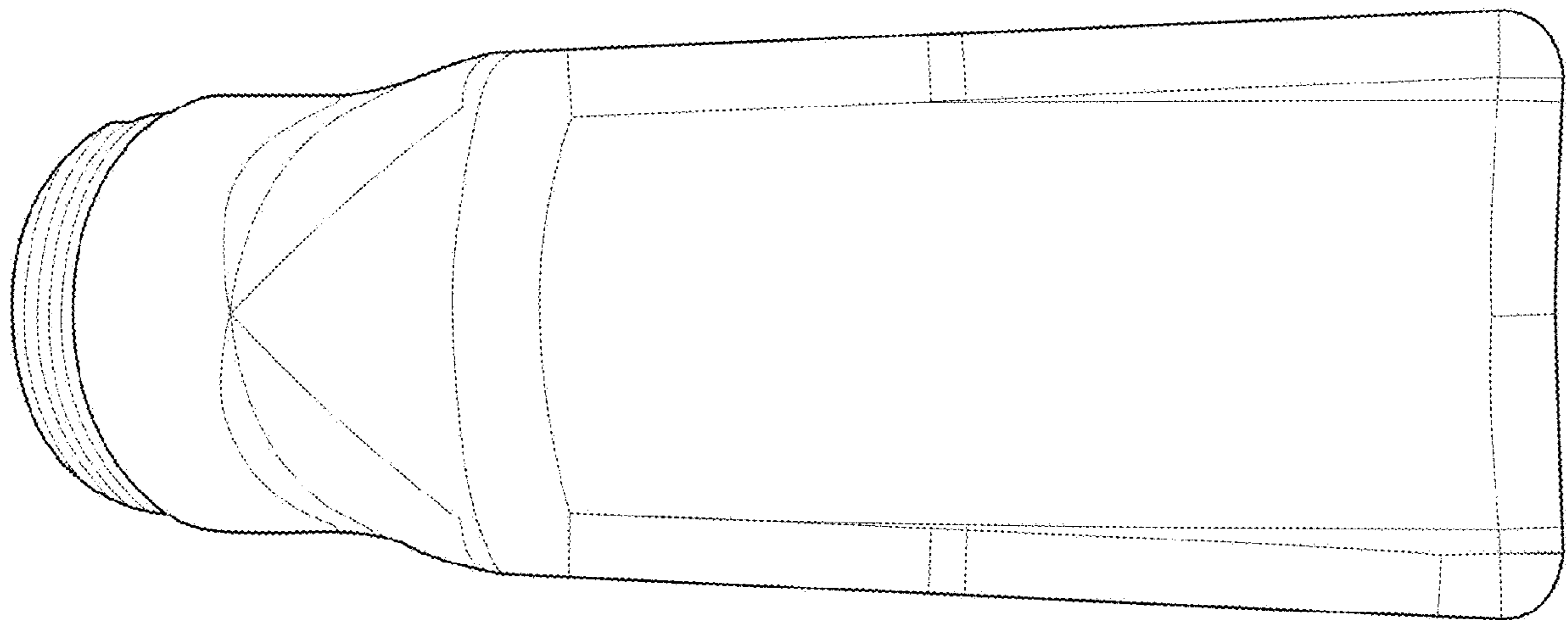


FIG. 5

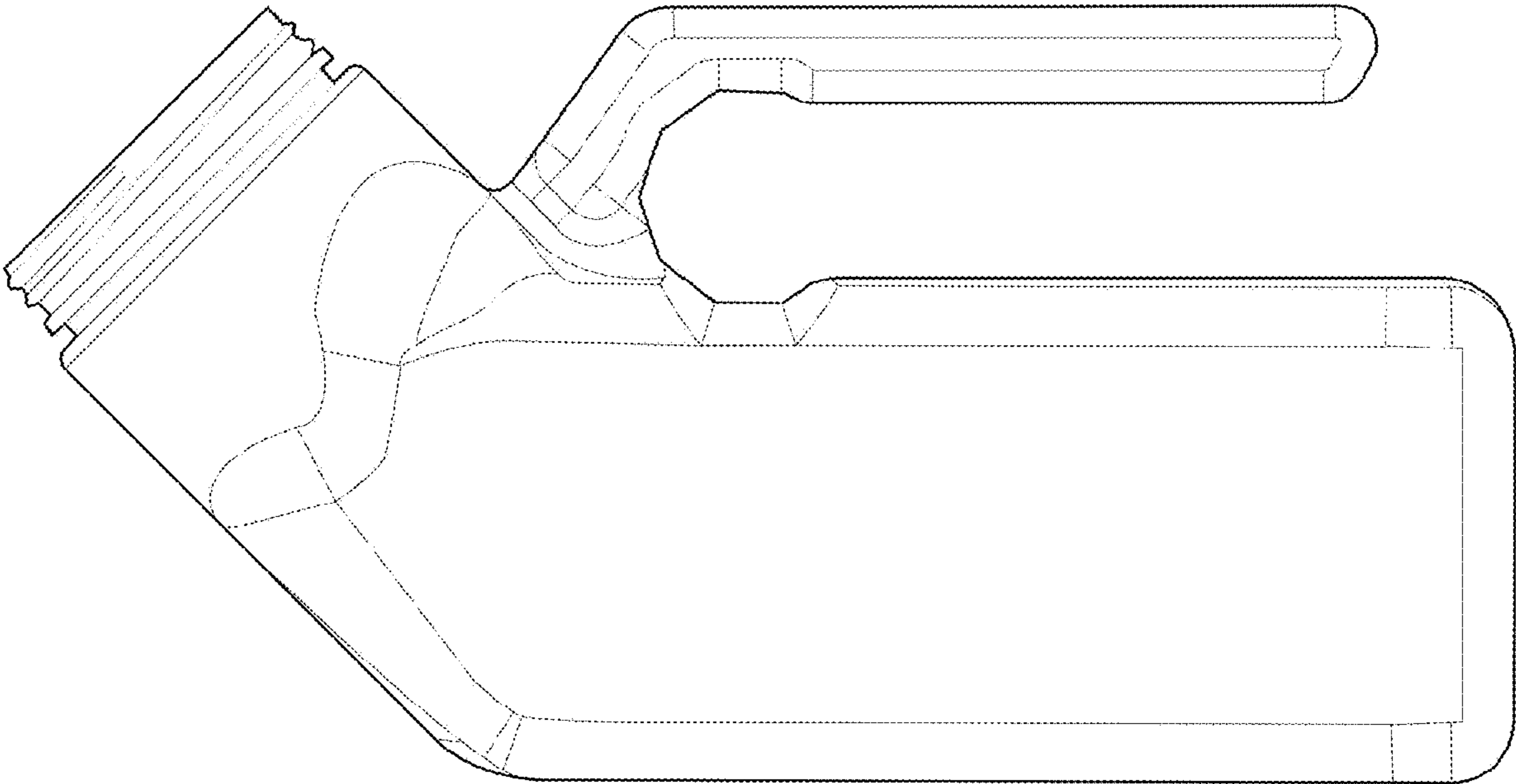


FIG. 6

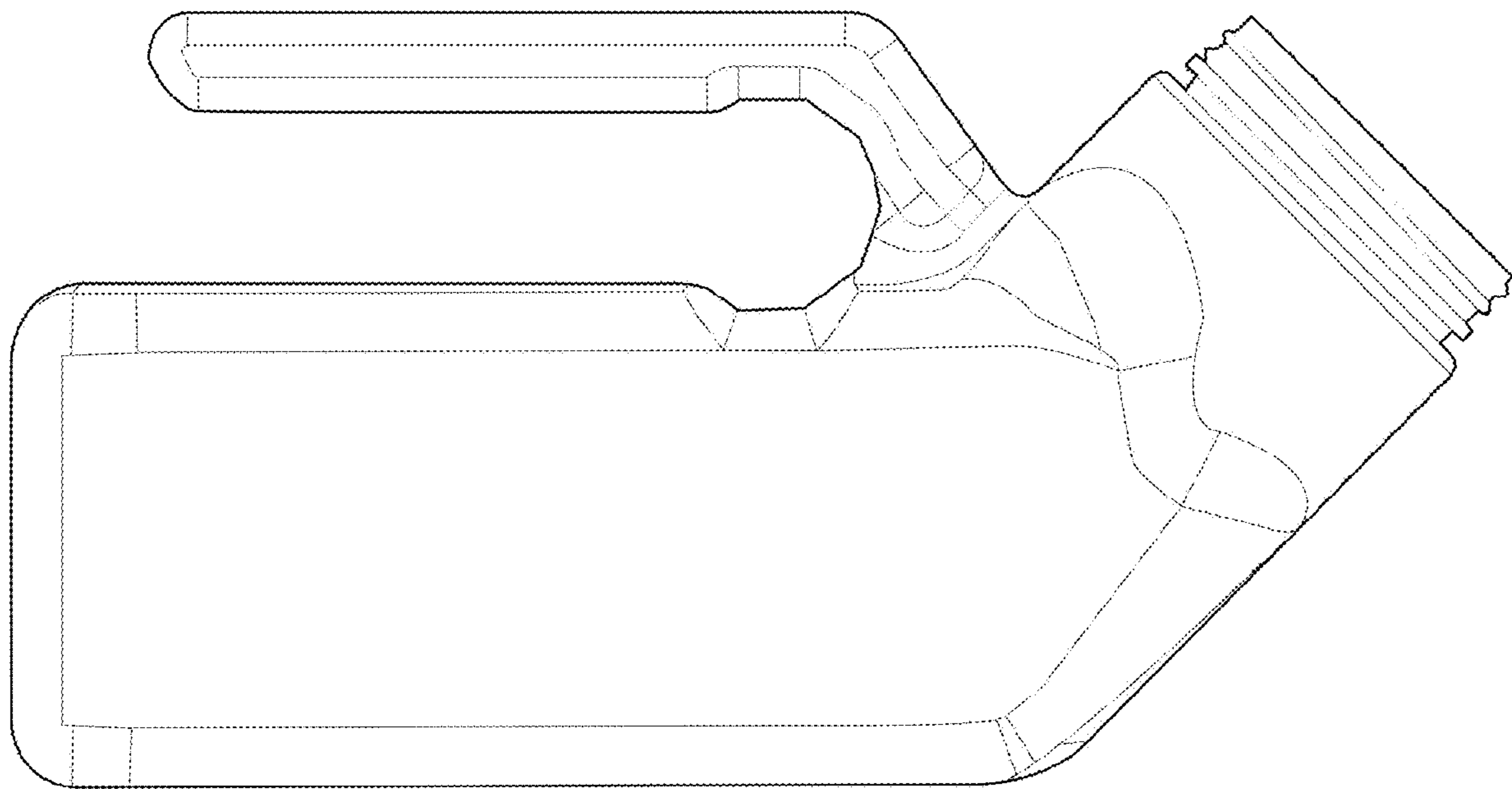


FIG. 7