



US00D950712S

(12) **United States Design Patent**
Li

(10) **Patent No.:** **US D950,712 S**

(45) **Date of Patent:** **** May 3, 2022**

(54) **NASAL IRRIGATOR**

(71) Applicant: **ChongQing Moffy Innovation Technology Co., Ltd., Chongqing (CN)**

(72) Inventor: **Li Li, Chongqing (CN)**

(**) Term: **15 Years**

(21) Appl. No.: **29/794,265**

(22) Filed: **Jun. 11, 2021**

(51) **LOC (13) Cl.** **24-04**

(52) **U.S. Cl.**
USPC **D24/111**

(58) **Field of Classification Search**
USPC D24/108, 110, 110.5, 111–113, 117, 121,
D24/127, 133, 152, 231; D4/108;
D7/509; D9/529, 686, 688, 687, 692,
D9/724
CPC A61M 31/00; A61M 3/00; A61M 30/233;
A61M 3/0262; A61M 2210/0618; A61H
35/04

See application file for complete search history.

(56) **References Cited**

U.S. PATENT DOCUMENTS

- D197,536 S * 2/1964 Brainard et al. A61M 3/0245
D9/686
- D281,861 S * 12/1985 Jones A61M 35/003
D9/542
- D295,321 S * 4/1988 Hallworth A61M 11/007
D24/110
- D307,714 S * 5/1990 Rosenberg A61M 11/08
D9/435
- D349,236 S * 8/1994 Moore A61M 15/0091
D9/692
- D367,230 S * 2/1996 Paglina A61M 3/0279
D9/529
- D375,455 S * 11/1996 Uhl D24/115
- D381,900 S * 8/1997 Hundertmark D9/542
- D384,881 S * 10/1997 Uhl B05B 1/341
D24/115

- D417,271 S * 11/1999 Denyer D24/110
- D426,300 S * 6/2000 Conforti D24/115
- D444,227 S * 6/2001 Hennemann D24/115

(Continued)

FOREIGN PATENT DOCUMENTS

- CN 303249884 * 6/2015
- CN 304159880 * 6/2017

(Continued)

OTHER PUBLICATIONS

[Nasal Irrigation Electric Spray Sinus Rinse Machine Nose Wash Cleaner Irrigator Allergy Sinus Relief for Kids Adult], Amazon.com, Date First Available: Nov. 14, 2019 [online], Customer Review Oldest Date: Apr. 20, 2018 [online], site visited: [Mar. 4, 2022], URL: <https://us.amazon.com/dp/B079NR4NXF>. (Year: 2019).*

Primary Examiner — Jonathan J Han

Assistant Examiner — Amanda J Berlinski

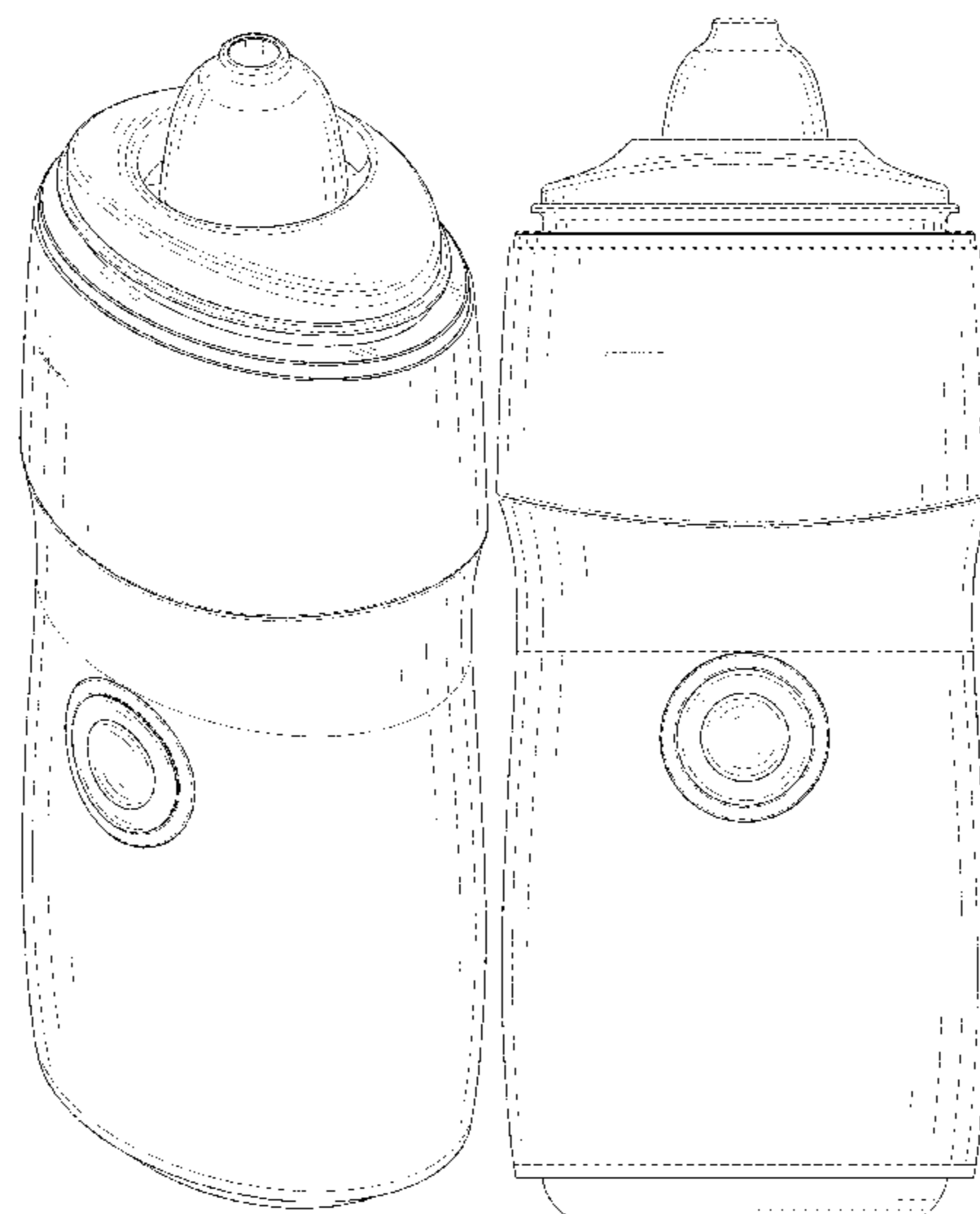
(57) **CLAIM**

The ornamental design for a nasal irrigator, as shown and described.

DESCRIPTION

FIG. 1 is a front and top perspective view of a nasal irrigator, showing my new design;
FIG. 2 is a rear and bottom perspective view thereof;
FIG. 3 is another front and top perspective view thereof;
FIG. 4 is a front elevation view thereof;
FIG. 5 is a rear elevation view thereof;
FIG. 6 is a left side elevation view thereof;
FIG. 7 is a right side elevation view thereof;
FIG. 8 is a top plan view thereof; and,
FIG. 9 is a bottom plan view thereof.
The broken lines in the figures illustrate portions of the nasal irrigator that form no part of the claimed design.

1 Claim, 9 Drawing Sheets



(56)

References Cited

U.S. PATENT DOCUMENTS

D444,296 S * 7/2001 Minagawa D3/273
 D445,177 S * 7/2001 Cogger D24/120
 6,302,101 B1 * 10/2001 Py B05B 1/341
 128/200.22
 D512,777 S * 12/2005 Beisner D24/110
 D544,956 S * 6/2007 Collins D24/114
 D544,957 S * 6/2007 Bloc D24/110
 D566,468 S * 4/2008 Sandy A61M 1/78
 D7/509
 D602,374 S * 10/2009 Gilliard, II D9/688
 D604,166 S * 11/2009 Gallo D9/551
 D616,981 S * 6/2010 Busca D9/686
 D656,403 S * 3/2012 Bernstein D9/540
 D670,373 S * 11/2012 Taylor D24/108
 D671,637 S * 11/2012 Gebski D24/176
 D690,411 S * 9/2013 Reynolds D24/108
 D743,024 S * 11/2015 McHale D24/112
 D743,809 S * 11/2015 Roth D9/529
 D778,433 S 2/2017 Li
 D821,567 S * 6/2018 Feldman D24/108
 D822,499 S * 7/2018 Lalier D9/686

D848,603 S * 5/2019 Fujino D24/110
 D849,230 S * 5/2019 Gouchtchina D24/108
 D865,160 S * 10/2019 Yan D24/111
 D895,789 S * 9/2020 Clough D24/115
 D897,525 S * 9/2020 Zhang A61M 1/78
 D24/115
 D942,030 S * 1/2022 Wang D24/214
 2007/0102455 A1 * 5/2007 Stark A61M 11/08
 222/207
 2011/0077603 A1 * 3/2011 Mehta A61M 3/0279
 604/246
 2011/0137258 A1 * 6/2011 Yadidi A61M 3/0245
 604/181
 2014/0096770 A1 * 4/2014 Neff A61M 15/0091
 128/203.15
 2020/0353183 A1 * 11/2020 Alt A61M 11/007
 2021/0113372 A1 * 4/2021 Decock A61M 35/003

FOREIGN PATENT DOCUMENTS

CN 304209957 * 7/2017
 GB 6141898 * 6/2021

* cited by examiner

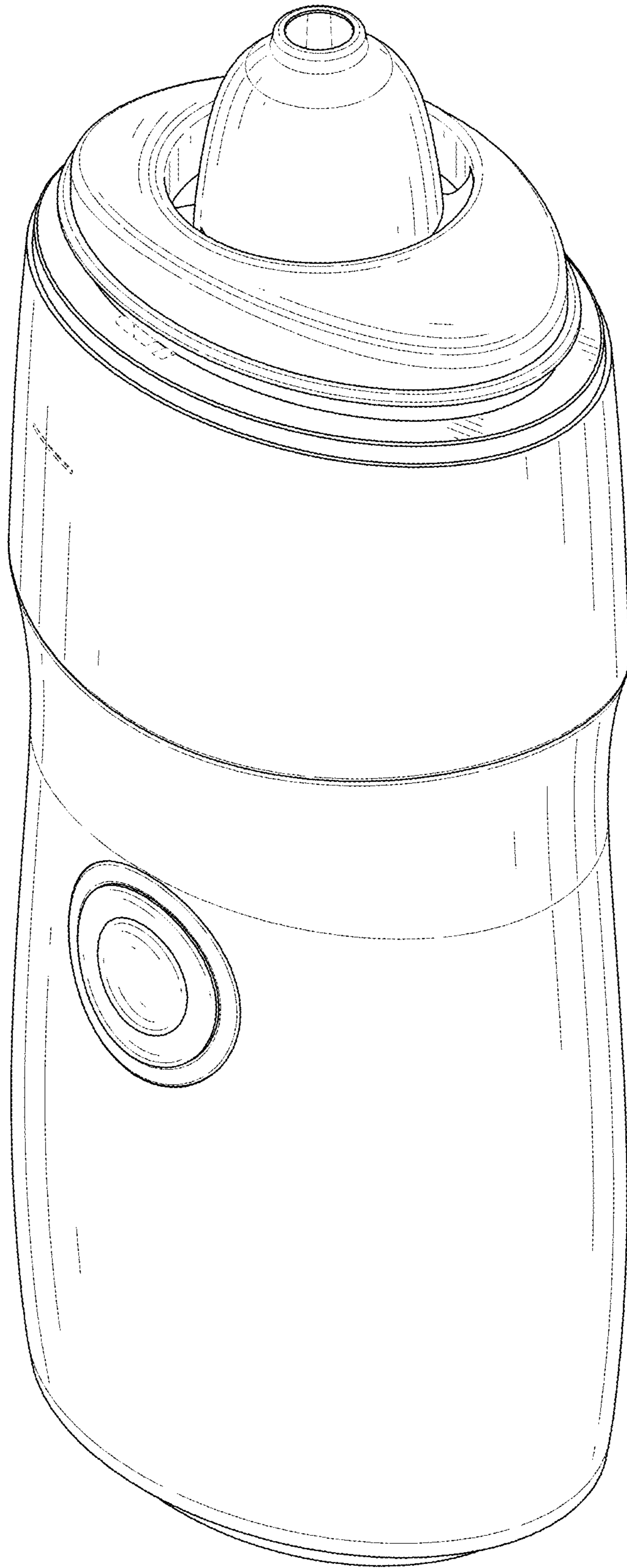


FIG. 1

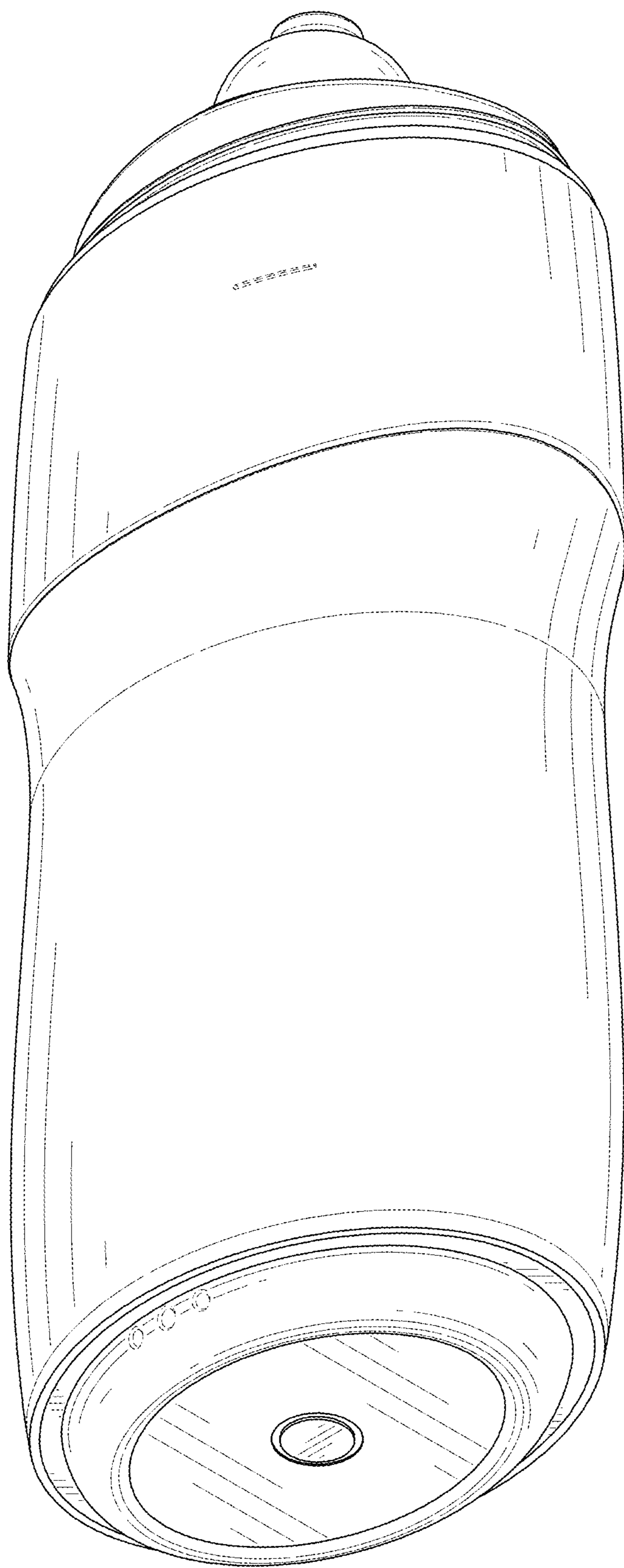


FIG. 2

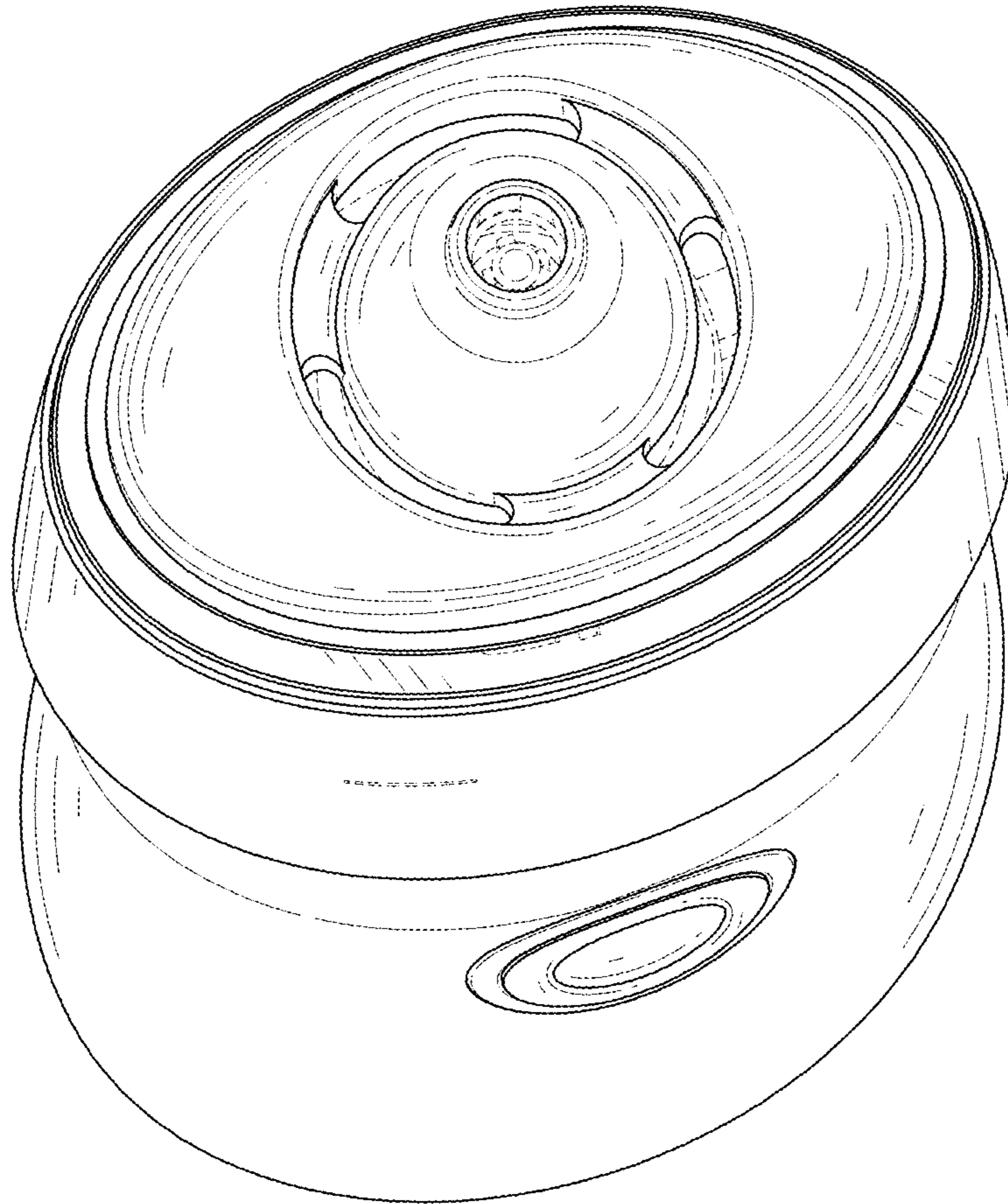


FIG. 3

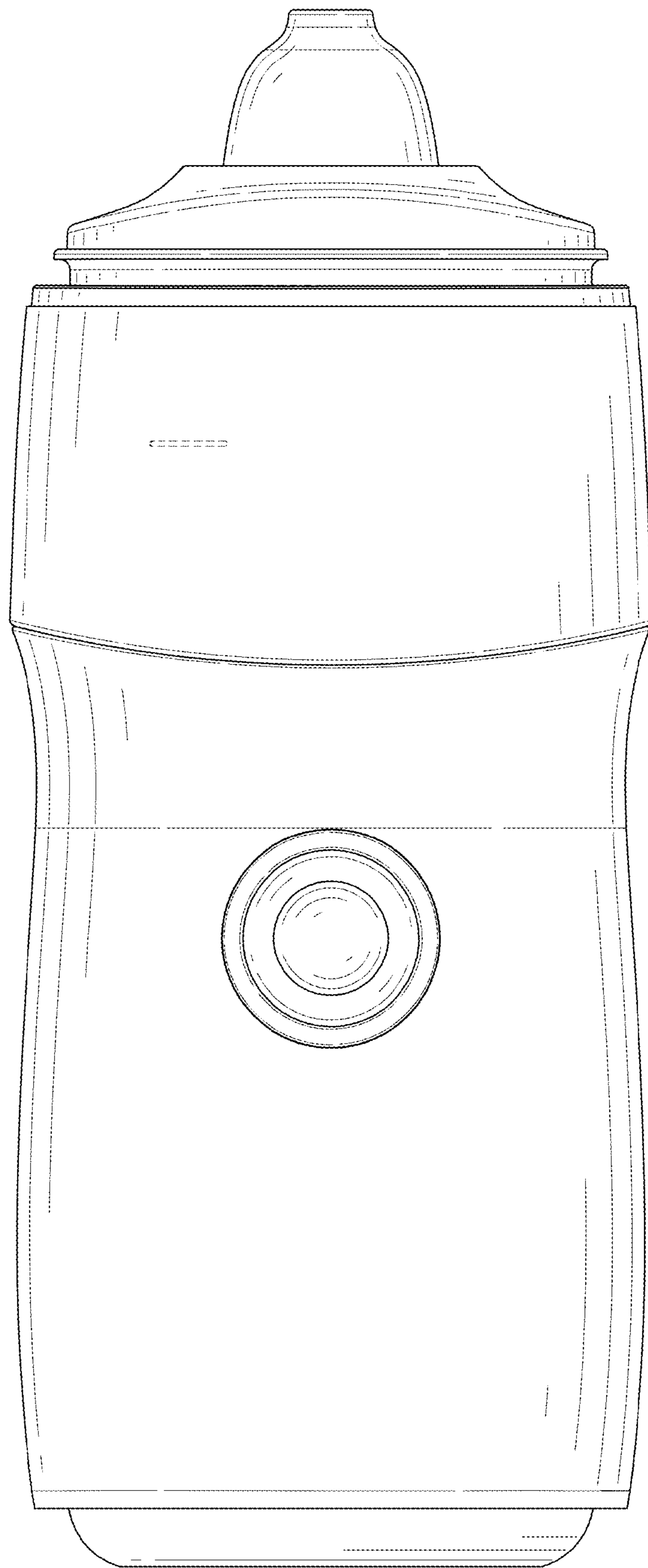


FIG. 4

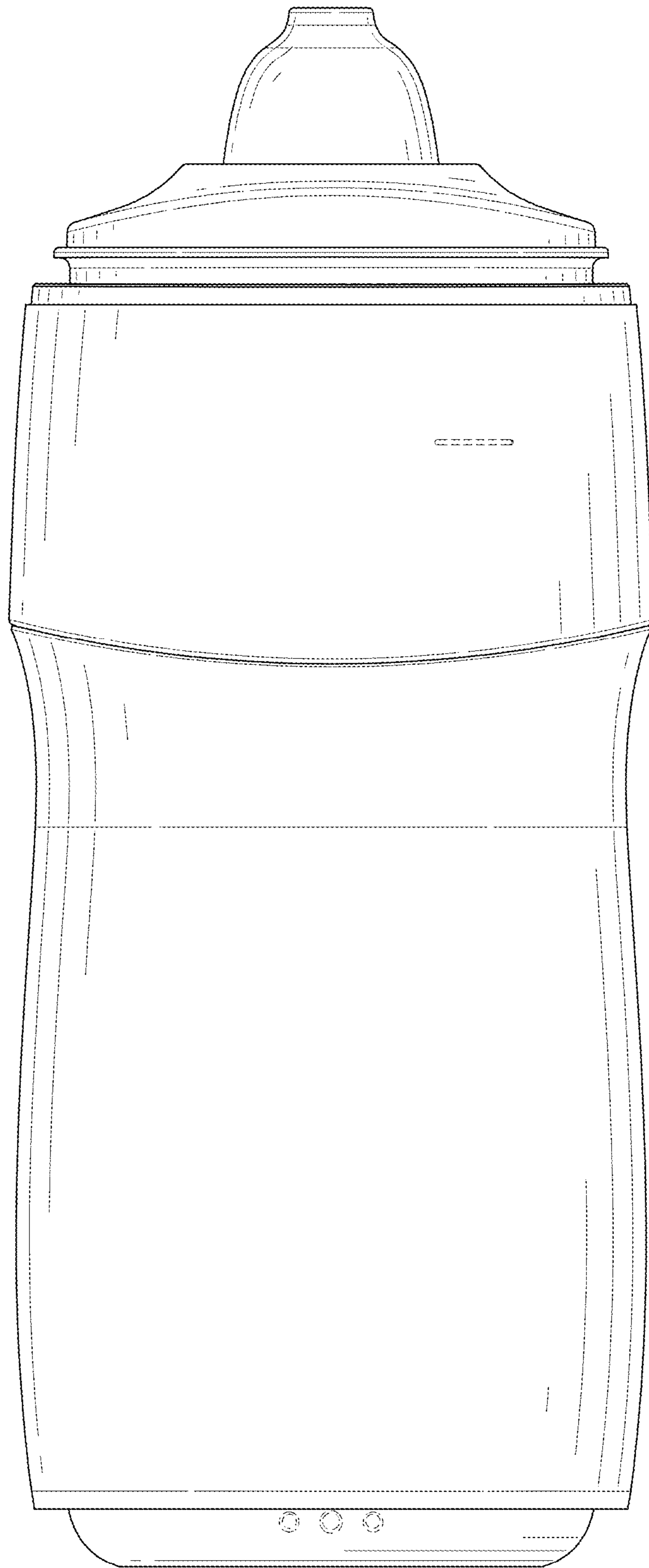


FIG. 5

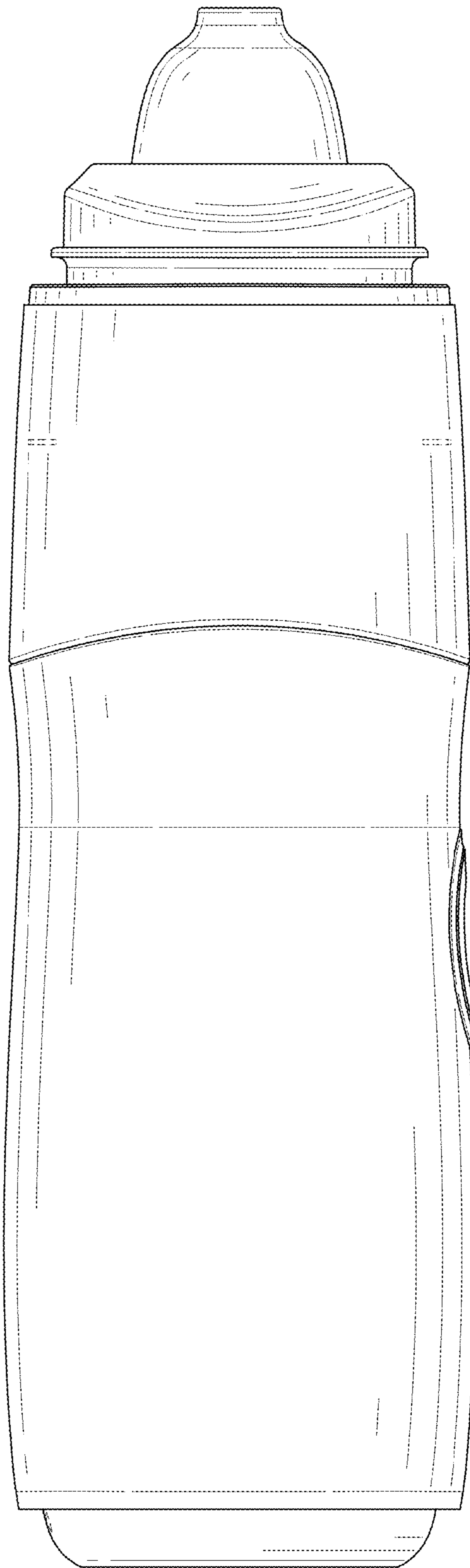


FIG. 6

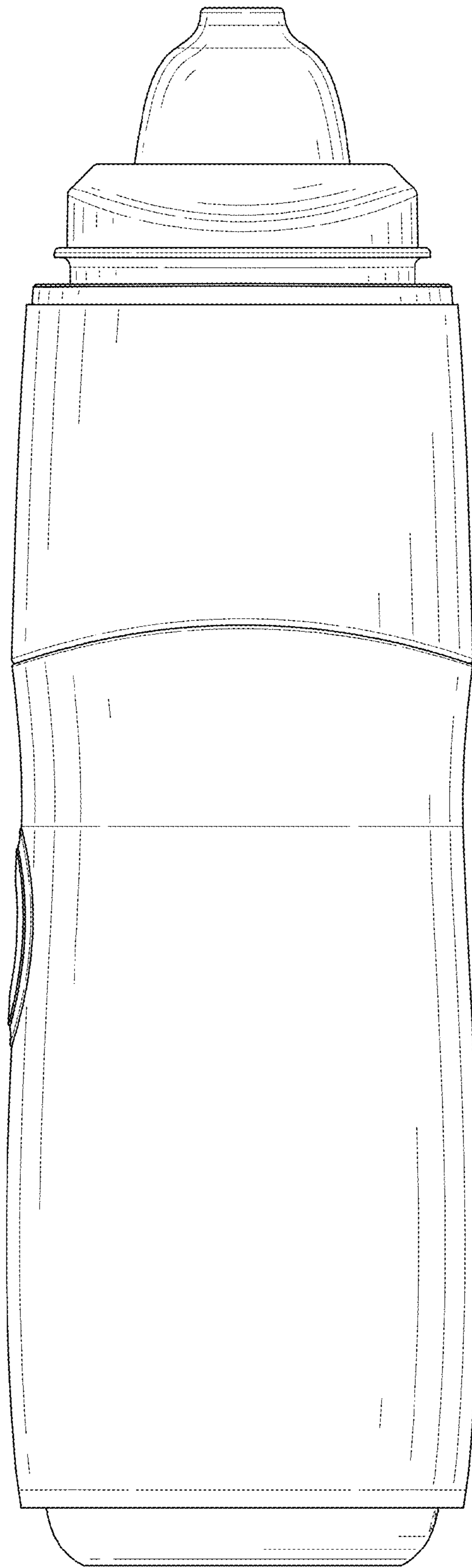


FIG. 7

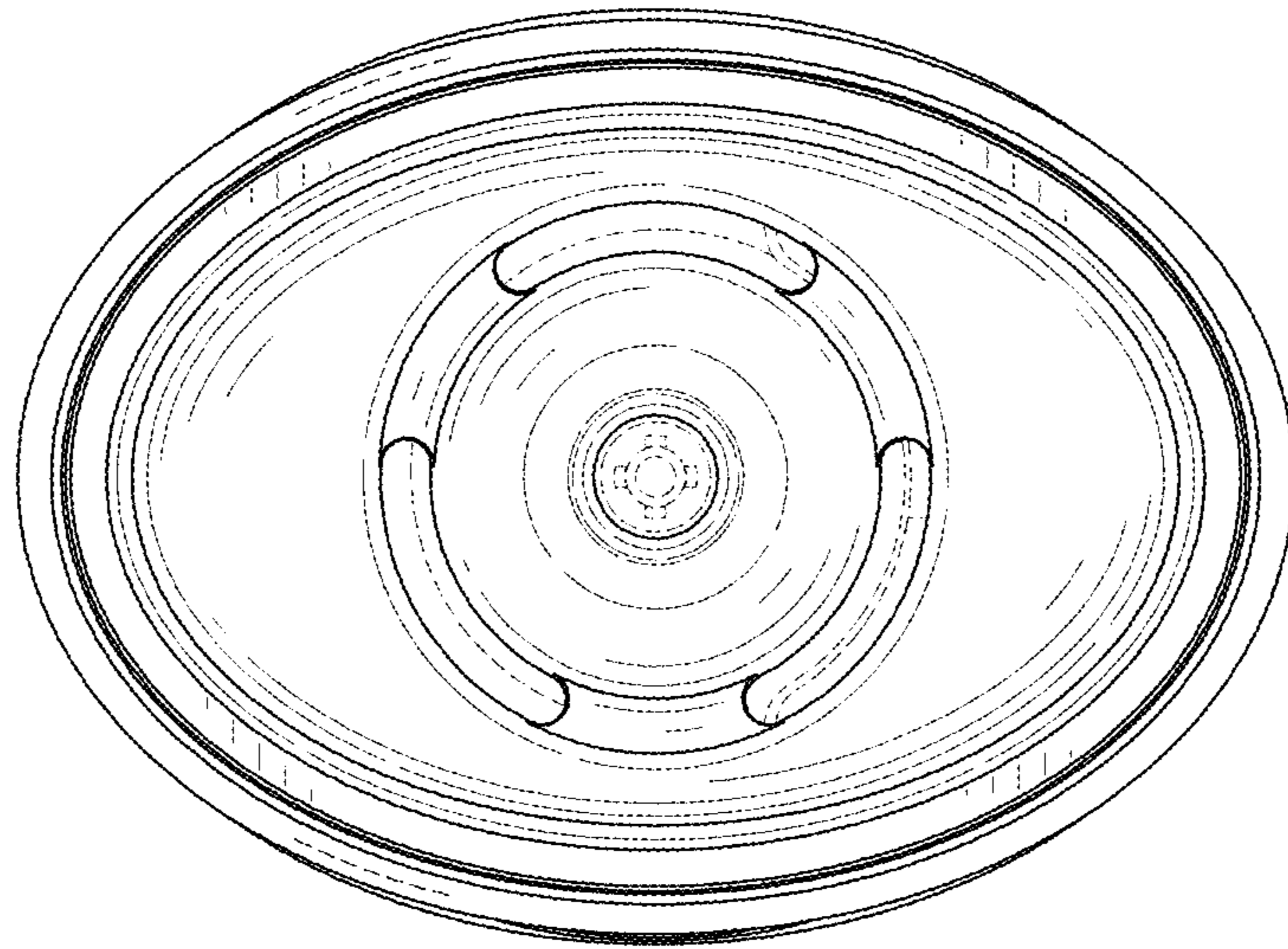


FIG. 8

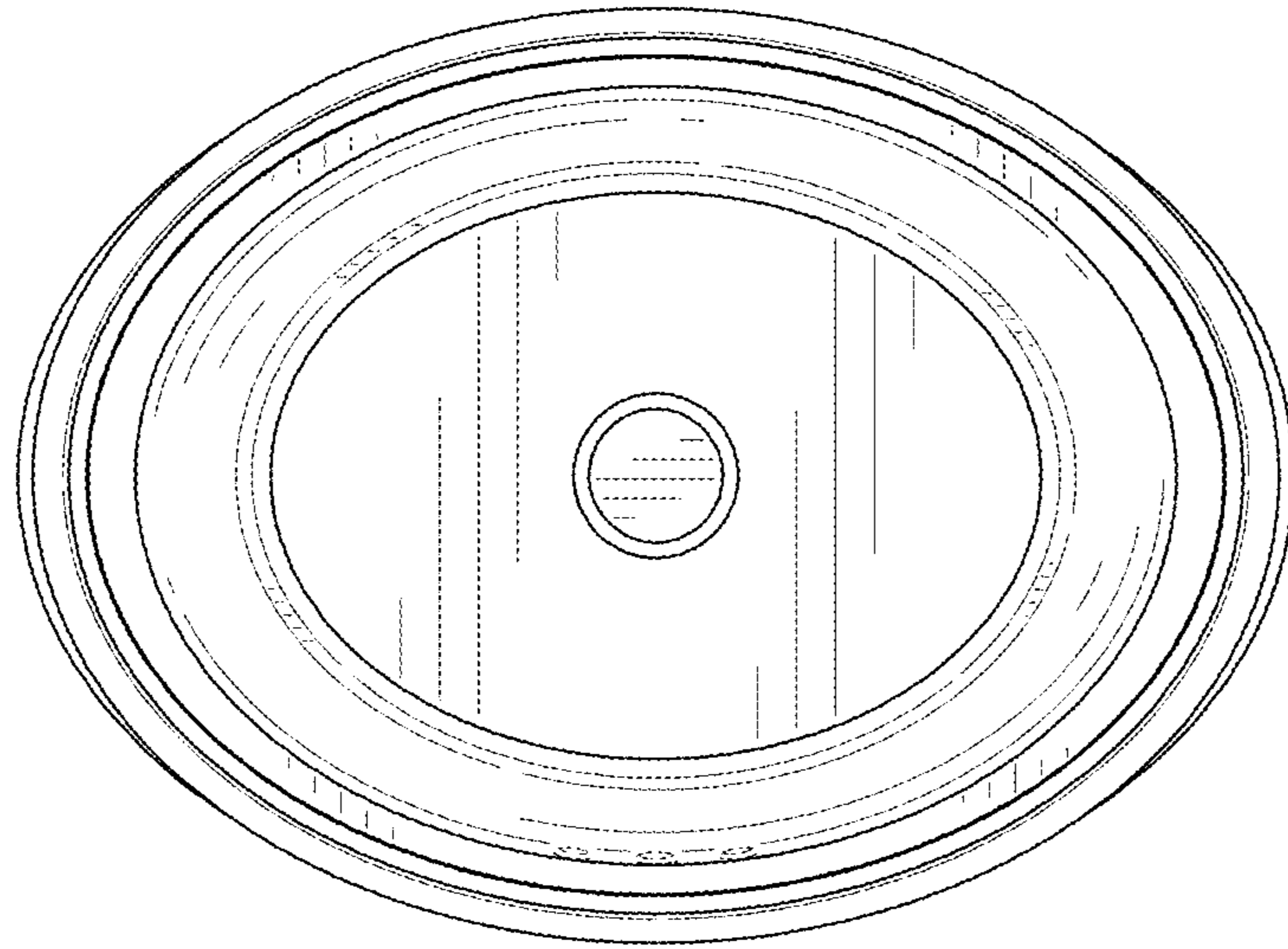


FIG. 9