



US00D950711S

(12) **United States Design Patent**
Li

(10) **Patent No.:** **US D950,711 S**
(45) **Date of Patent:** **** May 3, 2022**

(54) **NASAL IRRIGATOR**

(71) Applicant: **ChongQing Moffy Innovation Technology Co., Ltd., Chongqing (CN)**

(72) Inventor: **Li Li, Chongqing (CN)**

(**) Term: **15 Years**

(21) Appl. No.: **29/794,262**

(22) Filed: **Jun. 11, 2021**

(51) **LOC (13) Cl.** **24-04**

(52) **U.S. Cl.**
USPC **D24/111**

(58) **Field of Classification Search**
USPC D24/107, 108, 110, 110.5, 111–113, 117,
D24/121, 127, 133, 152, 203, 231;
D9/523, 524, 530; D23/360
CPC B05B 11/043; A61M 31/00; A61M 3/00;
A61M 30/233; A61M 3/0262; A61M
2210/0618; A61H 35/04

See application file for complete search history.

(56) **References Cited**

U.S. PATENT DOCUMENTS

- 1,248,891 A * 12/1917 Nichols A61M 3/0262
604/48
- 2,470,297 A * 5/1949 Fields A61M 15/0013
128/203.15
- D182,860 S * 5/1958 Szajna D9/724
- D191,251 S * 8/1961 Zackheim D9/741
- D242,176 S * 11/1976 Levine D24/110
- D266,701 S * 10/1982 Marloth D23/360
- D295,321 S * 4/1988 Hallworth D24/110
- D313,348 S * 1/1991 Ali D9/527
- D355,853 S * 2/1995 Schmitt D9/527
- 5,921,236 A * 7/1999 Ohki A61M 15/0033
128/203.15
- D450,116 S * 11/2001 Dal Toso D24/110
- D483,115 S * 12/2003 Pasternak D24/110
- D491,670 S * 6/2004 Leung D24/203
- D533,650 S * 12/2006 Ohta D23/360

- D535,372 S * 1/2007 Kaizuka D23/360
- D612,933 S * 3/2010 Prentice D24/110.4
- D614,497 S * 4/2010 Pola D9/449
- D621,506 S * 8/2010 Khen D24/107
- D623,287 S * 9/2010 Hoke D24/108

(Continued)

FOREIGN PATENT DOCUMENTS

GB 6141897 * 6/2021

OTHER PUBLICATIONS

[Navage Nasal Irrigation Essentials Bundle: Navage Nose Cleaner, 20 SaltPods, & Triple-Tier Countertop Caddy. Clean Nose, Healthy Life! Breathe Better Now!], Amazon.com, Date First Available: Oct. 27, 2015 [online], Customer Review Oldest Date: Oct. 10, 2015 [online], site visited: [Mar. 4, 2022], URL: <https://www.amazon.com/dp/B01787L5MO>. (Year: 2015).*

(Continued)

Primary Examiner — Jonathan J Han
Assistant Examiner — Amanda J Berlinski

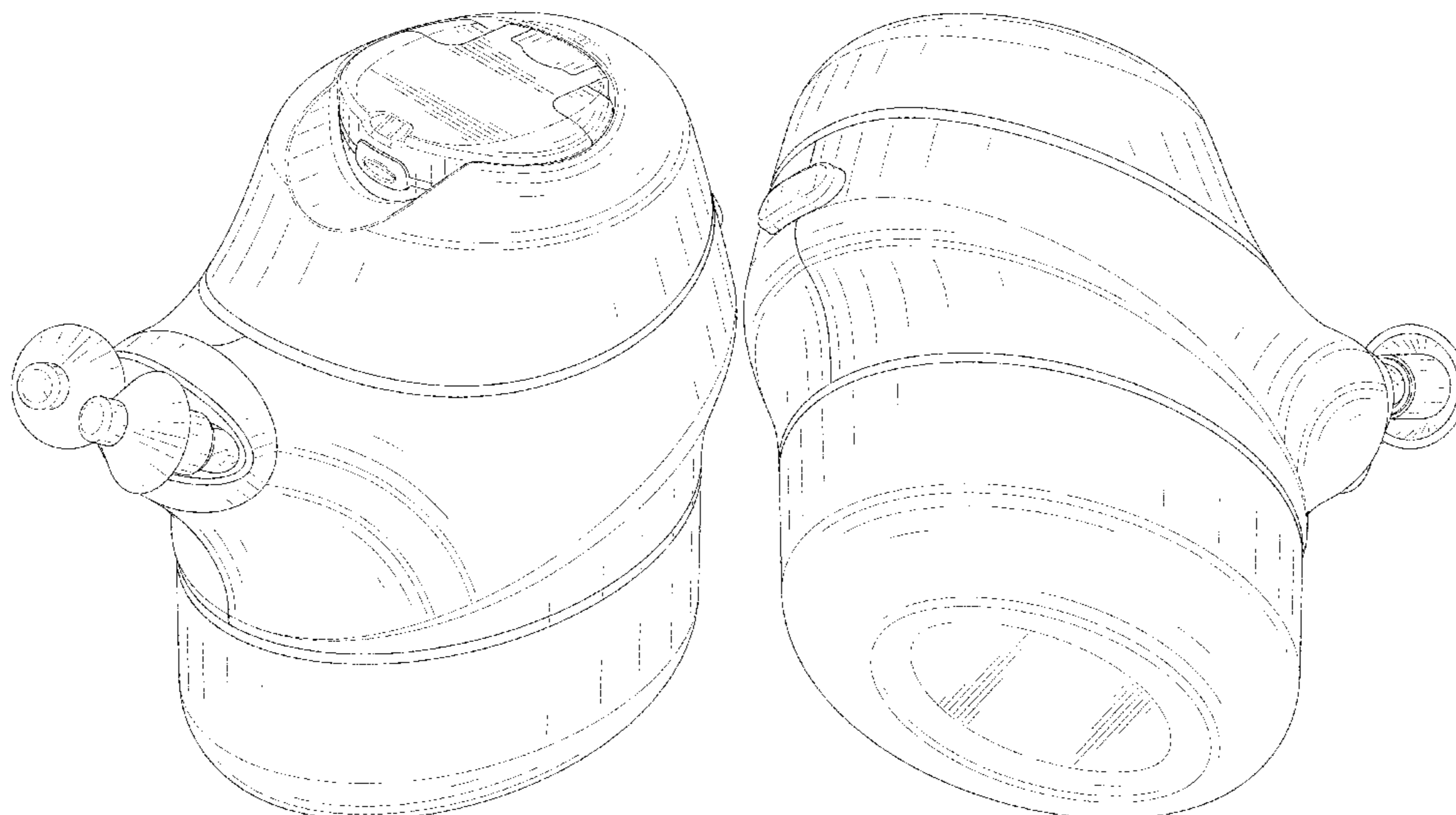
(57) **CLAIM**

The ornamental design for a nasal irrigator, as shown and described.

DESCRIPTION

FIG. 1 is a front and top perspective view of a nasal irrigator, showing my new design;
FIG. 2 is a rear and bottom perspective view thereof;
FIG. 3 is a rear elevation view thereof;
FIG. 4 is a front elevation view thereof;
FIG. 5 is a right side elevation view thereof;
FIG. 6 is a left side elevation view thereof;
FIG. 7 is a top plan view thereof; and,
FIG. 8 is a bottom plan view thereof.
The broken lines in the figures illustrate portions of the nasal irrigator that form no part of the claimed design.

1 Claim, 8 Drawing Sheets



(56)

References Cited

U.S. PATENT DOCUMENTS

D627,057	S *	11/2010	Gallo	D24/108
D704,825	S *	5/2014	Flickinger	D24/110
D709,617	S *	7/2014	Iliesco de Grimaldi	D24/203
D743,798	S *	11/2015	Staab	D9/571
D776,252	S *	1/2017	Hoke	D24/108
D778,433	S	2/2017	Li	
D828,543	S *	9/2018	Khan	D24/114
D861,906	S *	10/2019	Matsushita	D24/203
D894,369	S *	8/2020	Salmon	D24/110
10,799,695	B2 *	10/2020	Ackermann	A61N 1/36132
11,207,057	B1 *	12/2021	Vu	A61M 3/0287
2011/0139149	A1 *	6/2011	Cacka	A61H 35/04
				128/200.14
2012/0330239	A1 *	12/2012	Hoke	A61M 1/0058
				604/151
2013/0041329	A1 *	2/2013	Huy	A61M 3/0241
				604/257

OTHER PUBLICATIONS

[Nasal irrigator], medicalexpo.com, Available: 2022 [online], site visited: [Mar. 4, 2022], URL: <<https://www.medicalexpo.com/prod/shanghai-sonmol-medical-devices/product-299364-1024612.html>>. (Year: 2022).*

* cited by examiner

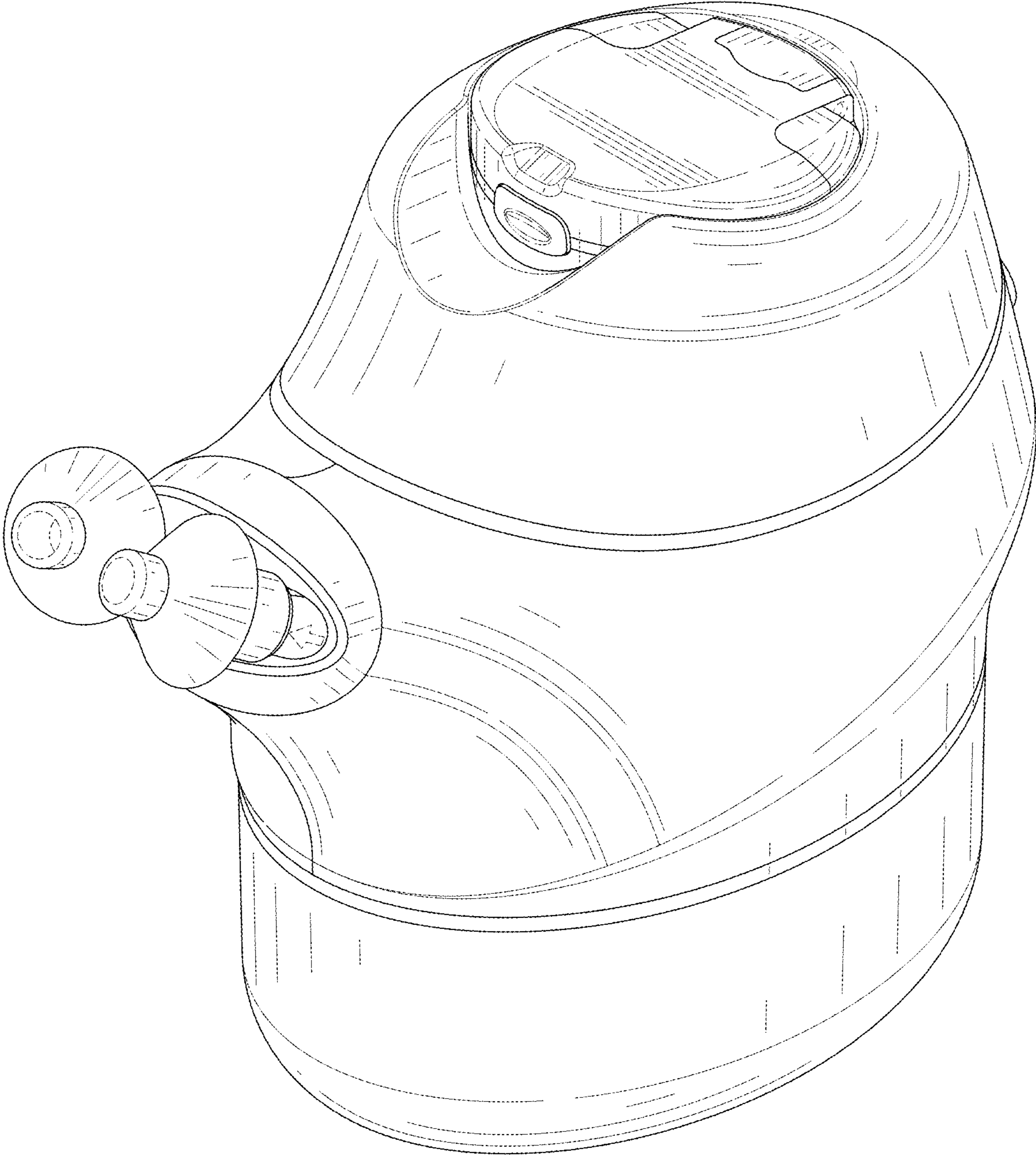


FIG. 1

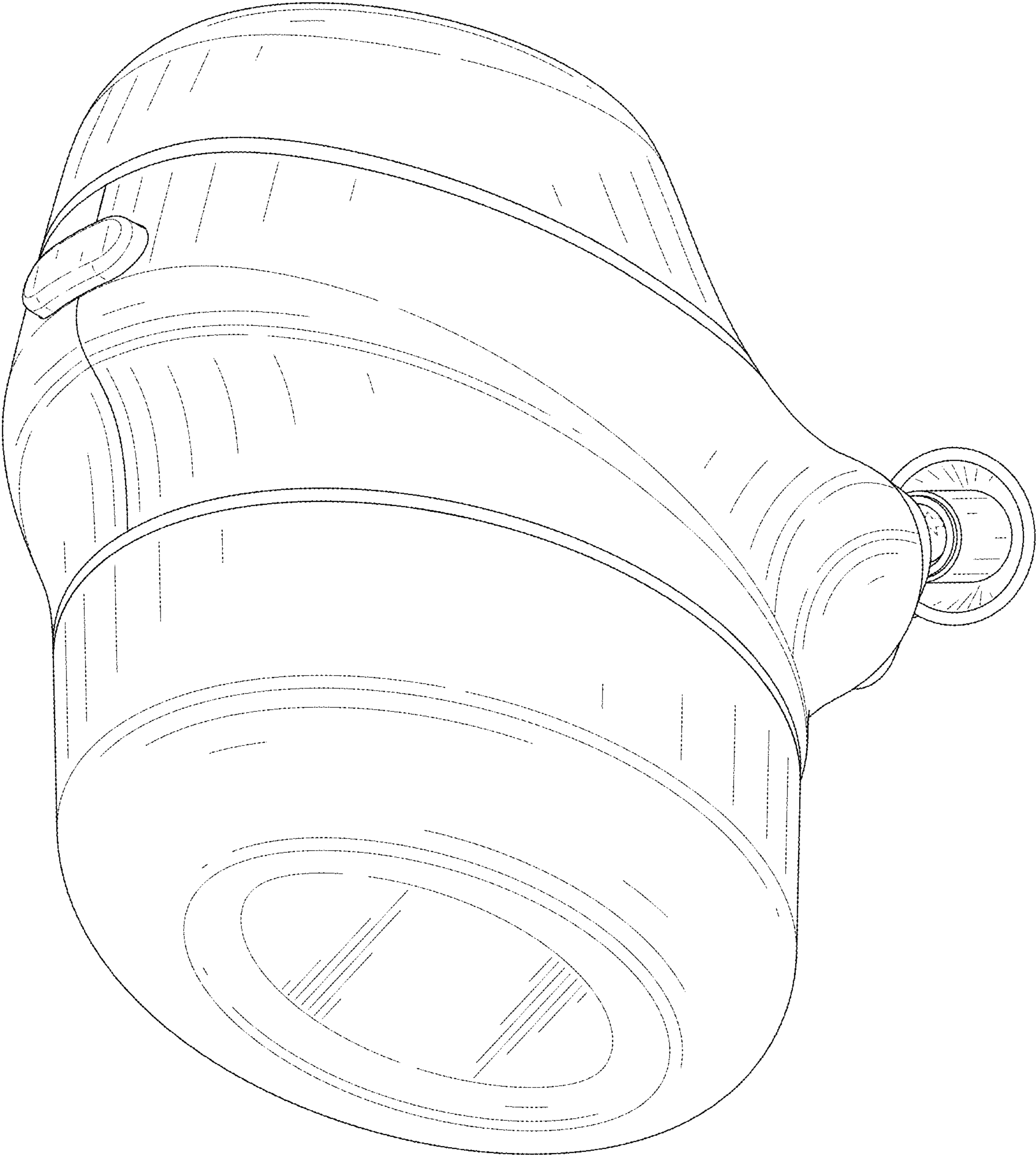


FIG. 2

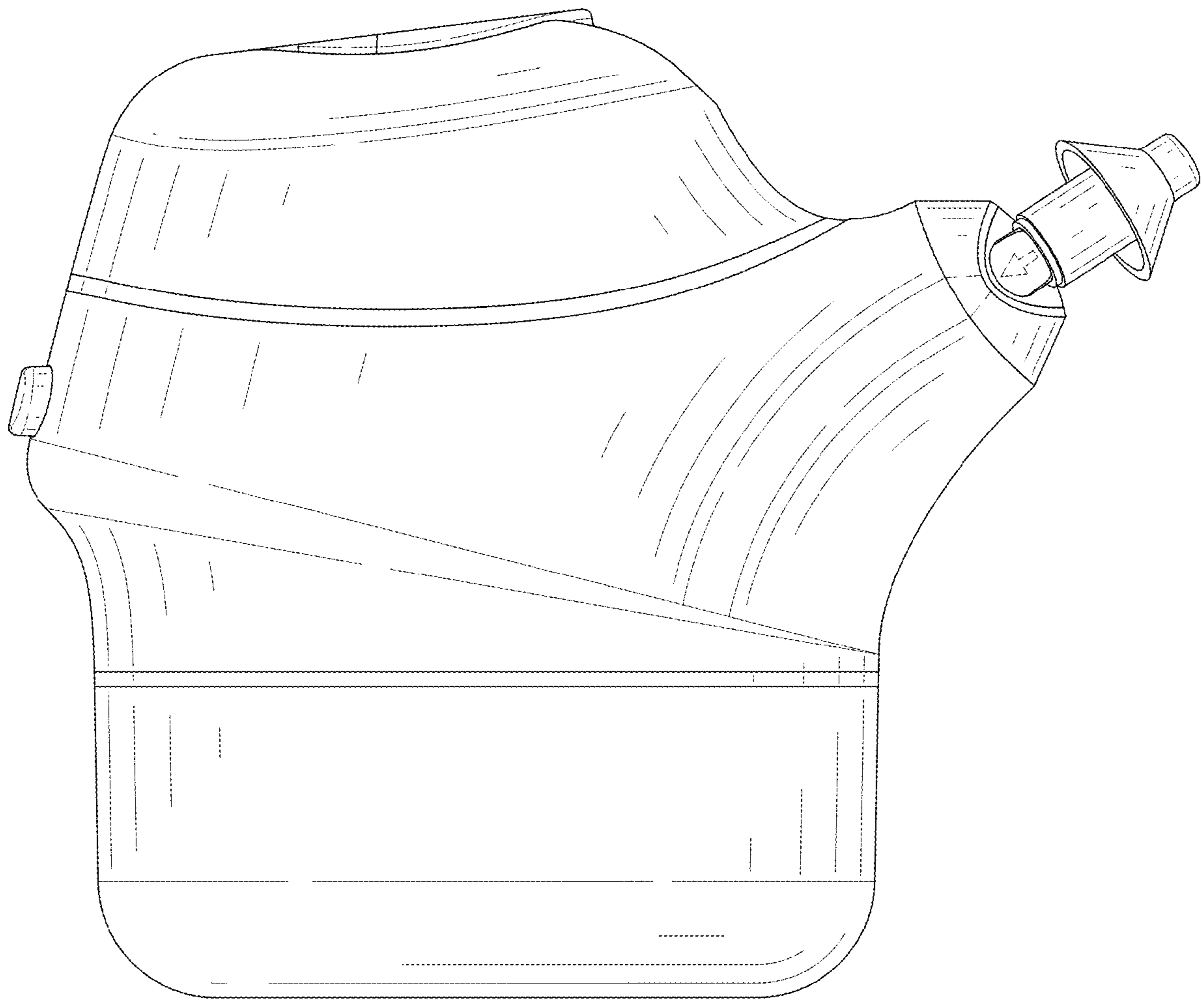


FIG. 3

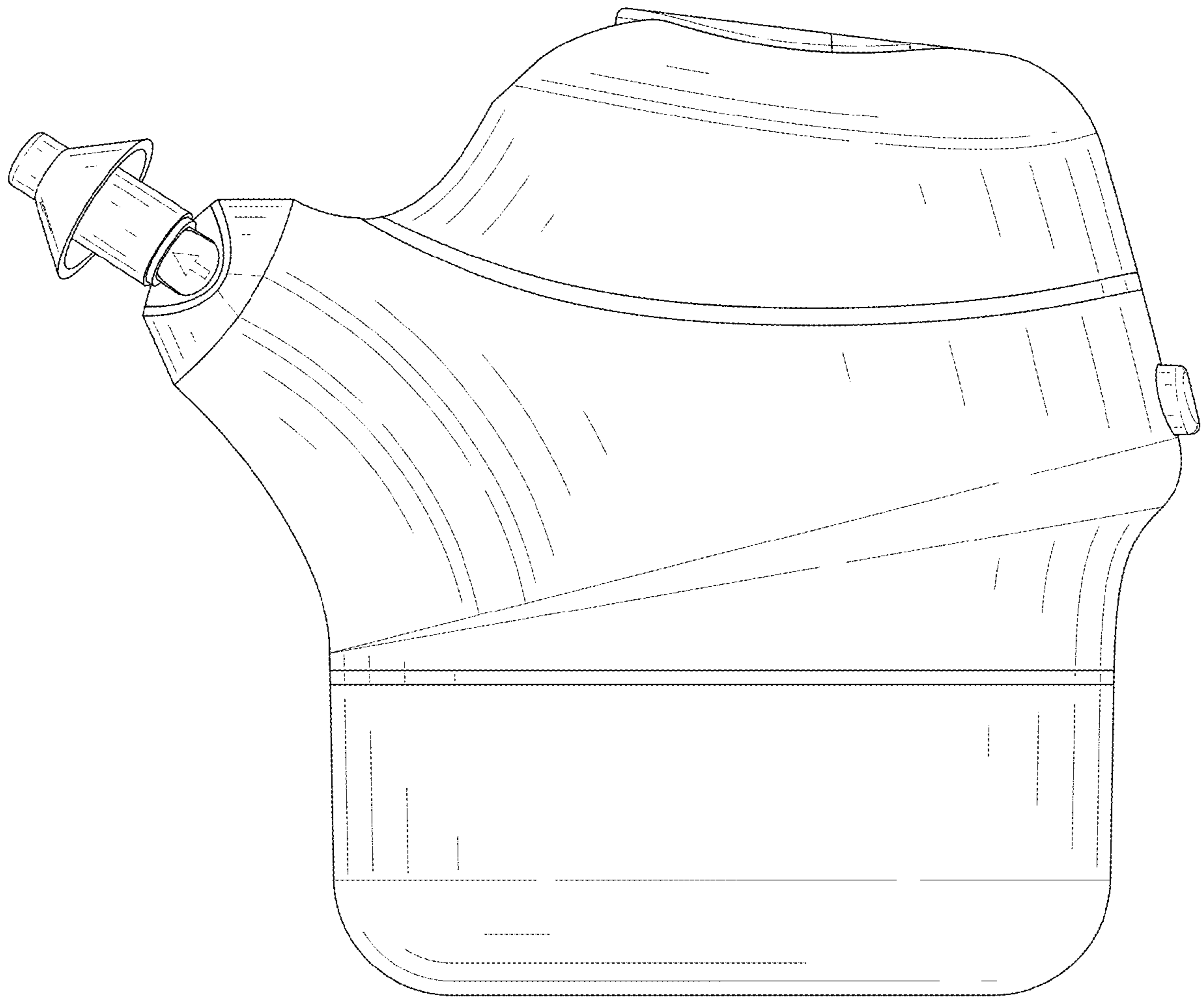


FIG. 4

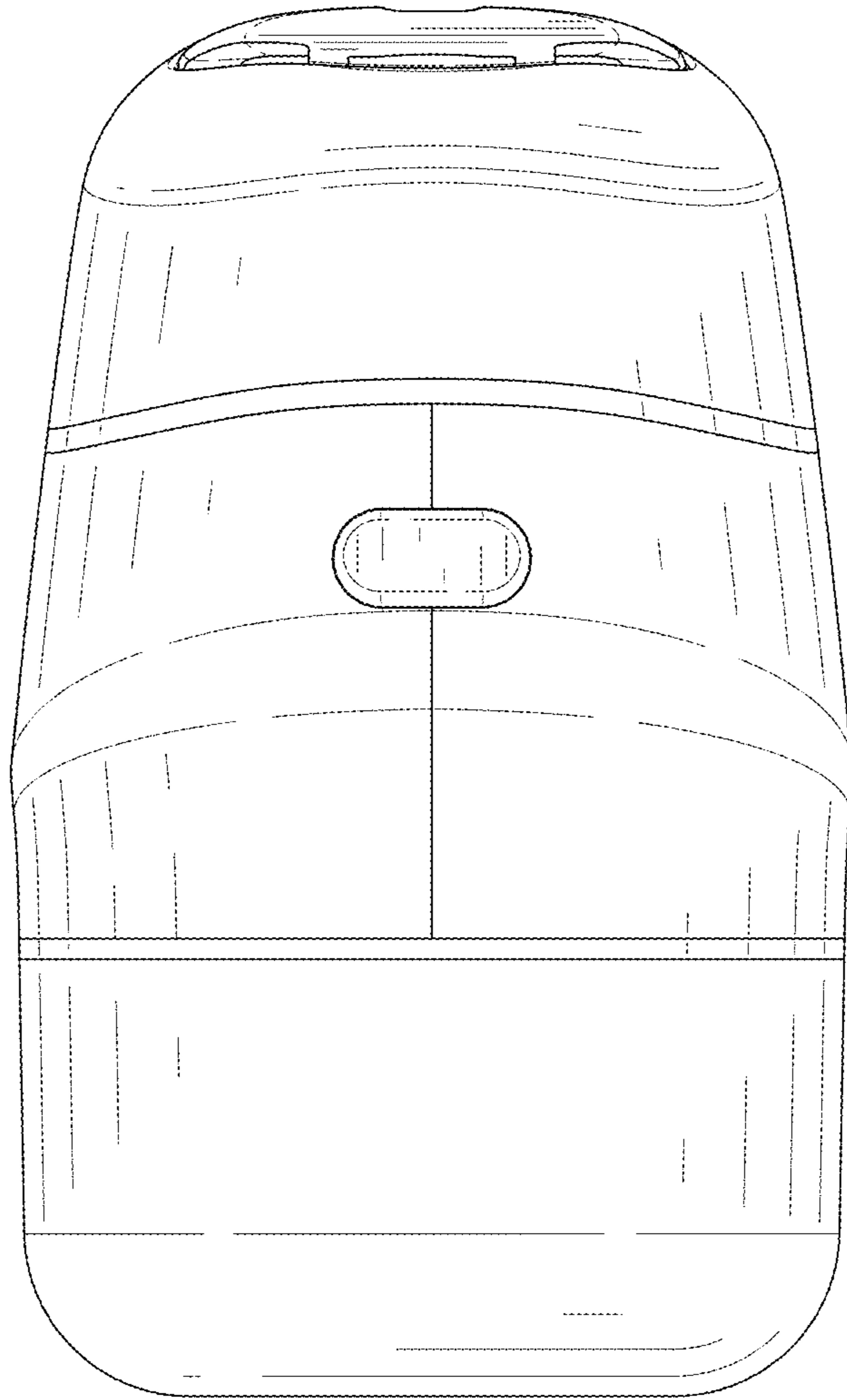


FIG. 5

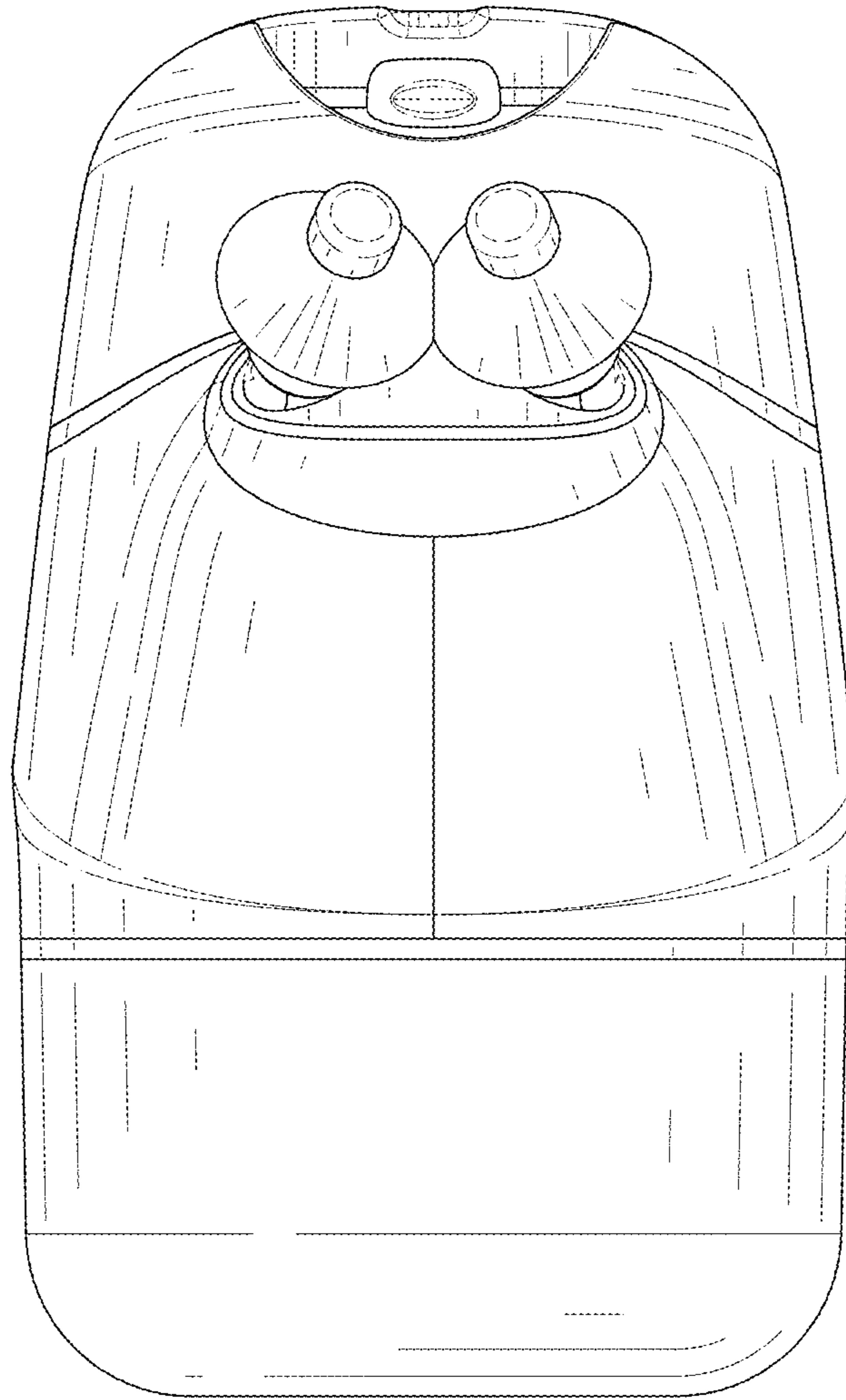


FIG. 6

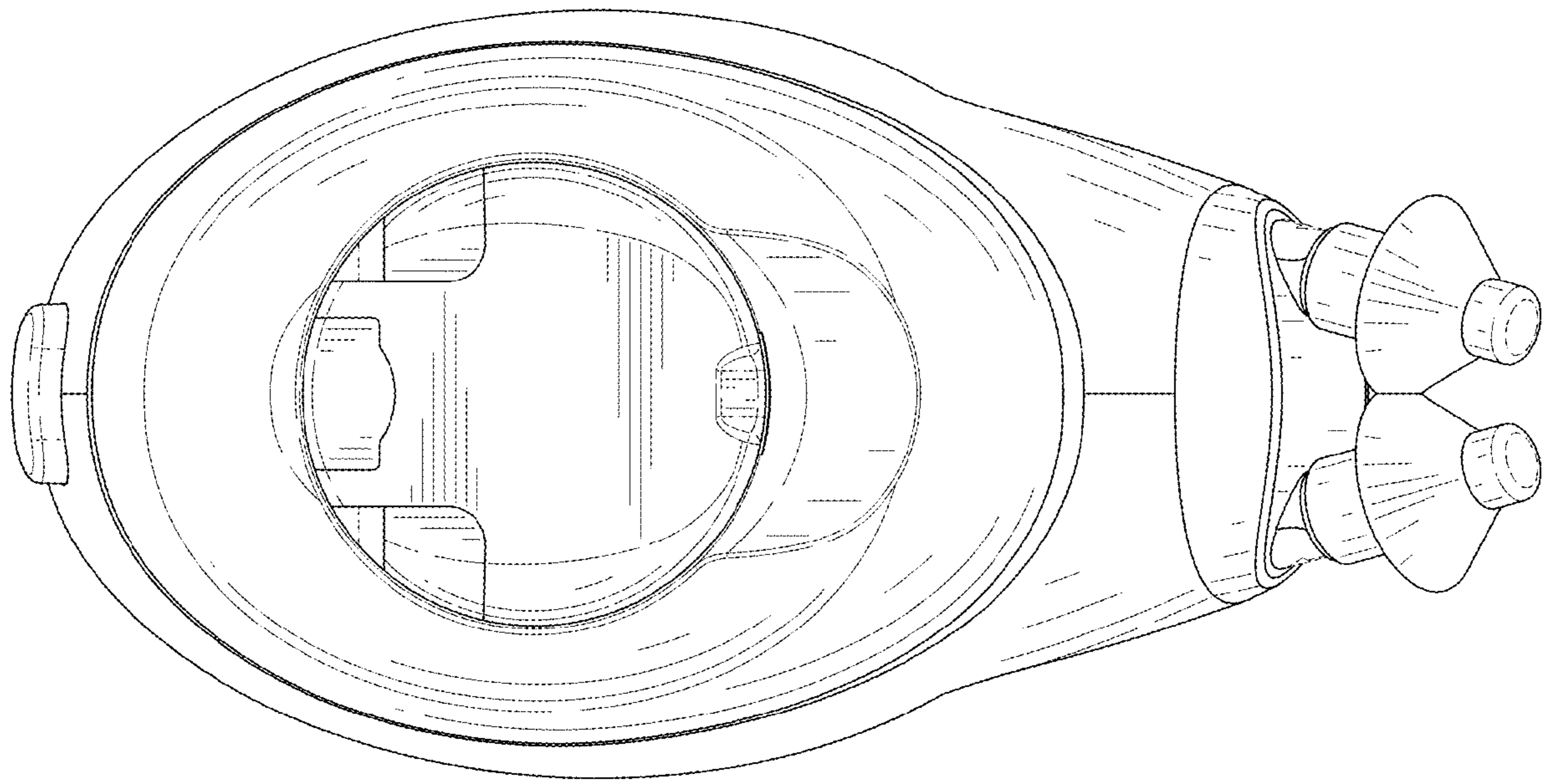


FIG. 7

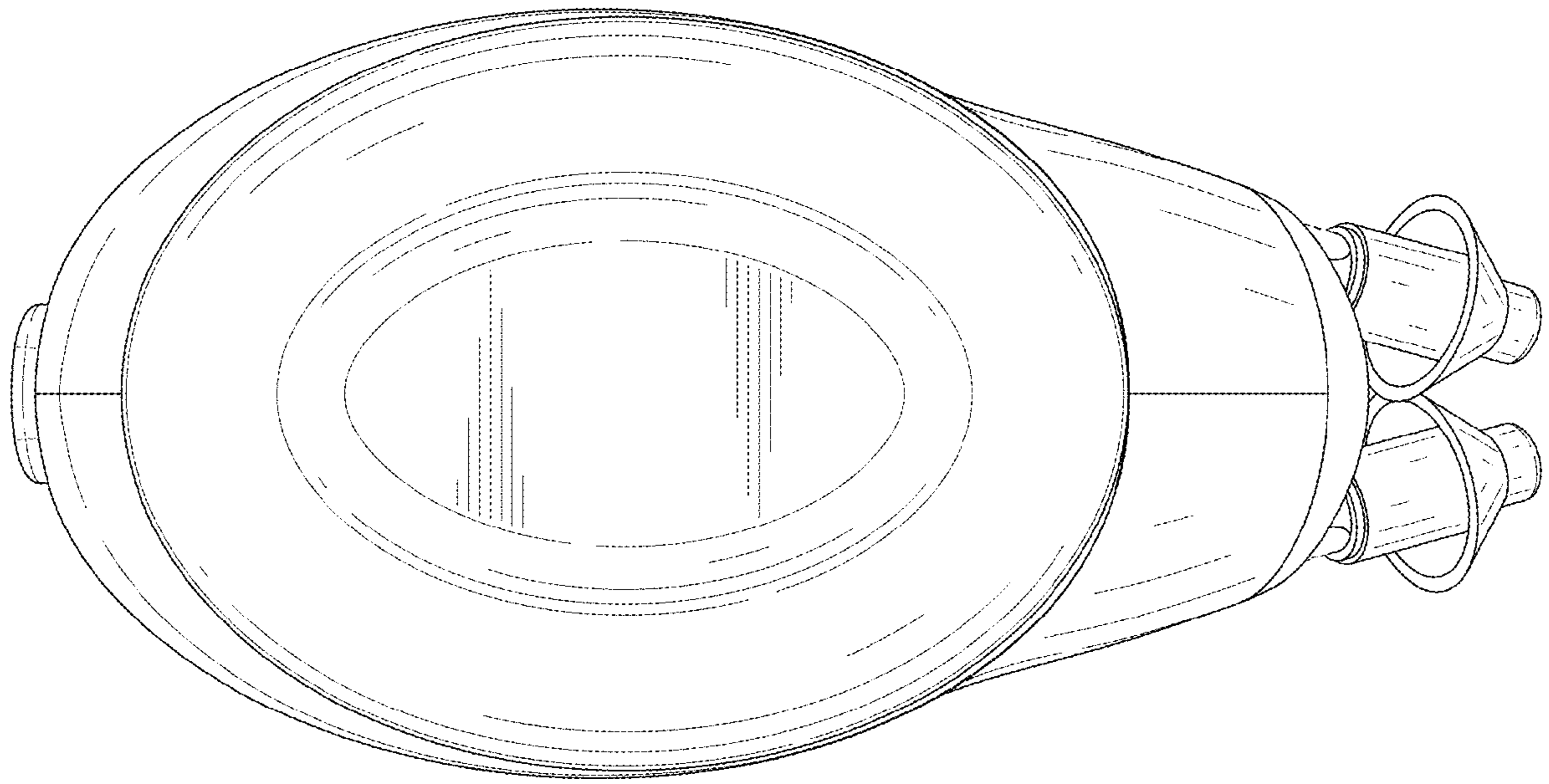


FIG. 8