



US00D950708S

(12) **United States Design Patent** (10) **Patent No.:** **US D950,708 S**
Dantanarayana et al. (45) **Date of Patent:** **** May 3, 2022**

(54) **PAIR OF RIGIDIZER ARMS FOR RESPIRATORY MASK**

(71) Applicant: **ResMed Pty Ltd**, Bella Vista (AU)

(72) Inventors: **Muditha Pradeep Dantanarayana**, Sydney (AU); **Charles Harry Finch**, Sydney (AU); **Chia Ik Tan**, Sydney (AU); **Stewart Joseph Wagner**, Hawkesbury (AU)

(73) Assignee: **ResMed Pty Ltd**, Bella Vista (AU)

(**) Term: **15 Years**

(21) Appl. No.: **29/796,429**

(22) Filed: **Jun. 24, 2021**

Related U.S. Application Data

(60) Continuation of application No. 29/748,056, filed on Aug. 27, 2020, now Pat. No. Des. 930,148, which is a continuation of application No. 29/666,398, filed on Oct. 12, 2018, now Pat. No. Des. 895,103, which is a (Continued)

(51) **LOC (13) Cl.** **29-02**

(52) **U.S. Cl.**
USPC **D24/110.1**

(58) **Field of Classification Search**
USPC D24/110–110.6, 127, 129; D29/110
CPC A61M 16/0616; A61M 16/0633; A61M 16/06; A61M 16/0666; A61M 16/0683; A61M 16/0605; A61M 16/0622; A61M 16/0644; A61M 16/0875; A61M 16/0816; A61M 16/08; B63C 11/205; B63C 11/16; B63C 11/186; B63C 11/12

See application file for complete search history.

(56) **References Cited**

U.S. PATENT DOCUMENTS

D586,907 S 2/2009 Judson
D623,288 S 9/2010 Lubke
D656,231 S 3/2012 Henry

(Continued)

OTHER PUBLICATIONS

Dantanarayana et al., U.S. Appl. No. 29/748,056, filed Aug. 27, 2020 for “Respiratory Mask and/or Components Thereof,” (parent application).

Primary Examiner — Sheryl Lane

Assistant Examiner — Aula Soroush

(74) *Attorney, Agent, or Firm* — Nixon & Vanderhye P.C.

(57) **CLAIM**

The ornamental design for a pair of rigidizer arms for respiratory mask, as shown and described.

DESCRIPTION

FIG. 1 is a front perspective view of the pair of rigidizer arms for respiratory mask showing a first embodiment of our new design;

FIG. 2 is a front view thereof;

FIG. 3 is a rear view thereof;

FIG. 4 is a top view thereof;

FIG. 5 is a bottom view thereof;

FIG. 6 is a left side view thereof;

FIG. 7 is a right side view thereof;

FIG. 8 is a front perspective view of the pair of rigidizer arms for respiratory mask showing a second embodiment of our new design;

FIG. 9 is a front view thereof;

FIG. 10 is a rear view thereof;

FIG. 11 is a top view thereof;

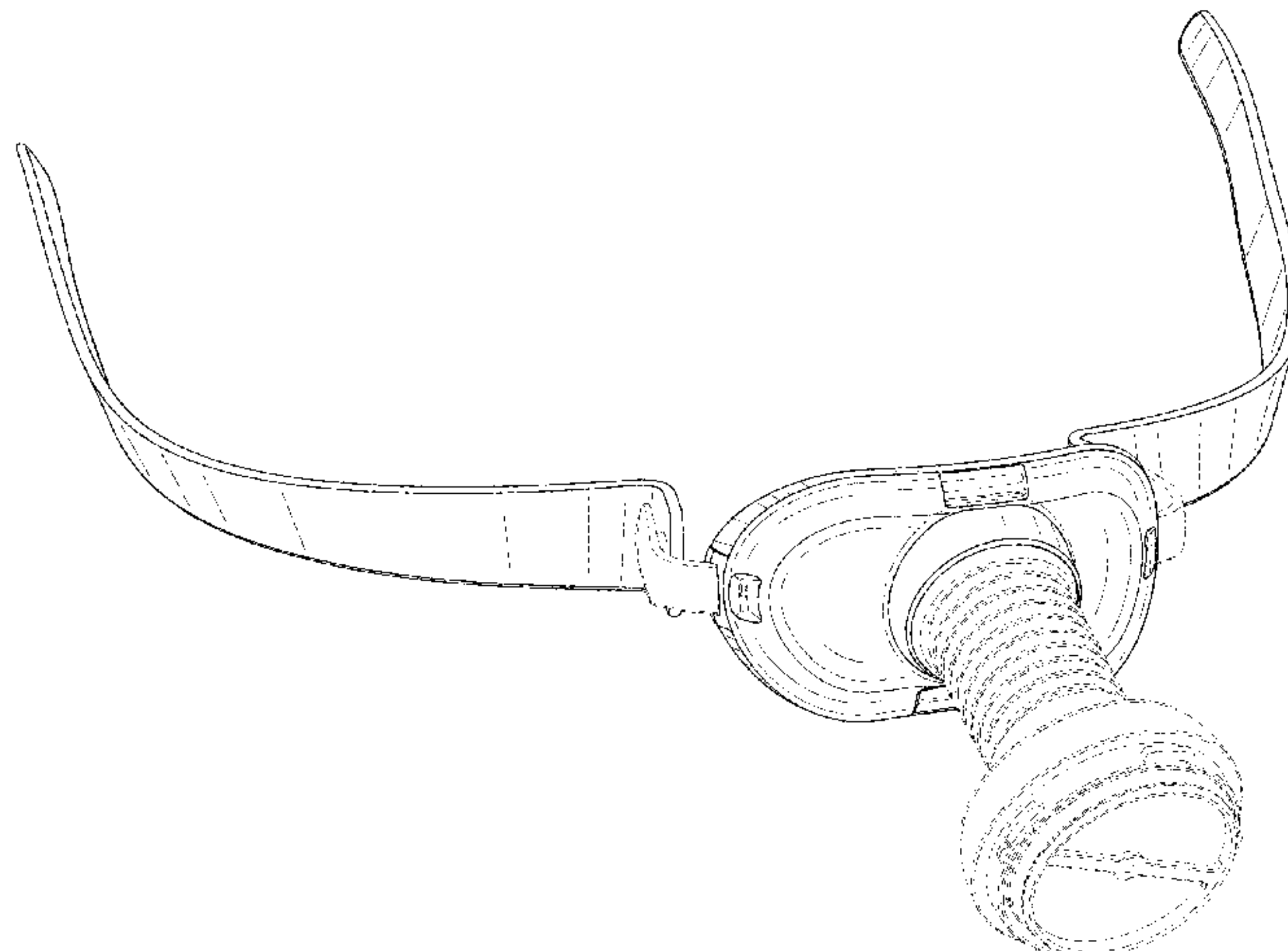
FIG. 12 is a bottom view thereof;

FIG. 13 is a left side view thereof; and,

FIG. 14 is a right side view thereof.

The broken lines represent environmental structure or unclaimed portions of the pair of rigidizer arms for respiratory mask and do not form a portion of the claimed design.

1 Claim, 10 Drawing Sheets



Related U.S. Application Data

division of application No. 29/585,943, filed on Nov. 30, 2016, now Pat. No. Des. 882,757.

(56)

References Cited

U.S. PATENT DOCUMENTS

D659,237 S 5/2012 Lubke
 D664,250 S 7/2012 Scheiner
 8,534,285 B2 9/2013 Lee
 D691,712 S 10/2013 Judson
 D692,554 S 10/2013 Siew
 8,573,201 B2 11/2013 Rummery et al.
 D704,329 S 5/2014 Collazo
 D708,736 S 7/2014 Judson
 D737,953 S 9/2015 Wells
 D740,935 S 10/2015 Cullen
 D743,535 S 11/2015 Wells
 D751,687 S 3/2016 Daly
 D757,252 S 5/2016 Von Moger
 D764,049 S 8/2016 Cullen
 D770,036 S 10/2016 Walls
 D771,238 S 11/2016 Scheiner et al.
 D787,661 S 5/2017 Edwards
 D787,662 S 5/2017 Guney
 D794,772 S 8/2017 Cullen
 9,784,387 B2 10/2017 Kaye

9,802,015 B2 10/2017 Virr
 D805,630 S 12/2017 Formica
 D808,516 S 1/2018 Edwards
 9,872,967 B2 1/2018 Sims
 9,903,371 B2 2/2018 Row
 10,105,510 B2 10/2018 Buechi
 D858,746 S * 9/2019 Lee D24/110
 D865,158 S 10/2019 Khera et al.
 D878,546 S 3/2020 Formica
 D880,686 S 4/2020 Stoks
 D882,757 S * 4/2020 Dantanarayana D24/110.4
 D895,103 S * 9/2020 Dantanarayana D24/110.1
 D927,682 S * 8/2021 Khera D24/110.4
 D930,148 S * 9/2021 Dantanarayana D24/110.1
 2005/0155604 A1 7/2005 Ging et al.
 2007/0181130 A1 8/2007 Worley
 2010/0116272 A1 5/2010 Row et al.
 2012/0090622 A1 4/2012 Chang
 2012/0227738 A1 9/2012 Virr et al.
 2014/0000614 A1 1/2014 Chang
 2016/0051784 A1 2/2016 Eury et al.
 2016/0151596 A1 6/2016 Slight et al.
 2016/0213878 A1 7/2016 Browning, Jr.
 2017/0000964 A1 1/2017 Shafer
 2017/0100556 A1 4/2017 Munkelt et al.
 2017/0368285 A1 12/2017 Wood
 2018/0001044 A1 1/2018 Stephens

* cited by examiner

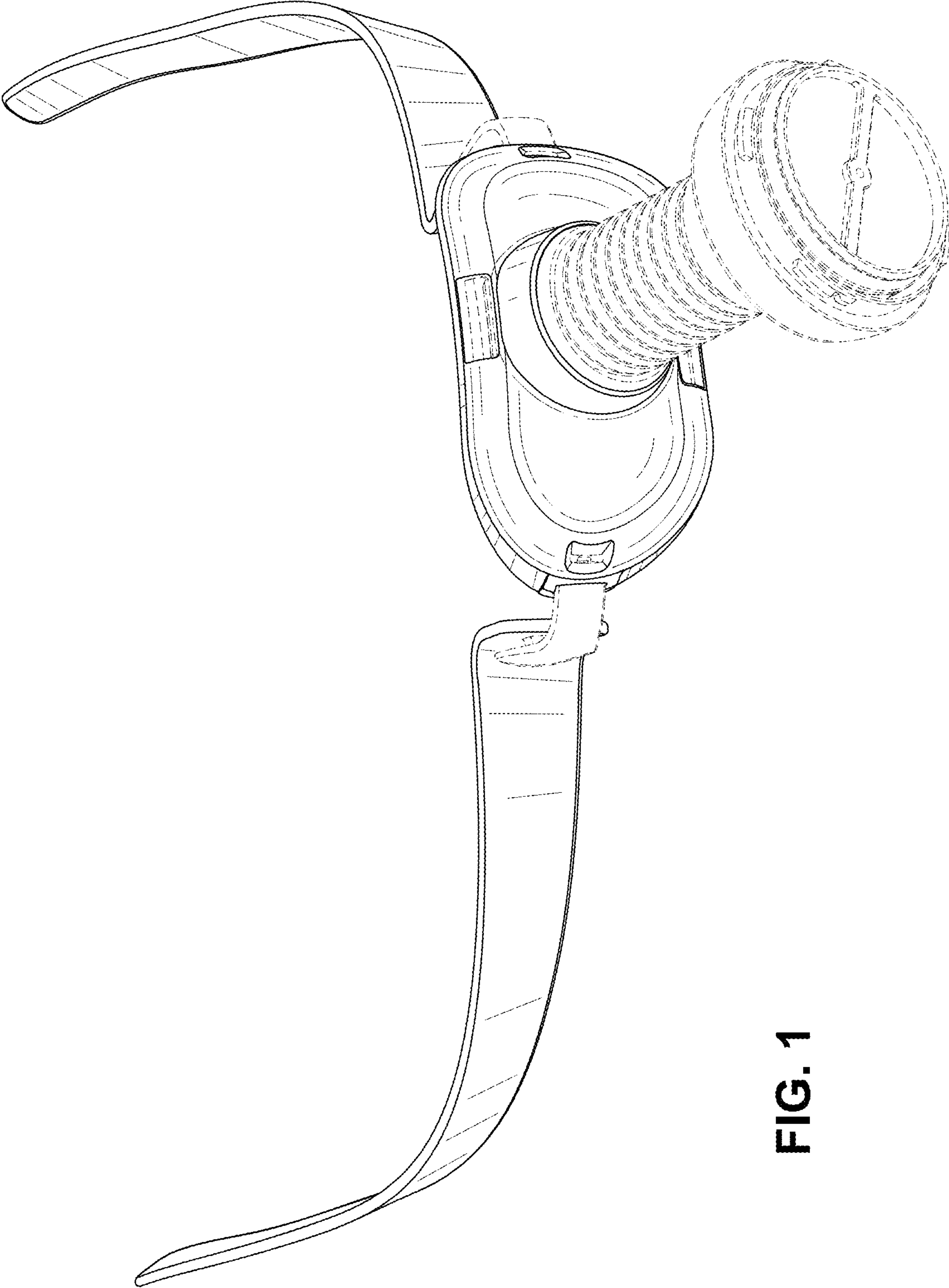


FIG. 1

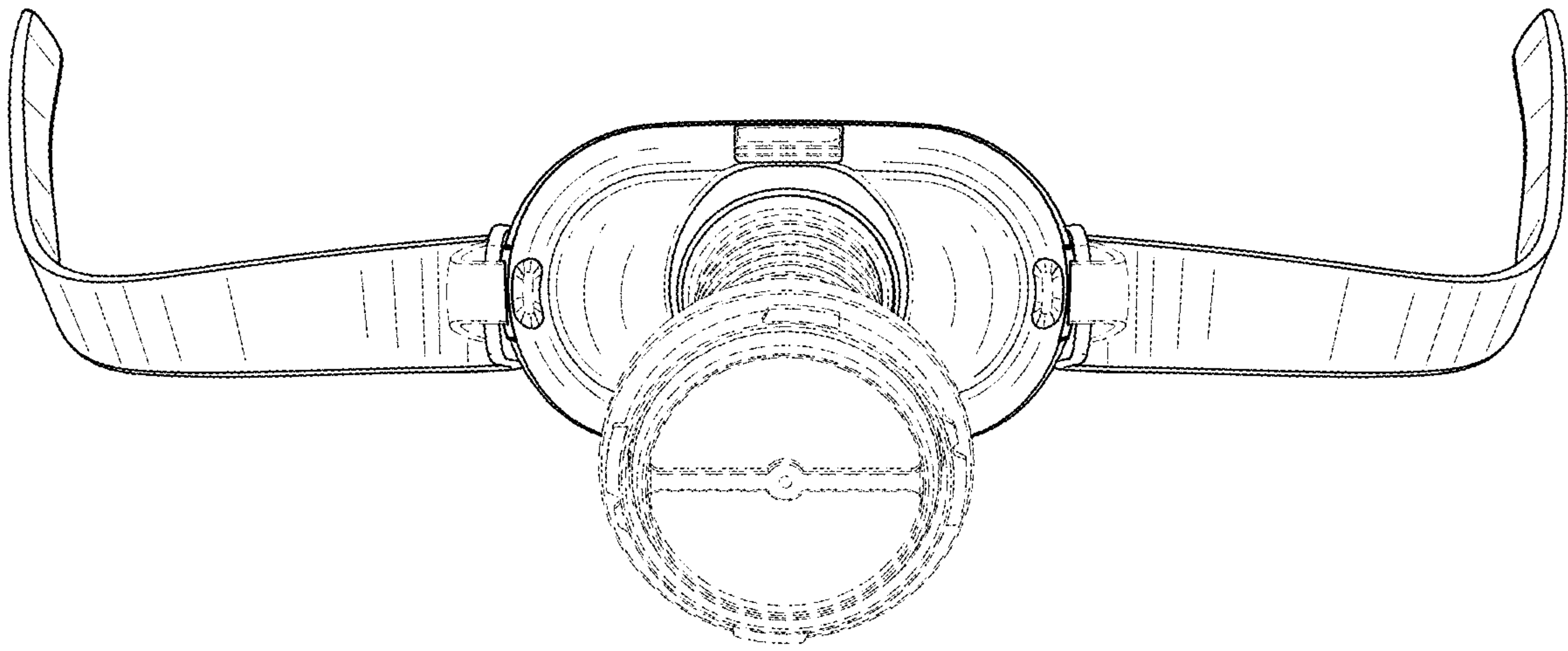


FIG. 2

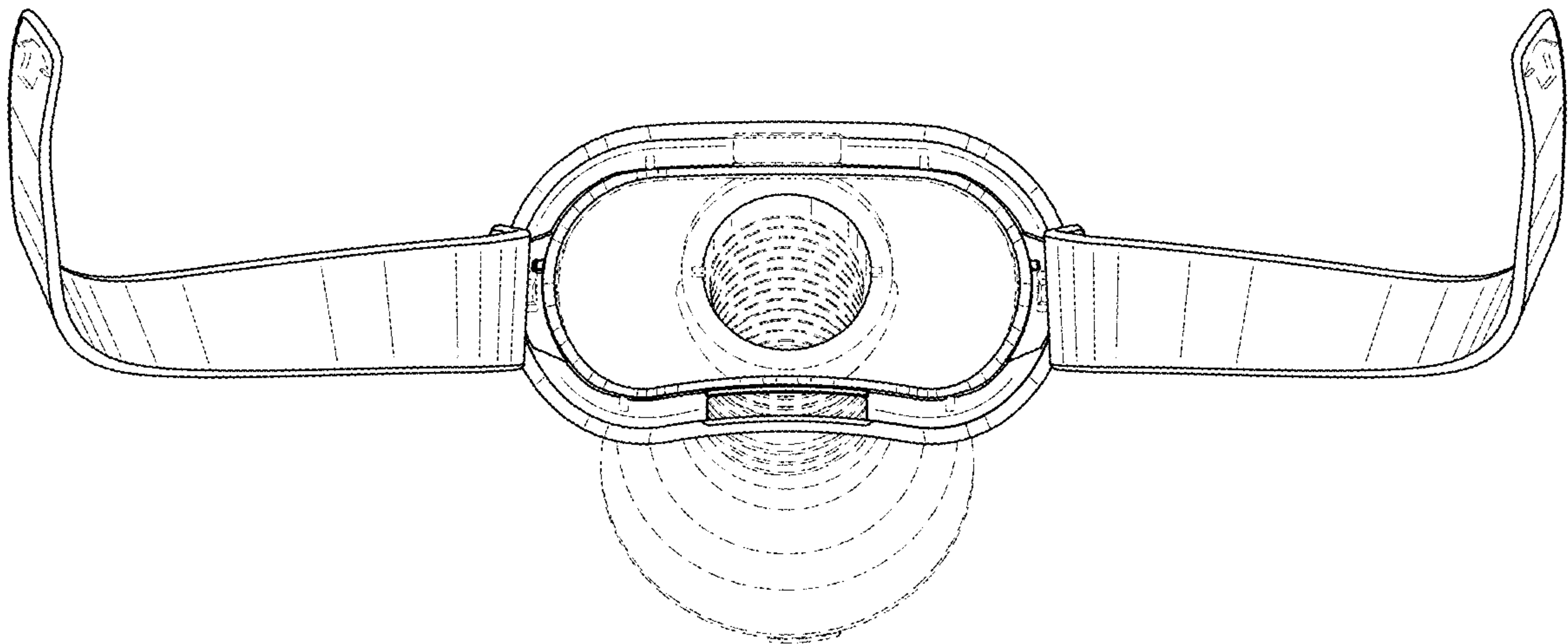


FIG. 3

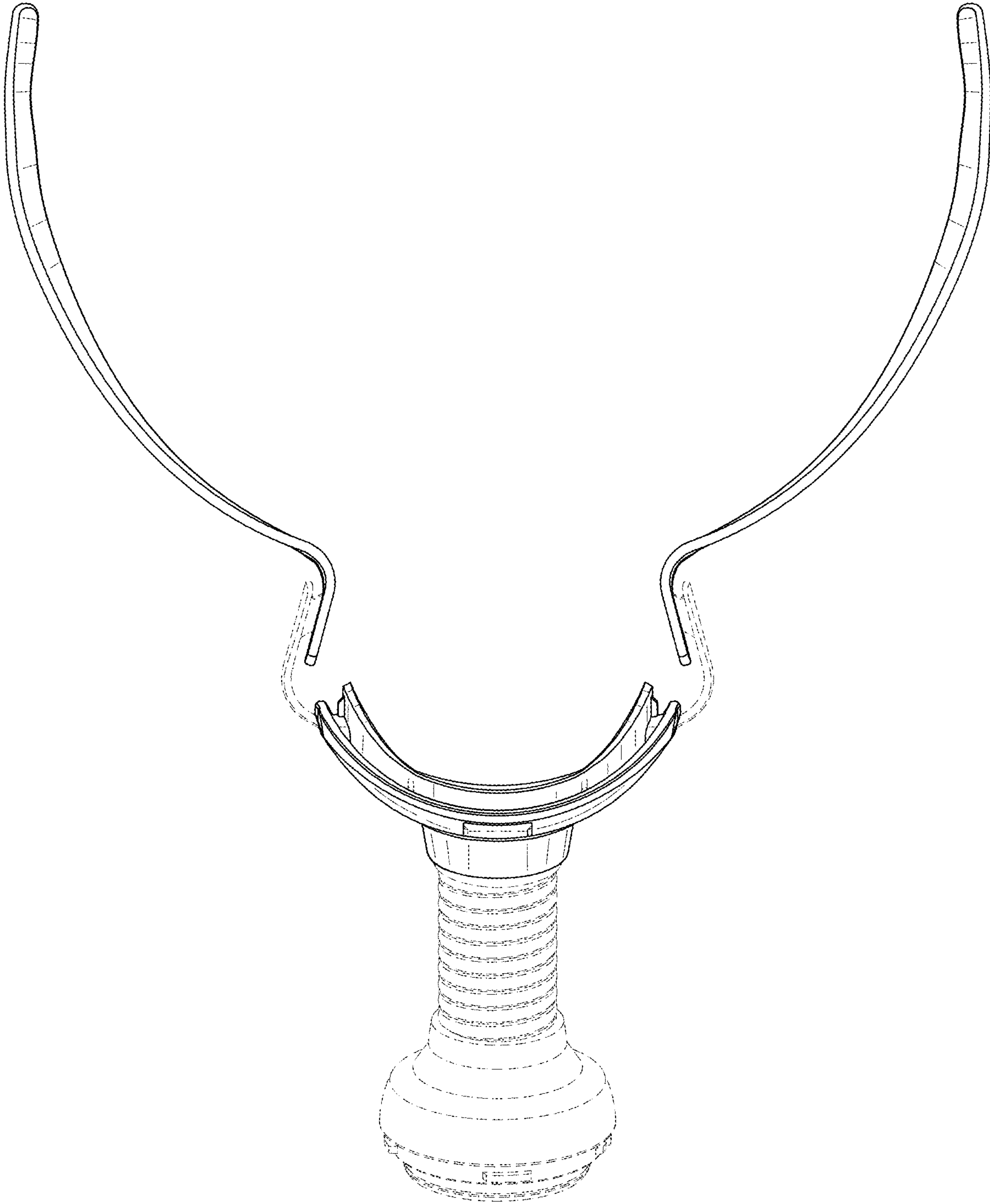


FIG. 4

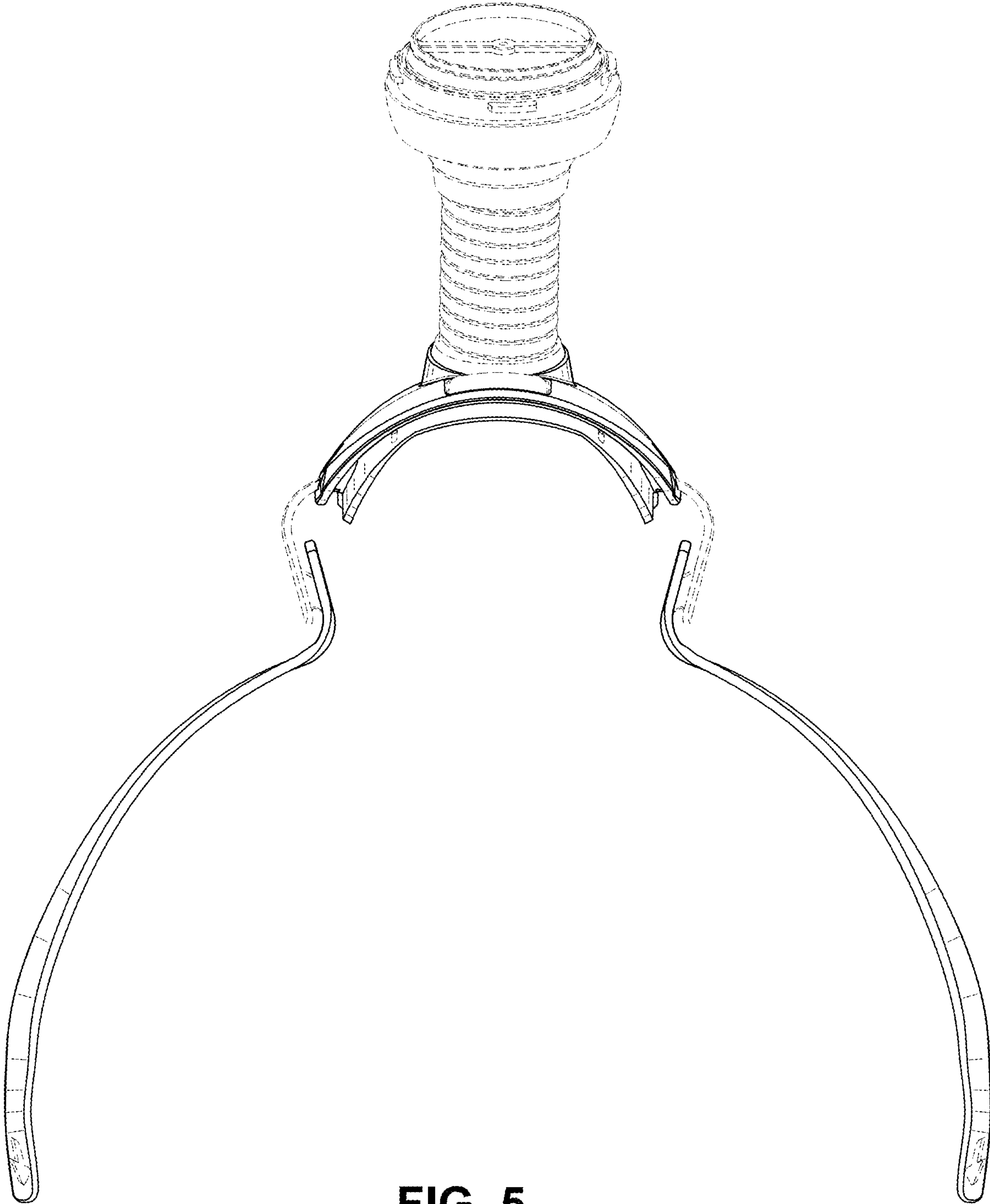


FIG. 5

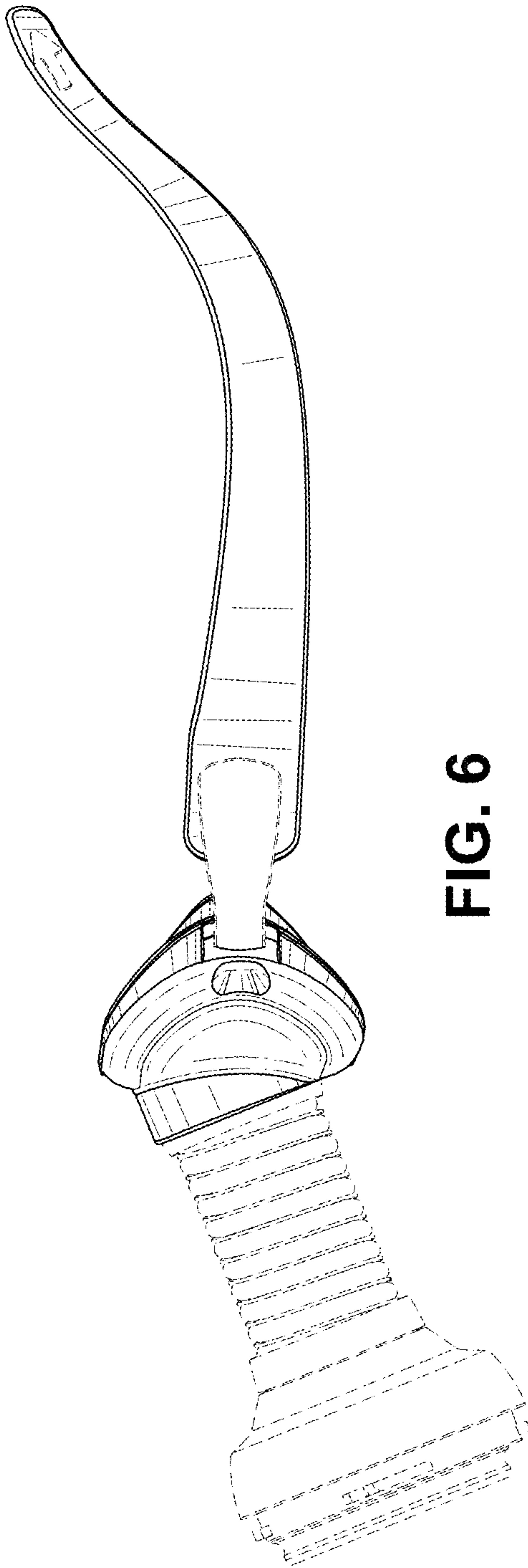


FIG. 6

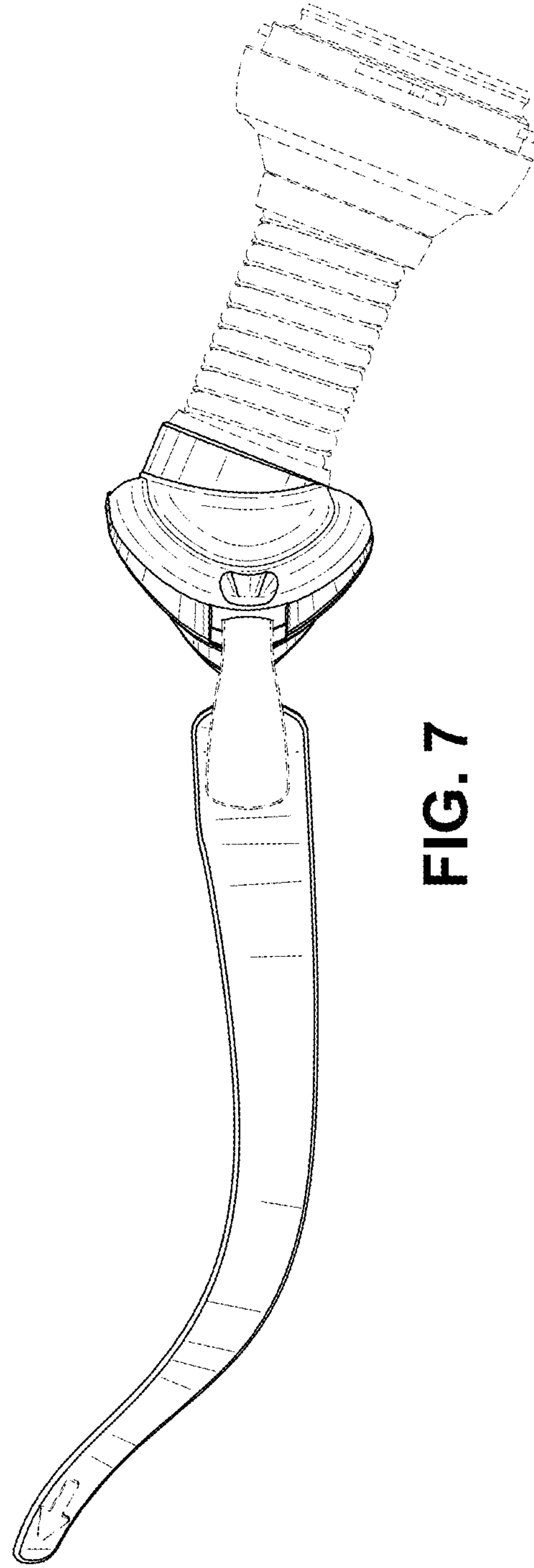


FIG. 7

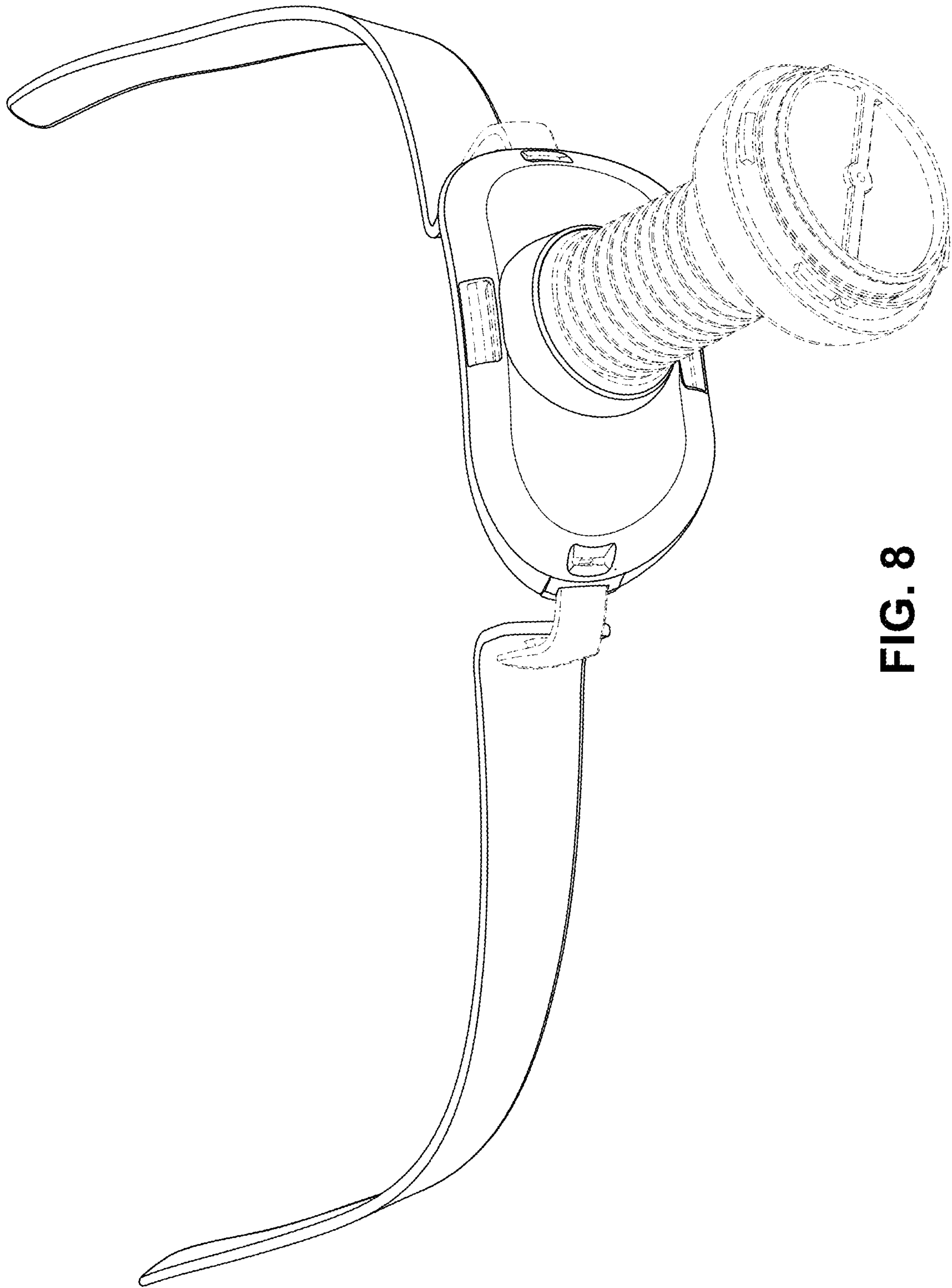


FIG. 8

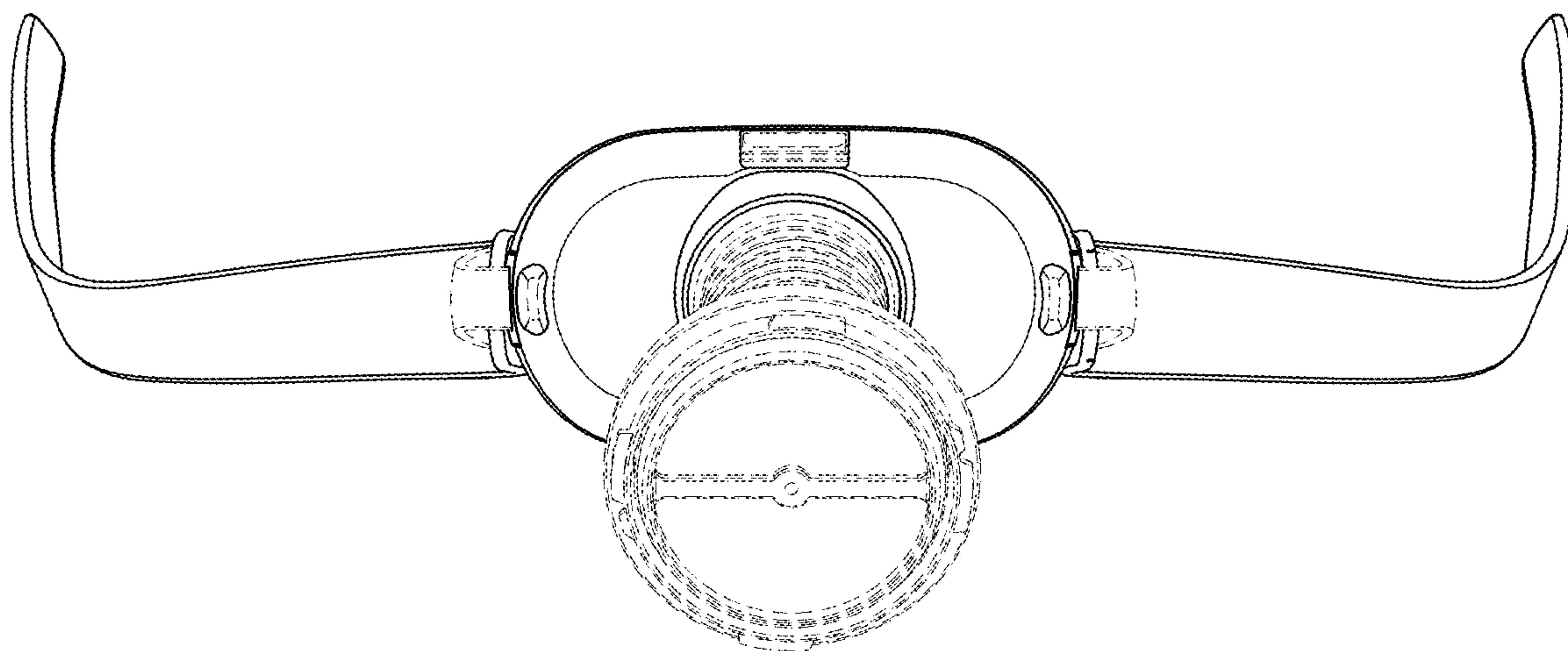


FIG. 9

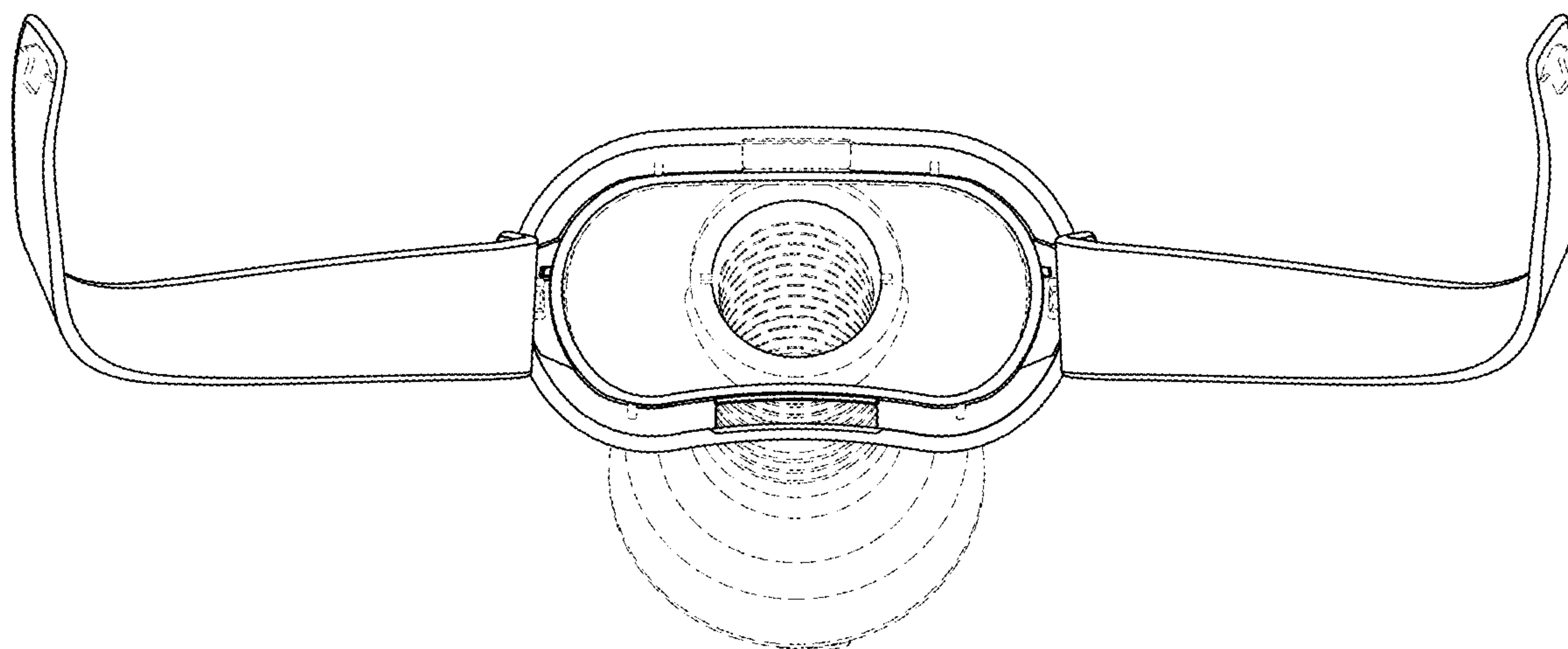


FIG. 10

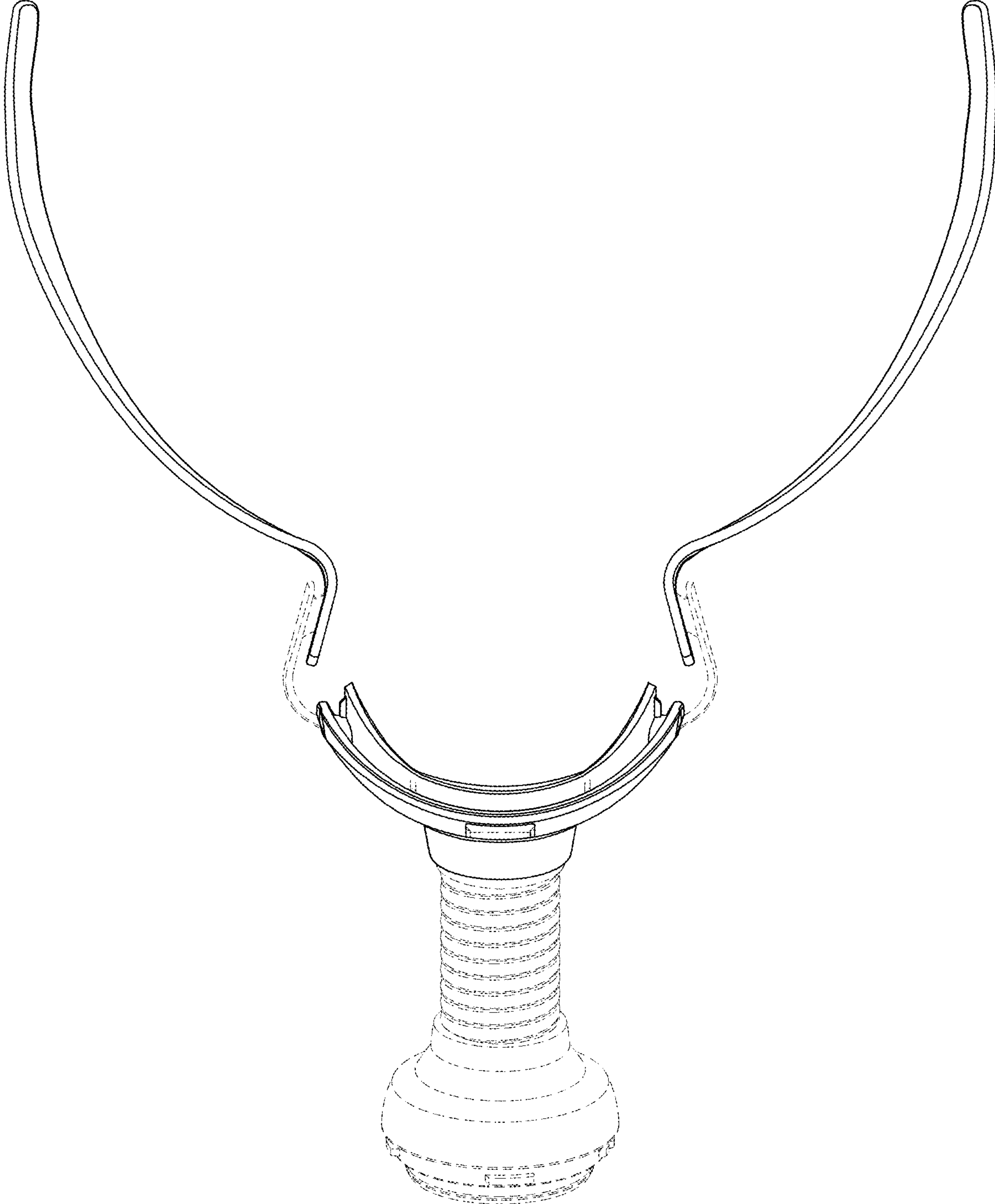


FIG. 11

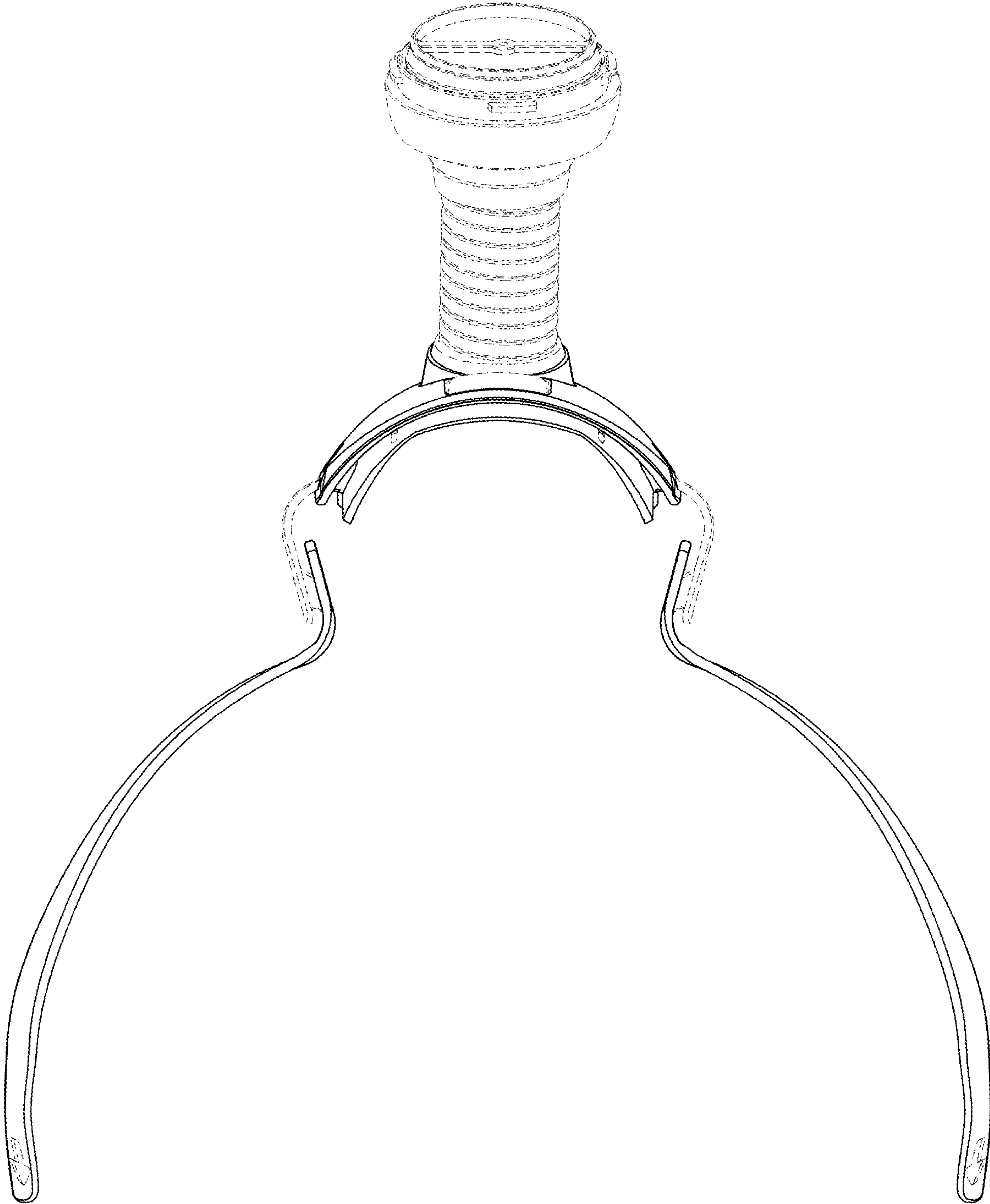


FIG. 12

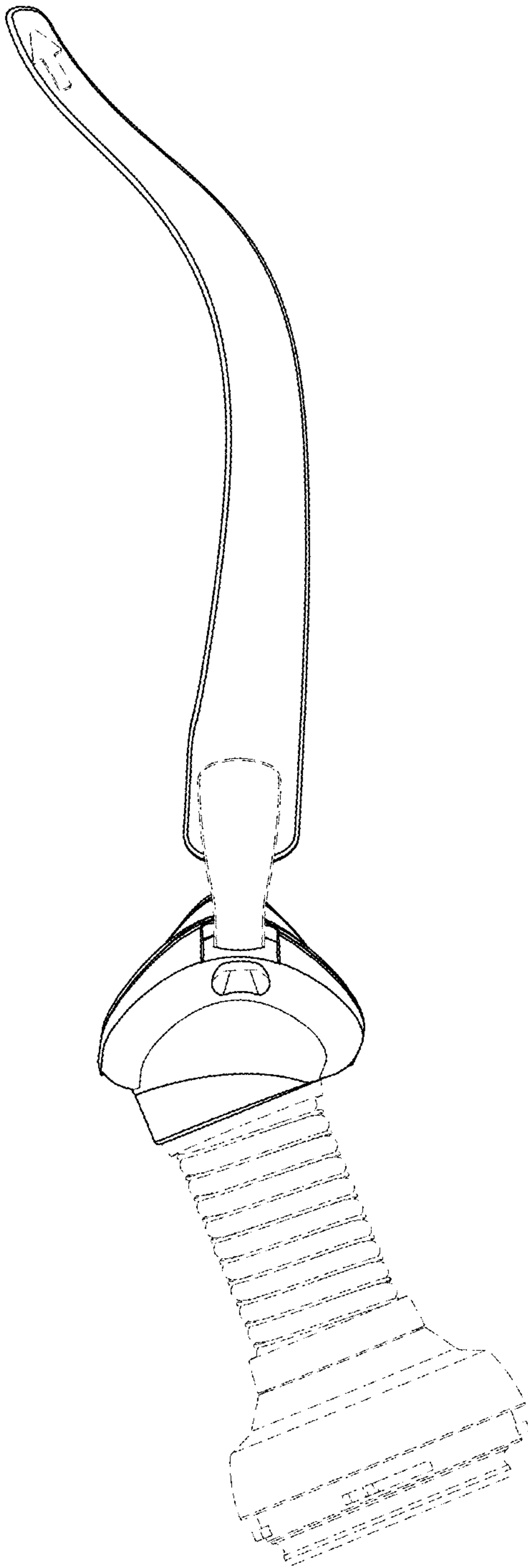


FIG. 13

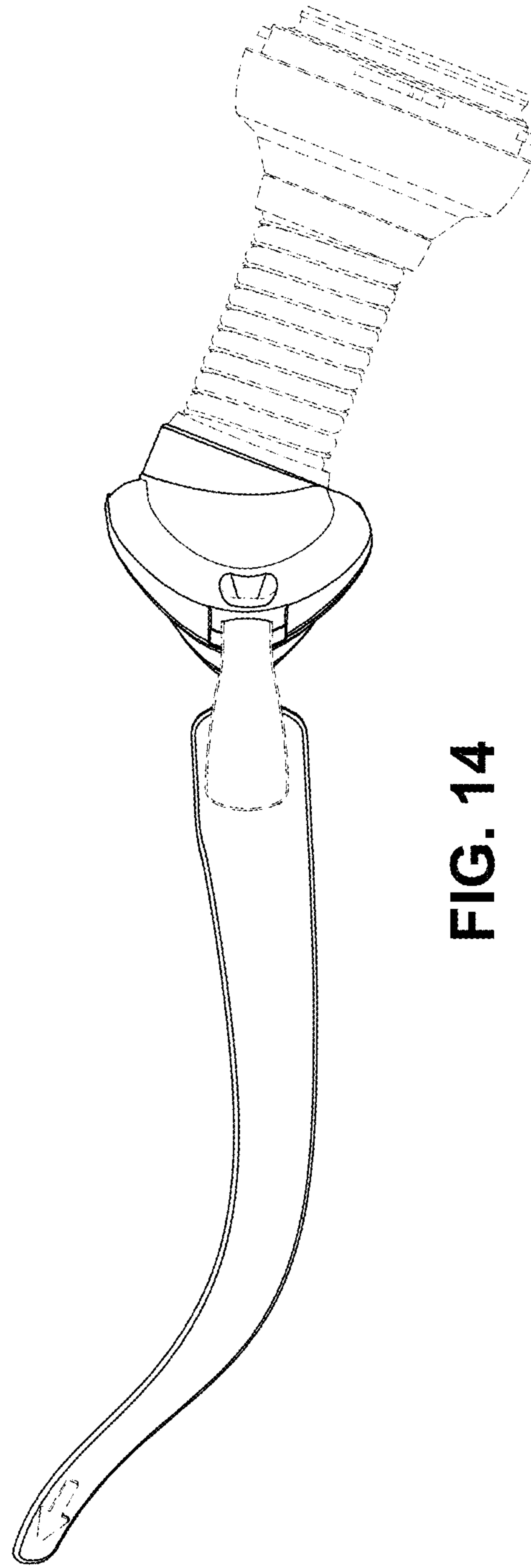


FIG. 14