



US00D950707S

(12) **United States Design Patent** (10) **Patent No.:** **US D950,707 S**
Coates (45) **Date of Patent:** **** May 3, 2022**

(54) **FACE MASK**

(71) Applicant: **Tailored Technologies, Inc.**,
Winston-Salem, NC (US)

(72) Inventor: **Fredrica V. Coates**, Winston-Salem,
NC (US)

(73) Assignee: **Tailored Technologies, Inc.**,
Winston-Salem, NC (US)

(**) Term: **15 Years**

(21) Appl. No.: **29/739,325**

(22) Filed: **Jun. 24, 2020**

(51) **LOC (13) Cl.** **29-02**

(52) **U.S. Cl.**
USPC **D24/110.1; D29/108**

(58) **Field of Classification Search**
USPC D24/110, 110.1–110.6; D29/108
CPC . A41D 13/11; A41D 13/1107; A41D 13/1115;
A41D 13/1123; A41D 13/113; A41D
13/1138; A41D 13/1146; A41D 13/1153;
A41D 13/1161; A41D 13/1169; A41D
13/1176; A61M 16/06; A62B 18/00;
A62B 18/02; A62B 18/025; A62B 23/00
See application file for complete search history.

(56) **References Cited**

U.S. PATENT DOCUMENTS

- D388,514 S * 12/1997 Johnson D24/105
- D640,011 S * 6/2011 Teng D29/108
- 8,196,483 B2 * 6/2012 Limbrick G09B 23/32
73/866.4
- D849,928 S * 5/2019 Grover D24/110.1
- D892,410 S * 8/2020 David D29/108
- D912,801 S * 3/2021 Mills D24/110.1
- D941,991 S * 1/2022 Torbenson D24/110.1
- 2005/0133036 A1 * 6/2005 Steindorf A41D 13/11
128/206.13

- 2009/0320849 A1 * 12/2009 Biedermann D06M 15/263
128/206.28
- 2010/0224199 A1 * 9/2010 Smith A61M 16/06
128/863
- 2018/0236275 A1 * 8/2018 Song A62B 18/10
- 2020/0298032 A1 * 9/2020 Torbenson A62B 18/084
- 2021/0392966 A1 * 12/2021 Nguyen A41D 23/00

FOREIGN PATENT DOCUMENTS

- CN 305205816 * 6/2019
- GB 9007950316-0001 * 5/2020

OTHER PUBLICATIONS

Batik Adult (available [online]) Retrieved from internet Jan. 28, 2022 from URL: <https://www.nordstrom.com/s/studio-189-batik-adult-cotton-face-mask/6682938> (Year: 2022).*

* cited by examiner

Primary Examiner — Richard Kearney
Assistant Examiner — Michael Hoffman

(74) *Attorney, Agent, or Firm* — Suiter Swantz pc llo

(57) **CLAIM**

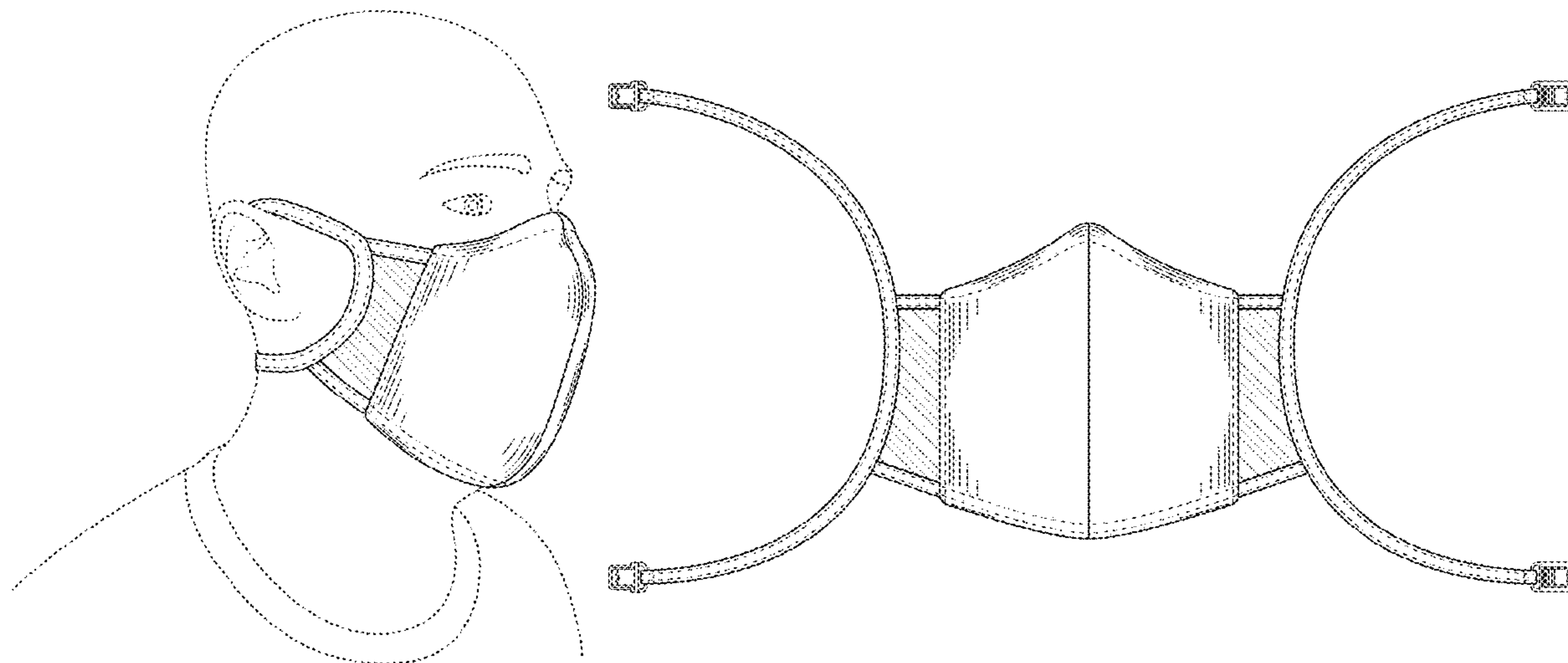
The ornamental design for a face mask, as shown.

DESCRIPTION

FIG. 1 is a front and right side perspective view showing my new design for a face mask;
FIG. 2 is a front view thereof;
FIG. 3 is a back view thereof;
FIG. 4 is a top view thereof;
FIG. 5 is a bottom view thereof;
FIG. 6 is a left side view thereof; and,
FIG. 7 is a right side view thereof.

The broken lines shown in the drawings illustrate environmental subject matter and form no part of the claimed design.

1 Claim, 7 Drawing Sheets



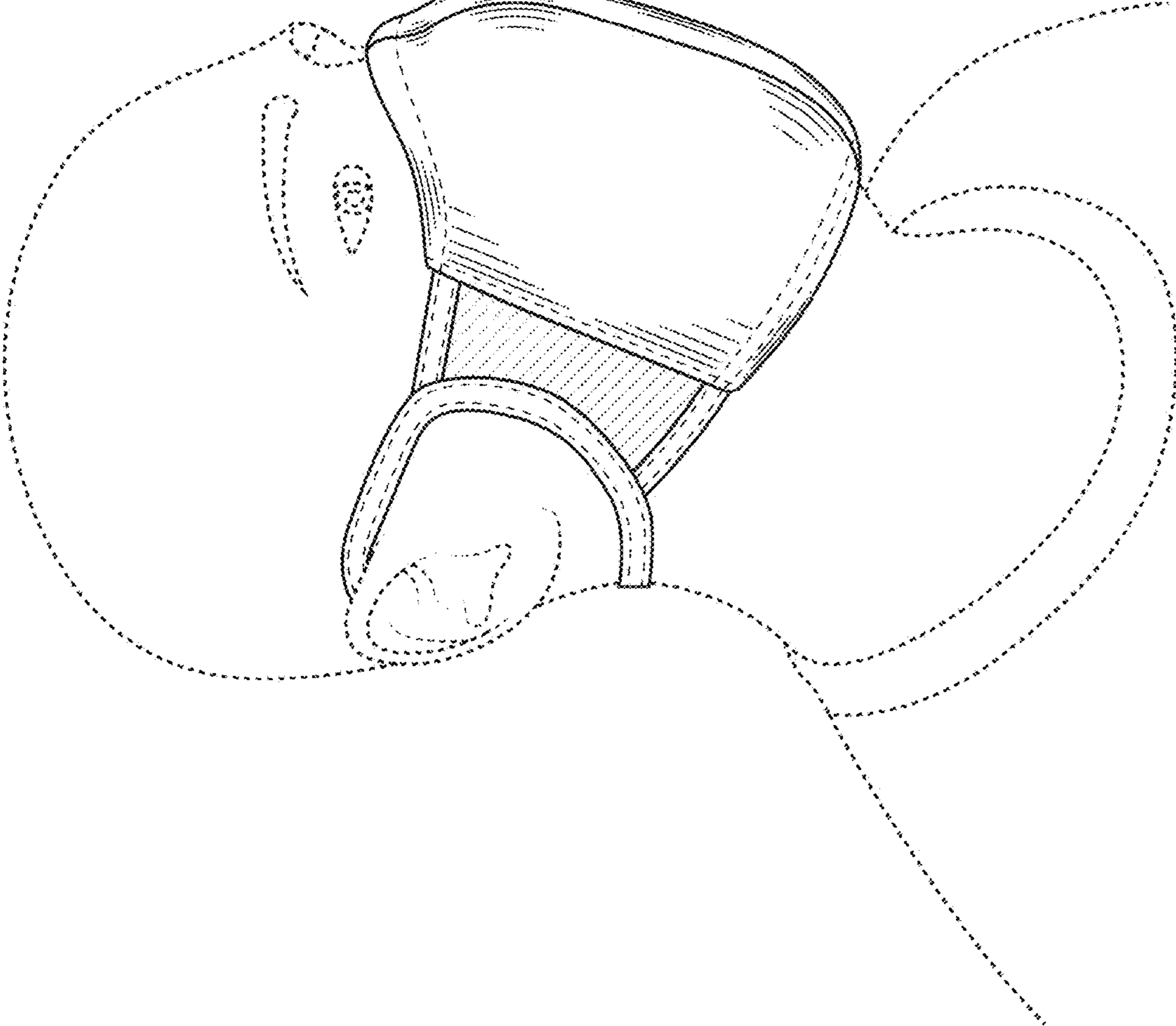


FIG.1

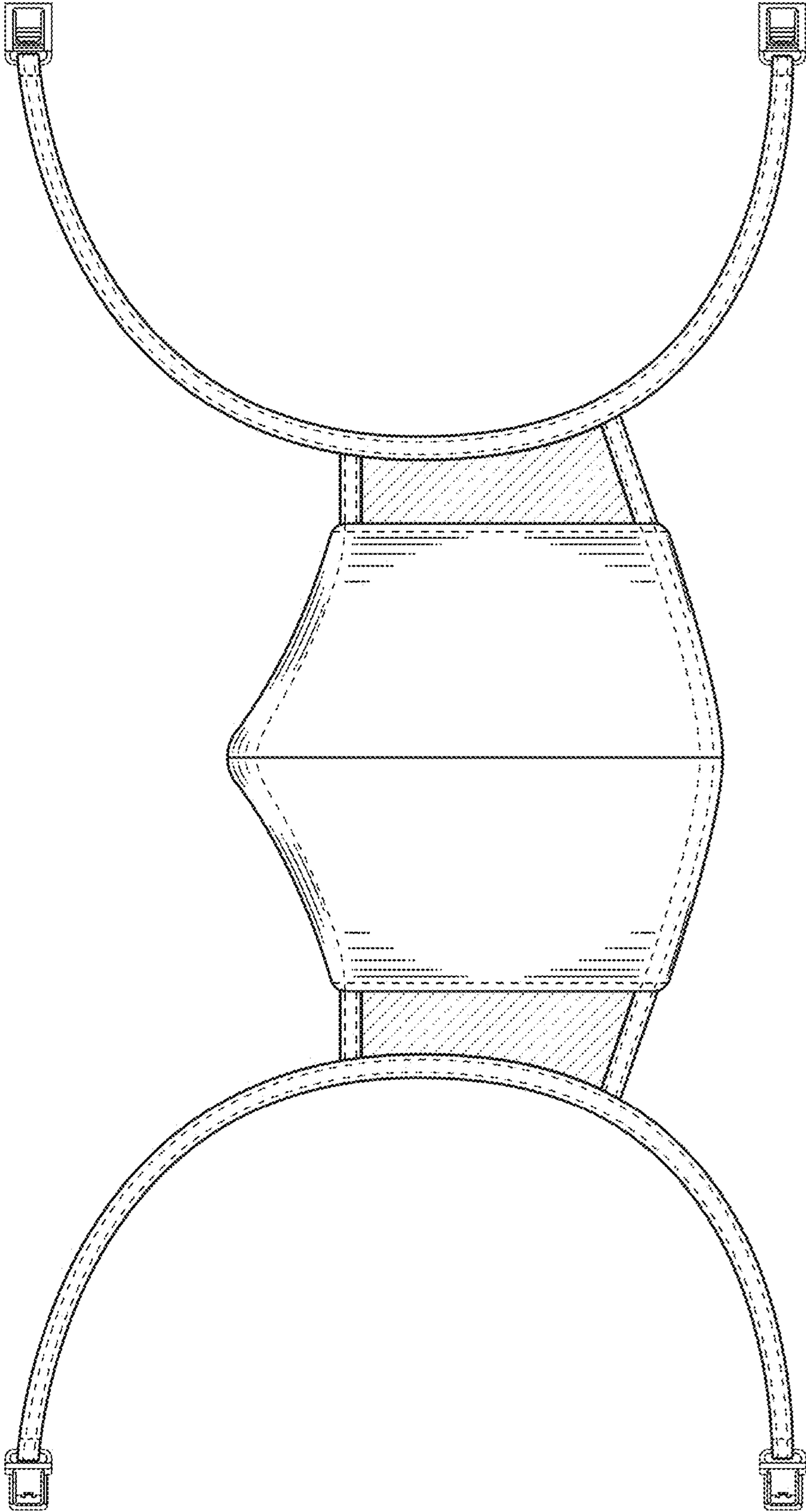


FIG. 2

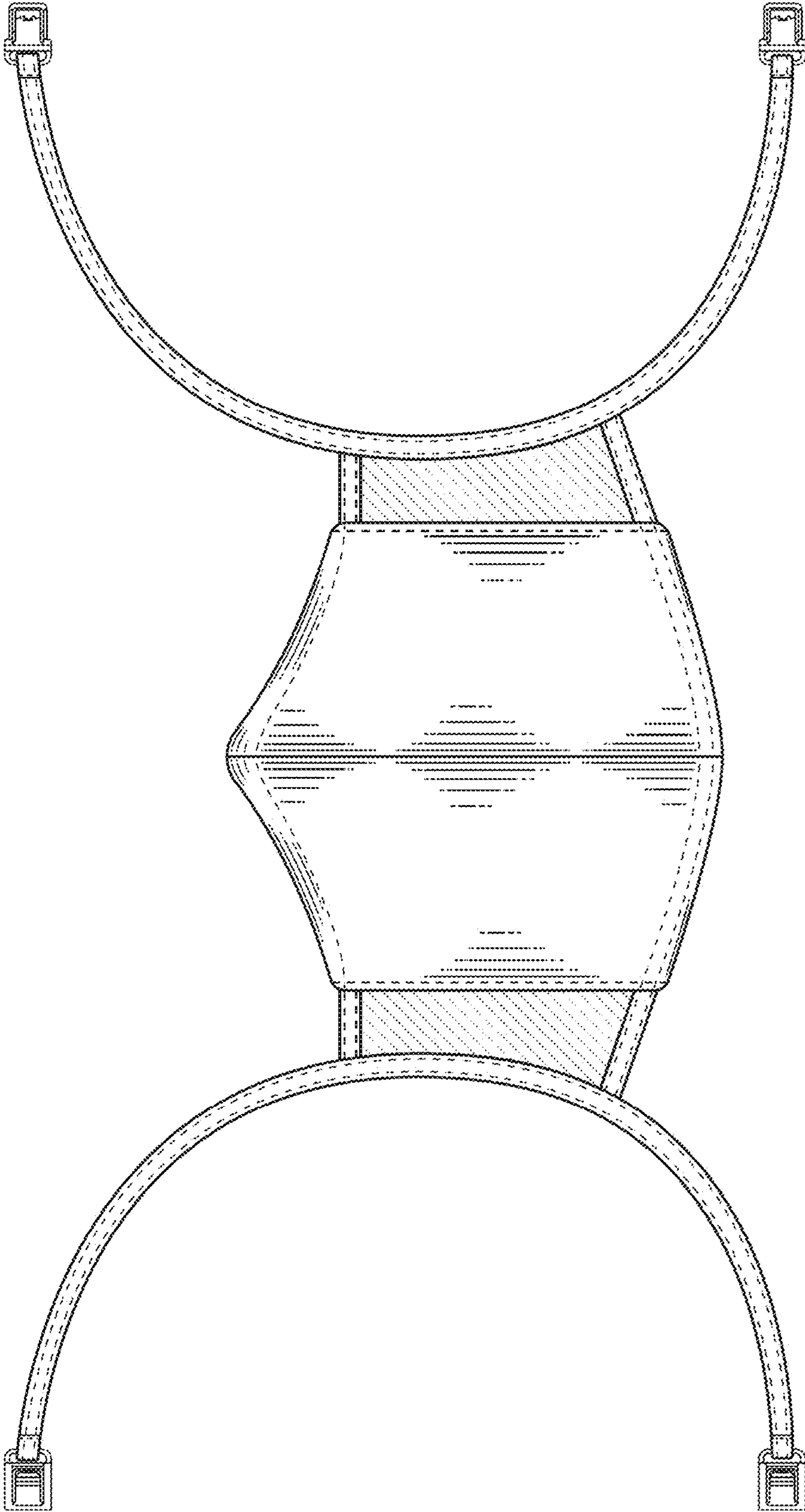


FIG. 3

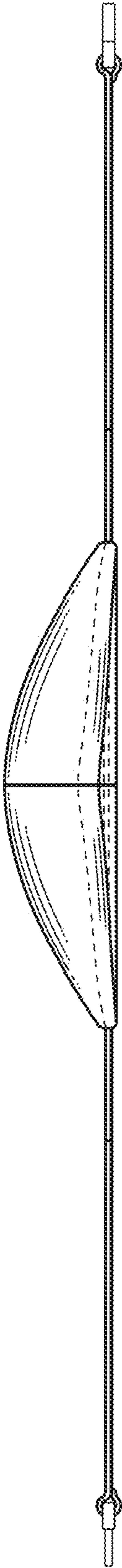


FIG.4

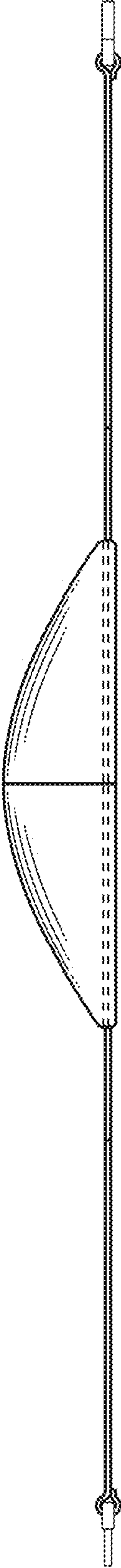


FIG. 5



FIG. 6

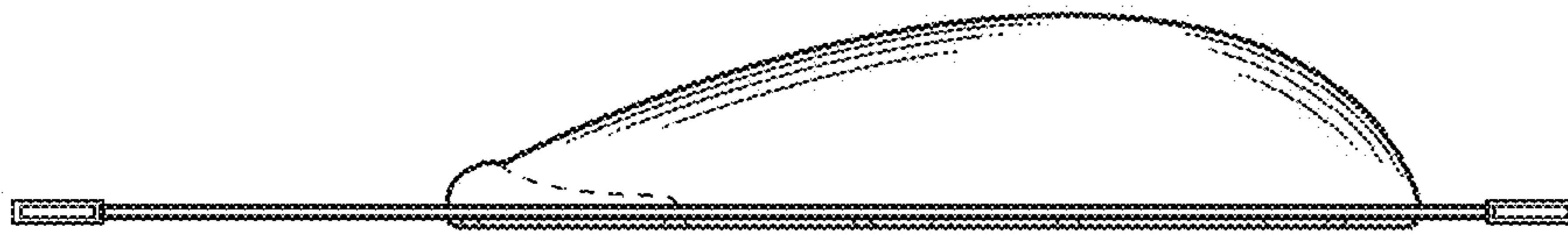


FIG. 7