



US00D950705S

(12) **United States Design Patent**
Zhang

(10) **Patent No.:** **US D950,705 S**

(45) **Date of Patent:** **** May 3, 2022**

(54) **NEBULIZER**

(71) Applicant: **Sichuan Qianli-beoka Medical Technology Inc.**, Sichuan (CN)

(72) Inventor: **Wen Zhang**, Sichuan (CN)

(73) Assignee: **Sichuan Qianli-beoka Medical Technology Inc.**

(**) Term: **15 Years**

(21) Appl. No.: **29/756,675**

(22) Filed: **Oct. 30, 2020**

(30) **Foreign Application Priority Data**

May 1, 2020 (CN) 202030194308.0

(51) **LOC (13) Cl.** **29-02**

(52) **U.S. Cl.**
USPC **D24/110**

(58) **Field of Classification Search**
USPC D24/107, 108, 109, 110, 110.5, 111, 127,
D24/164; D23/356, 360
CPC A61M 11/005; A61M 11/00; A61M 11/02;
A61M 11/08; A61M 15/0085; A61M
15/00; A61M 15/001; A61M 15/0001;
A61M 15/0021; A61M 15/0023; A61M
16/14

See application file for complete search history.

(56) **References Cited**

U.S. PATENT DOCUMENTS

D609,331 S *	2/2010	Paterson	D24/109
D610,250 S *	2/2010	Neuner	D24/110
D618,336 S *	6/2010	Wood	D24/110
D643,123 S *	8/2011	Basford	D24/164
D753,282 S *	4/2016	Lee	D24/100
D776,803 S *	1/2017	Gilbert	D24/109
D799,024 S *	10/2017	Gilbert	D24/109
D827,809 S *	9/2018	Mitchell	D24/110

D849,230 S *	5/2019	Gouchtchina	D24/108
D867,574 S *	11/2019	Gilbert	D24/109
D886,278 S *	6/2020	Lin	D24/110
D910,824 S *	2/2021	Zhao	D23/360
10,980,951 B1 *	4/2021	Walters	A61M 15/08
D919,779 S *	5/2021	Carra	D23/356

(Continued)

FOREIGN PATENT DOCUMENTS

CN 303757064 * 7/2016

OTHER PUBLICATIONS

[Handheld Mini Nebulizers Speed Adjustable Respirator Ultrasonic Atomizer Portable Mesh Nebulizer], available on globalsources.com, Date 2022[online], [site visited Jan. 11, 2022], Internet URL: <<https://www.globalsources.com/Ultrasonic-nebulizer/Mesh-Nebulizer-1183643651p.htm>>. (Year: 2022).*

Primary Examiner — Jonathan J Han

Assistant Examiner — Amanda J Berlinski

(74) *Attorney, Agent, or Firm* — Timothy T. Wang; Ni, Wang & Marrand, PLLC

(57) **CLAIM**

The ornamental design for a nebulizer, as shown and described.

DESCRIPTION

FIG. 1 is a perspective view of a nebulizer showing my new design.

FIG. 2 is a front view thereof;

FIG. 3 is a rear view thereof;

FIG. 4 is a left side view thereof;

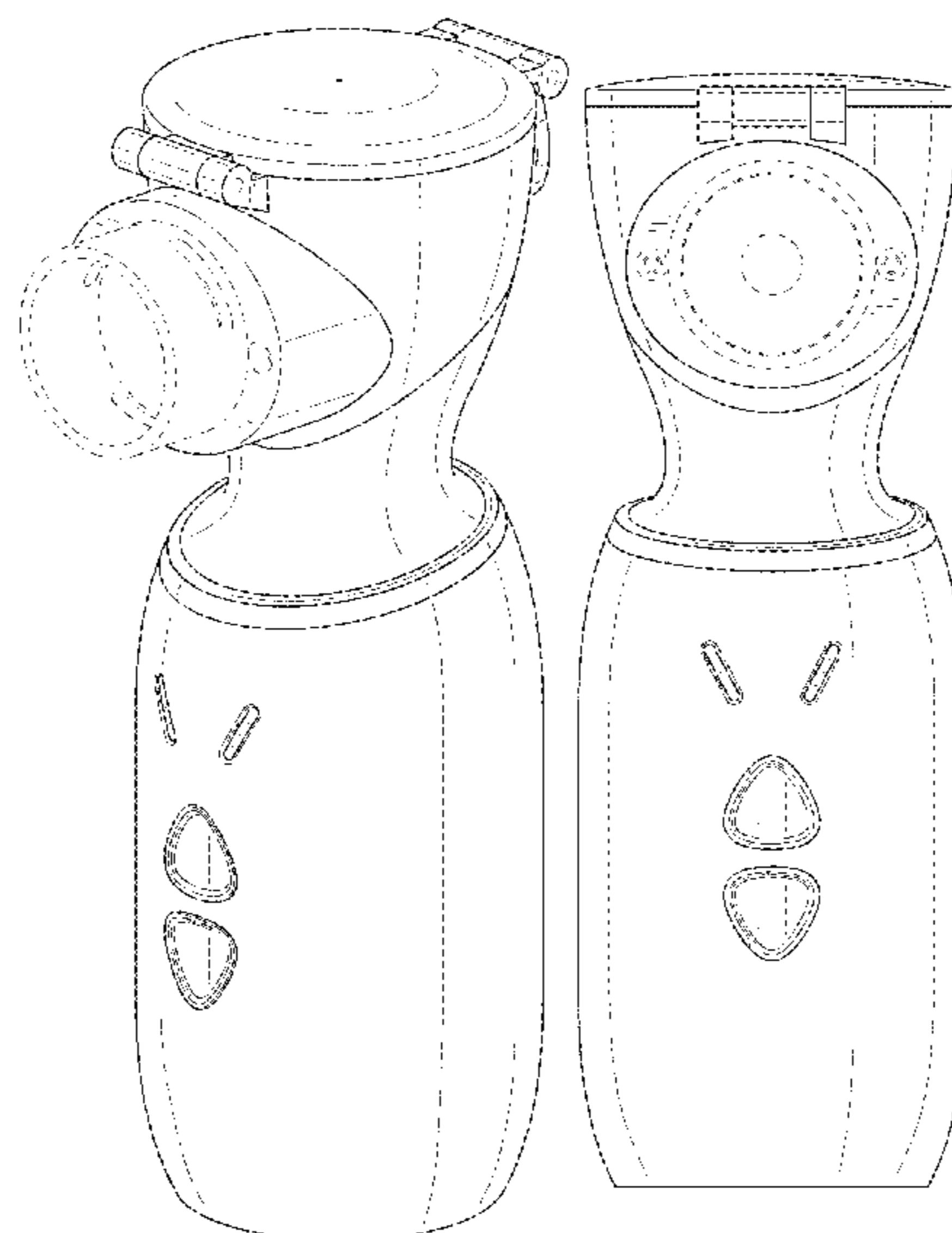
FIG. 5 is a right side view thereof;

FIG. 6 is a top view thereof; and,

FIG. 7 is a bottom view thereof.

The broken lines illustrate portions of the nebulizer that form no part of the claimed design.

1 Claim, 6 Drawing Sheets



(56)

References Cited

U.S. PATENT DOCUMENTS

D928,934 S * 8/2021 Lin A61K 9/0043
D24/110
D928,935 S * 8/2021 Li A61M 15/08
D24/110
D932,003 S * 9/2021 Zhang D24/109
2011/0303218 A1* 12/2011 Yadidi A61M 11/005
128/200.14
2019/0192794 A1* 6/2019 Christie A61K 9/0043
2019/0231991 A1* 8/2019 Tsai A61M 15/0085

* cited by examiner

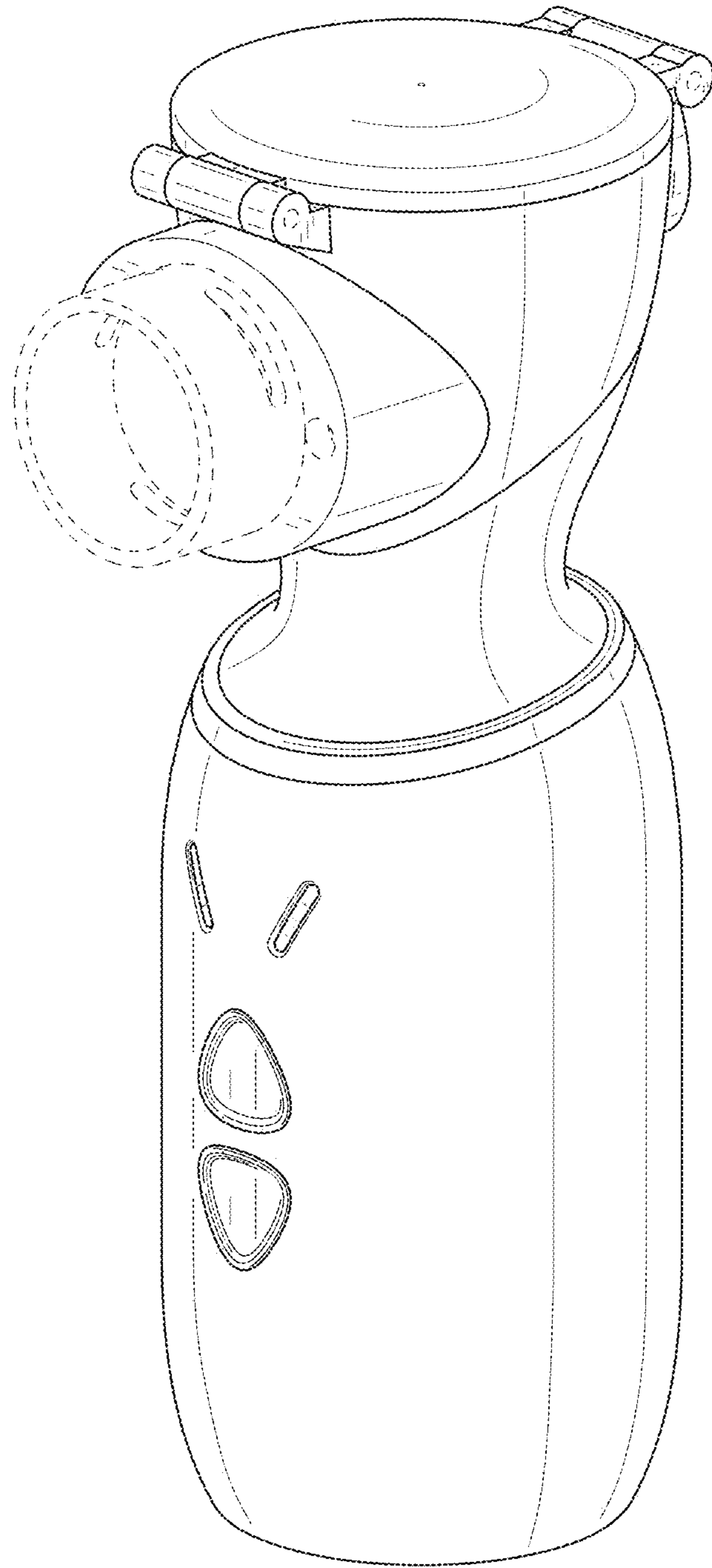


FIG. 1

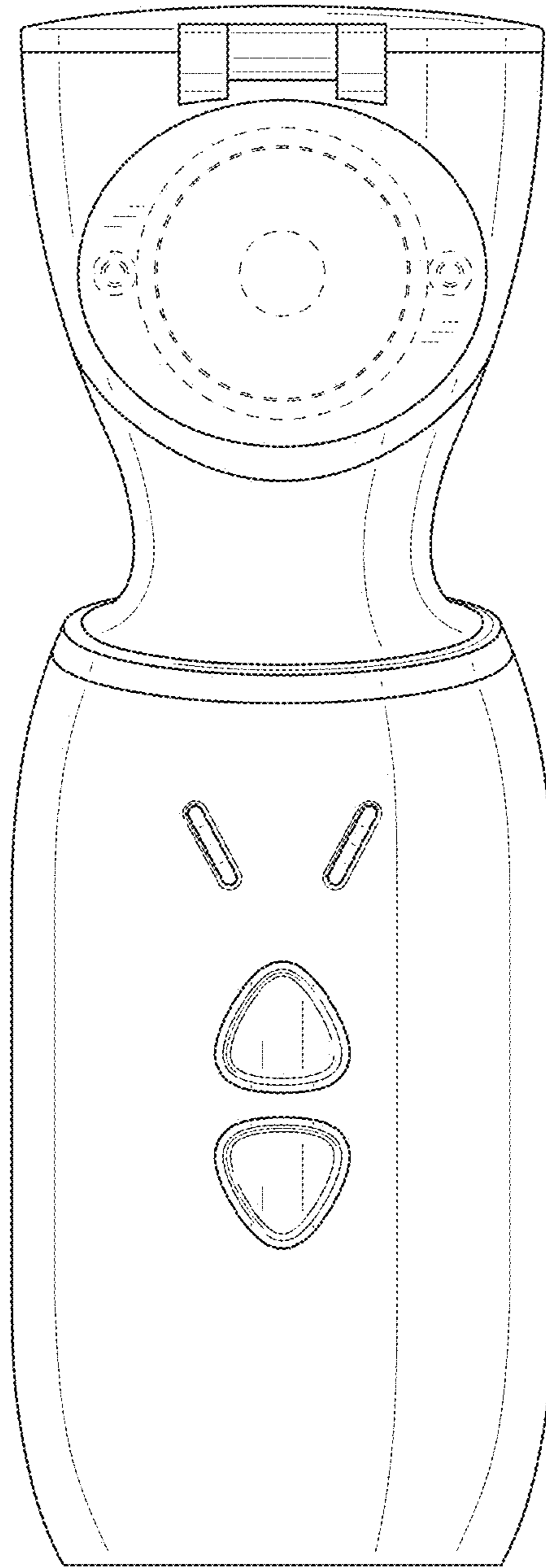


FIG. 2

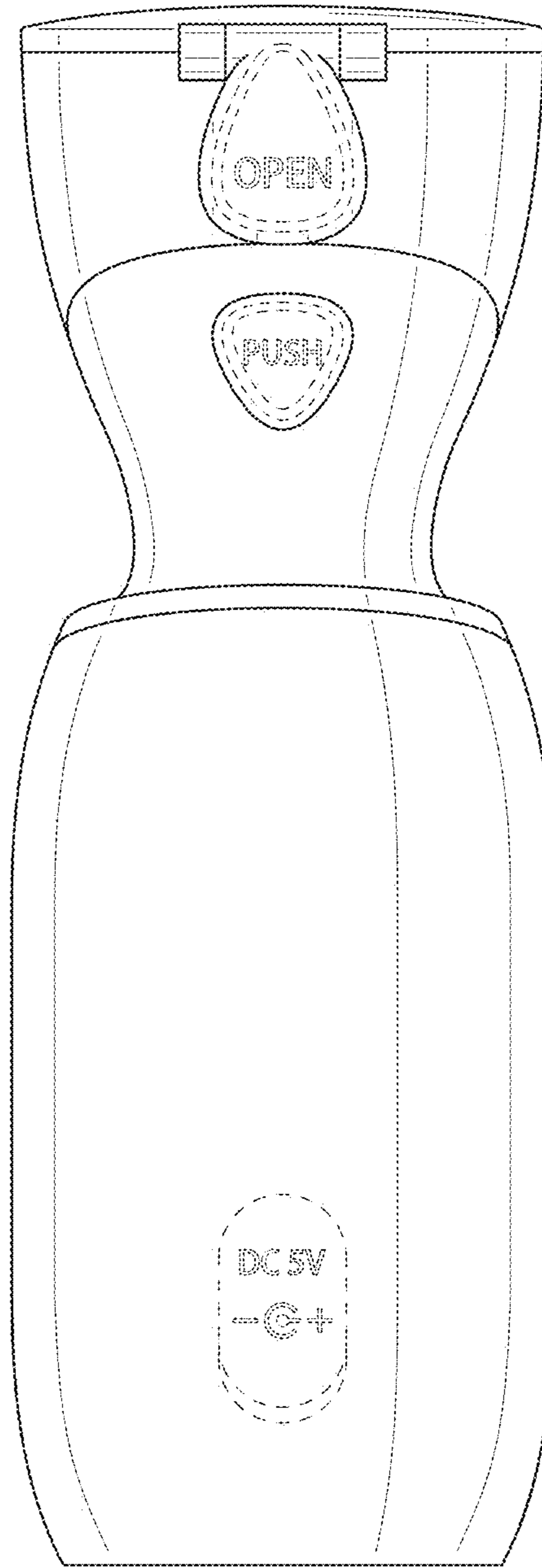


FIG. 3

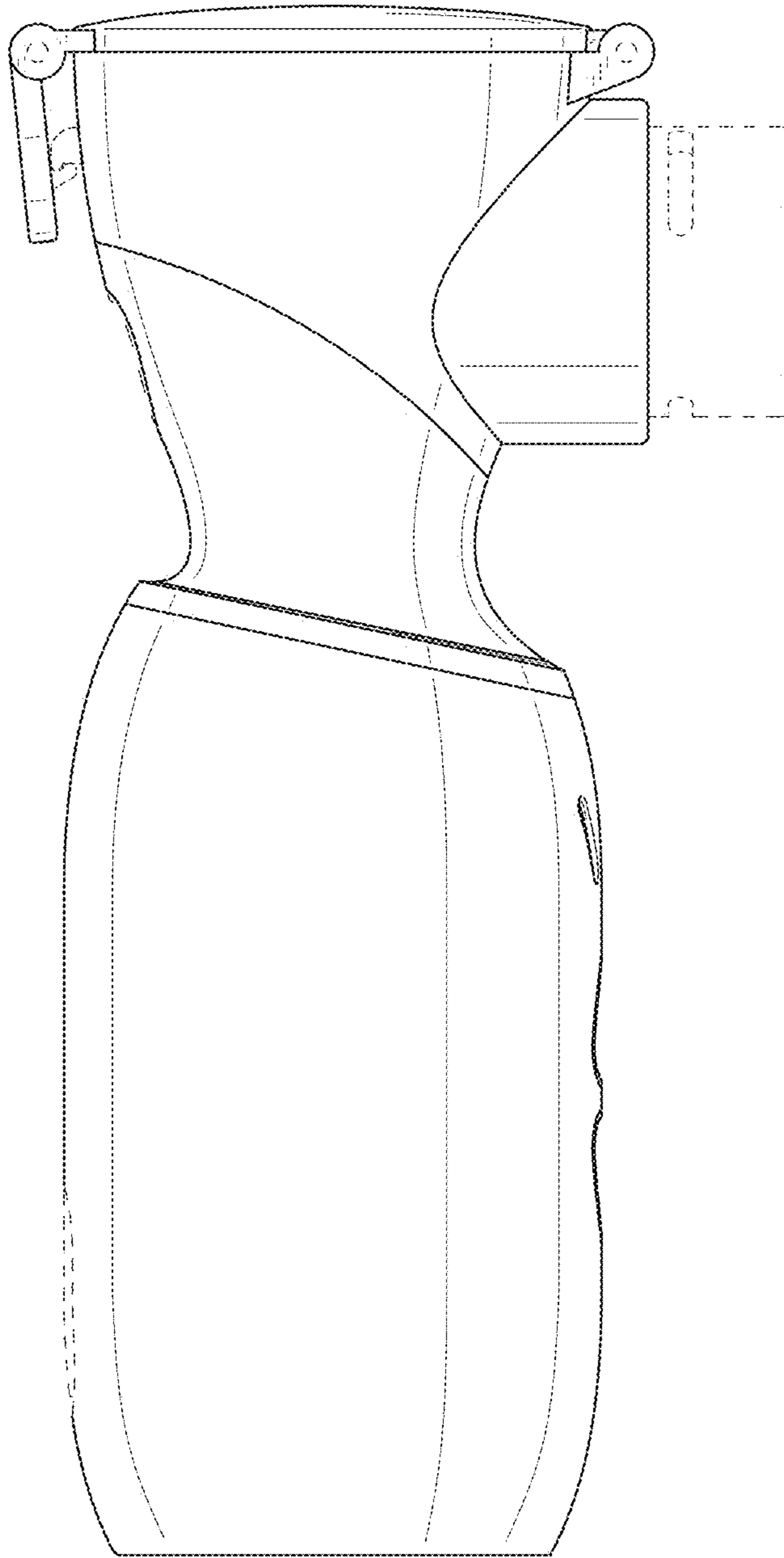


FIG. 4

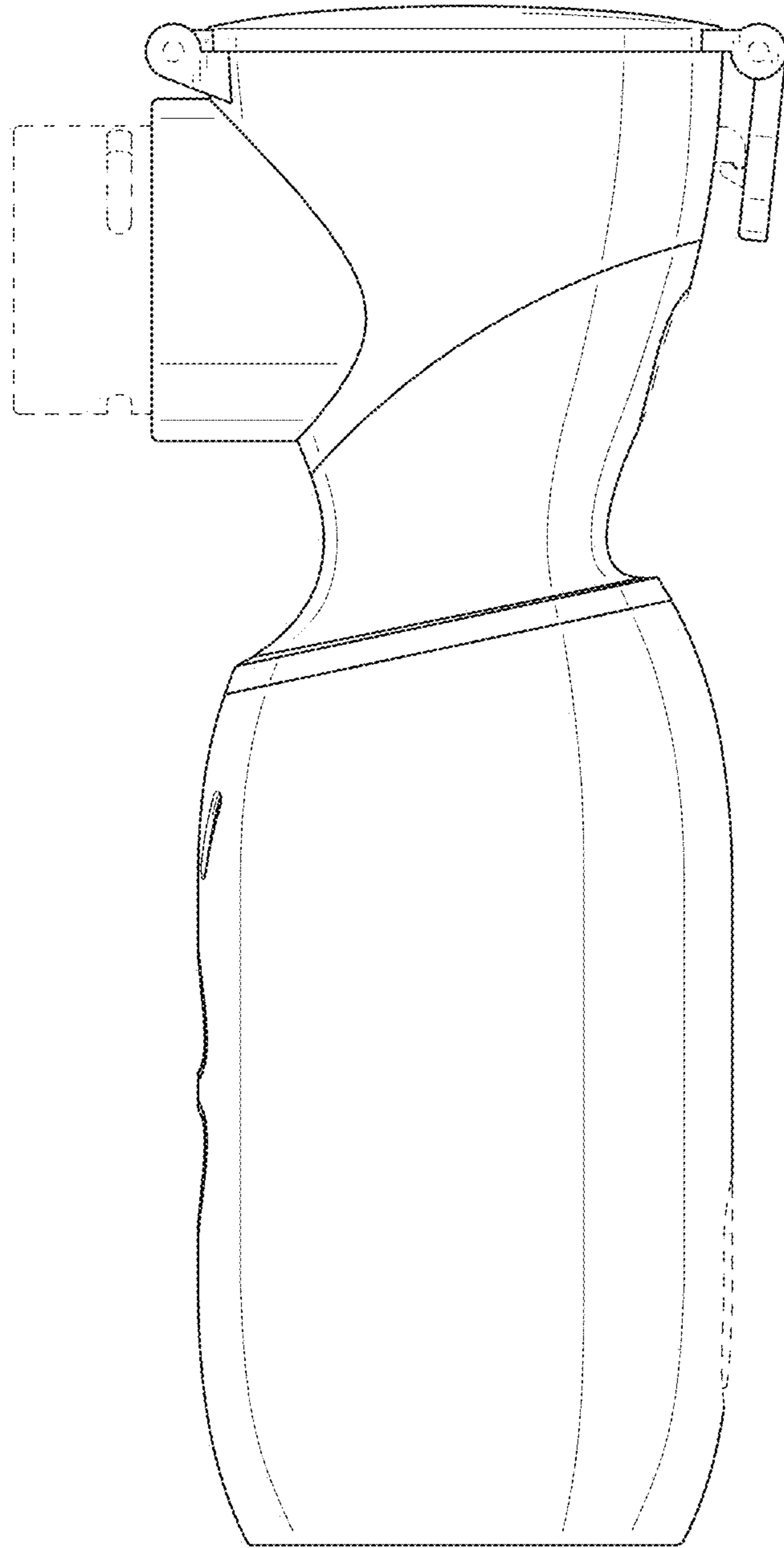


FIG. 5

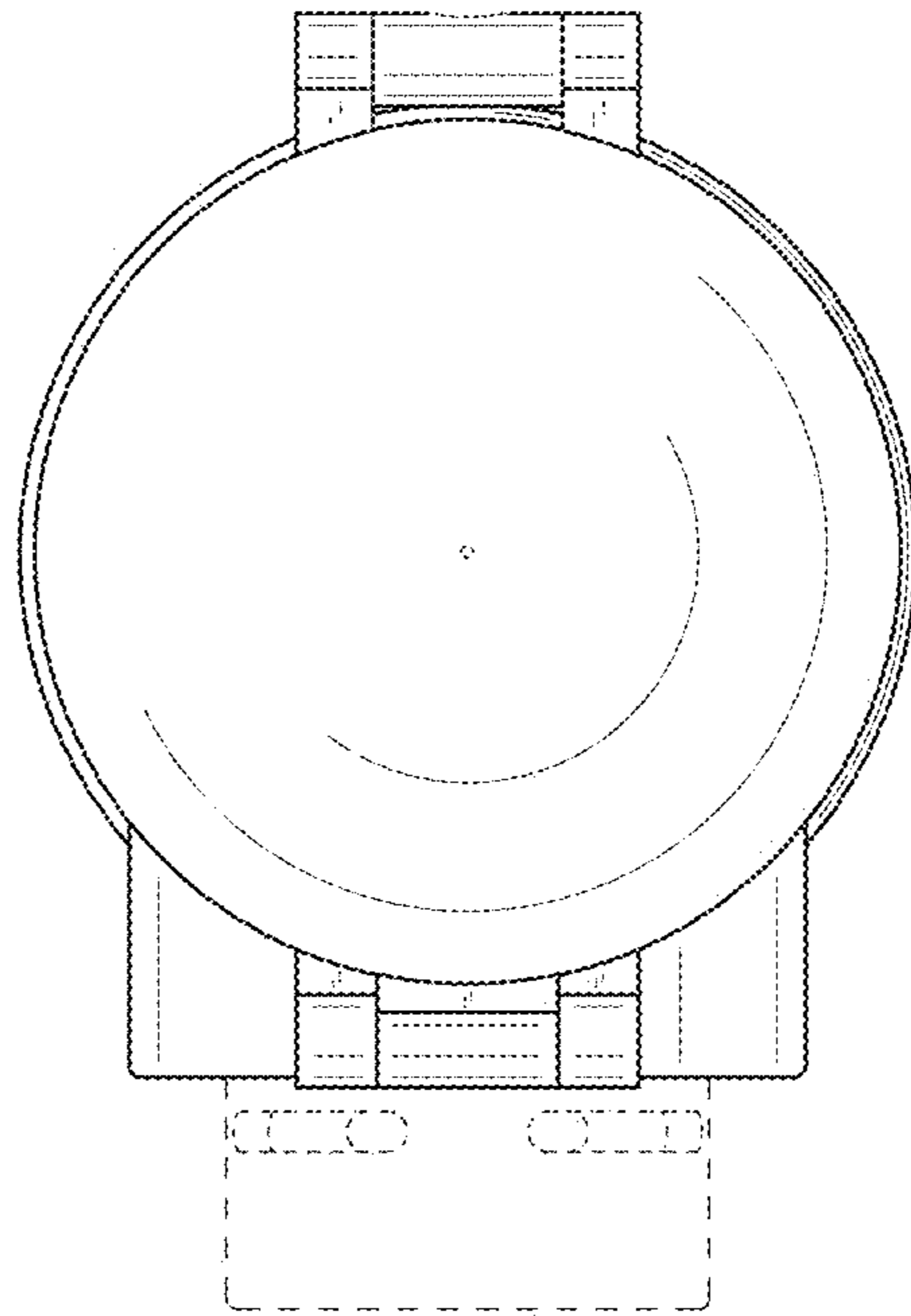


FIG. 6

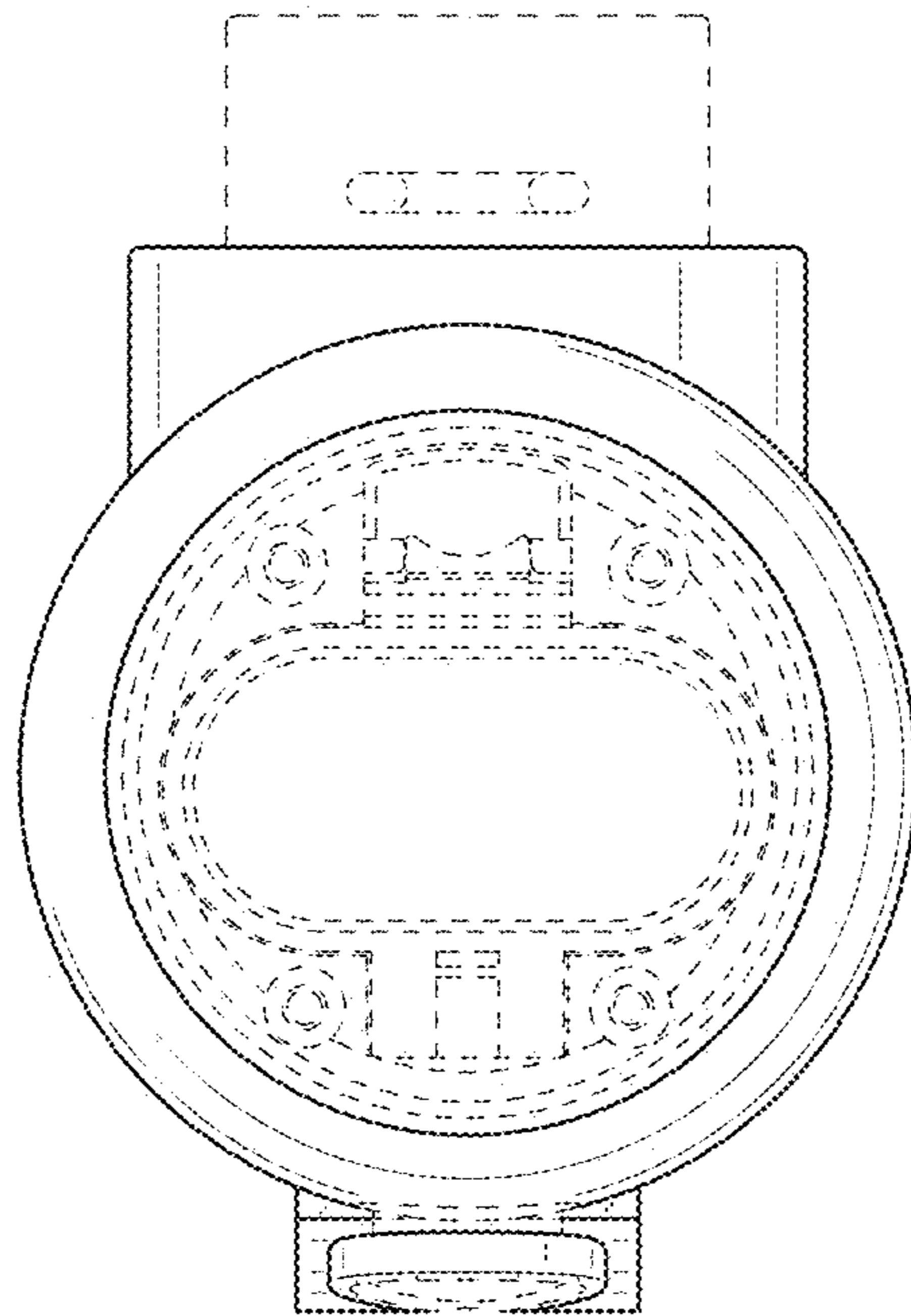


FIG. 7