



US00D950703S

(12) **United States Design Patent**
Malcolm et al.

(10) **Patent No.:** **US D950,703 S**
(45) **Date of Patent:** **** May 3, 2022**

- (54) **FAN**
- (71) Applicant: **O2COOL, LLC**, Chicago, IL (US)
- (72) Inventors: **Spencer Malcolm**, Chicago, IL (US);
Li Yigang, Zhongshan (CN)
- (73) Assignee: **O2COOL, LLC**, Chicago, IL (US)
- (**) Term: **15 Years**
- (21) Appl. No.: **29/755,506**
- (22) Filed: **Oct. 21, 2020**
- (51) **LOC (13) Cl.** **23-04**
- (52) **U.S. Cl.**
USPC **D23/382**
- (58) **Field of Classification Search**
USPC D23/328, 332-333, 335-337, 351-352,
D23/364, 370, 378, 380, 381-383,
D23/411-414
CPC F04D 25/0673; F04D 25/08; F04D 25/084;
F04D 25/086; F04D 29/4226
See application file for complete search history.

- D760,370 S 6/2016 Herbst
- D855,787 S * 8/2019 Sakamoto D23/370
- D921,883 S * 6/2021 Israel D23/382
- D940,851 S * 1/2022 Schulzman D26/59

OTHER PUBLICATIONS

“Small Desk Fan,ZOTO Rechargeable Battery Operated Mini Table Fan with 3 Speeds, Portable Quiet USB Cooling Fan for Home, Office, Travel and Camping”, <https://www.amazon.com/ZOTO-Rechargeable-Battery-Operated-Portable/dp/B07PW8HLRC>, accessed Sep. 28, 2020.

* cited by examiner

Primary Examiner — Sharon S Oum

(74) *Attorney, Agent, or Firm* — Thompson Coburn LLP

(57) **CLAIM**

The ornamental design for a fan, as shown and described.

DESCRIPTION

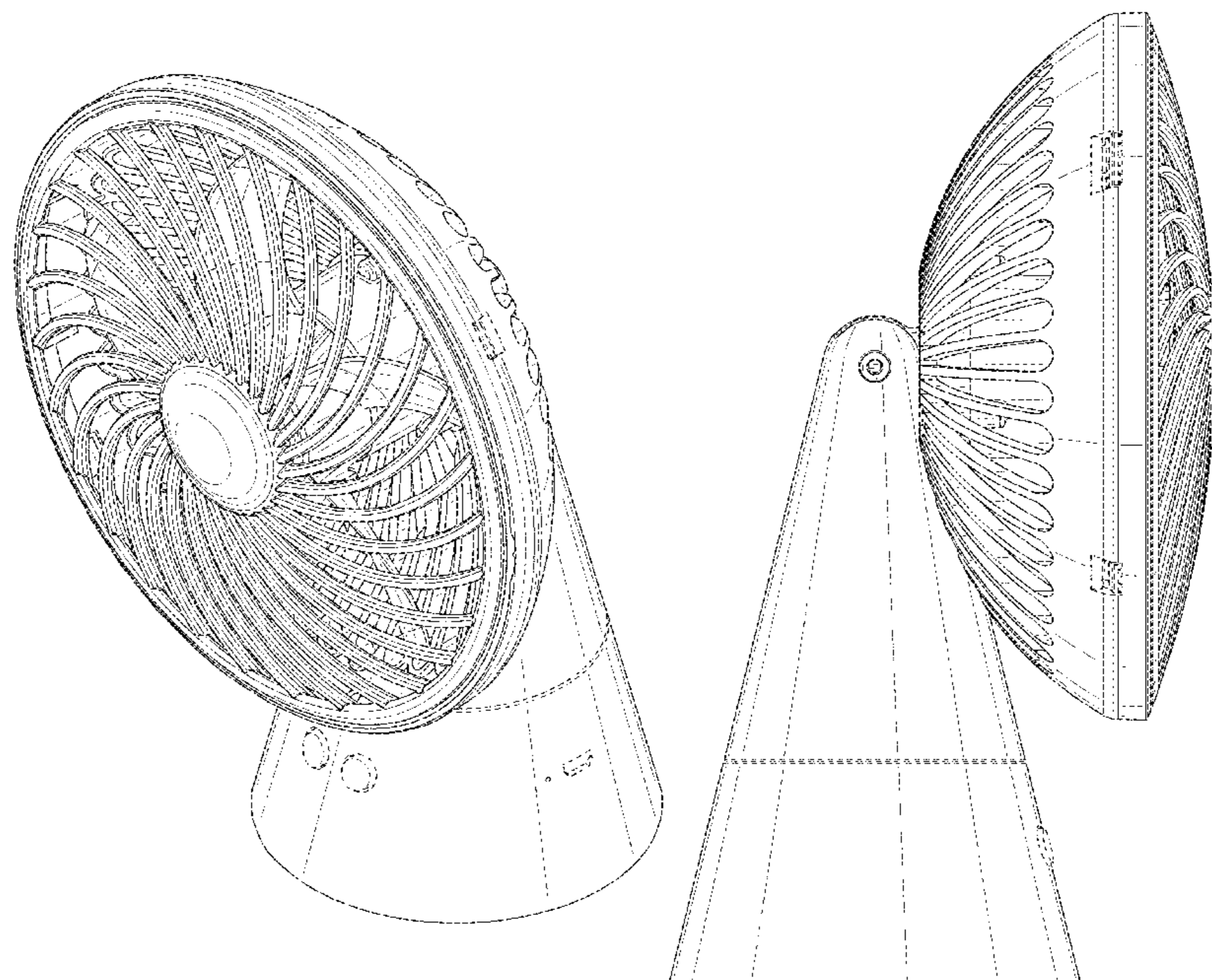
FIG. 1 is a first perspective view of the fan showing our new design;
 FIG. 2 is a second perspective view thereof;
 FIG. 3 is a front view thereof;
 FIG. 4 is a rear view thereof;
 FIG. 5 is a left side view thereof;
 FIG. 6 is a right side view thereof;
 FIG. 7 is a top view thereof; and,
 FIG. 8 is a bottom view thereof.
 The broken lines immediately adjacent the shaded areas represent the bounds of the claimed design while all other broken lines are directed to portions of the fan; the broken lines form no part of the claimed design.

1 Claim, 8 Drawing Sheets

(56) **References Cited**

U.S. PATENT DOCUMENTS

- D539,402 S * 3/2007 Blateri D23/336
- D565,721 S 4/2008 Chen
- D597,195 S 7/2009 Zhuang
- D610,672 S 2/2010 Xiao
- D674,476 S * 1/2013 Junkel D23/370
- D675,310 S 1/2013 Zhu et al.
- D684,249 S 6/2013 Herbst
- D684,680 S 6/2013 Herbst
- D684,681 S 6/2013 Herbst
- D685,079 S 6/2013 Herbst
- D689,600 S 9/2013 Herbst
- D727,488 S * 4/2015 Hsu D23/382



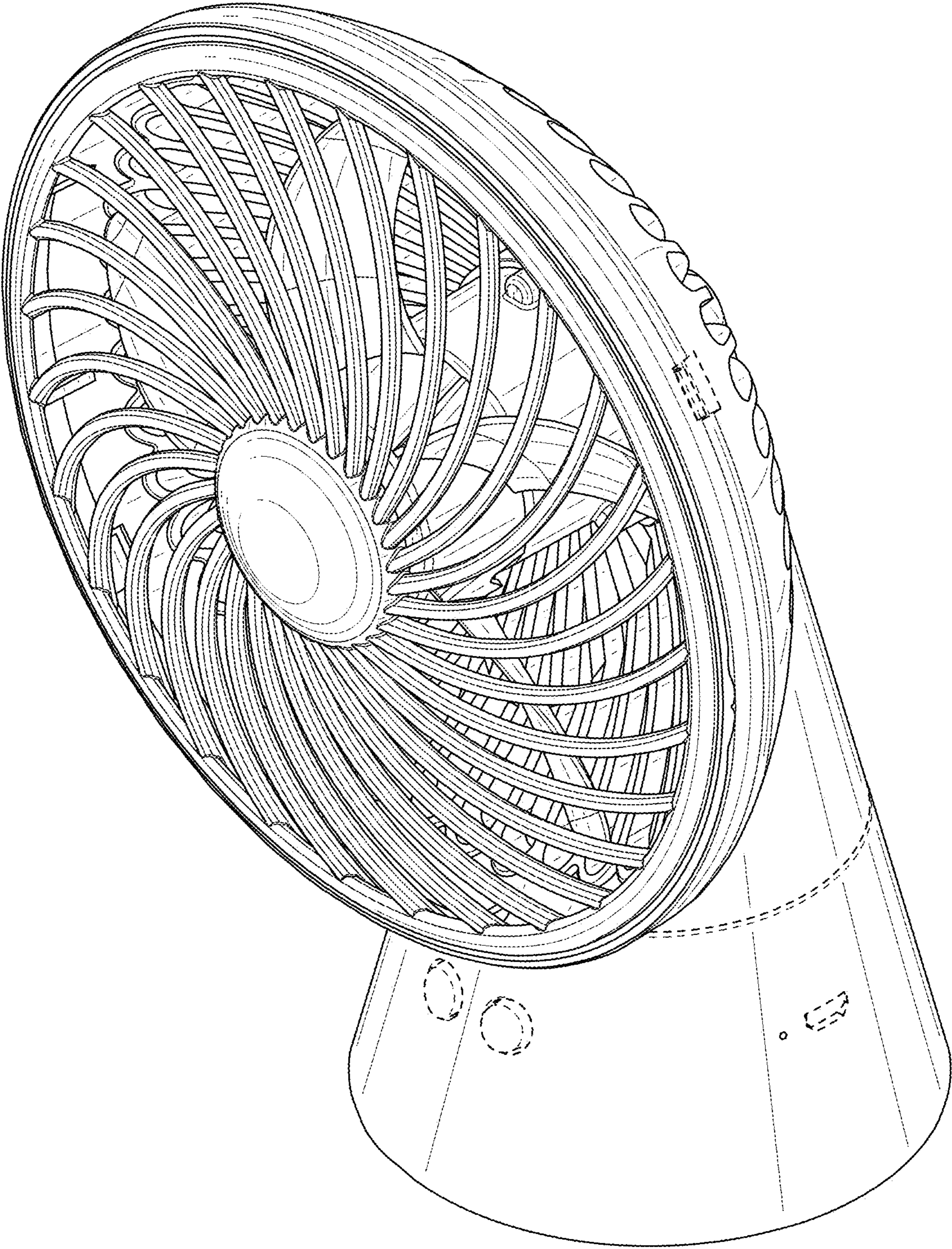


FIG. 1

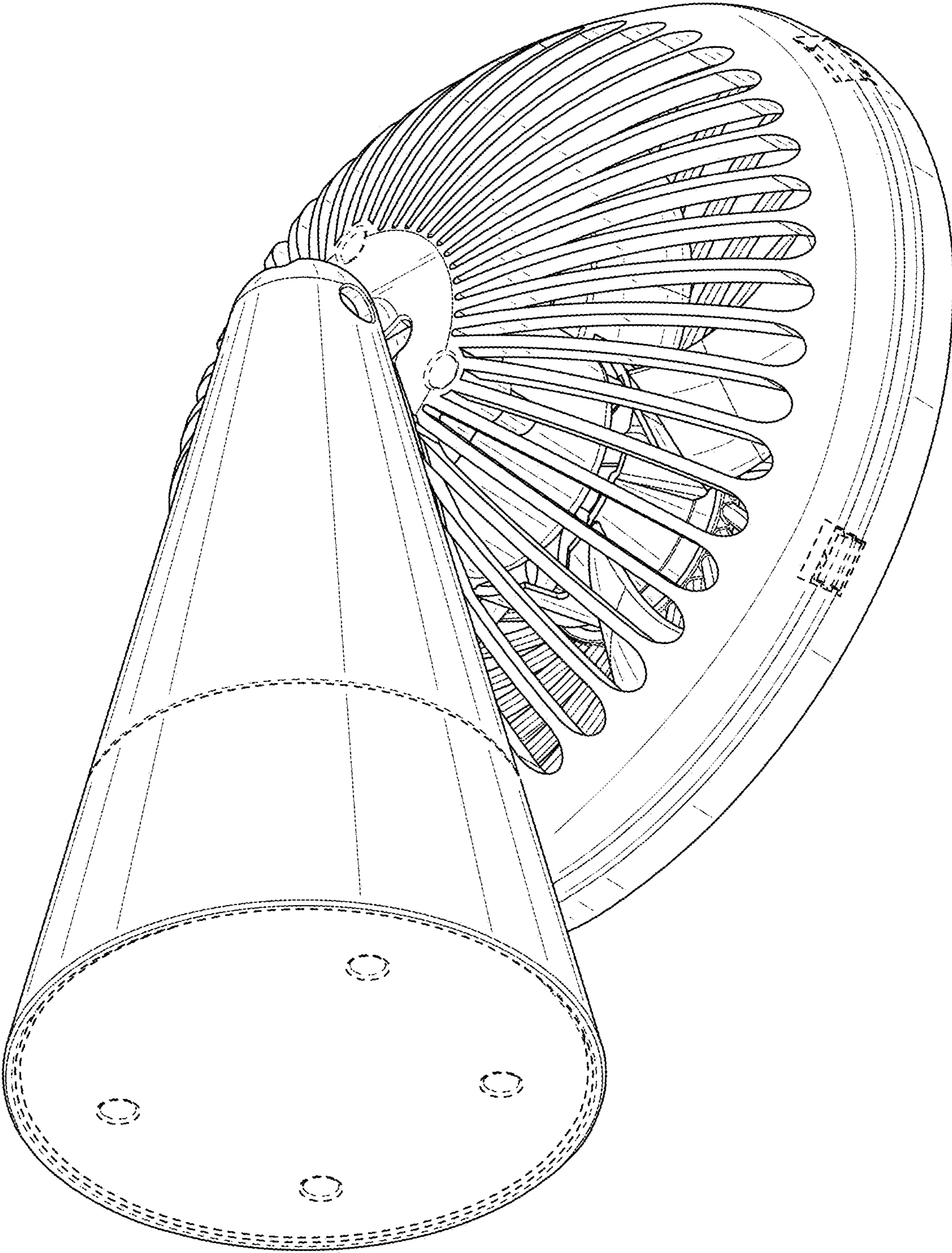


FIG. 2

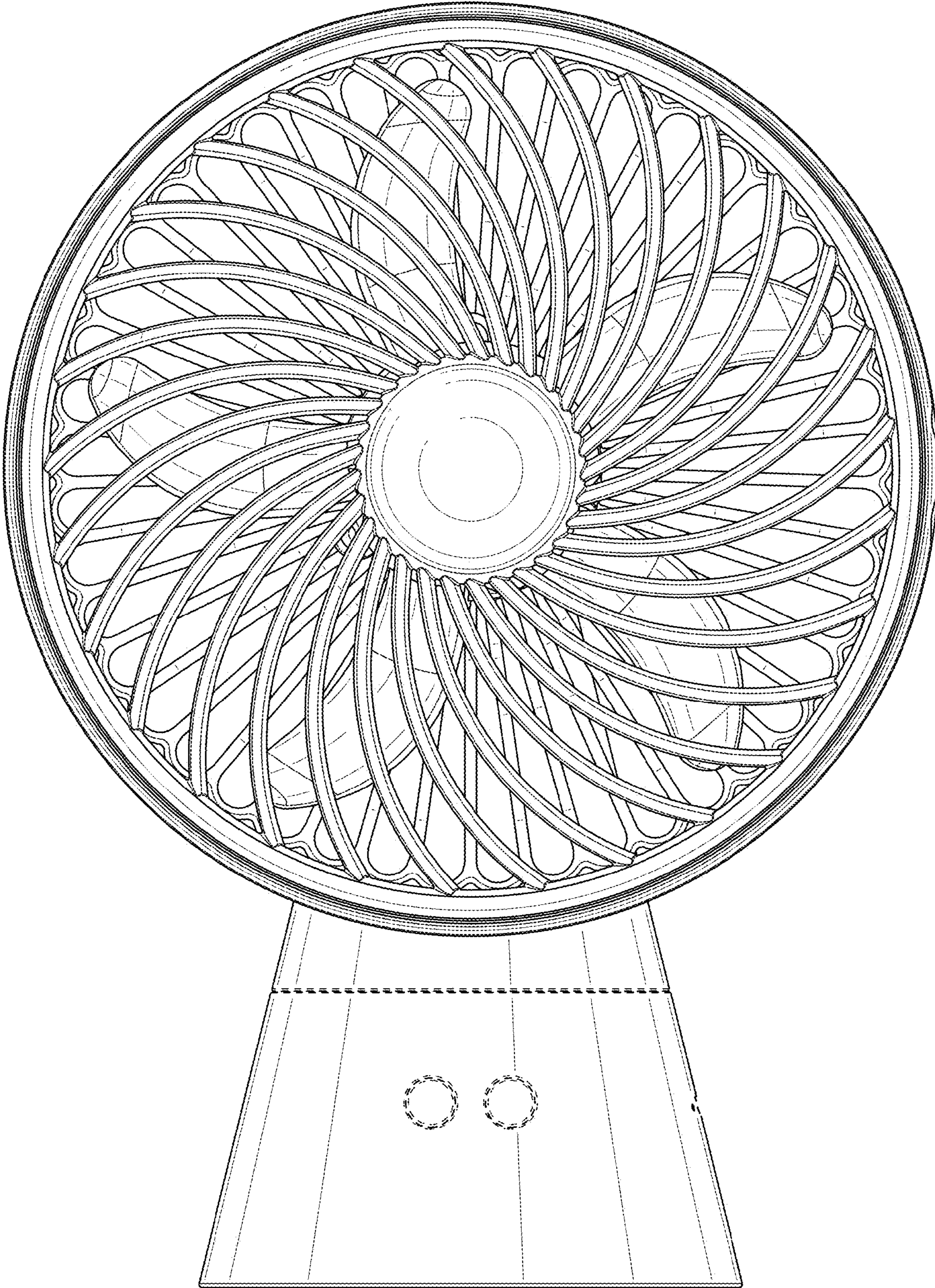


FIG. 3

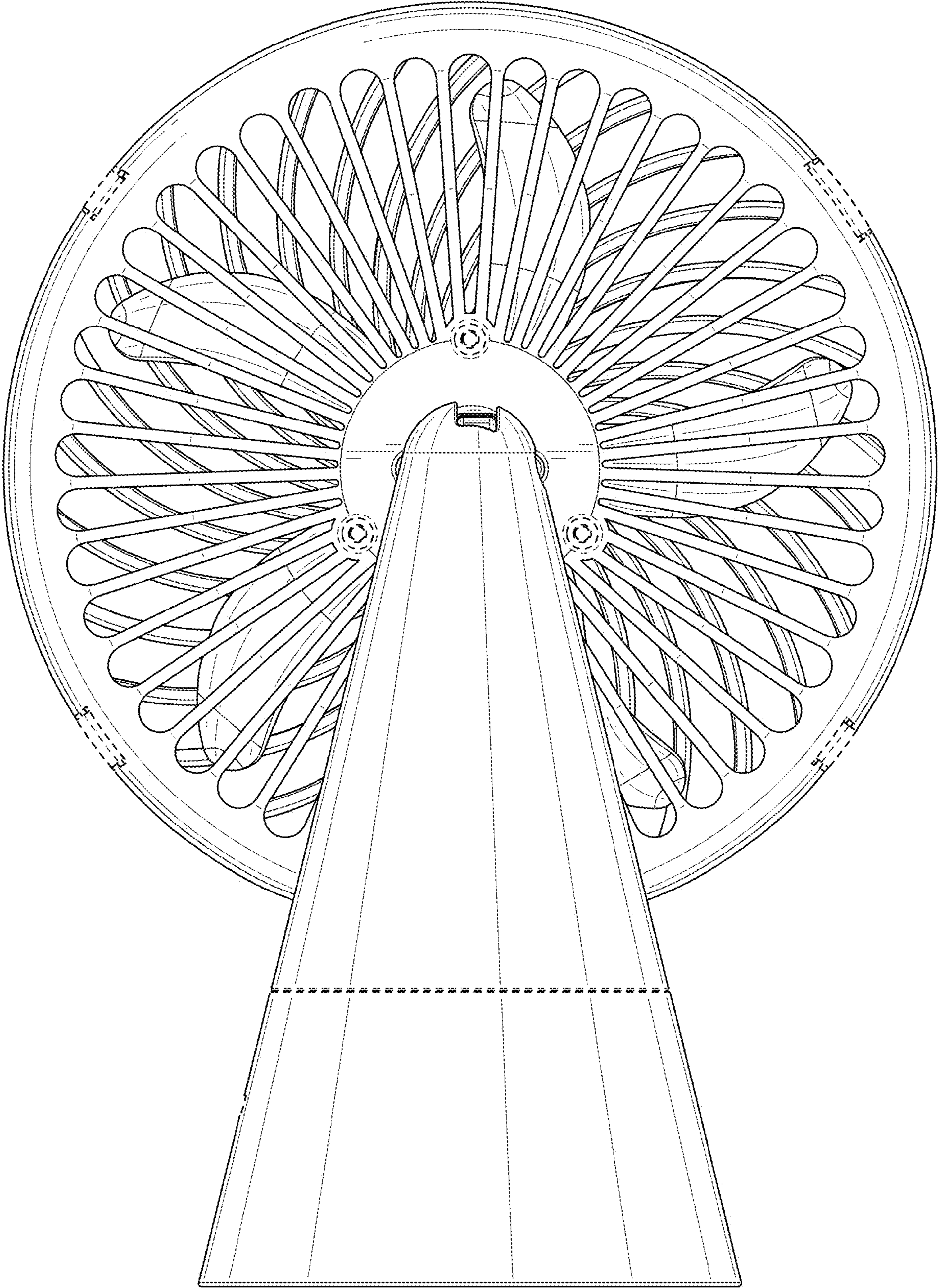


FIG. 4

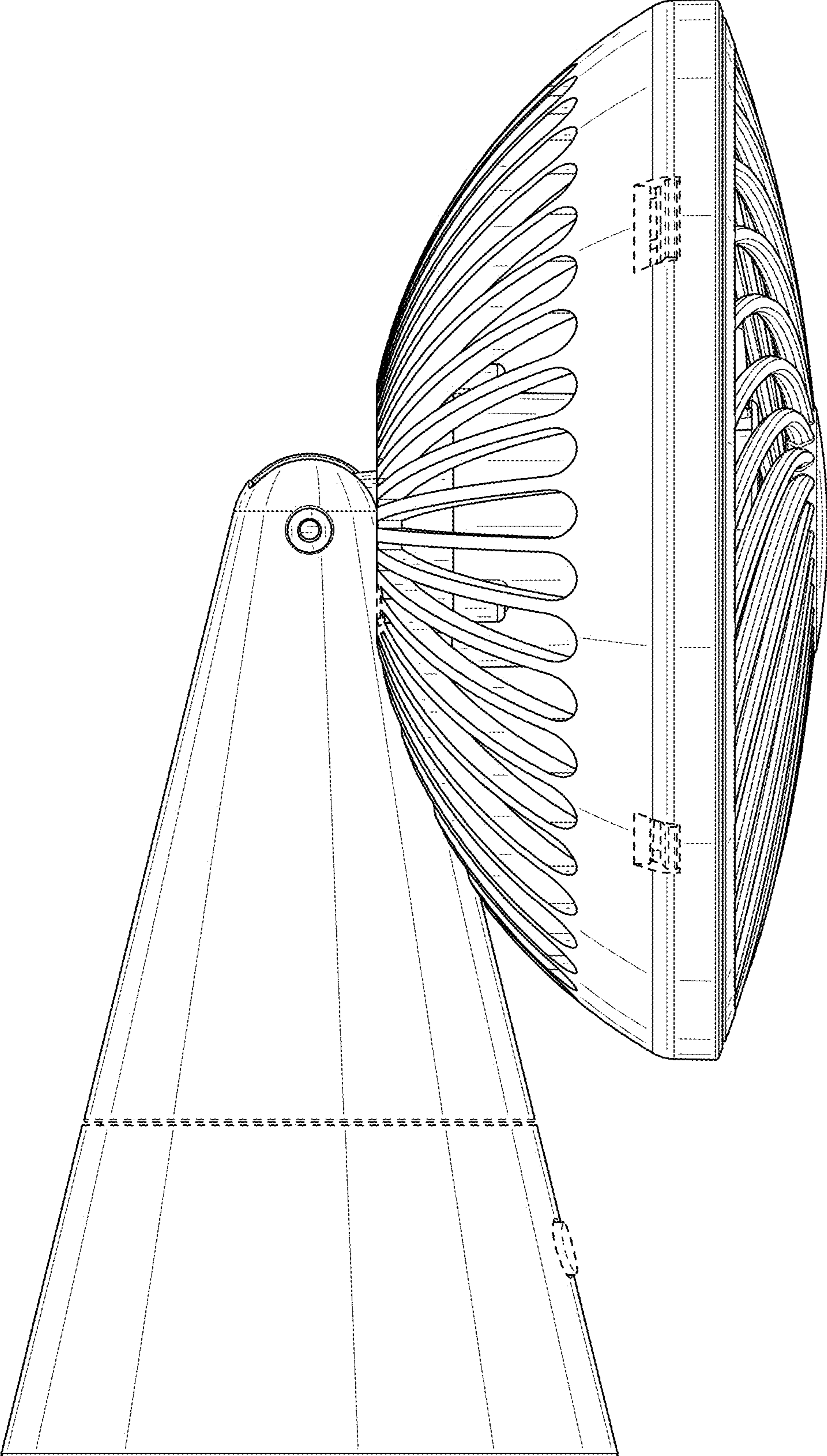


FIG. 5

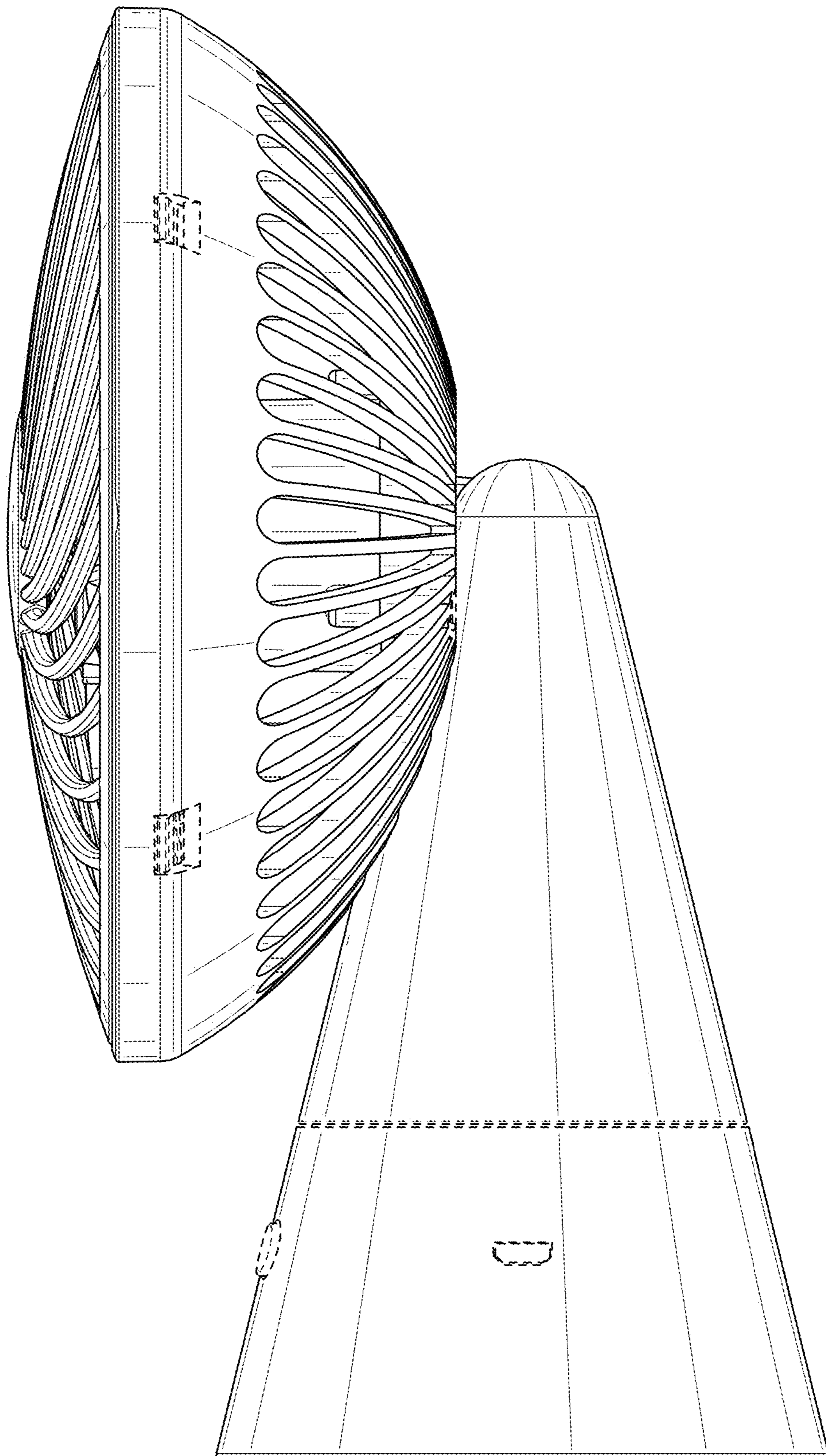


FIG. 6

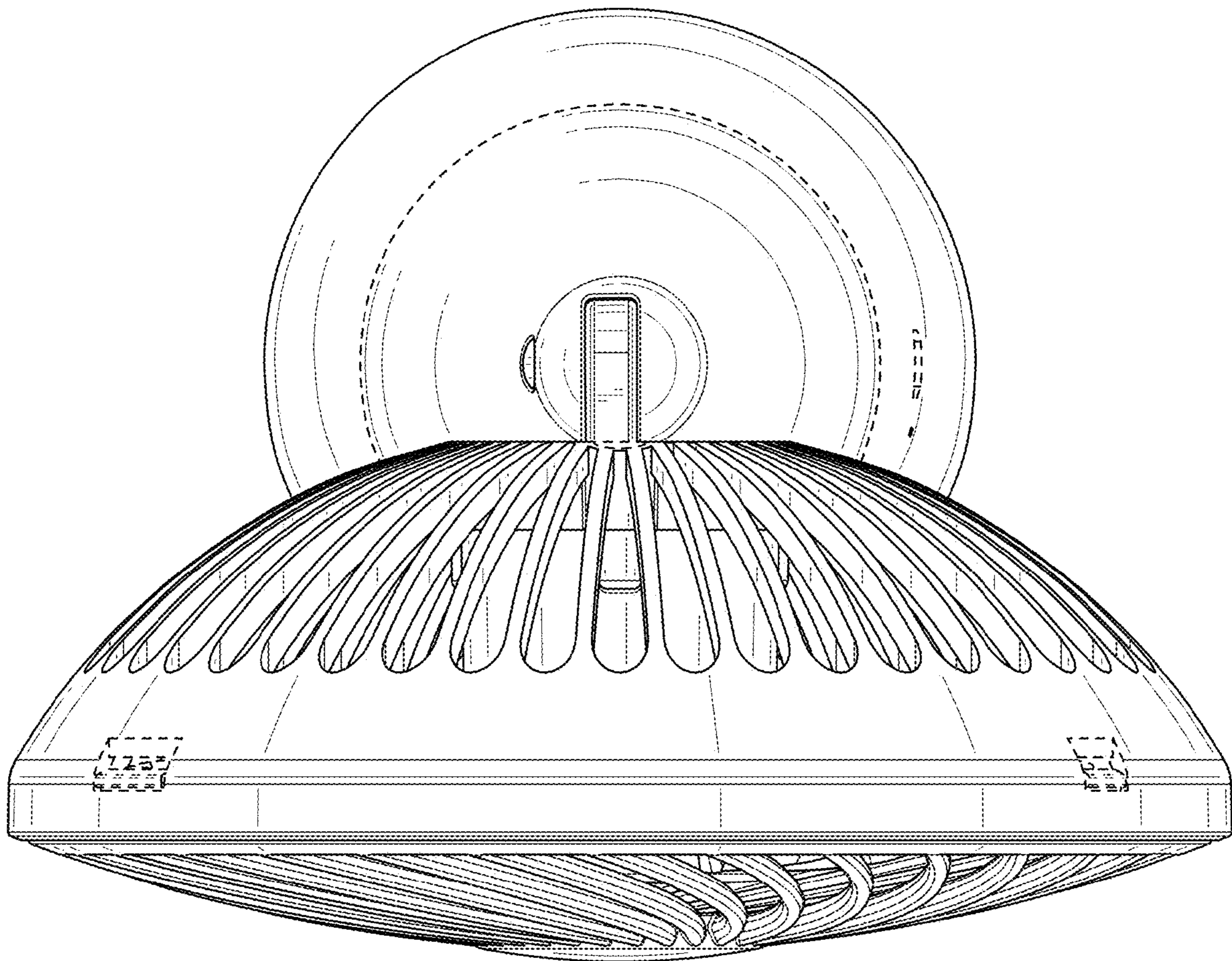


FIG. 7

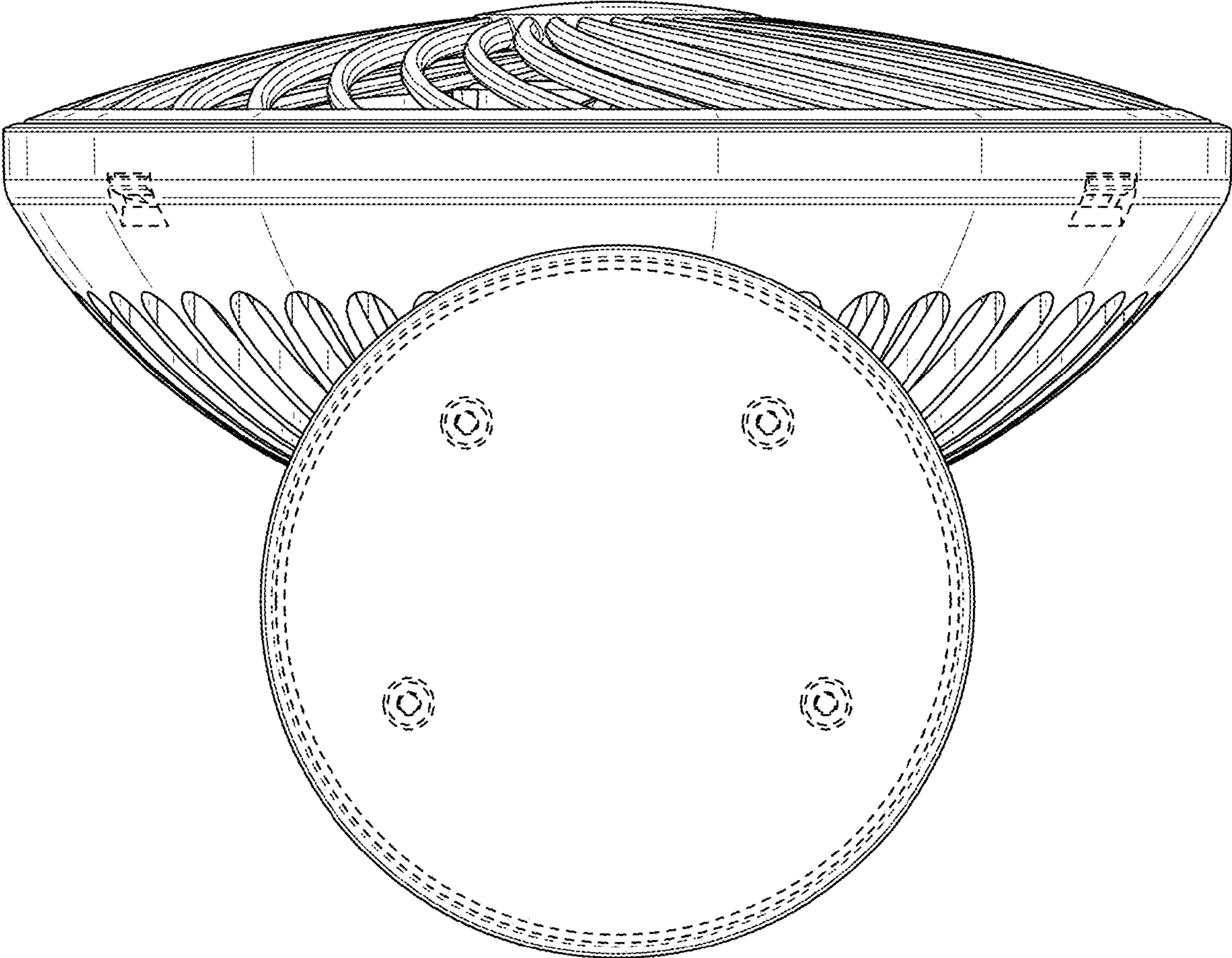


FIG. 8