



US00D950702S

(12) **United States Design Patent**  
**Zhu**

(10) **Patent No.:** **US D950,702 S**

(45) **Date of Patent:** **\*\* May 3, 2022**

- (54) **NECK FAN**
- (71) Applicant: **Guiping Zhu**, Guangzhou (CN)
- (72) Inventor: **Guiping Zhu**, Guangzhou (CN)
- (\*\*) Term: **15 Years**

(21) Appl. No.: **29/796,793**

(22) Filed: **Jun. 27, 2021**

(51) **LOC (13) Cl.** ..... **23-04**

(52) **U.S. Cl.**  
USPC ..... **D23/380**

(58) **Field of Classification Search**  
USPC ..... D23/370, 378-382, 411-414, 317, 328,  
D23/332, 333, 335-337, 342, 356, 360,  
D23/362; D28/12-19  
CPC .. F24F 2221/38; F04D 25/084; F04D 29/703;  
A42B 3/286  
See application file for complete search history.

(56) **References Cited**

**U.S. PATENT DOCUMENTS**

D862,679 S	10/2019	Zhou	
D884,201 S *	5/2020	Fang	D24/206
D890,354 S *	7/2020	Fang	D24/206
D903,086 S *	11/2020	Liu	D23/370
D919,074 S	5/2021	Cai	

D920,497 S *	5/2021	Li	D23/370
D925,028 S *	7/2021	Song	D23/370
D928,932 S *	8/2021	Li	D23/370
D936,819 S *	11/2021	Zhang	D23/380
D936,820 S *	11/2021	Yuan	D23/380
D943,067 S *	2/2022	Fan	D23/270
D944,953 S *	3/2022	Xu	D23/380
2017/0370596 A1 *	12/2017	Lee	F04D 25/084
2018/0064574 A1 *	3/2018	Adair	A61F 7/02
2020/0187574 A1 *	6/2020	Te Hsiang	A41D 13/0053
2021/0355960 A1 *	11/2021	Liu	F04D 25/084

\* cited by examiner

*Primary Examiner* — Janice Hallmark

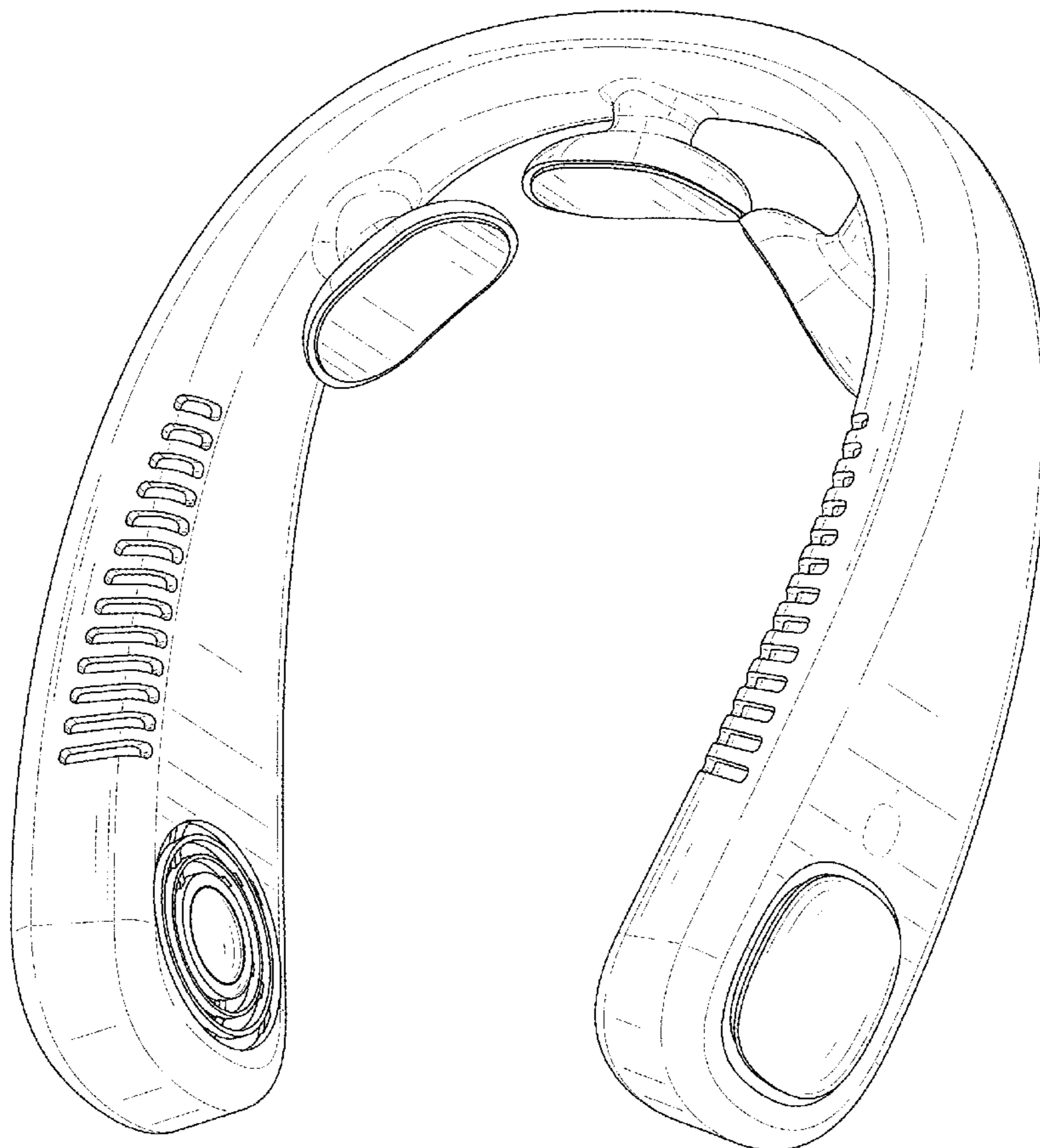
(57) **CLAIM**

The ornamental design for a neck fan, as shown and described.

**DESCRIPTION**

FIG. 1 is a perspective view of a neck fan showing my new design;  
FIG. 2 is another perspective view thereof;  
FIG. 3 is a front elevational view thereof;  
FIG. 4 is a rear elevational view thereof;  
FIG. 5 is a left side elevational view thereof;  
FIG. 6 is a right side elevational view thereof;  
FIG. 7 is a top plan view thereof; and,  
FIG. 8 is a bottom plan view thereof.  
The broken lines in the drawings depict portions of the neck fan that form no part of the claimed design.

**1 Claim, 8 Drawing Sheets**



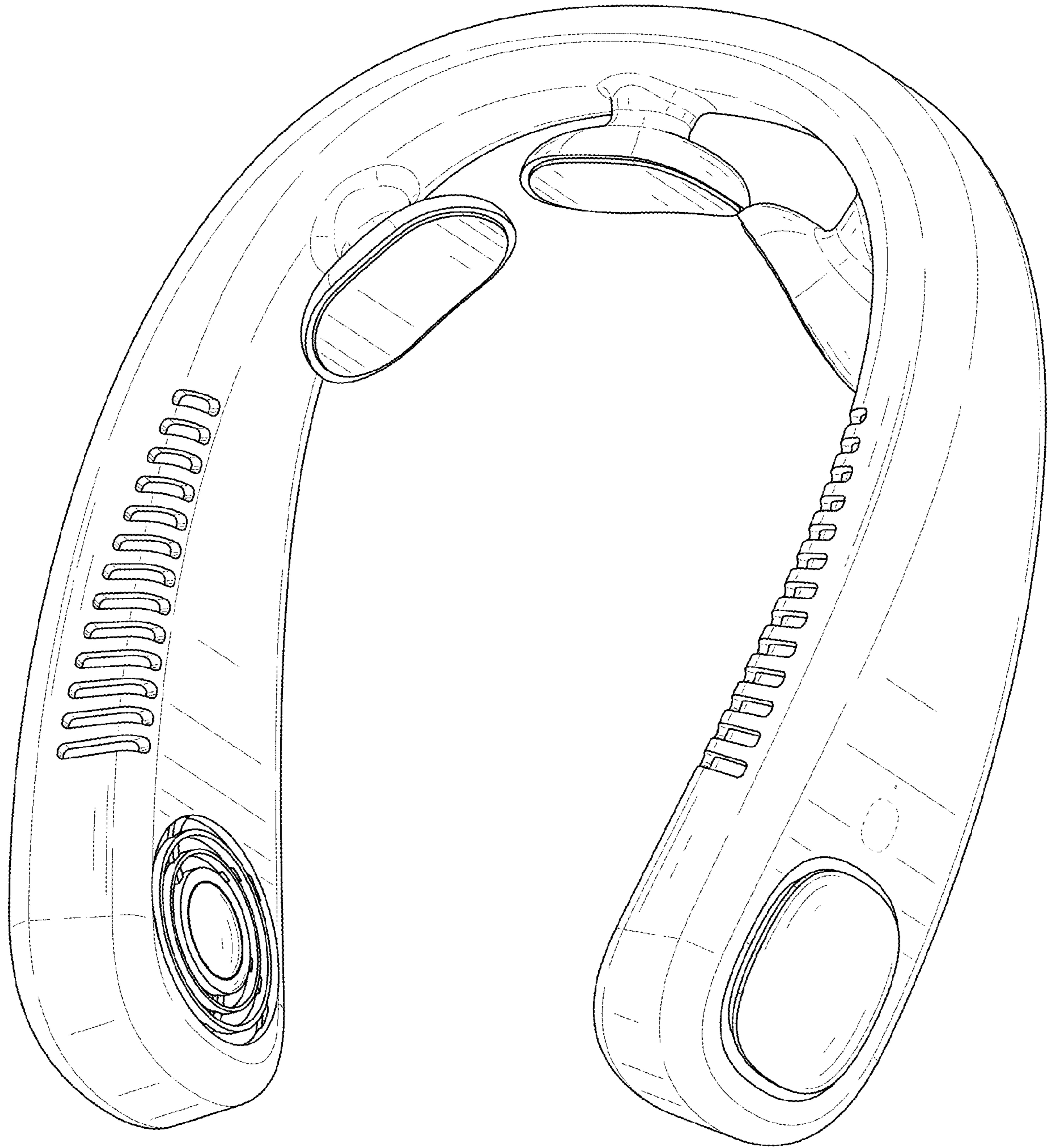


FIG. 1

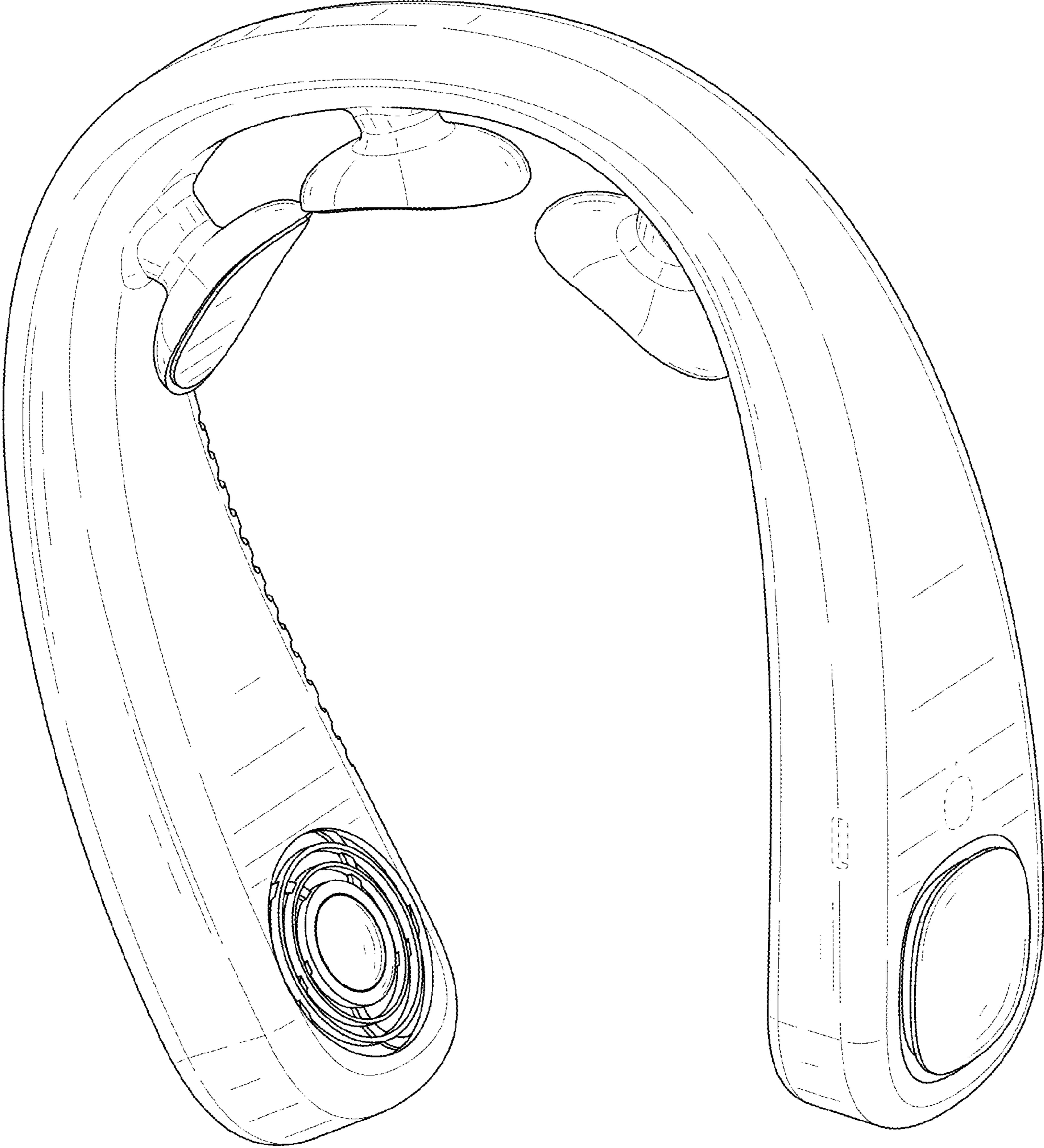


FIG. 2

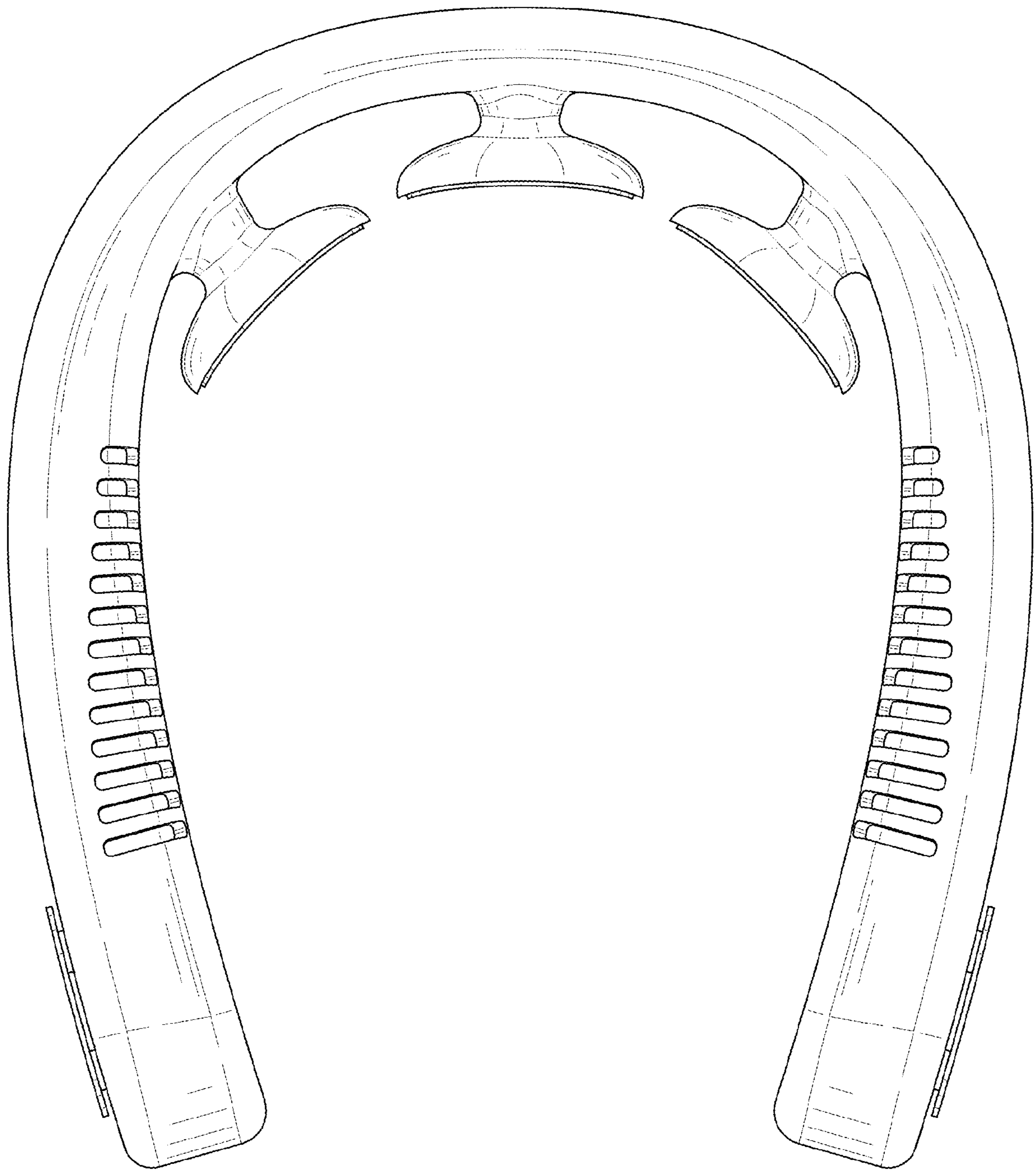


FIG. 3

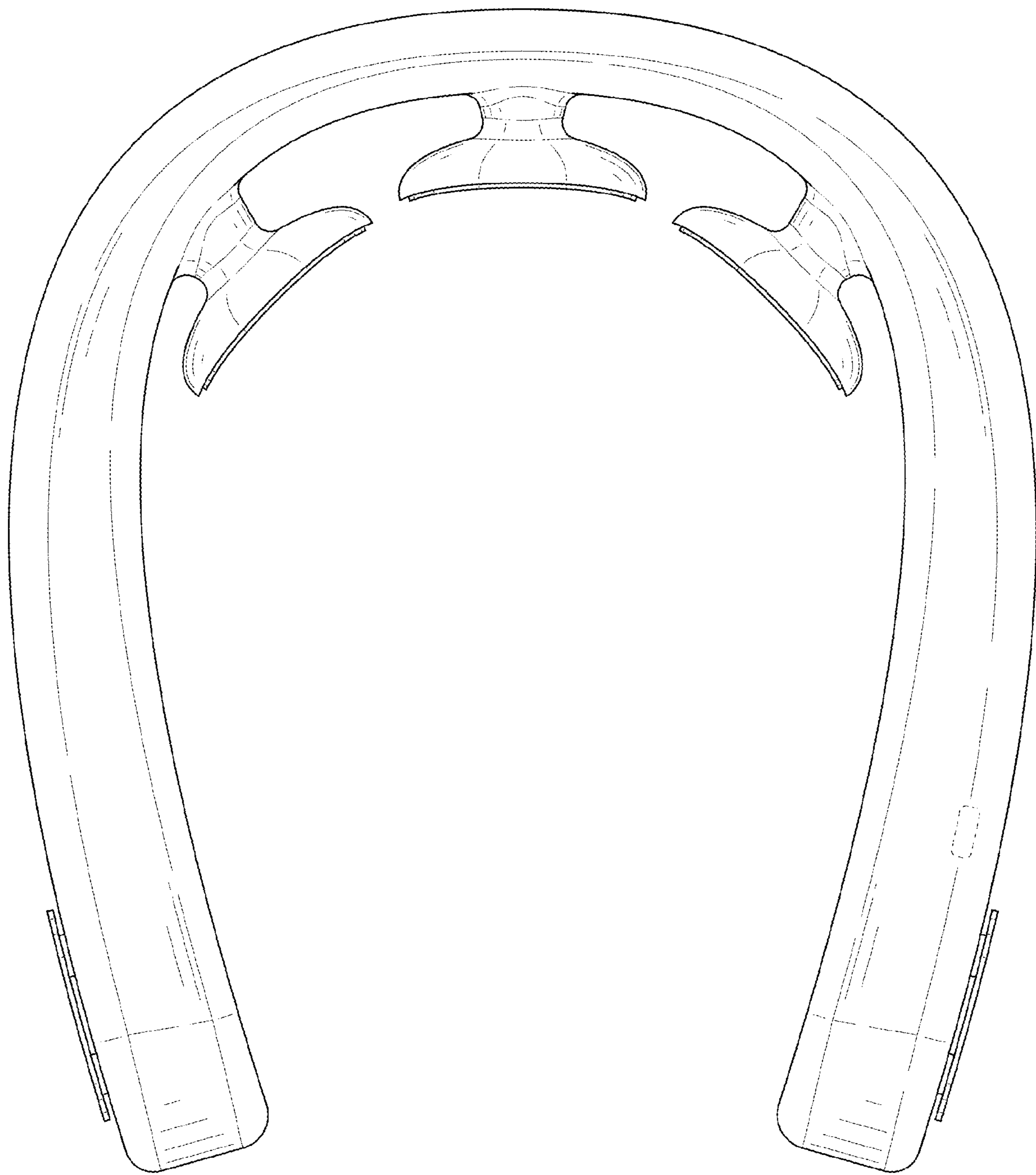


FIG. 4

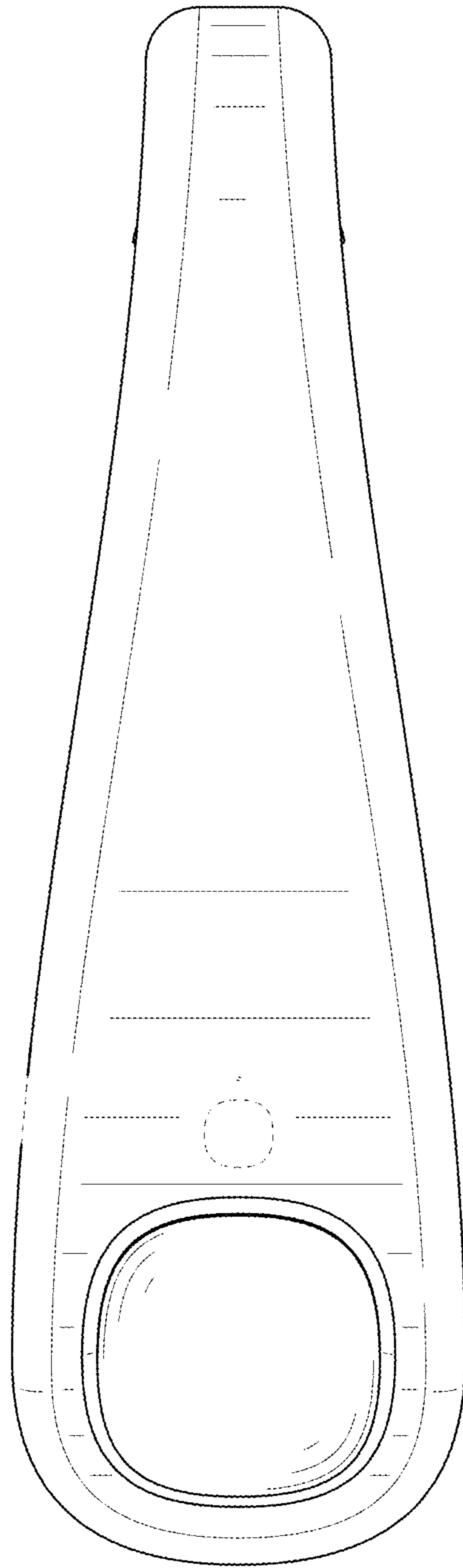


FIG. 5

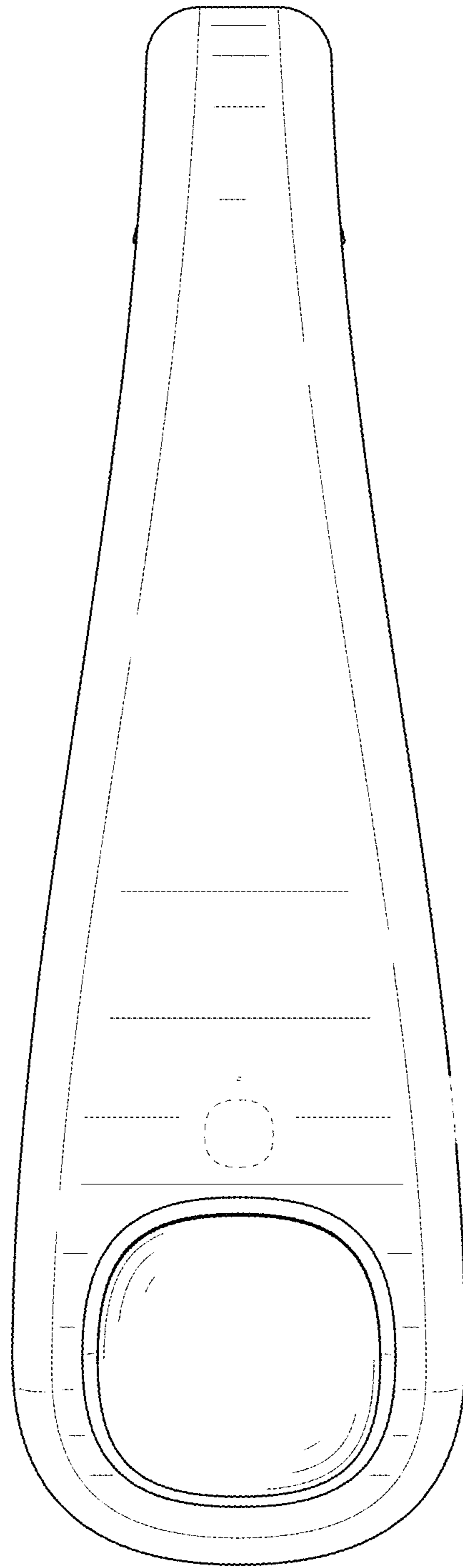


FIG. 6

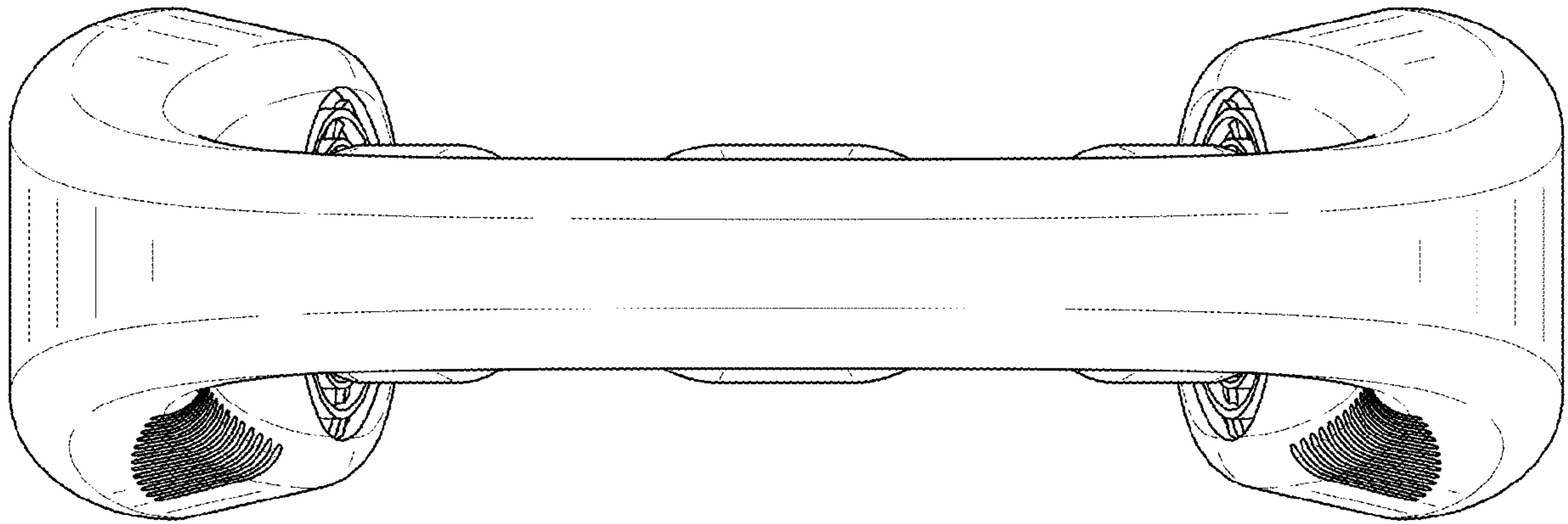


FIG. 7



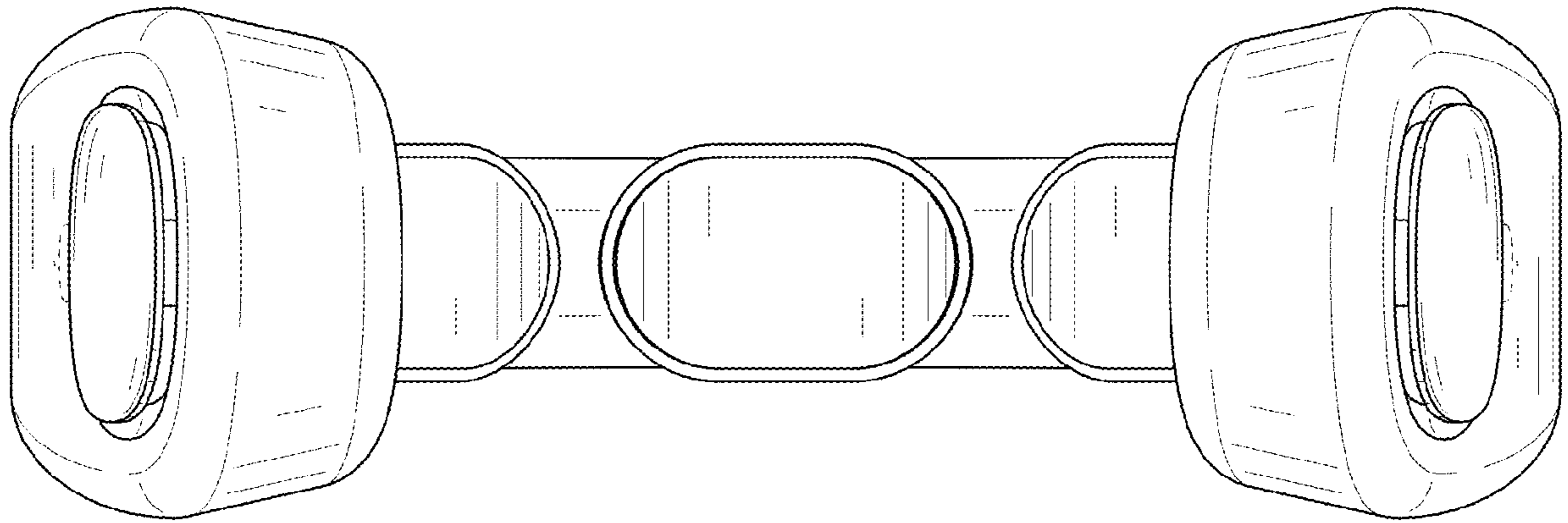


FIG. 8