



US00D950700S

(12) **United States Design Patent** (10) **Patent No.:** **US D950,700 S**  
**Cartwright et al.** (45) **Date of Patent:** **\*\* \*May 3, 2022**

- (54) **FAN**
- (71) Applicant: **VORNADO AIR, LLC**, Andover, KS (US)
- (72) Inventors: **Brian Cartwright**, Wichita, KS (US); **Byron Loibl**, Wichita, KS (US); **Glen Wesley Ediger**, North Newton, KS (US); **Gregory Pease**, Andover, KS (US)
- (73) Assignee: **Vornado Air, LLC**, Andover, KS (US)
- (\*) Notice: This patent is subject to a terminal disclaimer.
- (\*\*) Term: **15 Years**
- (21) Appl. No.: **29/722,818**
- (22) Filed: **Jan. 31, 2020**
- (51) **LOC (13) Cl.** ..... **23-04**
- (52) **U.S. Cl.**  
USPC ..... **D23/370**
- (58) **Field of Classification Search**  
USPC ..... D23/314, 351, 353, 354, 364, 366,  
D23/370-376, 378, 381, 383, 385, 388,  
D23/393, 395, 411, 412, 332, 333, 335,  
D23/337  
CPC ..... G06F 1/203; F04D 25/08; F04D 29/4246;  
F04D 25/088; F04D 29/388; F04D 29/34;  
F21V 33/0096  
See application file for complete search history.

(56) **References Cited**

U.S. PATENT DOCUMENTS

D33,429 S *	10/1900	Pancoast	.....	D23/370
D54,887 S *	4/1920	Boyd	.....	D23/335
D154,927 S *	8/1949	Jones	.....	D23/370
D159,008 S *	6/1950	Seil et al.	.....	D23/337
D219,588 S *	12/1970	Laupot	.....	D23/370

D256,501 S *	8/1980	Glucksman	.....	D23/335
D267,971 S *	2/1983	Harrison	.....	D23/337
D279,704 S *	7/1985	Tofte	.....	D23/314
D290,997 S *	7/1987	Utsuki	.....	D23/342
D291,594 S *	8/1987	Norman	.....	D23/366
D320,648 S *	10/1991	Velazquez	.....	D23/335
D352,774 S *	11/1994	Godfrey	.....	D23/335
D372,527 S *	8/1996	Radtke	.....	D23/381
D382,048 S *	8/1997	Bennett	.....	D23/332
D382,950 S *	8/1997	Kruger	.....	D23/332
D402,359 S *	12/1998	Wang	.....	D23/328
D430,661 S *	9/2000	Doczy	.....	D23/351
D434,131 S *	11/2000	Fok	.....	D23/381
D437,397 S *	2/2001	Ching	.....	D23/335
D574,480 S *	8/2008	Hsu	.....	D23/411
D715,913 S *	10/2014	Schouten	.....	A61L 9/12 D23/366
9,501,111 B1 *	11/2016	Huang	.....	F04D 29/601
D818,110 S *	5/2018	Ediger	.....	D23/411

(Continued)

Primary Examiner — Sharon S Oum

(74) Attorney, Agent, or Firm — Avyno Law P.C

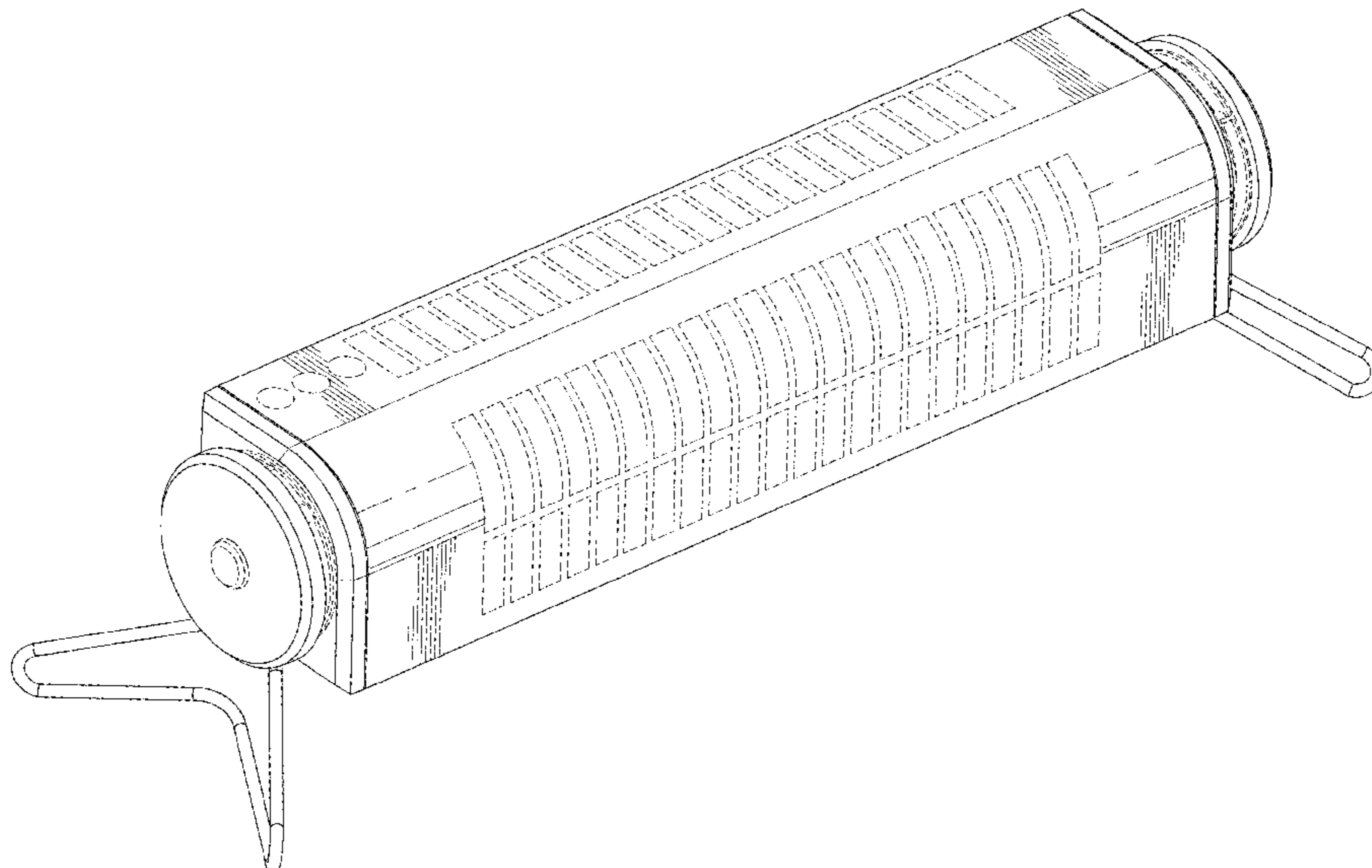
(57) **CLAIM**

We claim the ornamental design for a fan, as shown and described.

**DESCRIPTION**

FIG. 1 is a front perspective view of a fan of the present invention.  
 FIG. 2 is a bottom perspective view of the fan of FIG. 1.  
 FIG. 3 is a rear elevation view of the fan of FIG. 1.  
 FIG. 4 is a front elevation view of the fan of FIG. 1.  
 FIG. 5 is a side elevation view of the left side of the fan of FIG. 1.  
 FIG. 6 is a side elevation view of the right side of the fan of FIG. 1.  
 FIG. 7 is a top plan view of the fan of FIG. 1; and,  
 FIG. 8 is a bottom plan view of the fan of FIG. 1.  
 In the drawings, the broken lines depict portions of the fan that form no part of the claimed design.

**1 Claim, 7 Drawing Sheets**



(56)

**References Cited**

U.S. PATENT DOCUMENTS

D884,858 S \* 5/2020 Zhang ..... D23/333  
D900,293 S \* 10/2020 Ediger ..... D23/370

\* cited by examiner

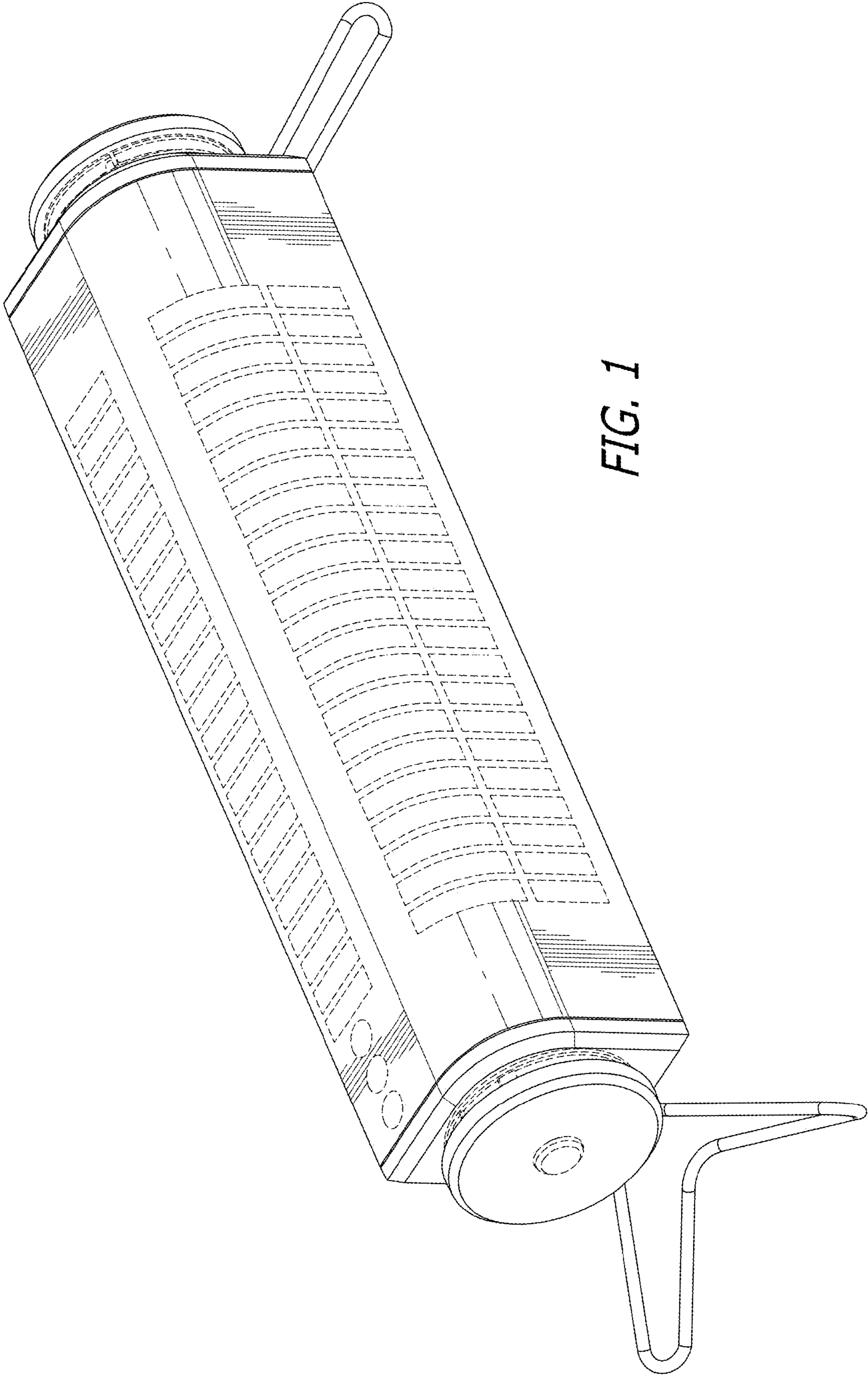


FIG. 1

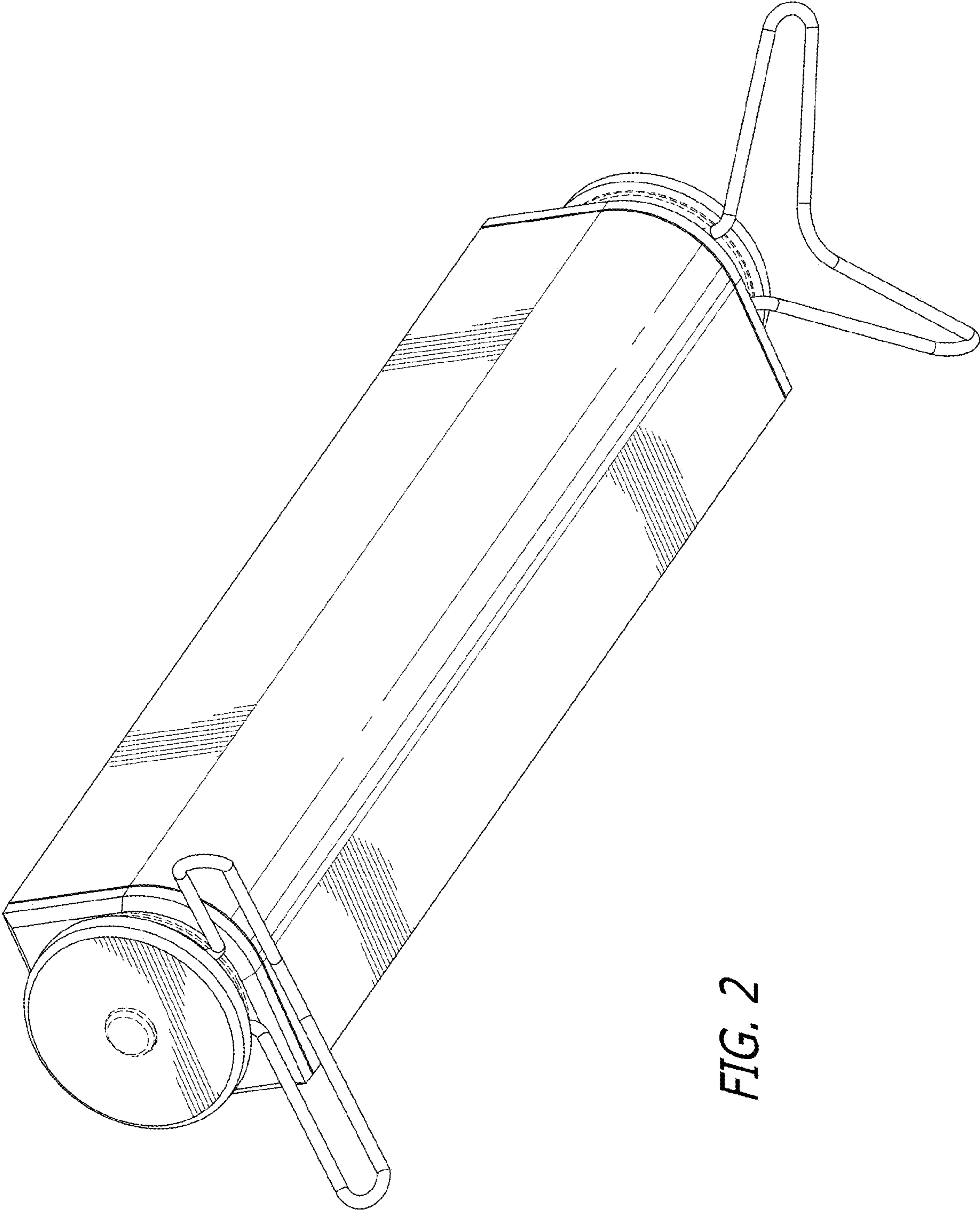


FIG. 2

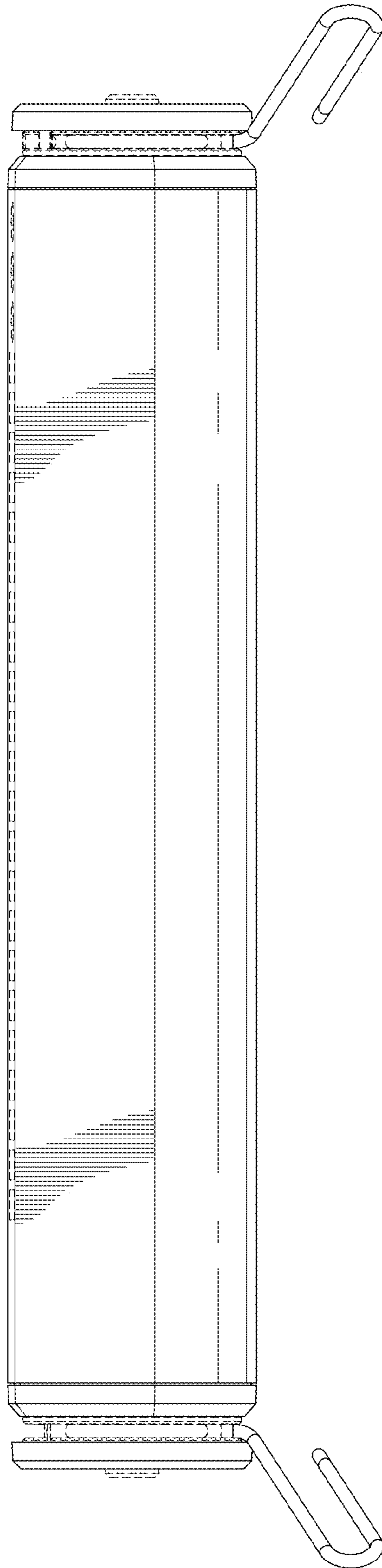


FIG. 3

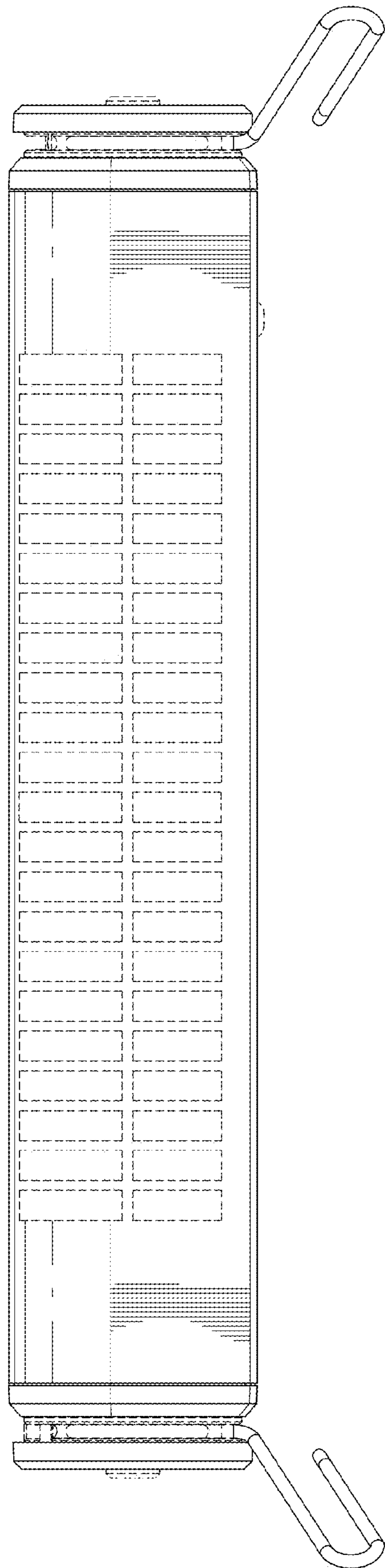
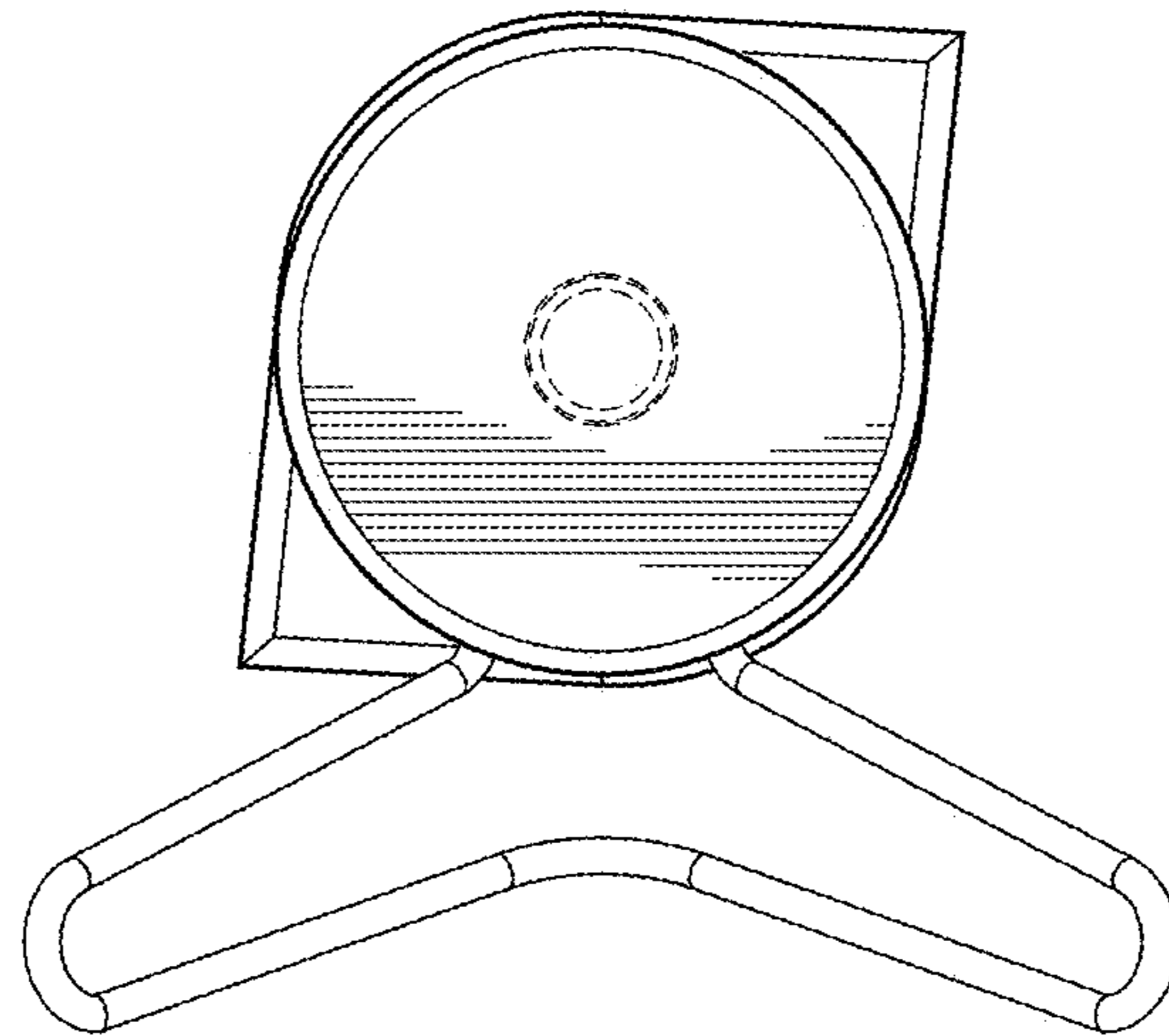
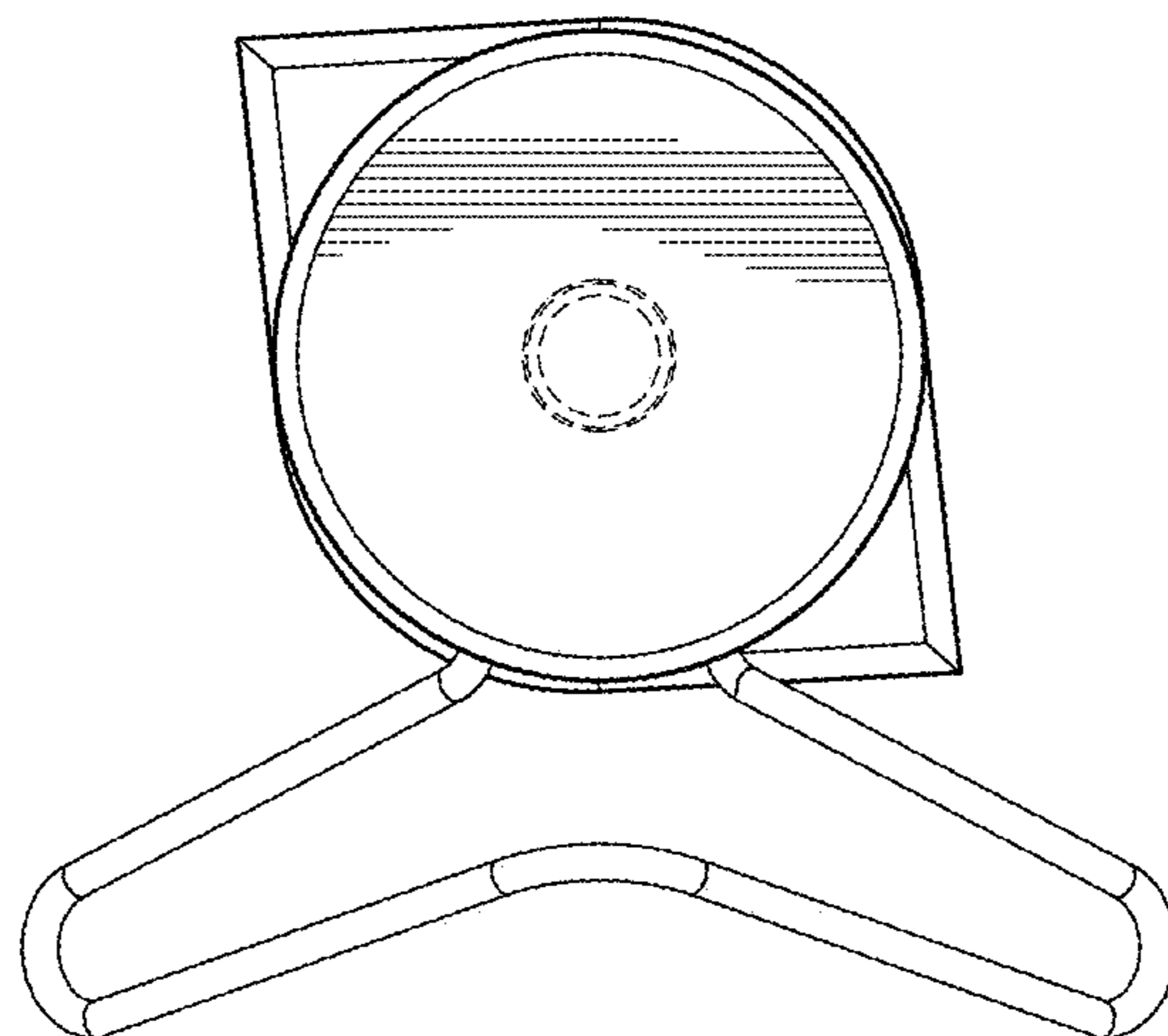


FIG. 4



*FIG. 5*



*FIG. 6*

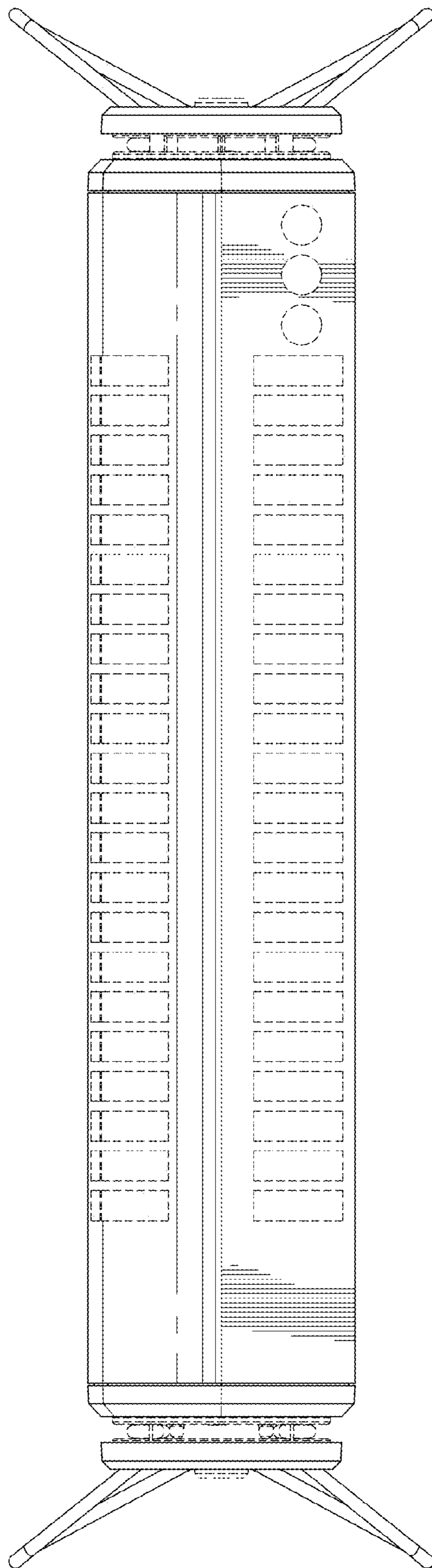


FIG. 7



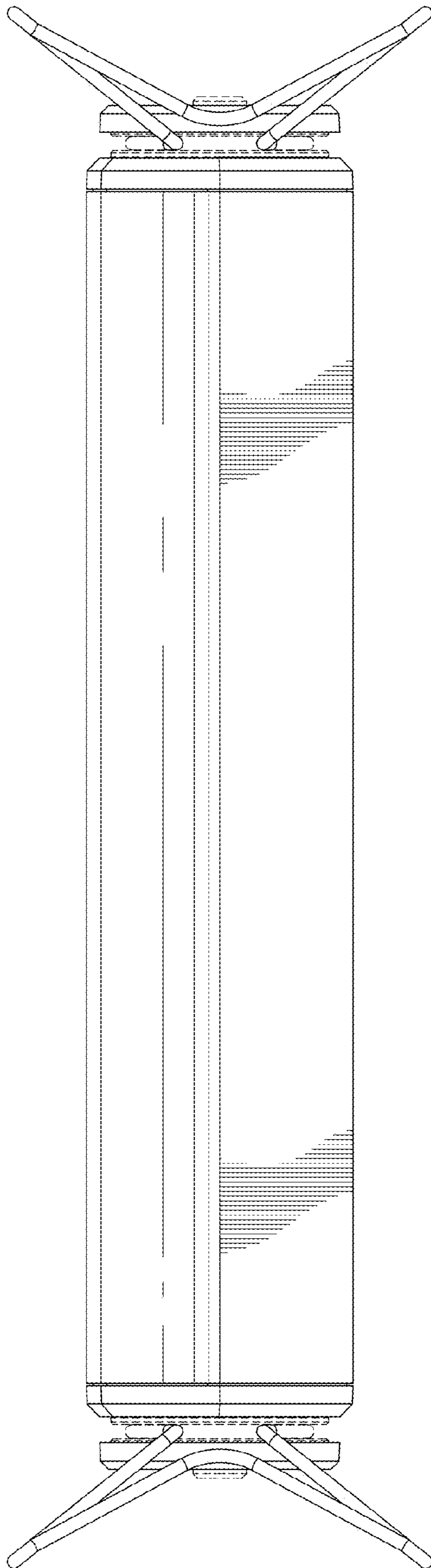


FIG. 8